



US00D734176S

(12) **United States Design Patent**
Isaacs et al.

(10) **Patent No.:** **US D734,176 S**
(45) **Date of Patent:** **** Jul. 14, 2015**

(54) **WRIST-WORN DISPLAY**

(71) Applicant: **Motorola Mobility LLC**, Libertyville, IL (US)
(72) Inventors: **Dickon Isaacs**, Chicago, IL (US); **Daniel T Berg**, Antioch, IL (US); **Chad E Davis**, Chicago, IL (US); **Steve E Emmert**, McHenry, IL (US); **Thomas E Gitzinger**, Libertyville, IL (US); **James E Wicks**, Lake Bluff, IL (US)

(73) Assignee: **Motorola Mobility LLC**, Chicago, IL (US)

(**) Term: **14 Years**

(21) Appl. No.: **29/446,331**

(22) Filed: **Feb. 22, 2013**

(51) **LOC (10) Cl.** **10-02**

(52) **U.S. Cl.**
USPC **D10/30; D10/38; D14/138 R; D14/344**

(58) **Field of Classification Search**
USPC **D10/30-39; 368/276, 281, 282; D14/344, 138 R**
CPC **G04B 37/0008; G04B 37/00; G04G 17/00; G04G 17/08; G04G 9/00; G04G 9/0017; G04G 9/107; G04C 3/00; G04C 3/002**
See application file for complete search history.

(56) **References Cited**

U.S. PATENT DOCUMENTS

3,800,525 A * 4/1974 Bergey 368/69
3,935,701 A * 2/1976 Yamauchi et al. 368/225
D320,356 S * 10/1991 Boyer et al. D10/32
D361,278 S * 8/1995 Riley D10/30
D528,440 S * 9/2006 Lovegrove D10/38

D553,512 S * 10/2007 Tang D10/32
D584,170 S * 1/2009 Morrison D10/32
D628,498 S * 12/2010 Arellano D10/38
D631,373 S * 1/2011 Mikkelsen D10/32
D637,918 S * 5/2011 Cobbett et al. D10/31
D640,143 S * 6/2011 Virgili D10/32
8,050,716 B2 * 11/2011 Shin et al. 455/558
8,059,491 B1 * 11/2011 Hennings-Kampa 368/14
D667,126 S * 9/2012 Cho et al. D24/186
D705,673 S * 5/2014 Arellano D10/38
2011/0003665 A1 * 1/2011 Burton et al. 482/9
2012/0274508 A1 * 11/2012 Brown et al. 342/357.25

OTHER PUBLICATIONS

Nike, "Nike Sport Watch", http://store.nike.com/us/en_us/?I=shop, Nov. 1, 2012, 14 pages.

(Continued)

Primary Examiner — Martie K Holtje

(57) **CLAIM**

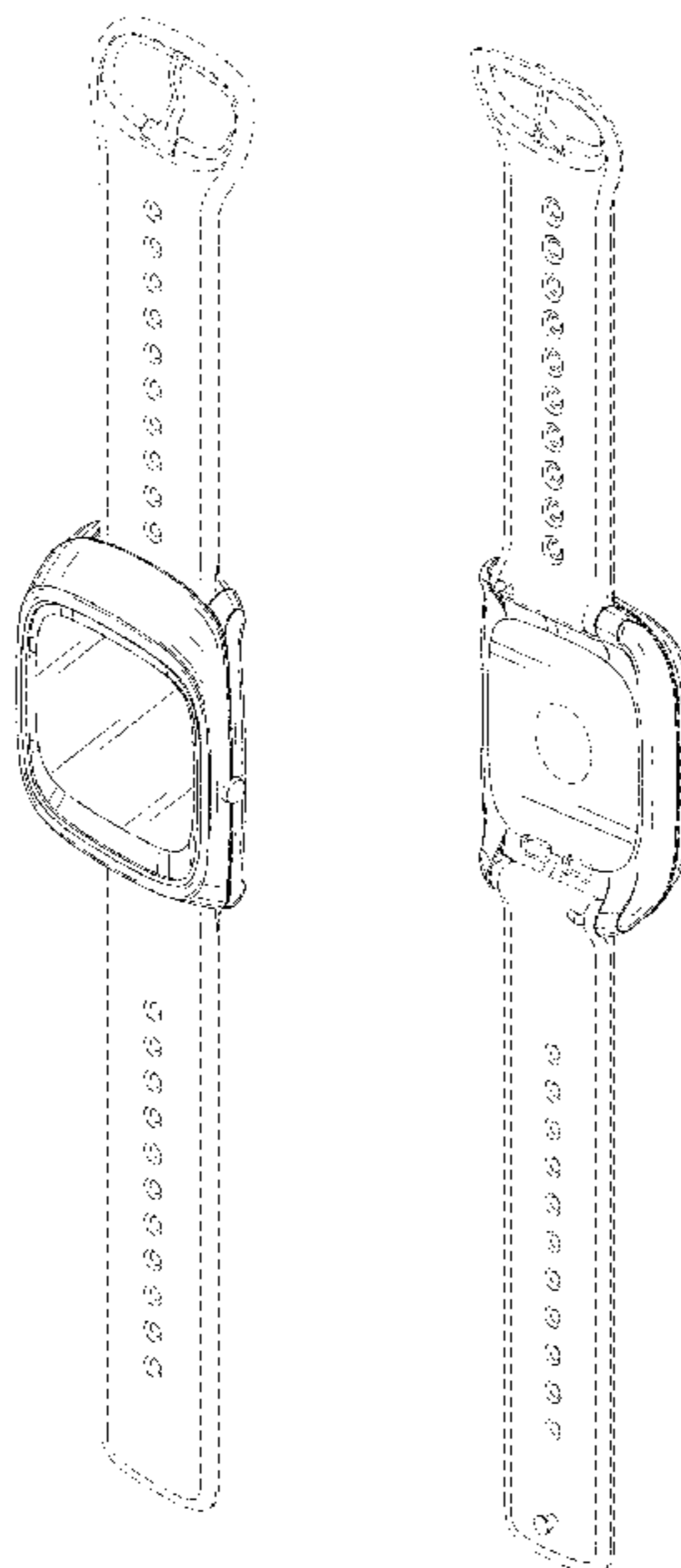
The ornamental design for a wrist-worn display, as shown and described.

DESCRIPTION

FIG. 1 is a front perspective view of a wrist-worn display showing our new design;
FIG. 2 is a rear perspective view thereof;
FIG. 3 is a rear view thereof;
FIG. 4 is a front view thereof;
FIG. 5 is a first side view thereof;
FIG. 6 is a second side view thereof;
FIG. 7 is a top view thereof; and,
FIG. 8 is a bottom view thereof.

The structural features depicted by broken lines have been shown for the purpose of illustrating portions of the wrist-worn display that form no part of the claimed design.

1 Claim, 5 Drawing Sheets



(56)

References Cited

OTHER PUBLICATIONS

Puma, "Faas 300", <http://www.puma.com/time/news/faas-300>, Nov. 1, 2012, 11 pages.

Agriculture, "Multi color sport Silicone Wrist Squire LED Touch Screen Watches for Men/Lady", Nov. 1, 2012, 2 pages.

* cited by examiner

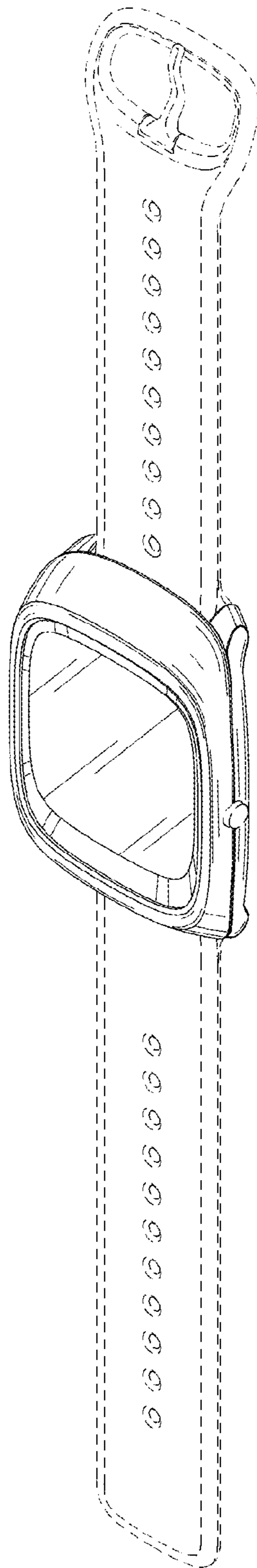


FIG. 1

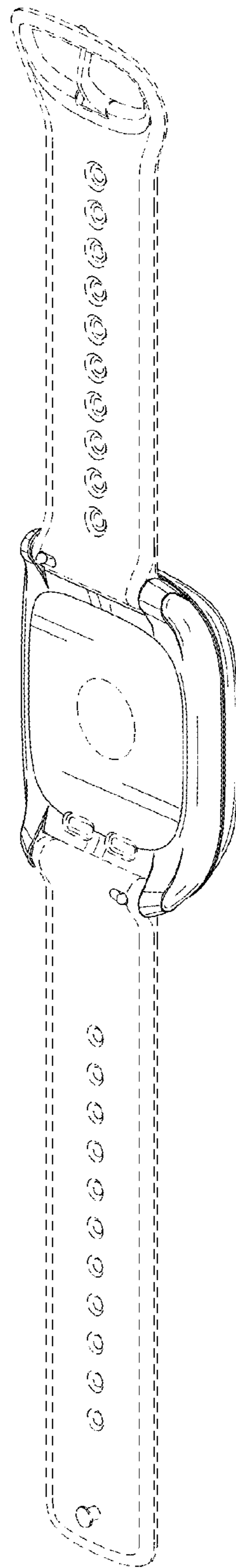


FIG. 2

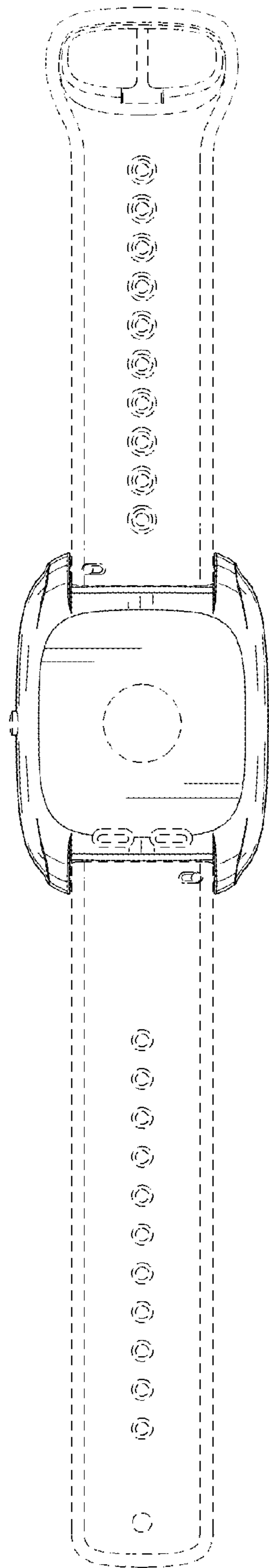


FIG. 3

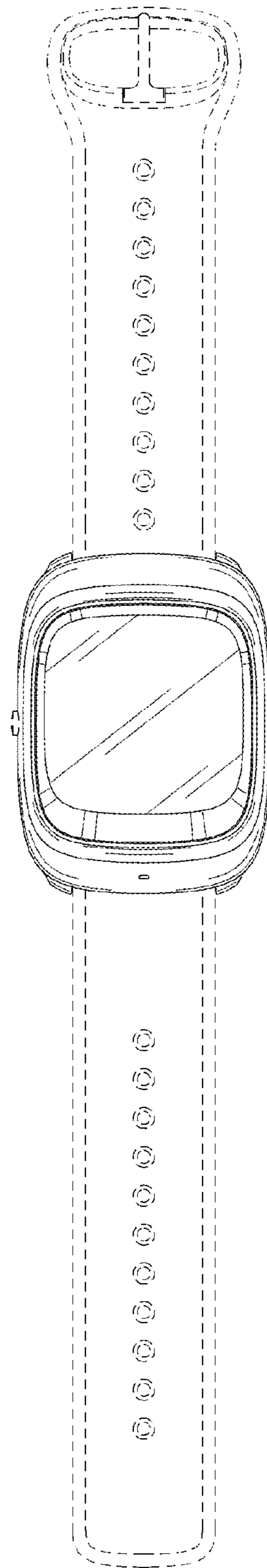


FIG. 4

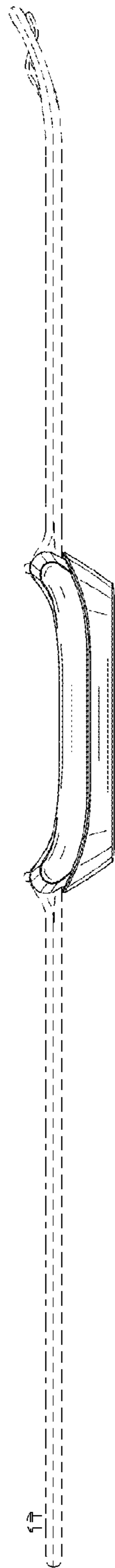


FIG. 5

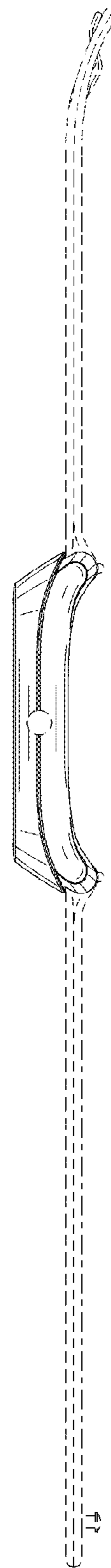


FIG. 6

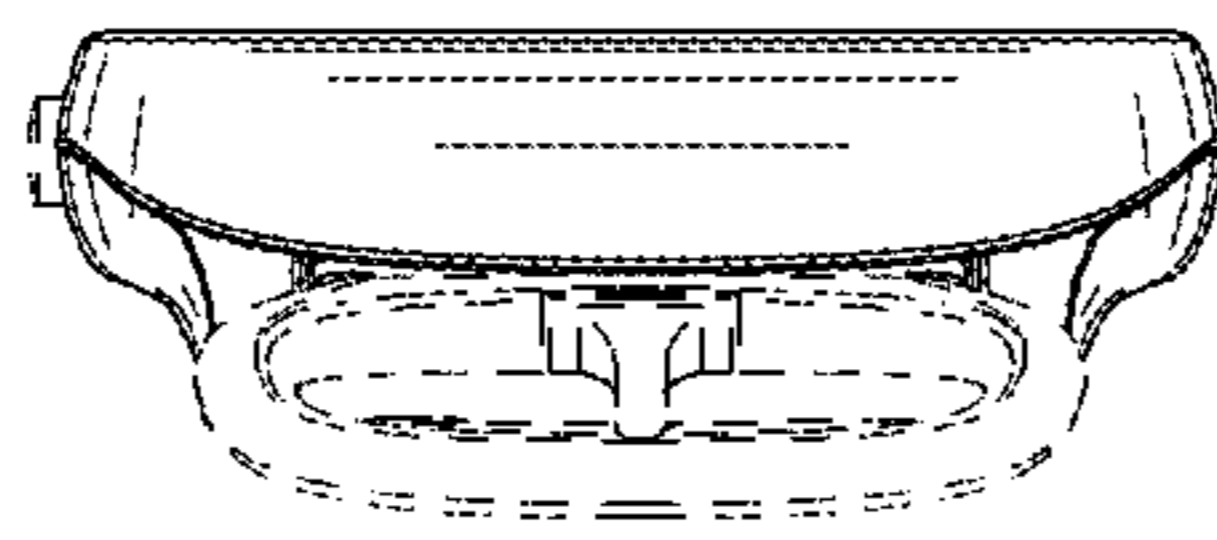


FIG. 7

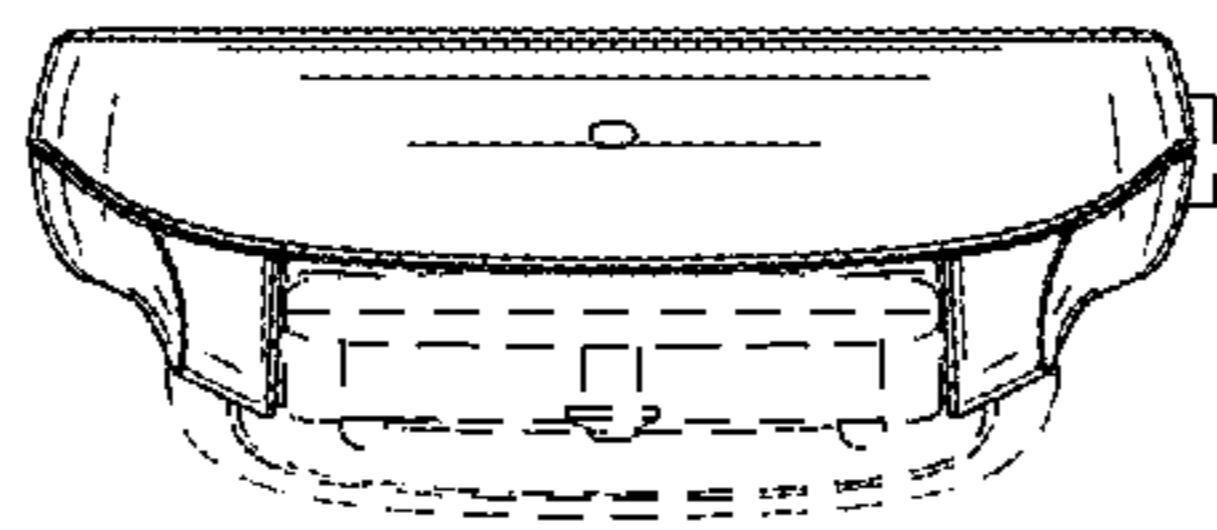


FIG. 8