



US00D734175S

(12) **United States Design Patent**  
**Behling**

(10) **Patent No.:** **US D734,175 S**  
(45) **Date of Patent:** **\*\* Jul. 14, 2015**

(54) **WATCH**

(71) Applicant: **LVMH Swiss Manufactures SA**, La  
Chaux-de-Fonds (CH)

(72) Inventor: **Christoph Behling**, London (GB)

(73) Assignee: **LVMH Swiss Manufactures SA**, La  
Chaux-de-Fonds (CH)

(\*\*) Term: **14 Years**

(21) Appl. No.: **29/441,996**

(22) Filed: **Jan. 11, 2013**

(30) **Foreign Application Priority Data**

Nov. 30, 2012 (WO) ..... 706523301

(51) **LOC (10) Cl.** ..... **10-02**

(52) **U.S. Cl.**  
USPC ..... **D10/30; D10/39; D10/126**

(58) **Field of Classification Search**  
USPC ..... D10/30-39, 122-132; 368/276, 281,  
368/282, 223, 228, 232  
CPC ..... G04B 37/00; G04B 37/0008; G04B  
37/0058; G04B 45/00; G04B 45/0069; G04B  
19/06; G04B 19/087; G04B 19/025; G04B  
19/048

See application file for complete search history.

(56) **References Cited**

**U.S. PATENT DOCUMENTS**

3,270,928	A *	9/1966	Brunet	224/164
3,740,944	A *	6/1973	Chopard	368/281
3,901,023	A *	8/1975	Uebelhardt	368/281
4,364,669	A *	12/1982	Thoenig et al.	368/111
D323,124	S *	1/1992	Osawa	D10/39
5,119,349	A *	6/1992	Muto et al.	368/157
5,226,023	A *	7/1993	Grimm	368/223

D457,816	S *	5/2002	Guye	D10/32
D520,383	S *	5/2006	Raffy	D10/32
D526,923	S *	8/2006	Okaya	D10/126
D536,627	S *	2/2007	Behling	D10/38
D536,628	S *	2/2007	Roth	D10/38
D538,182	S *	3/2007	Lalo	D10/32
D579,791	S *	11/2008	Hoshino	D10/38
D585,309	S *	1/2009	Monachon	D10/39
7,508,738	B2 *	3/2009	Meier et al.	368/64
D590,274	S *	4/2009	Monachon	D10/31
D655,630	S *	3/2012	Behling	D10/38
D658,517	S *	5/2012	Behling	D10/39
D658,518	S *	5/2012	Behling	D10/39
D677,176	S *	3/2013	Ruffieux	D10/39
D692,322	S *	10/2013	Behling	D10/39
D705,087	S *	5/2014	Monachon	D10/39
D709,389	S *	7/2014	Monachon	D10/39
D711,750	S *	8/2014	Monachon	D10/39

\* cited by examiner

*Primary Examiner* — Martie K Holtje

(74) *Attorney, Agent, or Firm* — Brown Rudnick LLP; Mark S. Leonardo

(57) **CLAIM**

The ornamental design for a watch, as shown and described.

**DESCRIPTION**

FIG. 1 is a front perspective view of a watch showing my new design;

FIG. 2 is a rear perspective view thereof;

FIG. 3 is a front elevational view thereof;

FIG. 4 is a rear elevational view thereof;

FIG. 5 is a left side elevational view thereof;

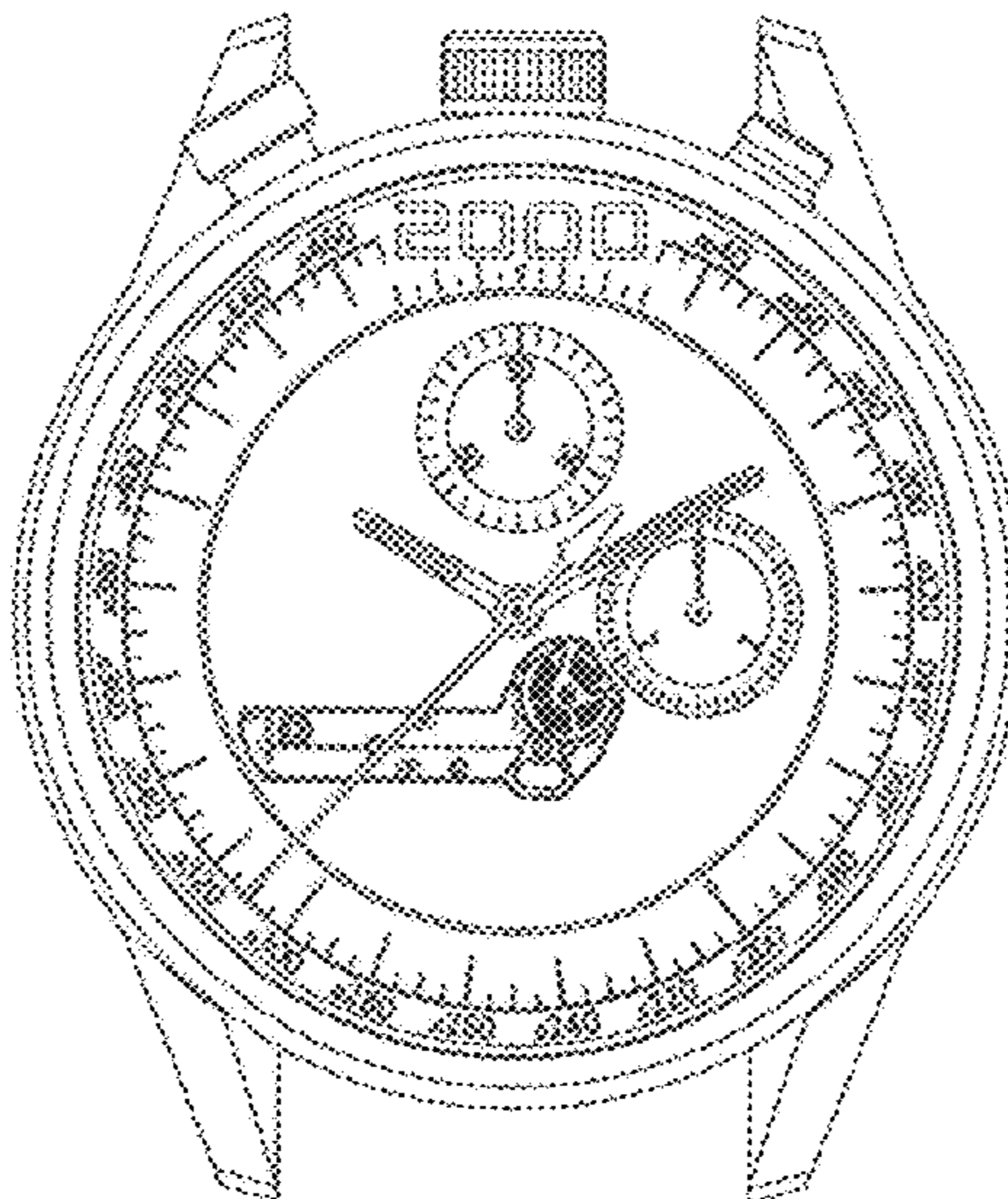
FIG. 6 is a right side elevational view thereof;

FIG. 7 is a top plan view thereof; and,

FIG. 8 is a bottom plan view thereof.

The structural features depicted by broken lines have been shown for the purpose of illustrating portions of the watch that form no part of the claimed design.

**1 Claim, 7 Drawing Sheets**



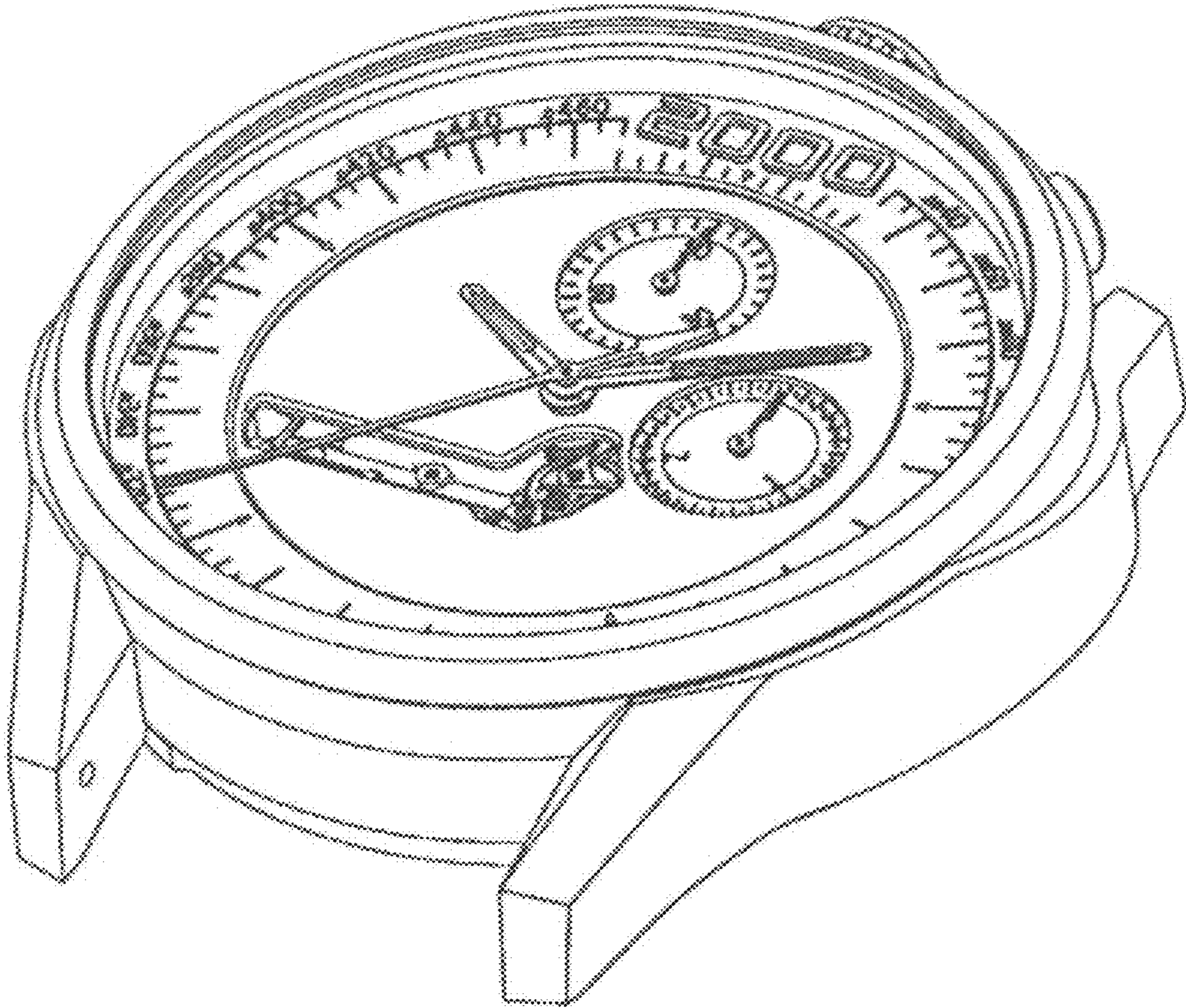


FIG. 1



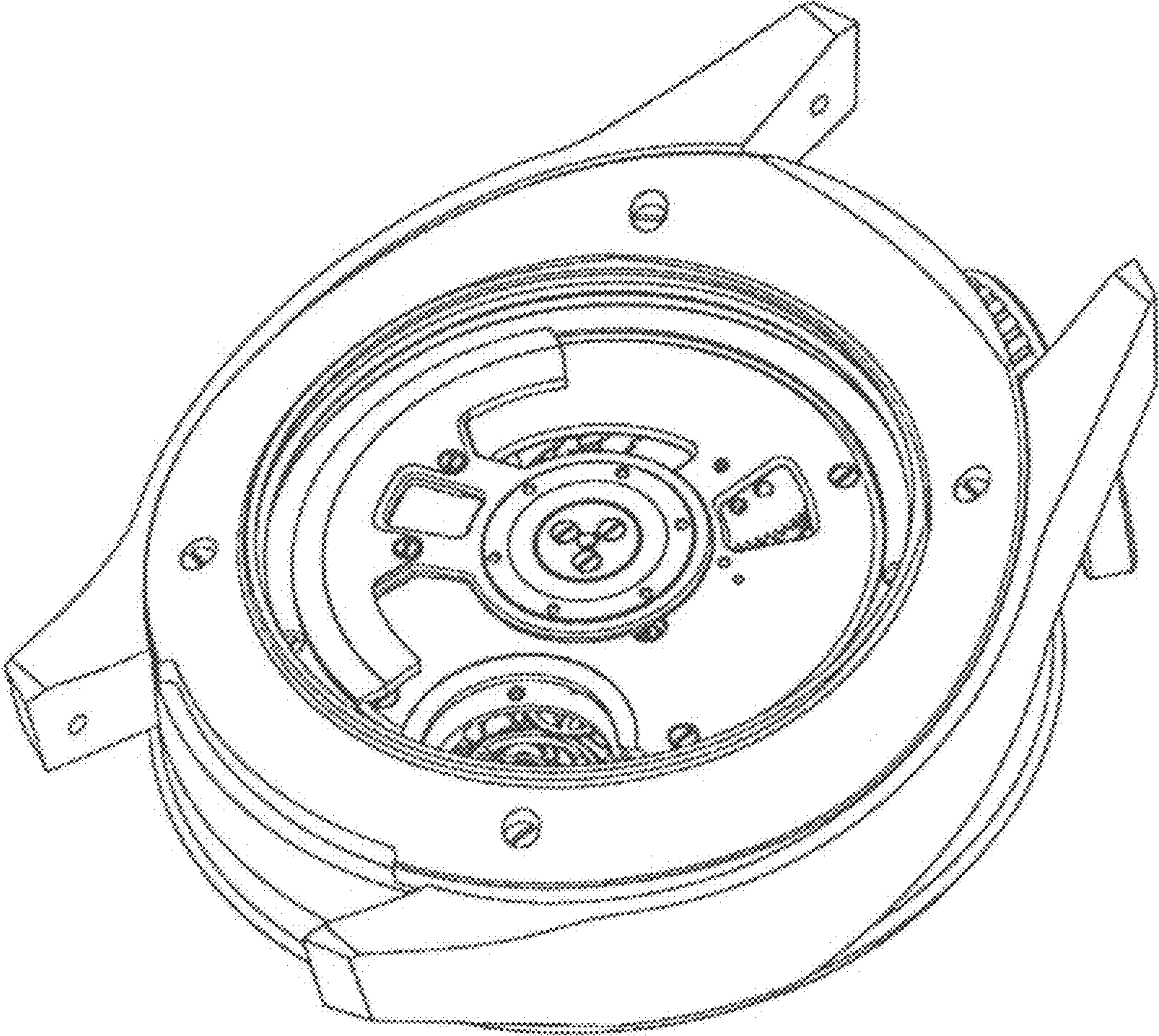


FIG. 2

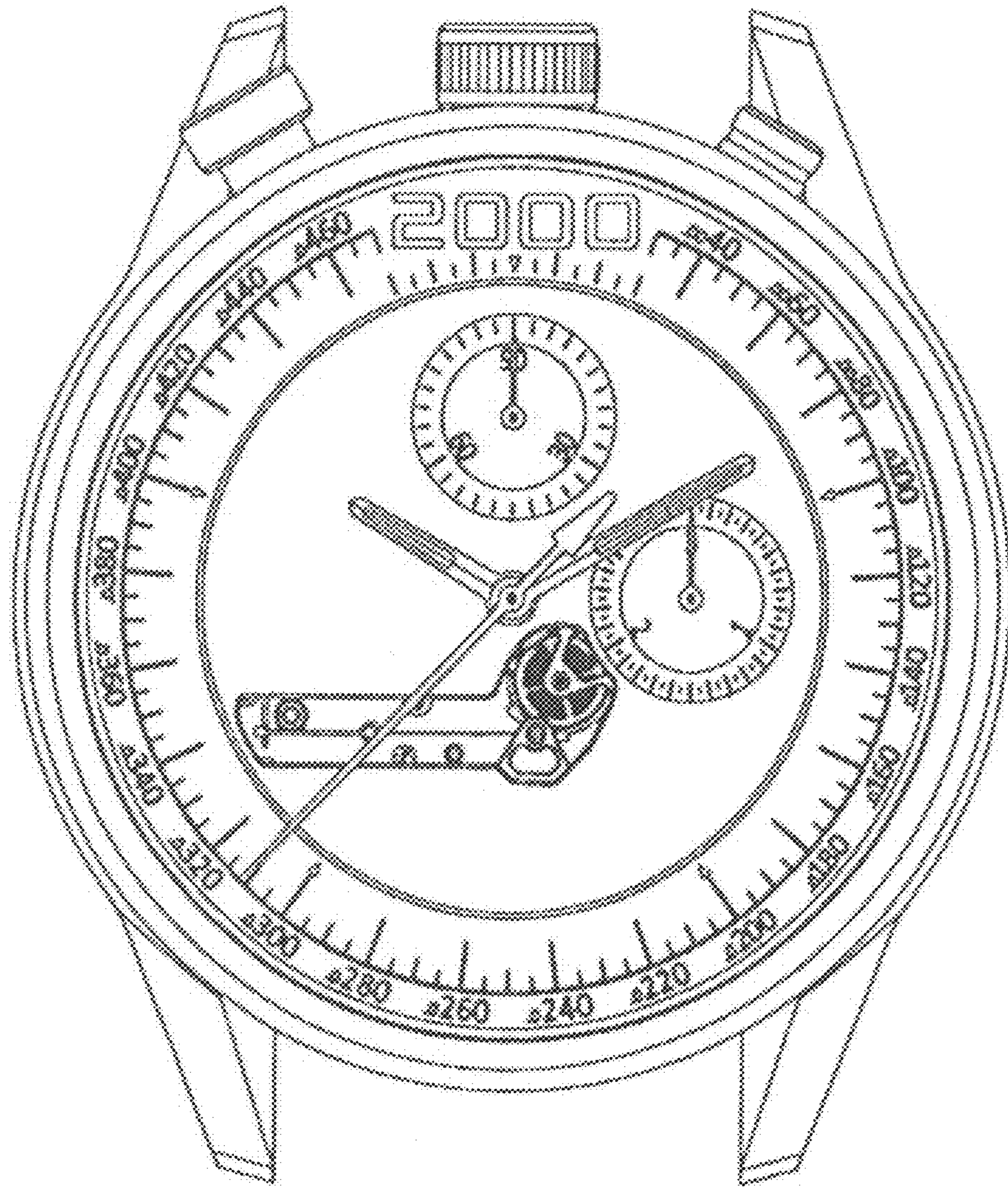


FIG. 3





FIG. 4

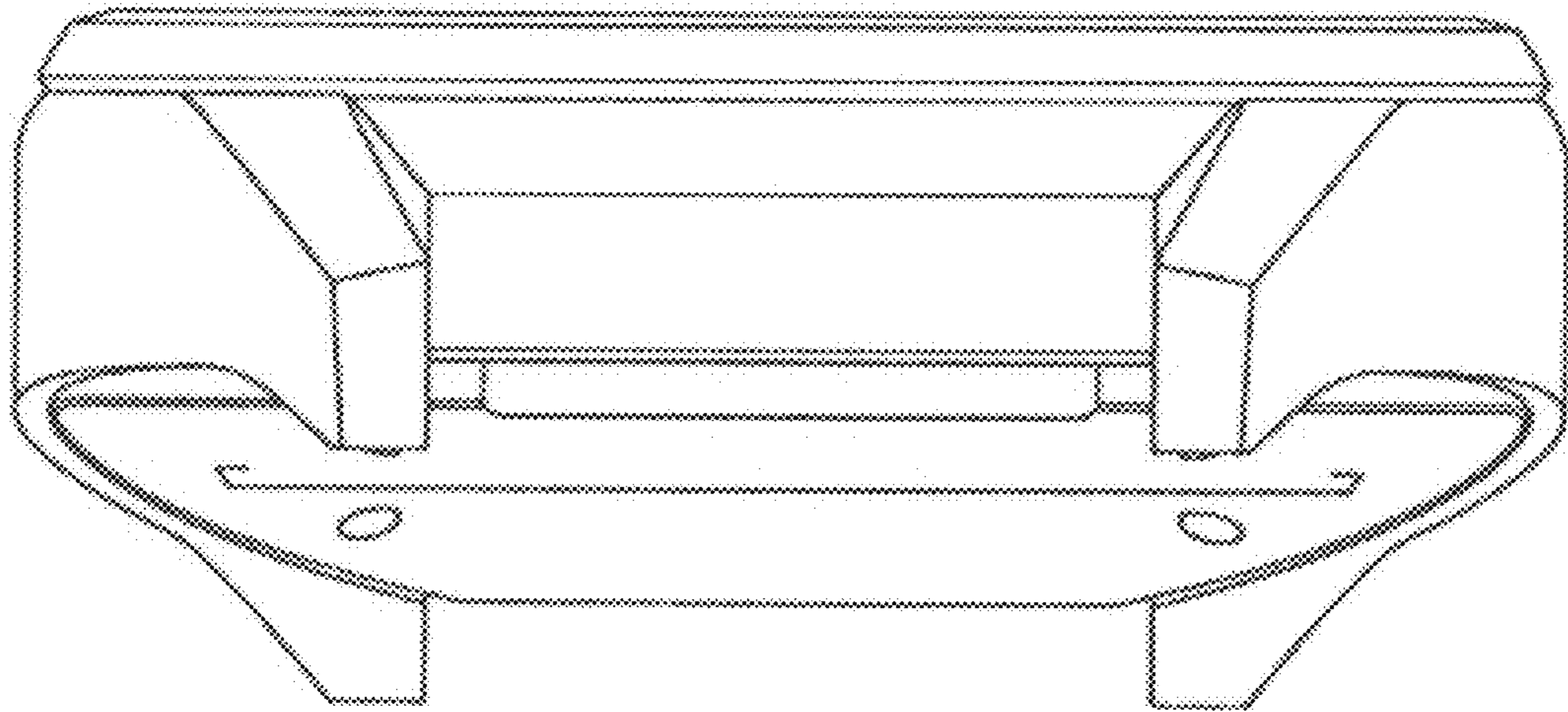


FIG. 5

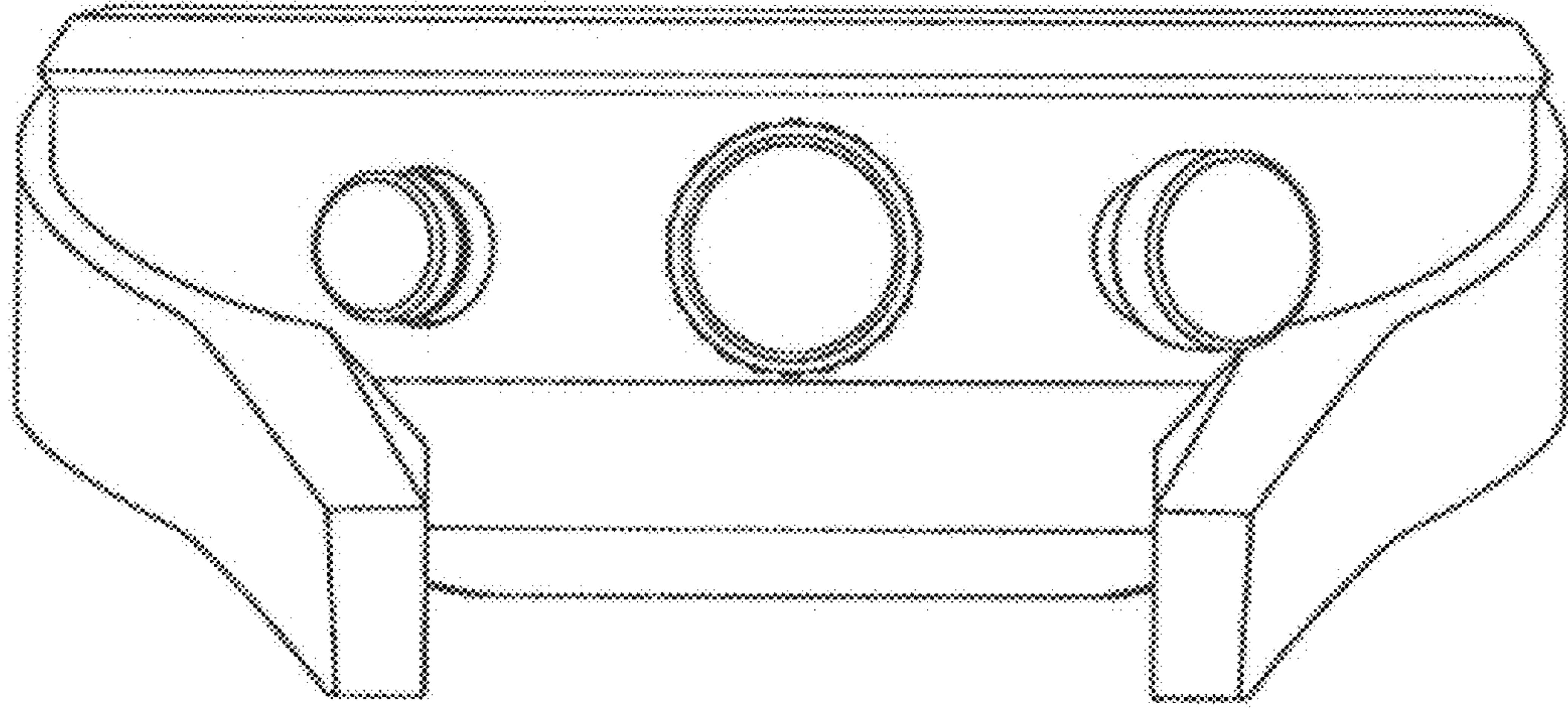


FIG. 6

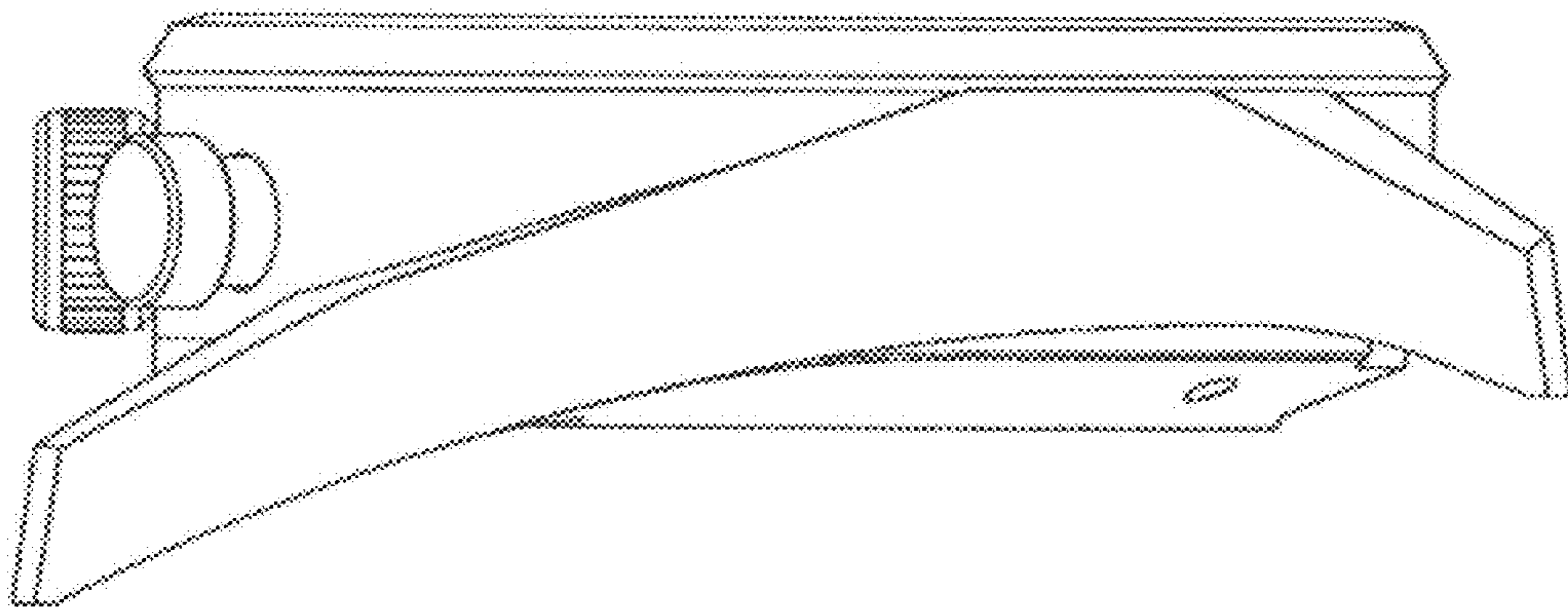


FIG. 7



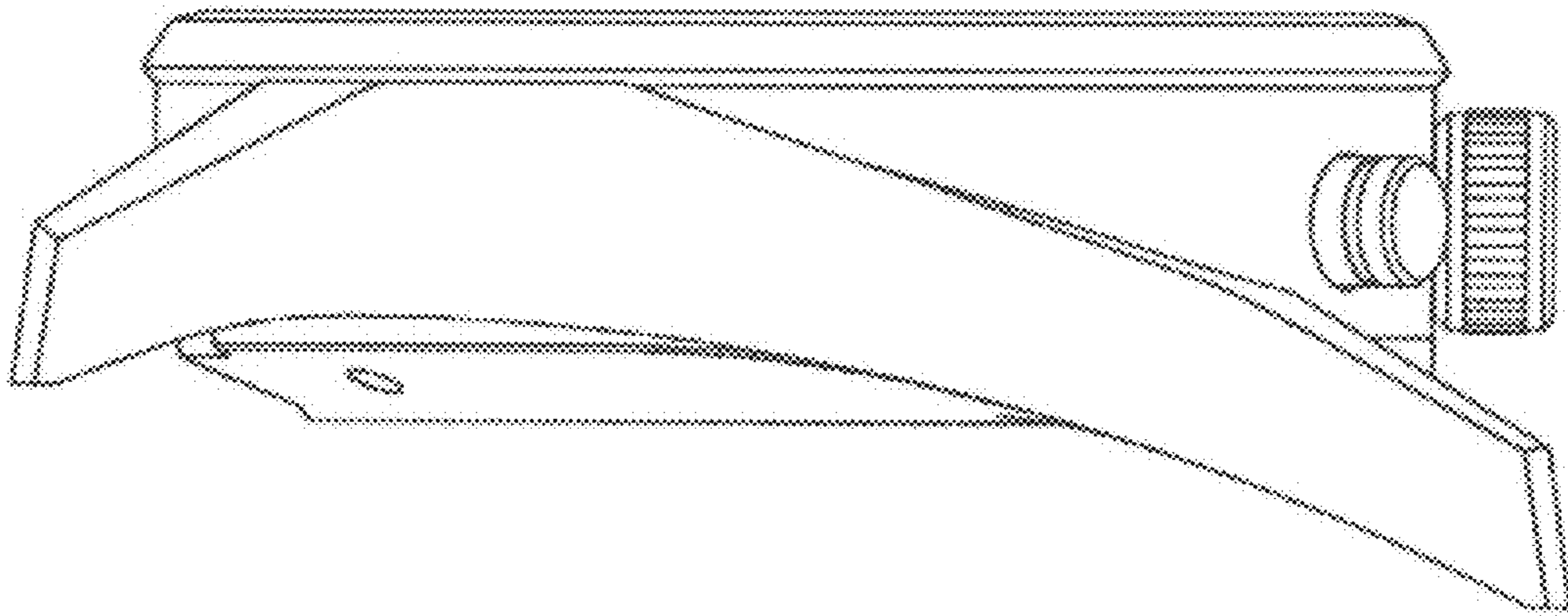


FIG. 8