



US00D734174S

(12) **United States Design Patent**  
**Behling**

(10) **Patent No.:** **US D734,174 S**  
(45) **Date of Patent:** **\*\* Jul. 14, 2015**

(54) **WATCH CASE**

(71) Applicant: **LVMH Swiss Manufactures SA**, La  
Chaus-de-Fonds (CH)

(72) Inventor: **Christoph Behling**, London (GB)

(73) Assignee: **LVMH Swiss Manufactures SA**, La  
Chaus-de-Fonds (CH)

(\*\*) Term: **14 Years**

(21) Appl. No.: **29/441,994**

(22) Filed: **Jan. 11, 2013**

(30) **Foreign Application Priority Data**

Nov. 30, 2012 (WO) ..... DM/079 694

(51) **LOC (10) CL.** ..... **10-02**

(52) **U.S. CL.**  
USPC ..... **D10/30**

(58) **Field of Classification Search**

USPC ..... D10/30-39; 368/276, 281, 282

CPC ..... G04B 37/00; G04B 37/0008; G04B  
37/0058; G04B 45/00; G04B 45/0069

See application file for complete search history.

(56) **References Cited**

**U.S. PATENT DOCUMENTS**

3,270,928 A \* 9/1966 Brunet ..... 224/164  
3,740,944 A \* 6/1973 Chopard ..... 368/281  
3,901,023 A \* 8/1975 Uebelhardt ..... 368/281  
D457,816 S \* 5/2002 Guye ..... D10/32  
D520,383 S \* 5/2006 Raffy ..... D10/32

D536,627 S \* 2/2007 Behling ..... D10/38  
D536,628 S \* 2/2007 Roth ..... D10/38  
D538,182 S \* 3/2007 Lalo ..... D10/32  
D579,791 S \* 11/2008 Hoshino ..... D10/38  
D585,309 S \* 1/2009 Monachon ..... D10/39  
D590,274 S \* 4/2009 Monachon ..... D10/31  
D655,630 S \* 3/2012 Behling ..... D10/38  
D692,322 S \* 10/2013 Behling ..... D10/39  
D705,087 S \* 5/2014 Monachon ..... D10/39  
D709,389 S \* 7/2014 Monachon ..... D10/39  
D711,750 S \* 8/2014 Monachon ..... D10/39

\* cited by examiner

*Primary Examiner* — Martie K Holtje

(74) *Attorney, Agent, or Firm* — Brown Rudnick LLP; Mark  
S. Leonardo

(57) **CLAIM**

The ornamental design for a watch case, as shown and  
described.

**DESCRIPTION**

FIG. 1 is a front perspective view of a watch case showing my  
new design;

FIG. 2 is a rear perspective view thereof;

FIG. 3 is a front elevational view thereof;

FIG. 4 is a rear elevational view thereof;

FIG. 5 is a left side elevational view thereof;

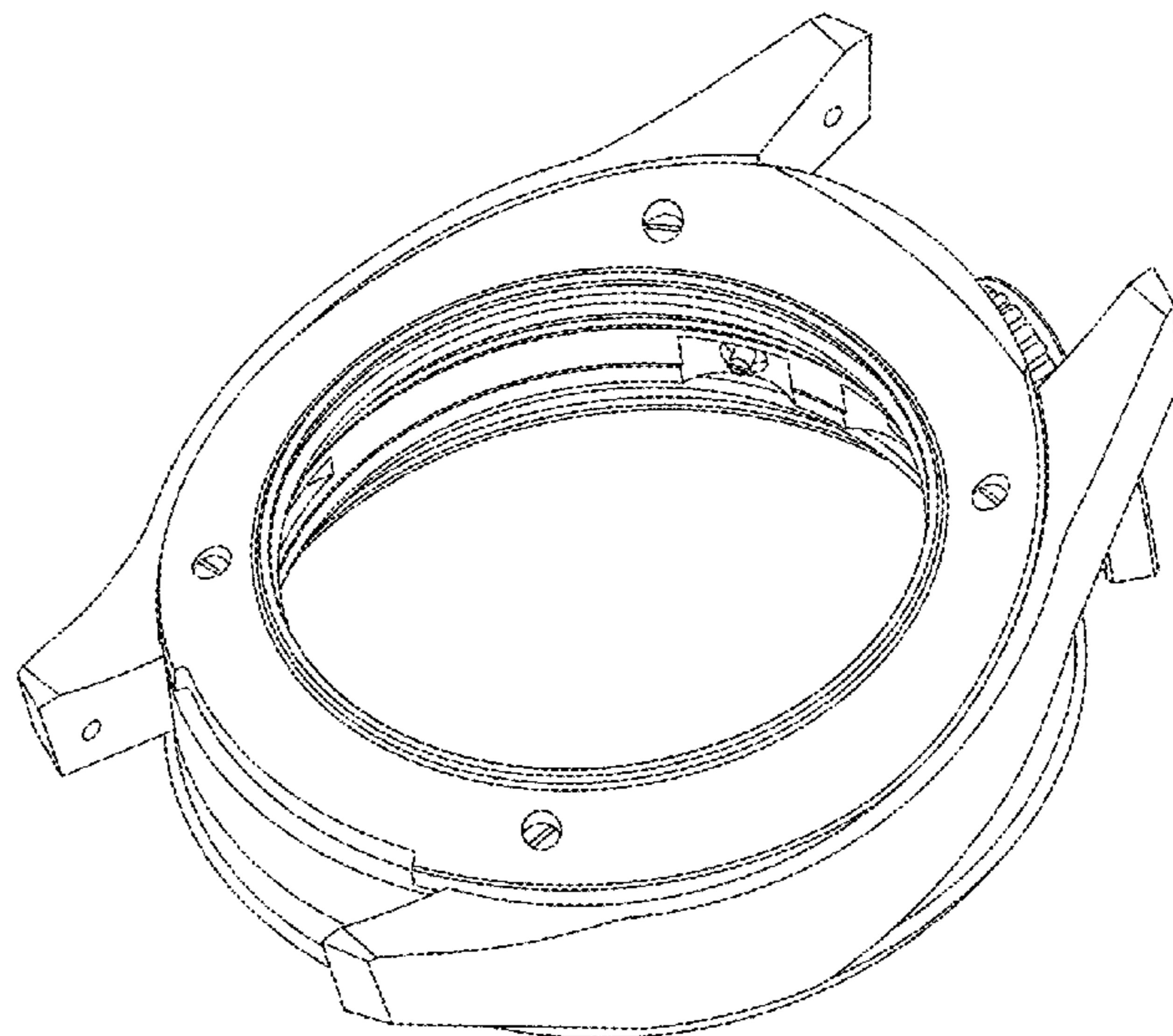
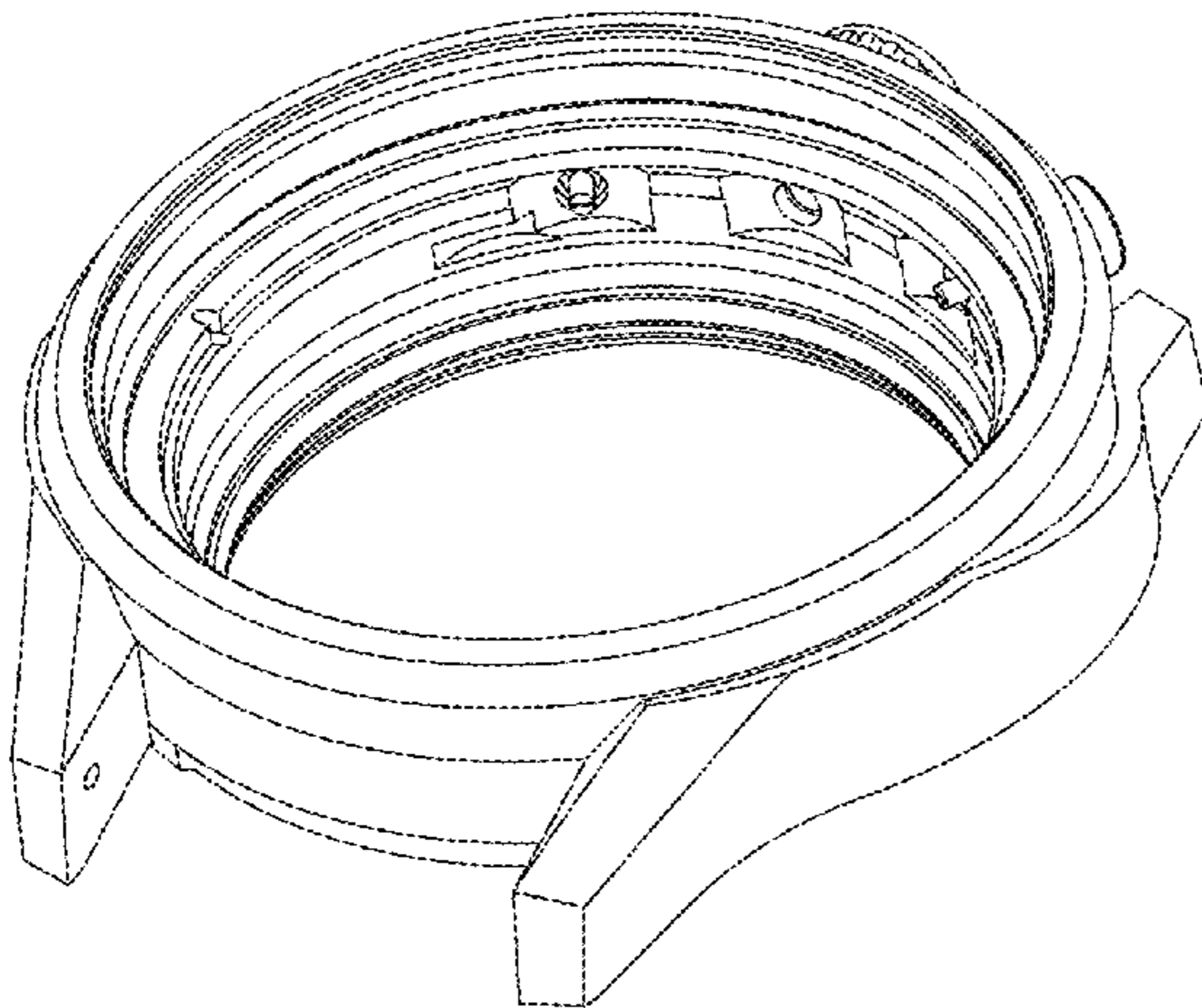
FIG. 6 is a right side elevational view thereof;

FIG. 7 is a top plan view thereof; and,

FIG. 8 is a bottom plan view thereof.

The structural features depicted by broken lines in FIGS. 6  
through 8 have been shown for the purpose of illustrating  
portions of the watch case that form no part of the claimed  
design.

**1 Claim, 6 Drawing Sheets**



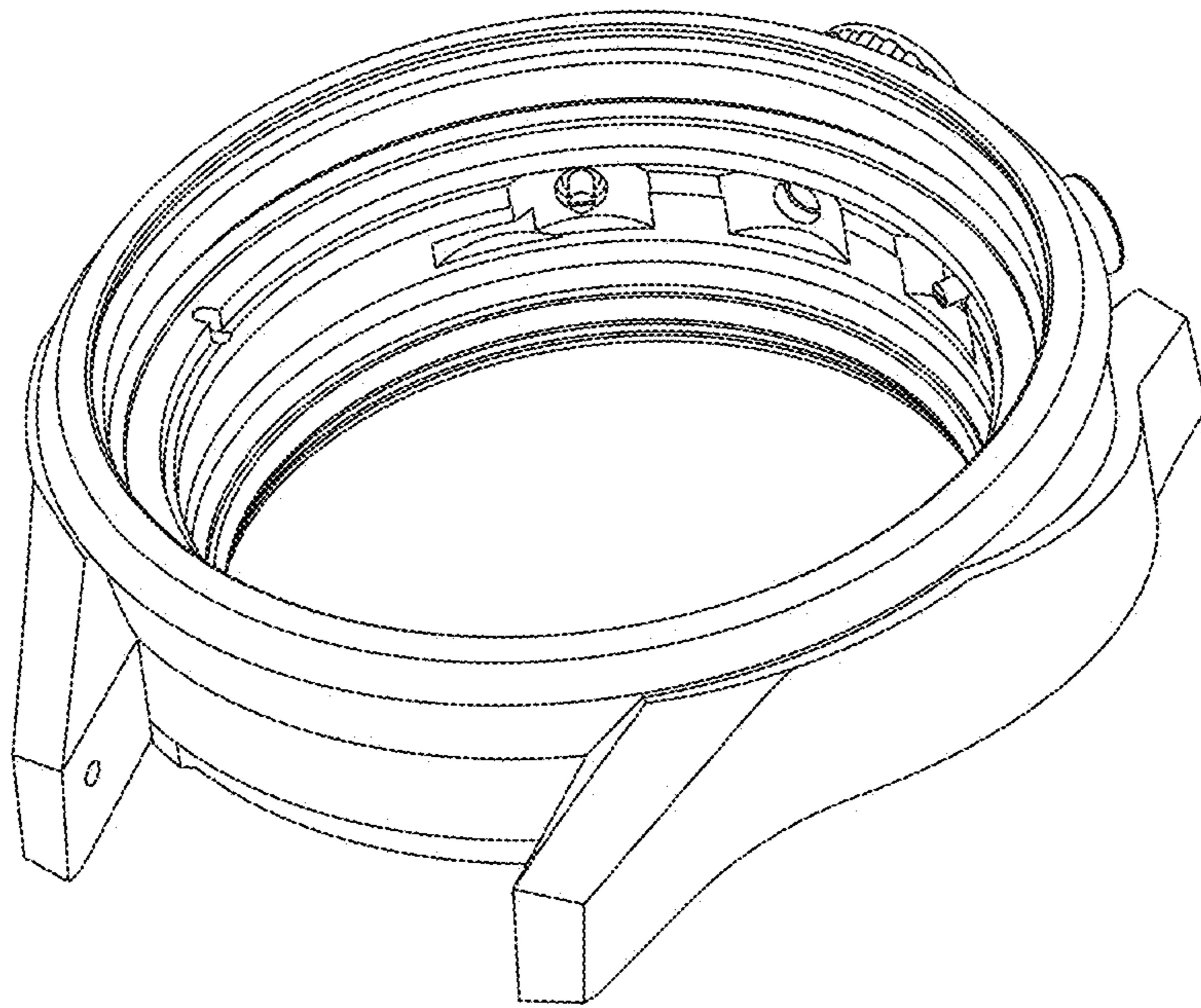


FIG. 1

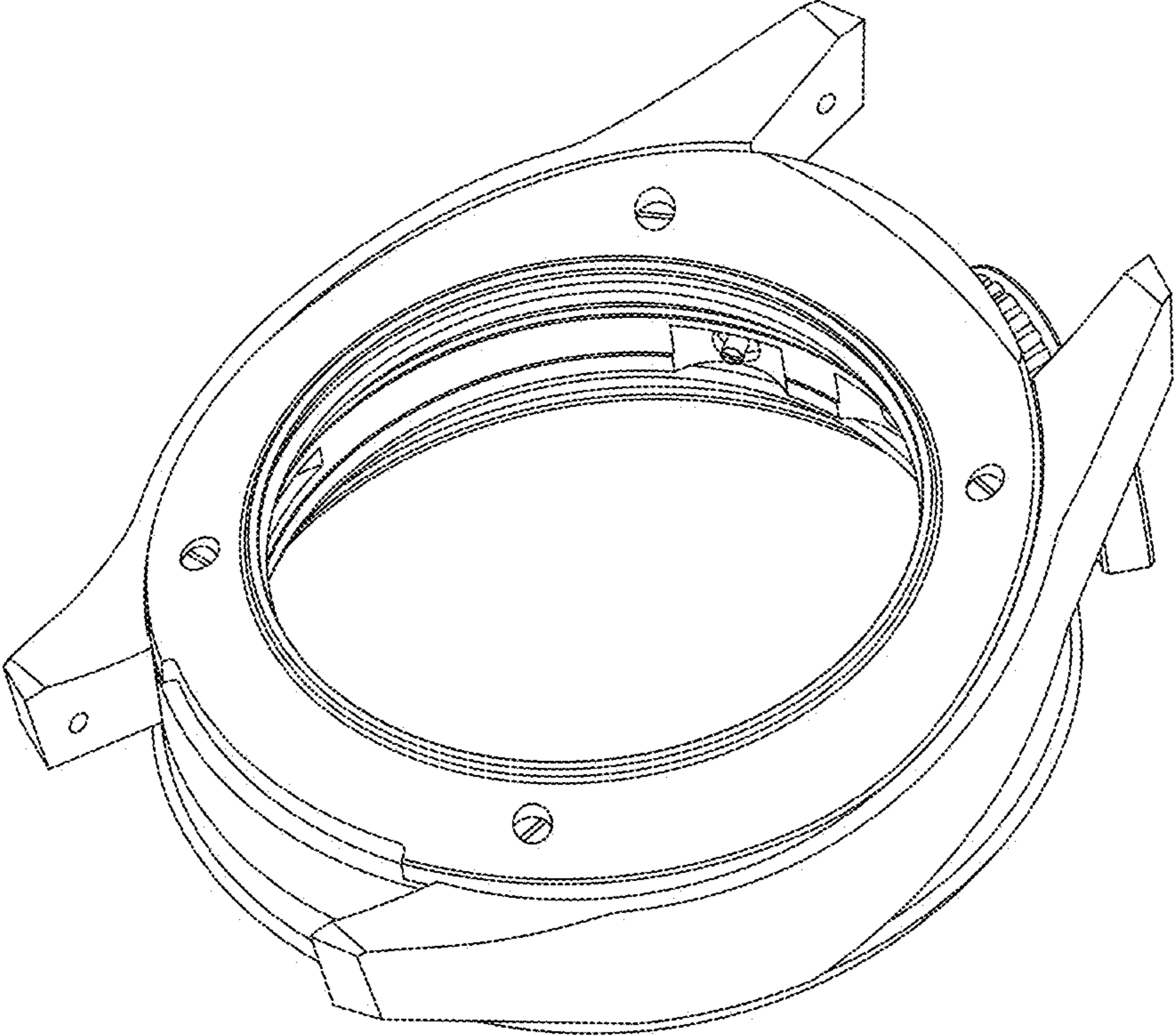


FIG. 2



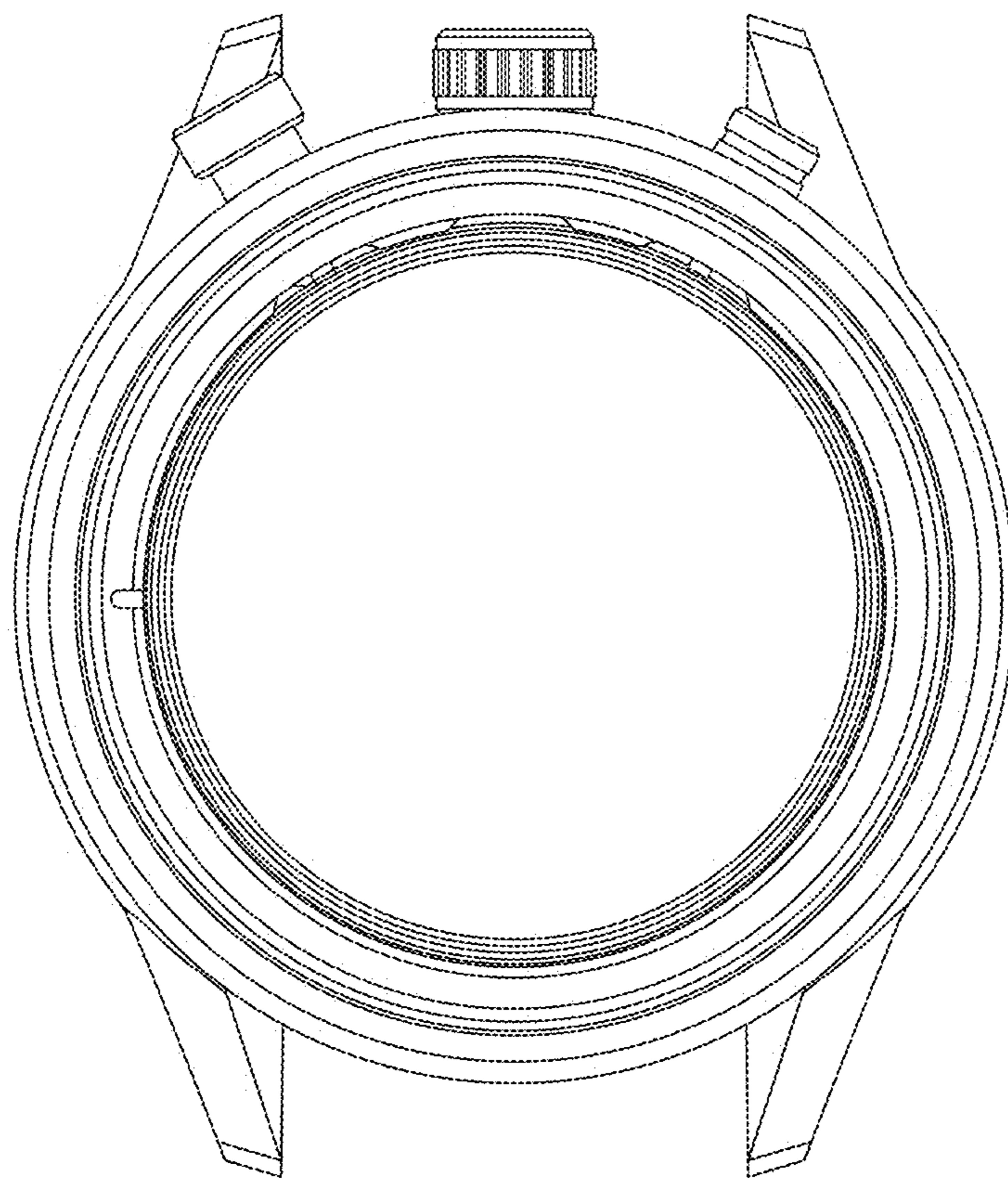


FIG. 3

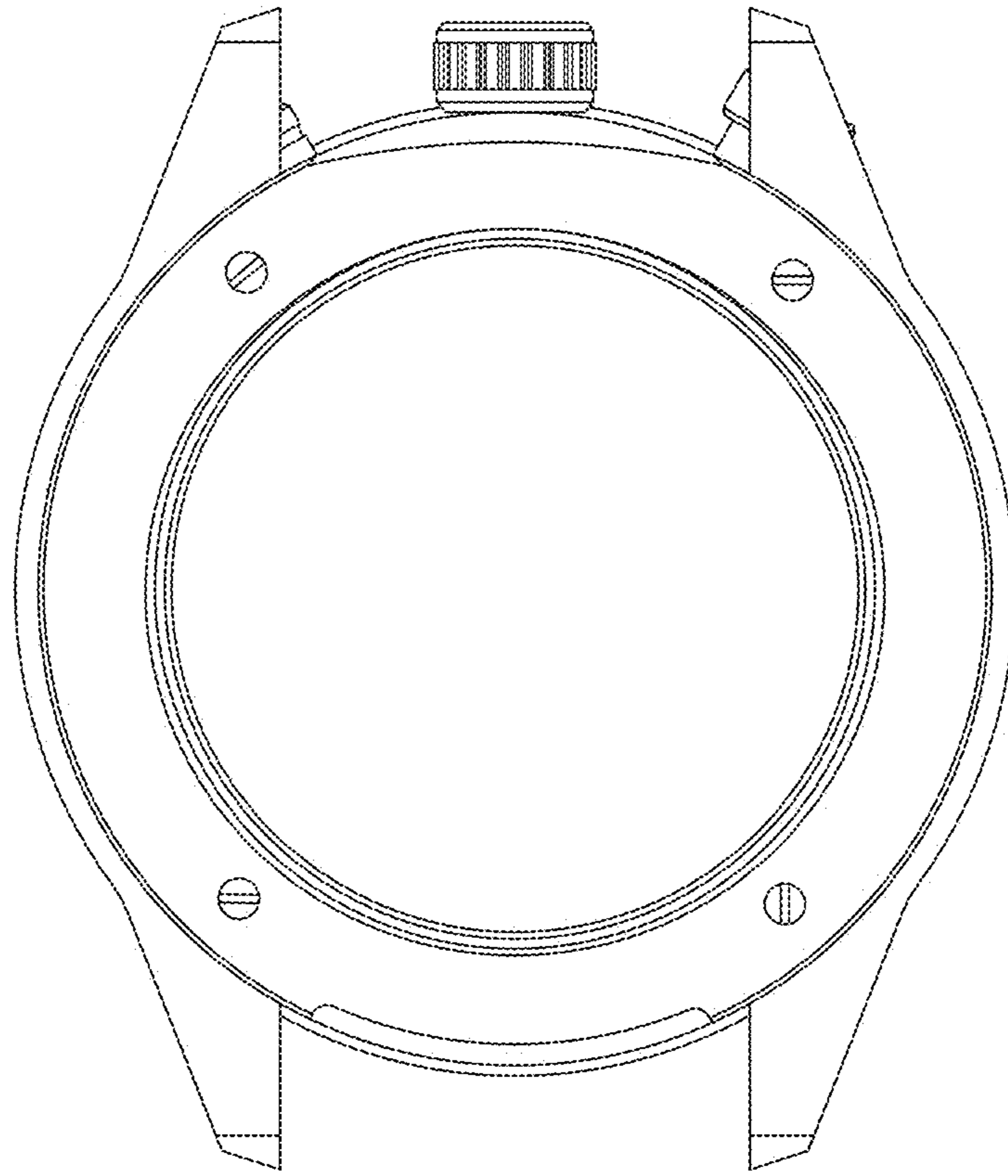


FIG. 4

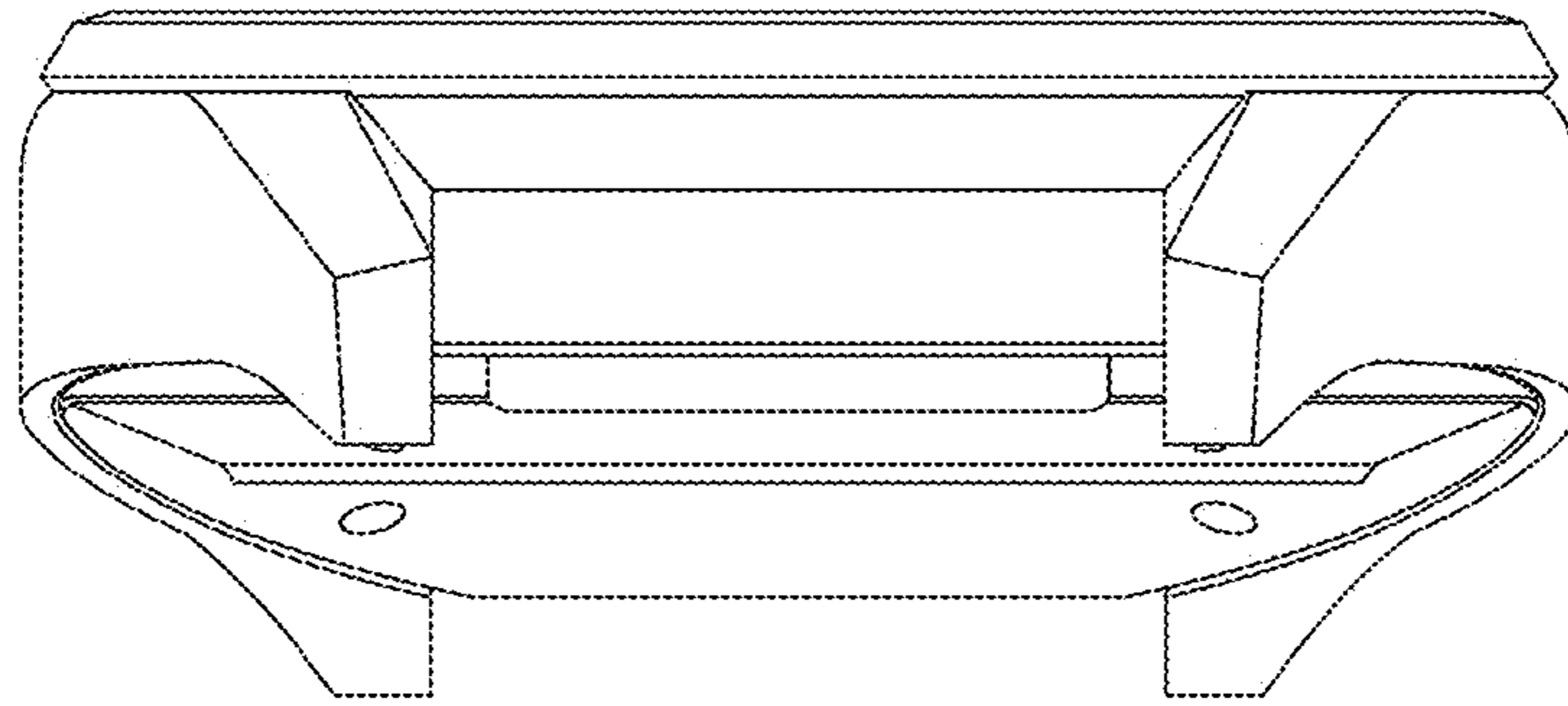


FIG. 5

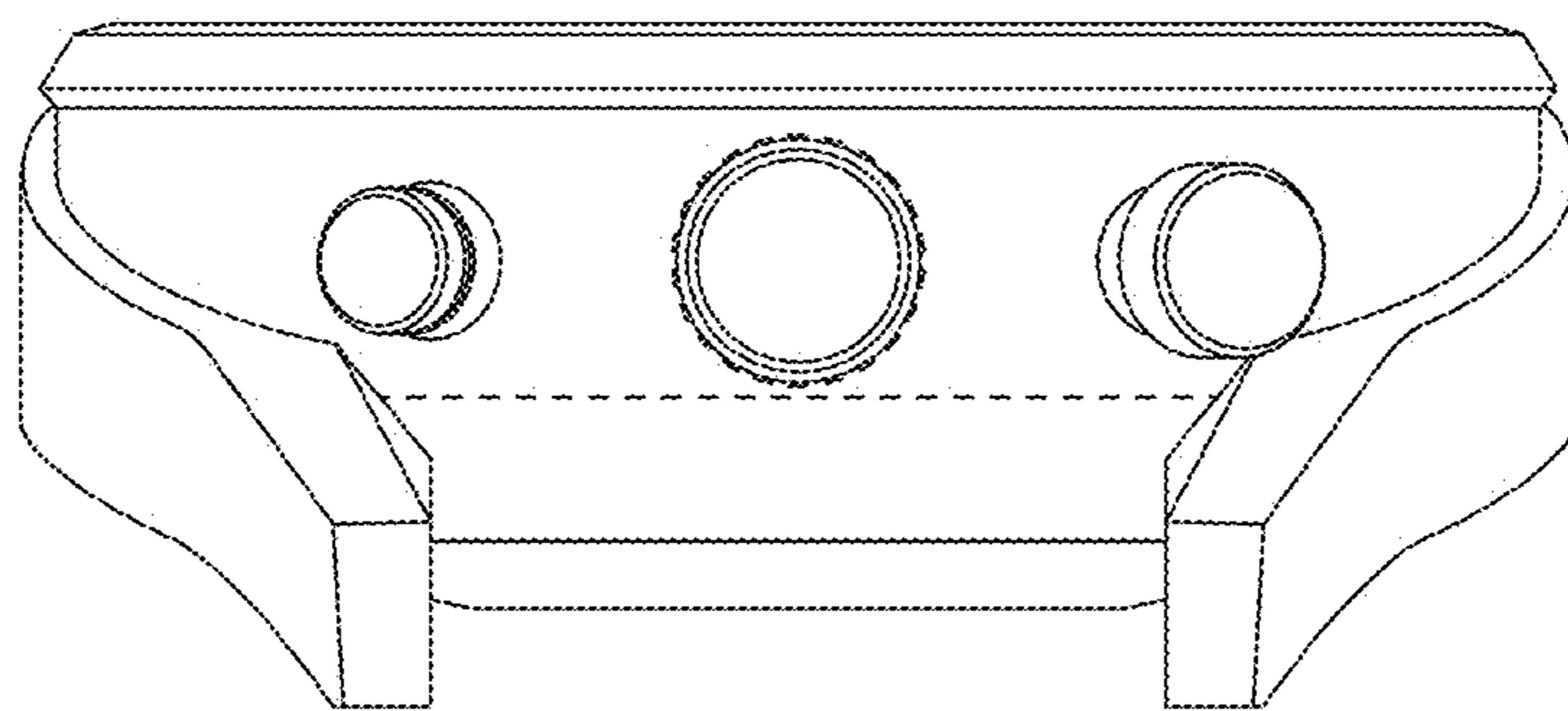


FIG. 6

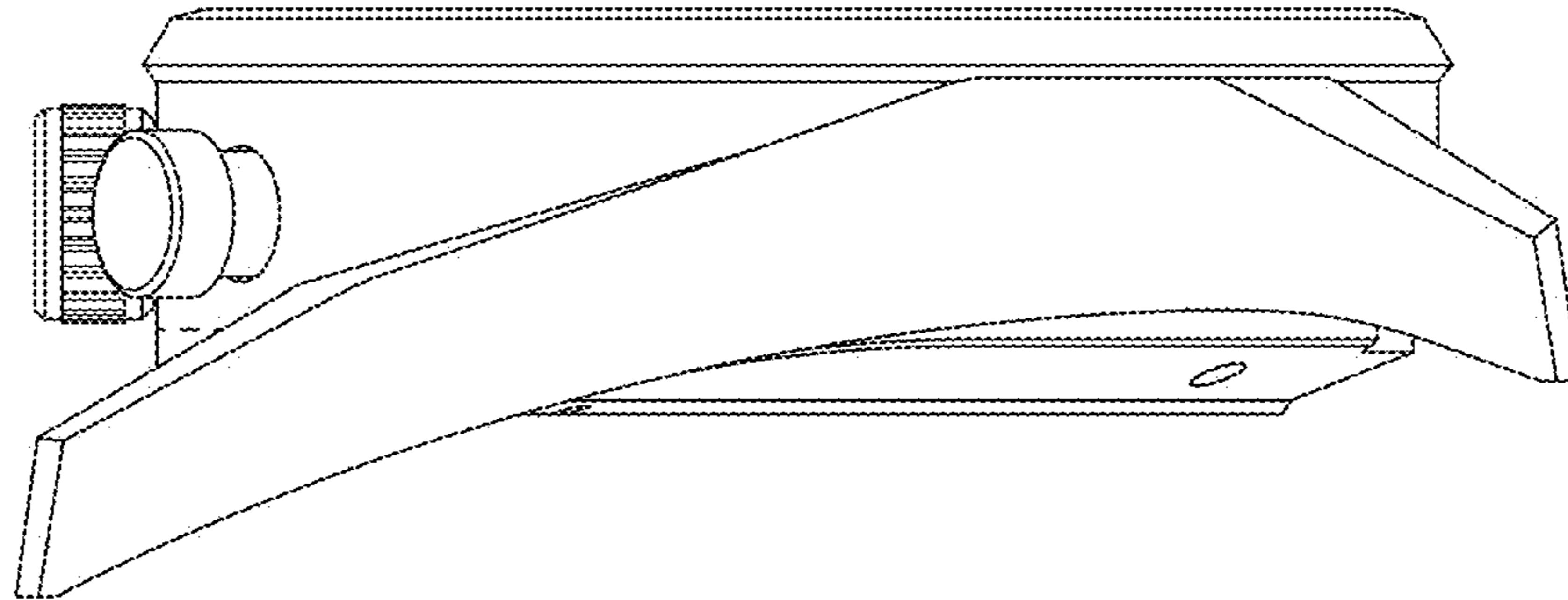


FIG. 7

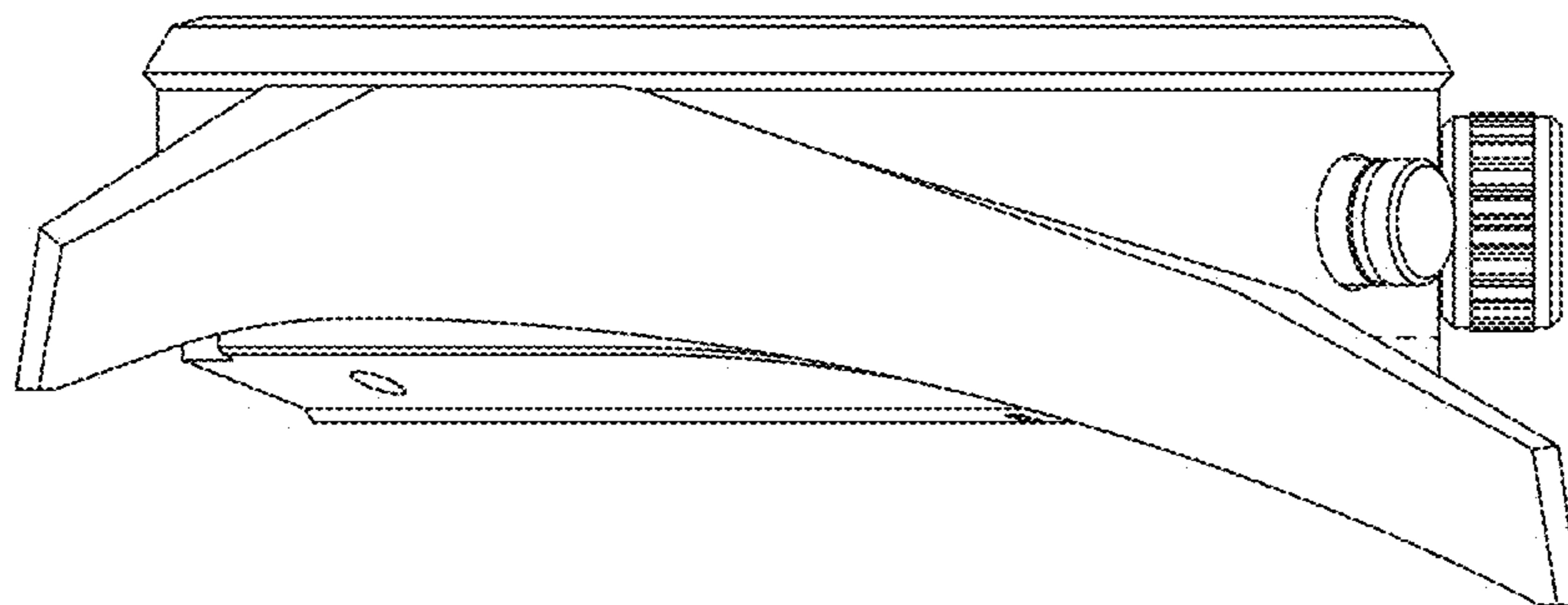


FIG. 8