



US00D734173S

(12) **United States Design Patent**
Behling

(10) **Patent No.:** **US D734,173 S**
(45) **Date of Patent:** **** Jul. 14, 2015**

(54) **WATCH**
(71) Applicant: **LVMH Swiss Manufactures SA, La**
Chaux-de-Fonds (CH)
(72) Inventor: **Christoph Behling, London (GB)**
(73) Assignee: **LVMH Swiss Manufactures SA, La**
Chaux-deFonds (CH)
(**) Term: **14 Years**
(21) Appl. No.: **29/441,991**
(22) Filed: **Jan. 11, 2013**

D526,923	S	*	8/2006	Okaya	D10/126
D536,627	S	*	2/2007	Behling	D10/38
D536,628	S	*	2/2007	Roth	D10/38
D544,372	S	*	6/2007	Seyr et al.	D10/32
D579,791	S	*	11/2008	Hoshino	D10/38
7,508,738	B2	*	3/2009	Meier et al.	368/64
D655,630	S	*	3/2012	Behling	D10/38
D658,517	S	*	5/2012	Behling	D10/39
D658,518	S	*	5/2012	Behling	D10/39
8,366,313	B2	*	2/2013	Scioscia	368/286
D677,176	S	*	3/2013	Ruffieux	D10/39
D684,486	S	*	6/2013	Messmer et al.	D10/39
D690,611	S	*	10/2013	Inoue	D10/39
D692,322	S	*	10/2013	Behling	D10/39
D705,087	S	*	5/2014	Monachon	D10/39
D709,389	S	*	7/2014	Monachon	D10/39
D711,750	S	*	8/2014	Monachon	D10/39

* cited by examiner

(30) **Foreign Application Priority Data**
Nov. 30, 2012 (CH) 706523301
(51) **LOC (10) Cl.** **10-02**
(52) **U.S. Cl.**
USPC **D10/30; D10/39; D10/126**
(58) **Field of Classification Search**
USPC D10/30-39, 122-132; 368/276, 281,
368/282, 223, 228, 232
CPC G04B 37/00; G04B 37/0008; G04B
37/0058; G04B 45/00; G04B 45/0069; G04B
19/06; G04B 19/087; G04B 19/025; G04B
19/048
See application file for complete search history.

Primary Examiner — Martie K Holtje
(74) *Attorney, Agent, or Firm* — Brown Rudnick LLP; Mark
S. Leonardo

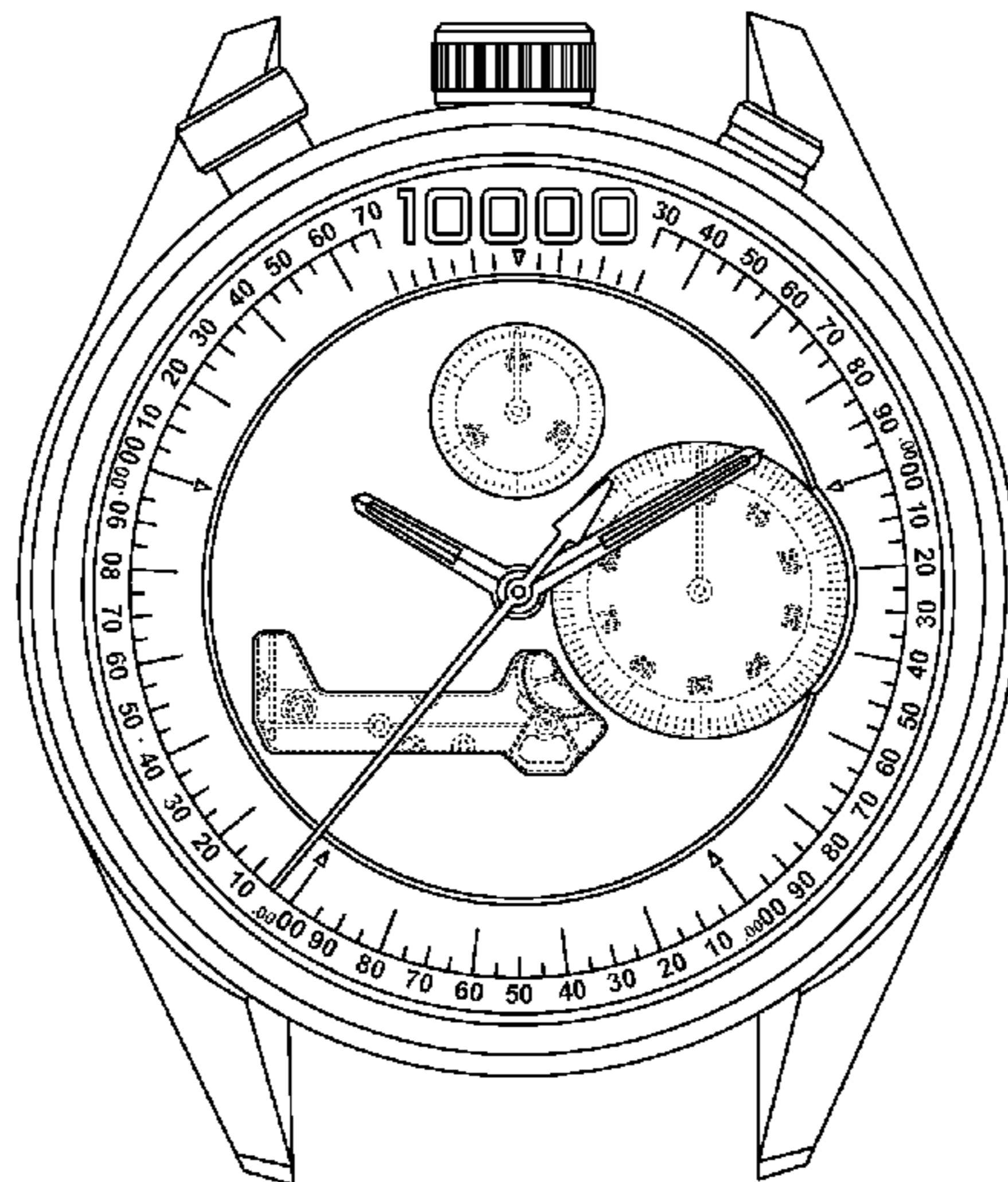
(57) **CLAIM**
The ornamental design for a watch, as shown and described.

DESCRIPTION

FIG. 1 is a front perspective view of a watch showing my new design;
FIG. 2 is a rear perspective view thereof;
FIG. 3 is a front elevational view thereof;
FIG. 4 is a rear elevational view thereof;
FIG. 5 is a left side elevational view thereof;
FIG. 6 is a right side elevational view thereof;
FIG. 7 is a top plan view thereof; and,
FIG. 8 is a bottom plan view thereof.
The structural features depicted by broken lines have been shown for the purpose of illustrating portions of the watch that form no part of the claimed design.

(56) **References Cited**
U.S. PATENT DOCUMENTS
3,270,928 A * 9/1966 Brunet 224/164
4,364,669 A * 12/1982 Thoenig et al. 368/111
D323,124 S * 1/1992 Osawa D10/39
5,119,349 A * 6/1992 Muto et al. 368/157
5,226,023 A * 7/1993 Grimm 368/223
D457,816 S * 5/2002 Guye D10/32

1 Claim, 6 Drawing Sheets



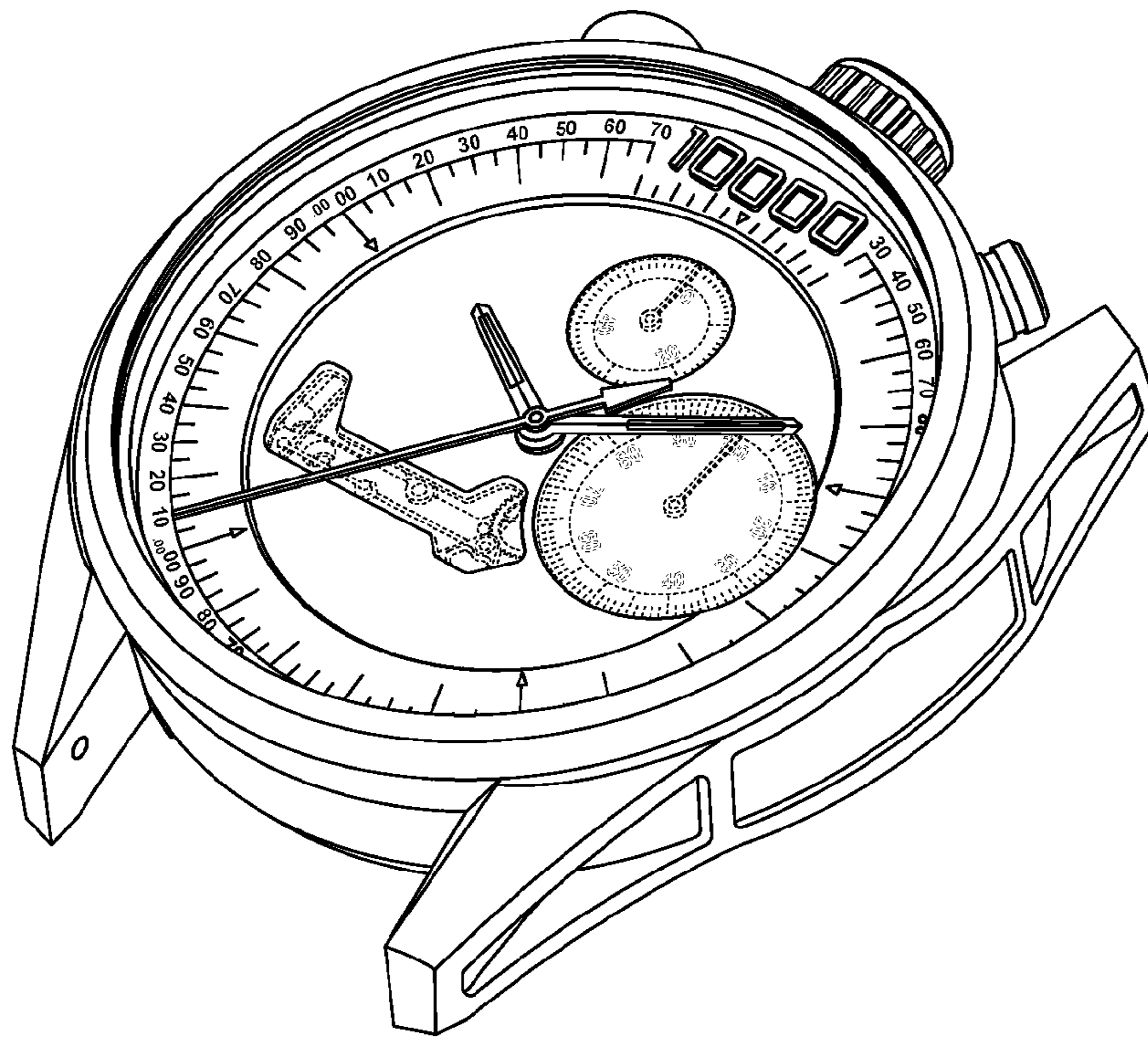


FIG. 1

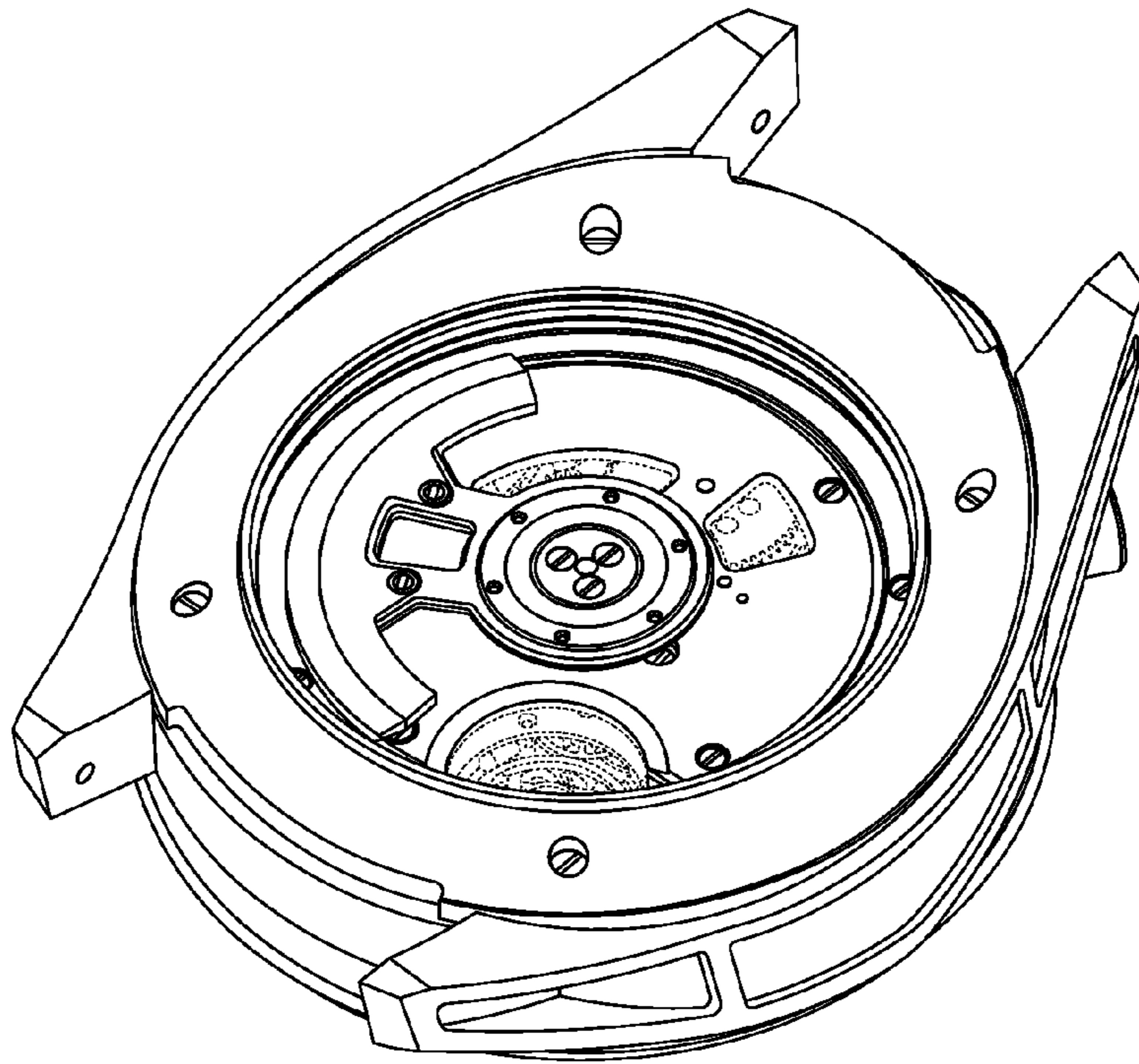


FIG. 2

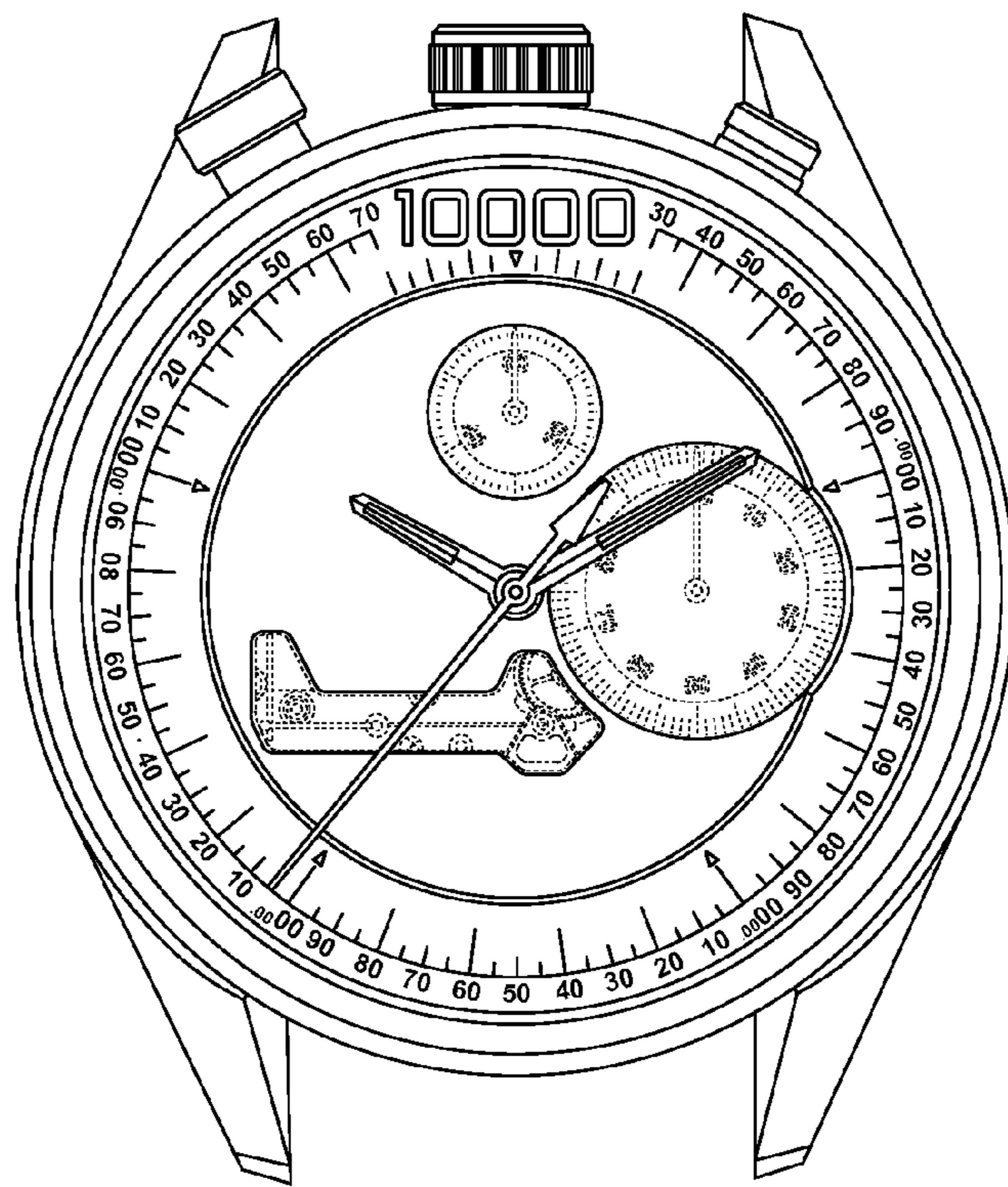


FIG. 3

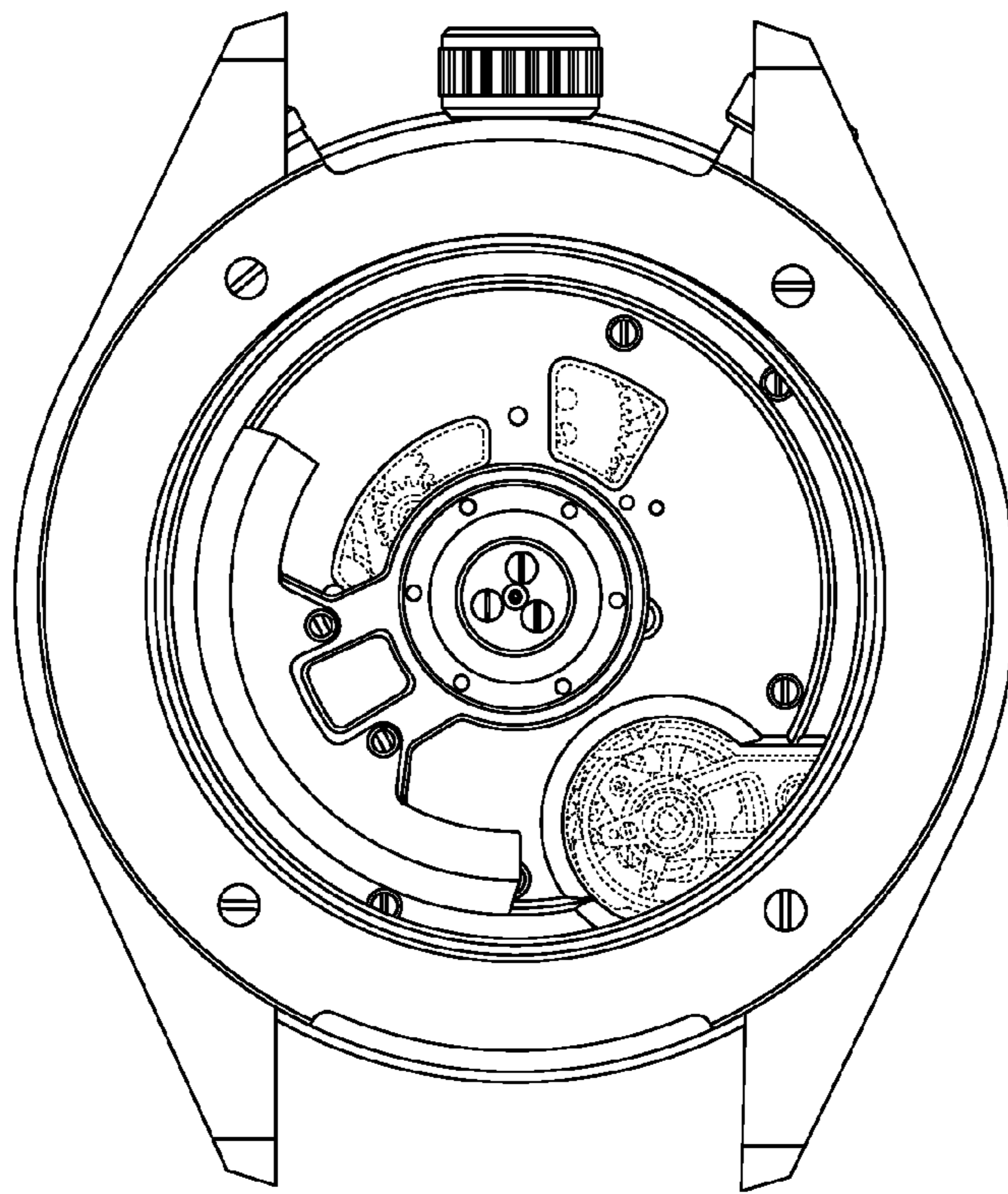


FIG. 4

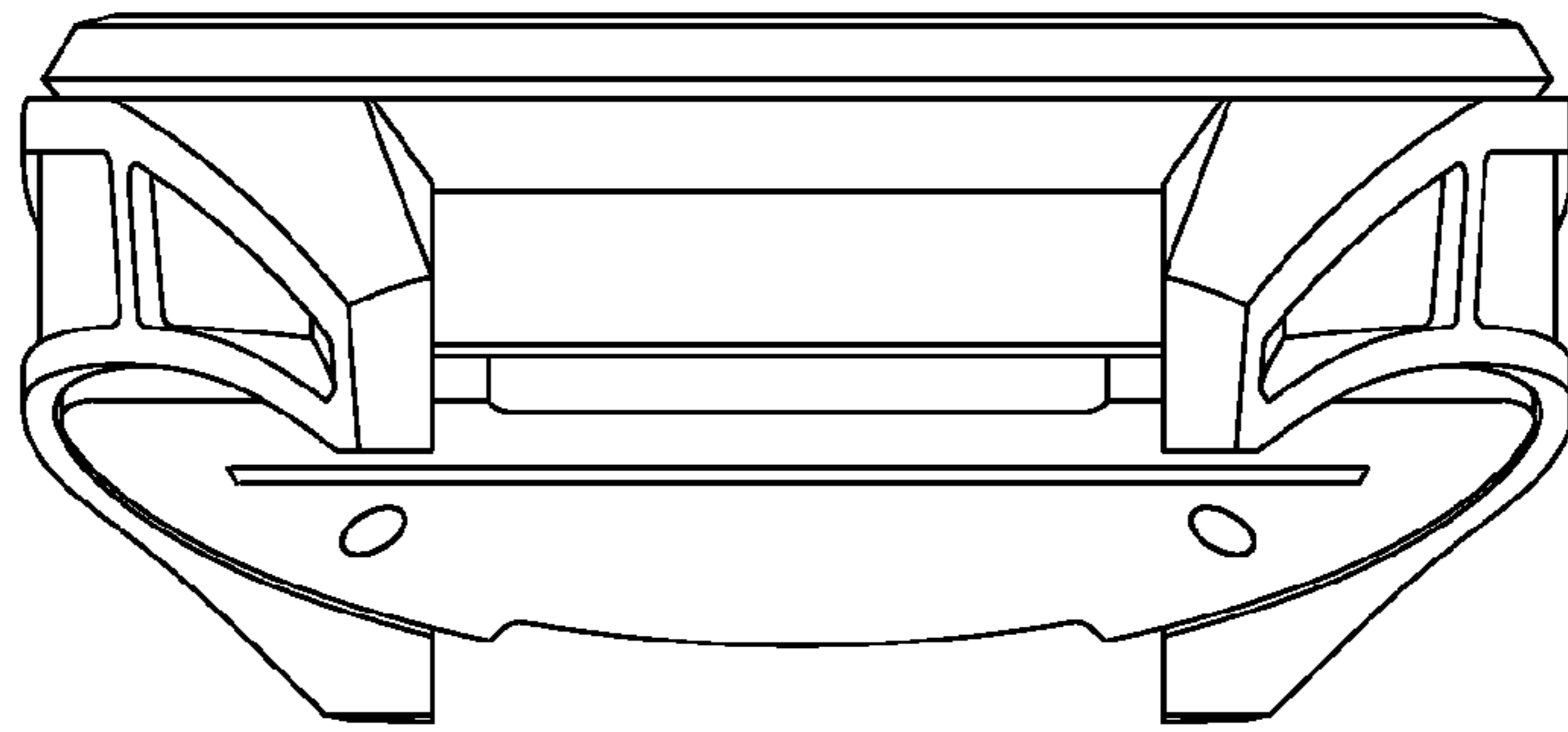


FIG. 5

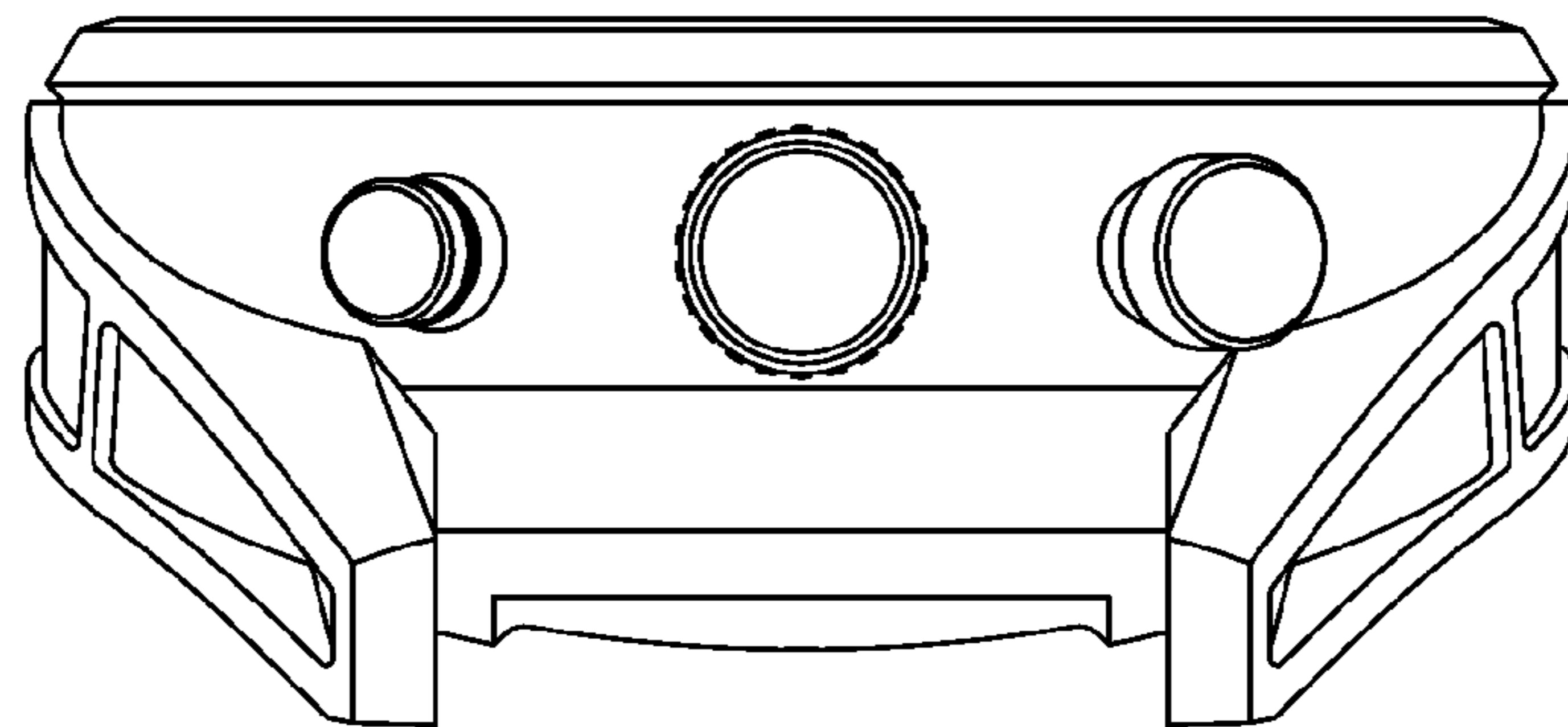


FIG. 6

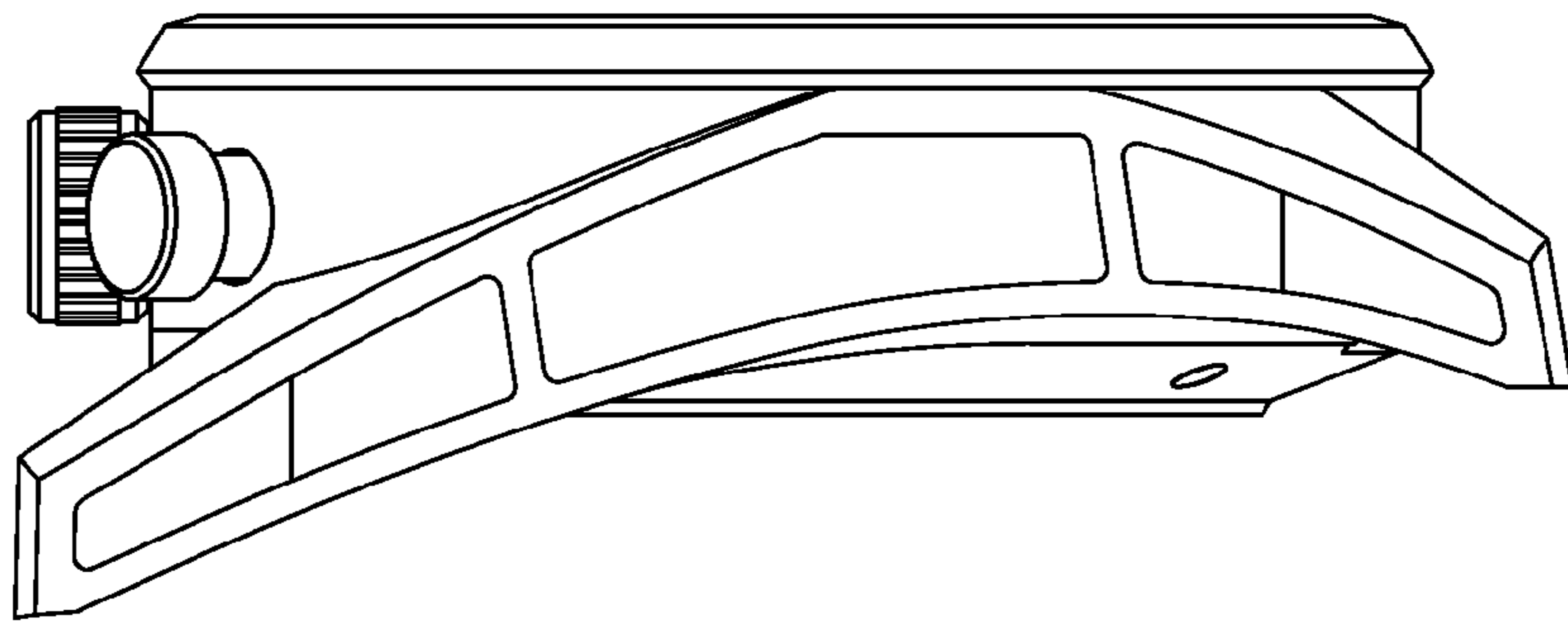


FIG. 7

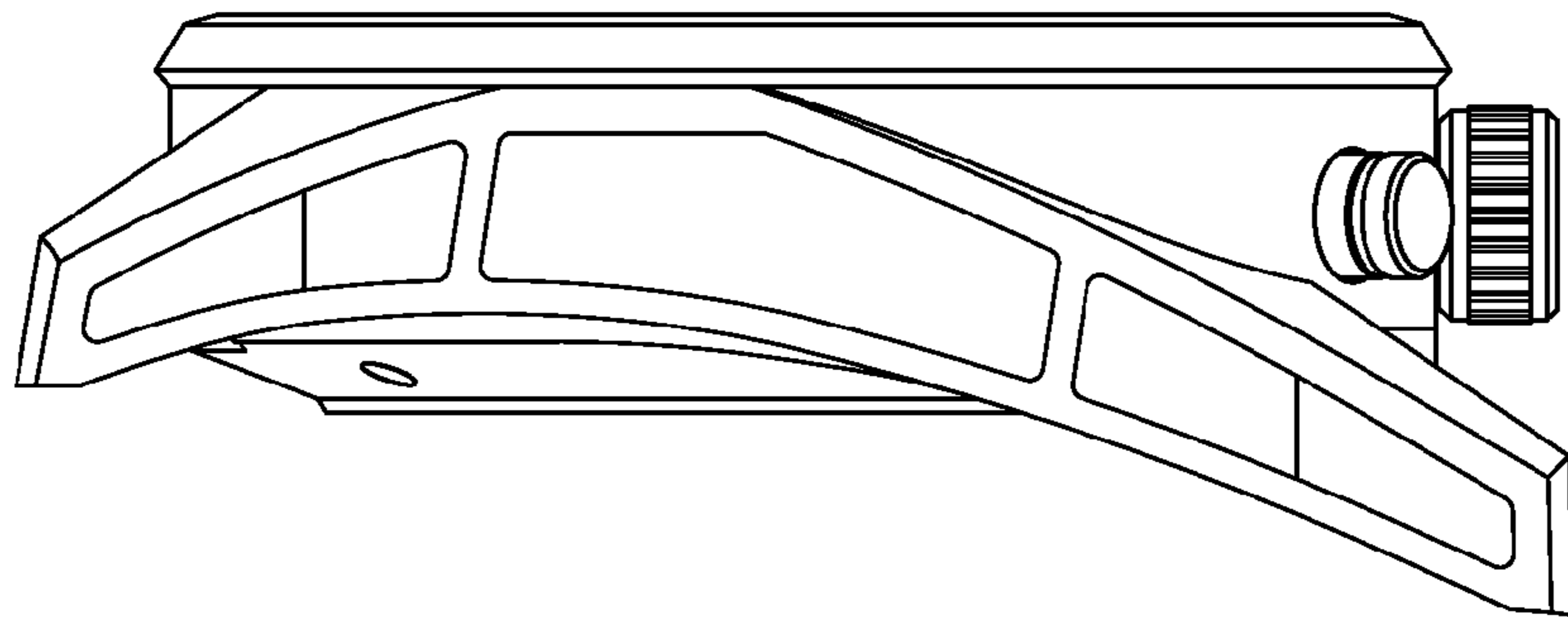


FIG. 8