



US00D734171S

(12) **United States Design Patent**
Bennett

(10) **Patent No.:** **US D734,171 S**
(45) **Date of Patent:** **** Jul. 14, 2015**

(54) **MULTI-PARTITION CONTAINER FOR EGGS AND UTENSILS**

(71) Applicant: **Ronald Bennett**, Booneville, IN (US)

(72) Inventor: **Ronald Bennett**, Booneville, IN (US)

(**) Term: **14 Years**

(21) Appl. No.: **29/462,713**

(22) Filed: **Aug. 7, 2013**

(51) **LOC (10) Cl.** **09-03**

(52) **U.S. Cl.**
USPC **D9/762**

(58) **Field of Classification Search**

USPC D9/761, 762, 737, 748, 749, 754, 755,
D9/700, 686, 688, 689, 390, 424-426,
D9/430-432, 434, 435, 454, 456; D3/201,
D3/203.1, 203.2, 203.3, 203.4, 203.5,
D3/203.6, 203.7, 203.8, 205, 273, 275,
D3/294, 302; 206/228, 354, 553, 557, 541,
206/775, 776, 119, 470, 508, 521.1, 545,
206/561, 564; D7/509, 513, 354, 392.1,
D7/394, 396.1, 538, 543-545, 550.1, 551,
D7/554.3, 553, 555, 587, 566, 575, 584,
D7/586, 619, 629, 667; D24/104, 226,
D24/230; 229/400-406, 932, 906.1;
220/500, 555, 657, 659, 904
CPC B65D 77/24; B65D 77/0433; B65D
81/3862; B65D 1/34; B65D 81/3813; B65D
5/48; B65D 5/48024; B65D 5/5069; B65D
25/00; B65D 85/32; B65D 81/3294; A23B
5/10

See application file for complete search history.

(56) **References Cited**

U.S. PATENT DOCUMENTS

D219,645 S * 1/1971 Rabe D7/555
D232,302 S * 8/1974 Lazure D9/761
D274,098 S * 5/1984 Kaufman D24/119
D279,865 S * 7/1985 McKee D9/737

D297,115 S * 8/1988 Fontana et al. D9/737
D297,116 S * 8/1988 Fontana et al. D9/737
D297,117 S * 8/1988 Fontana et al. D9/737
D297,119 S * 8/1988 Fontana et al. D9/737
D301,192 S * 5/1989 DeCoster D7/555
4,836,380 A * 6/1989 Walter et al. 206/561
5,111,951 A * 5/1992 Breen et al. 220/23.4
D330,855 S * 11/1992 Demopoulos D9/415
D339,522 S * 9/1993 Zoss D9/737

(Continued)

Primary Examiner — Susan Bennett Hattan

Assistant Examiner — Marie Fast Horse

(74) *Attorney, Agent, or Firm* — Brannon Sowers & Cracraft
PC; C. John Brannon

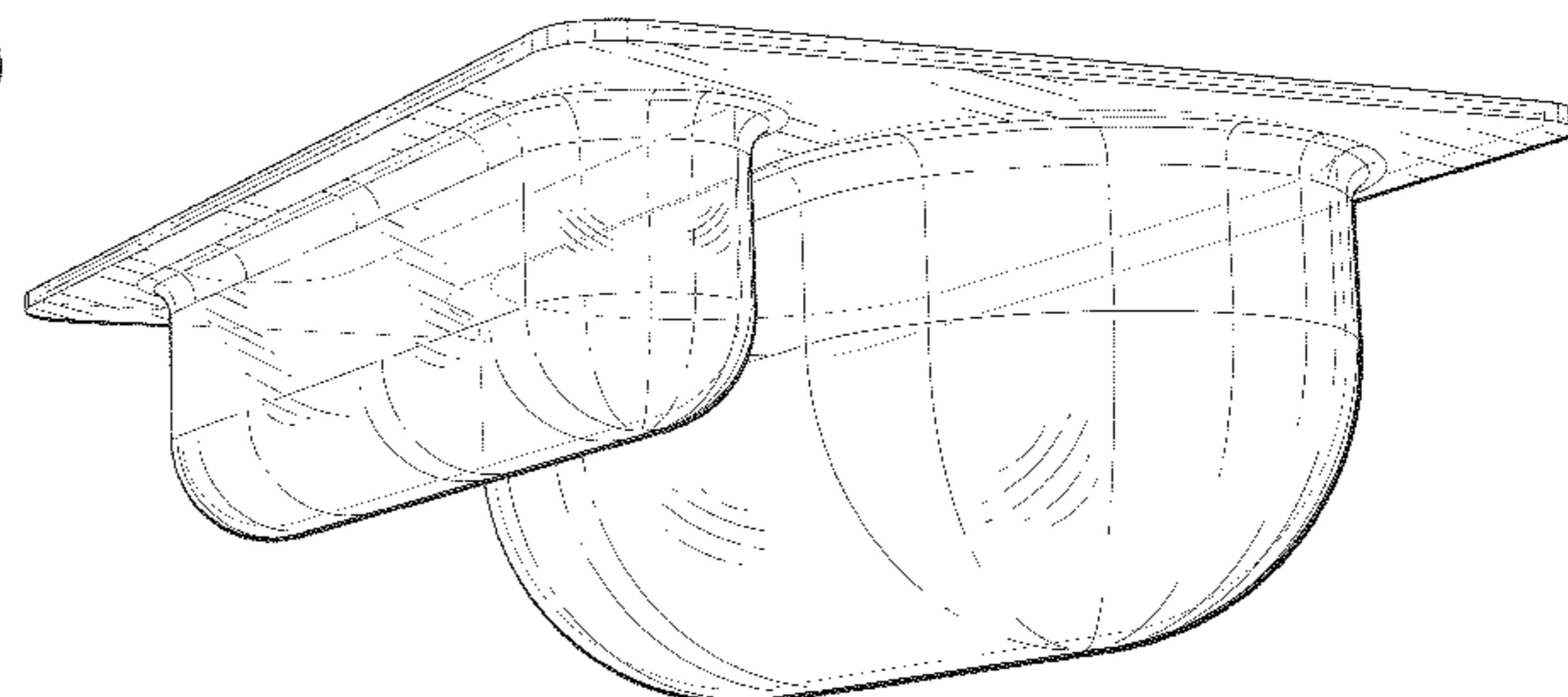
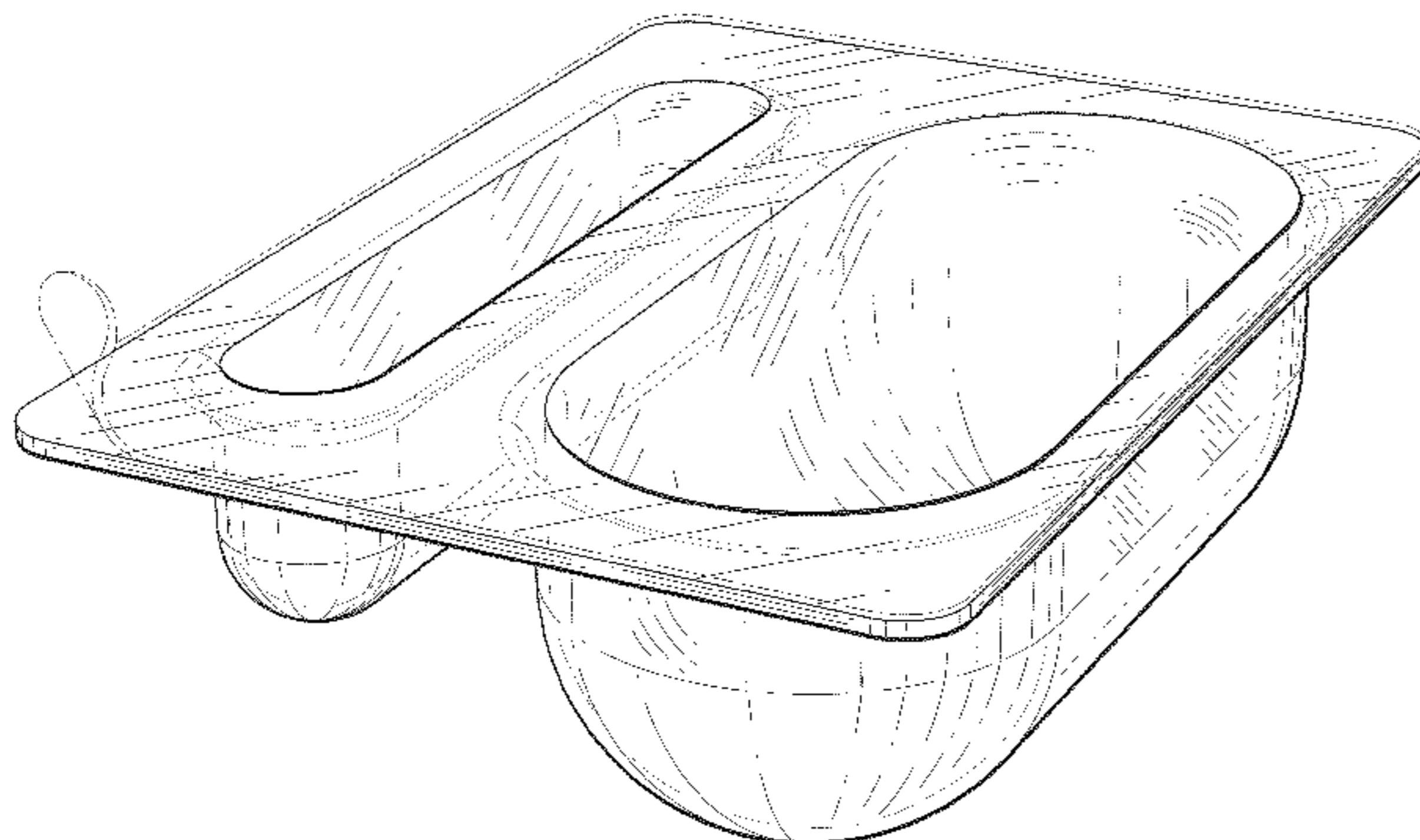
(57) **CLAIM**

The ornamental design for the multi-partition container for eggs and utensils, as shown and described.

DESCRIPTION

FIG. 1 is a front perspective view of a multi-partition container for eggs and utensils showing my new design.
FIG. 2 is a bottom perspective view of the multi-partition container for eggs and utensils shown in FIG. 1.
FIG. 3 is a front plan view of the multi-partition container for eggs and utensils shown in FIG. 1.
FIG. 4 is a top plan view of the multi-partition container for eggs and utensils shown in FIG. 1.
FIG. 5 is a right side view of the multi-partition container for eggs and utensils shown in FIG. 1.
FIG. 6 is a left side view of the multi-partition container for eggs and utensils shown in FIG. 1.
FIG. 7 is an inverted rear plan view of the multi-partition container for eggs and utensils shown in FIG. 1; and,
FIG. 8 is a bottom plan view of the multi-partition container for eggs and utensils shown in FIG. 1.
The broken lines showing the seal covering the top in FIG. 1 and the broken lines showing the eggs and utensils in FIG. 4 depict environmental subject matter only and form no part of the claimed design.

1 Claim, 5 Drawing Sheets



(56)

References Cited

U.S. PATENT DOCUMENTS

| | | | | | | | |
|--------------|---------|------------------------|--------|-------------------|---------|-----------------------|----------|
| D351,997 S * | 11/1994 | Finnah | D9/737 | D560,492 S * | 1/2008 | Markowicz et al. | D9/721 |
| D393,798 S * | 4/1998 | Joswick | D9/737 | D595,155 S * | 6/2009 | Larson | D9/761 |
| D398,524 S * | 9/1998 | Waterhouse | D9/737 | D596,903 S * | 7/2009 | Willis et al. | D7/553.2 |
| D420,855 S * | 2/2000 | Hurley | D7/549 | D650,637 S * | 12/2011 | Lasky et al. | D7/602 |
| D424,426 S * | 5/2000 | Fletcher | D9/737 | D665,250 S * | 8/2012 | Kirk et al. | D9/416 |
| D494,463 S * | 8/2004 | Tsao | D9/761 | D667,734 S * | 9/2012 | Goodman | D9/737 |
| D510,804 S * | 10/2005 | Horman | D3/304 | D685,654 S * | 7/2013 | Akana et al. | D9/737 |
| D515,438 S * | 2/2006 | Baranowski et al. | D9/737 | D700,509 S * | 3/2014 | Shirley et al. | D9/424 |
| D523,751 S * | 6/2006 | Vetrano | D9/456 | D713,742 S * | 9/2014 | Dzikowicz et al. | D9/761 |
| | | | | 2007/0172563 A1 * | 7/2007 | Markowicz et al. | 426/399 |
| | | | | 2008/0302698 A1 * | 12/2008 | Baker et al. | 206/564 |

* cited by examiner

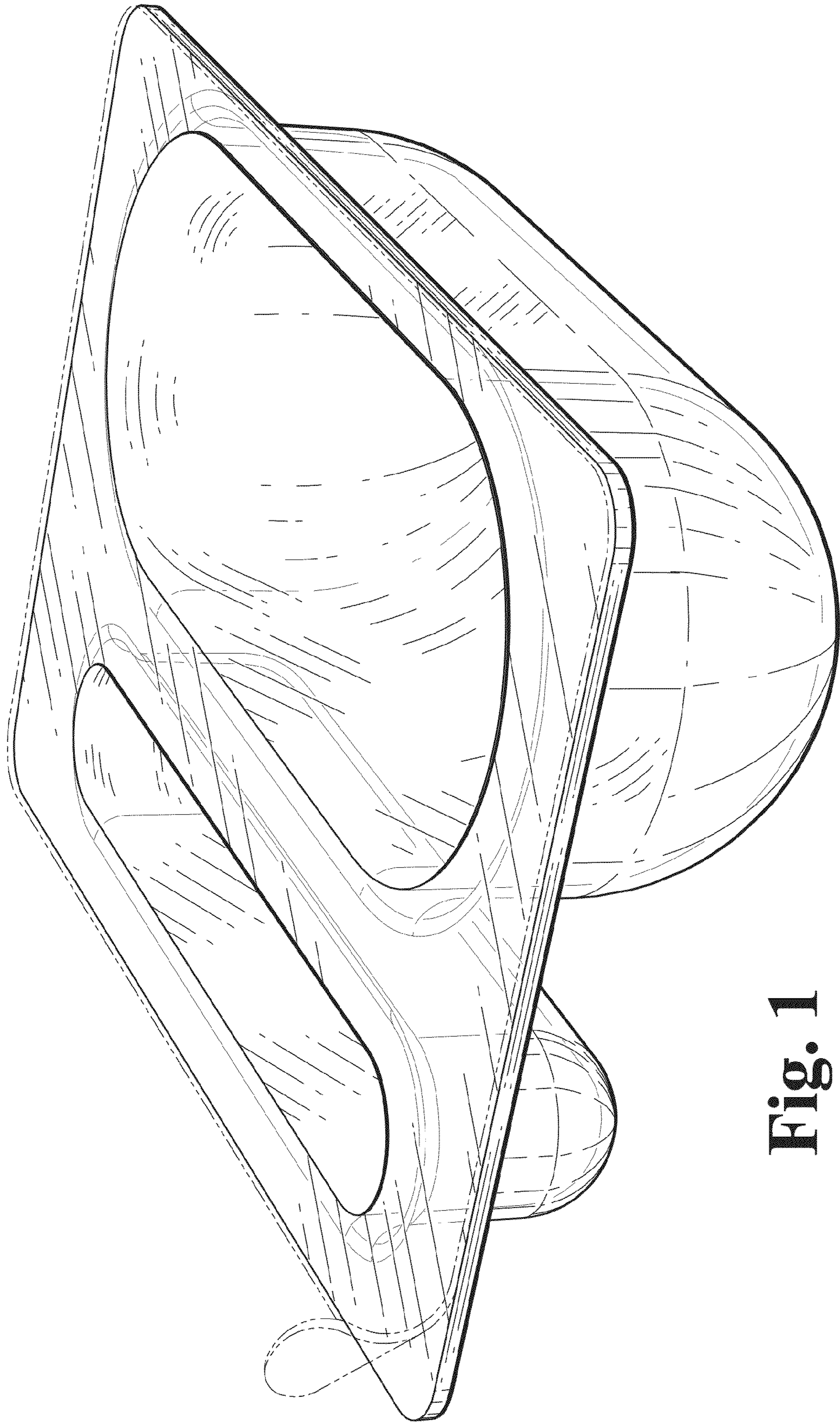


Fig. 1

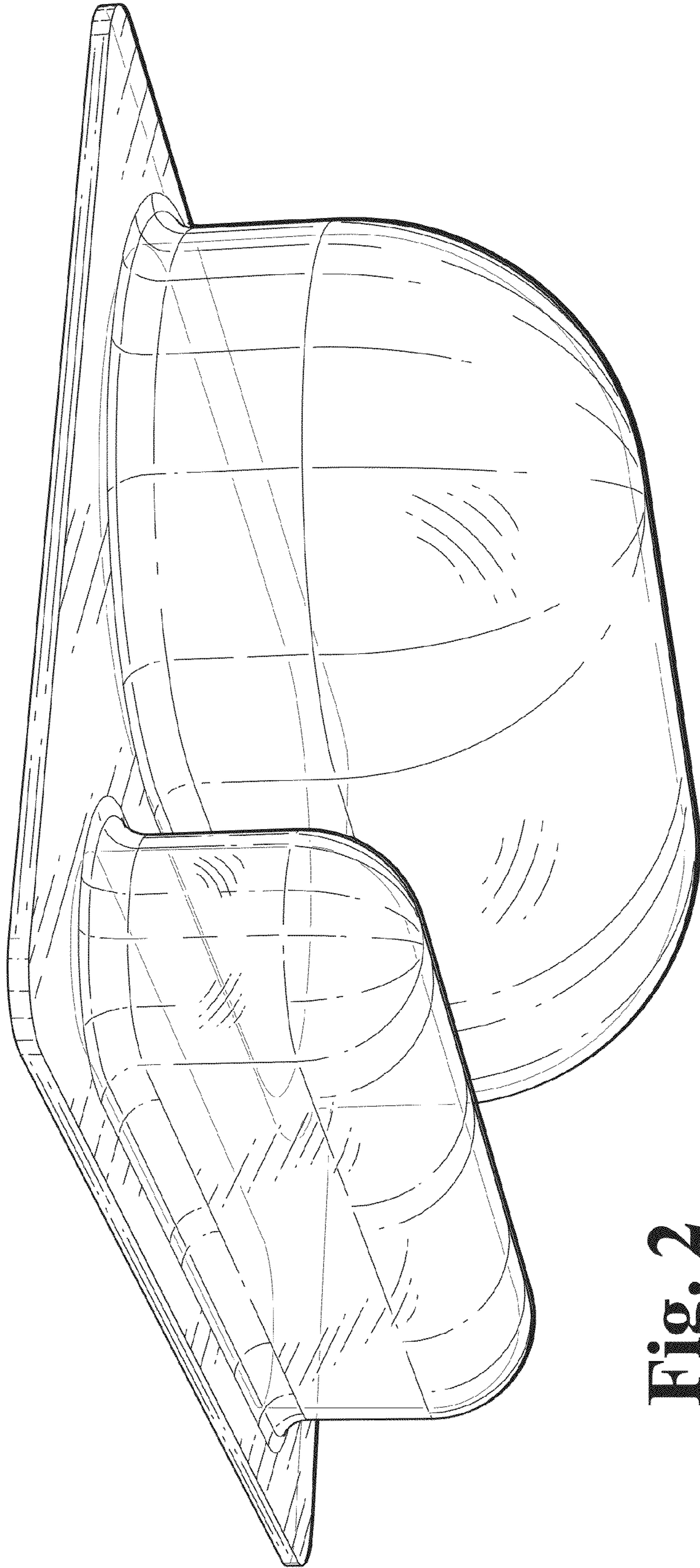


Fig. 2

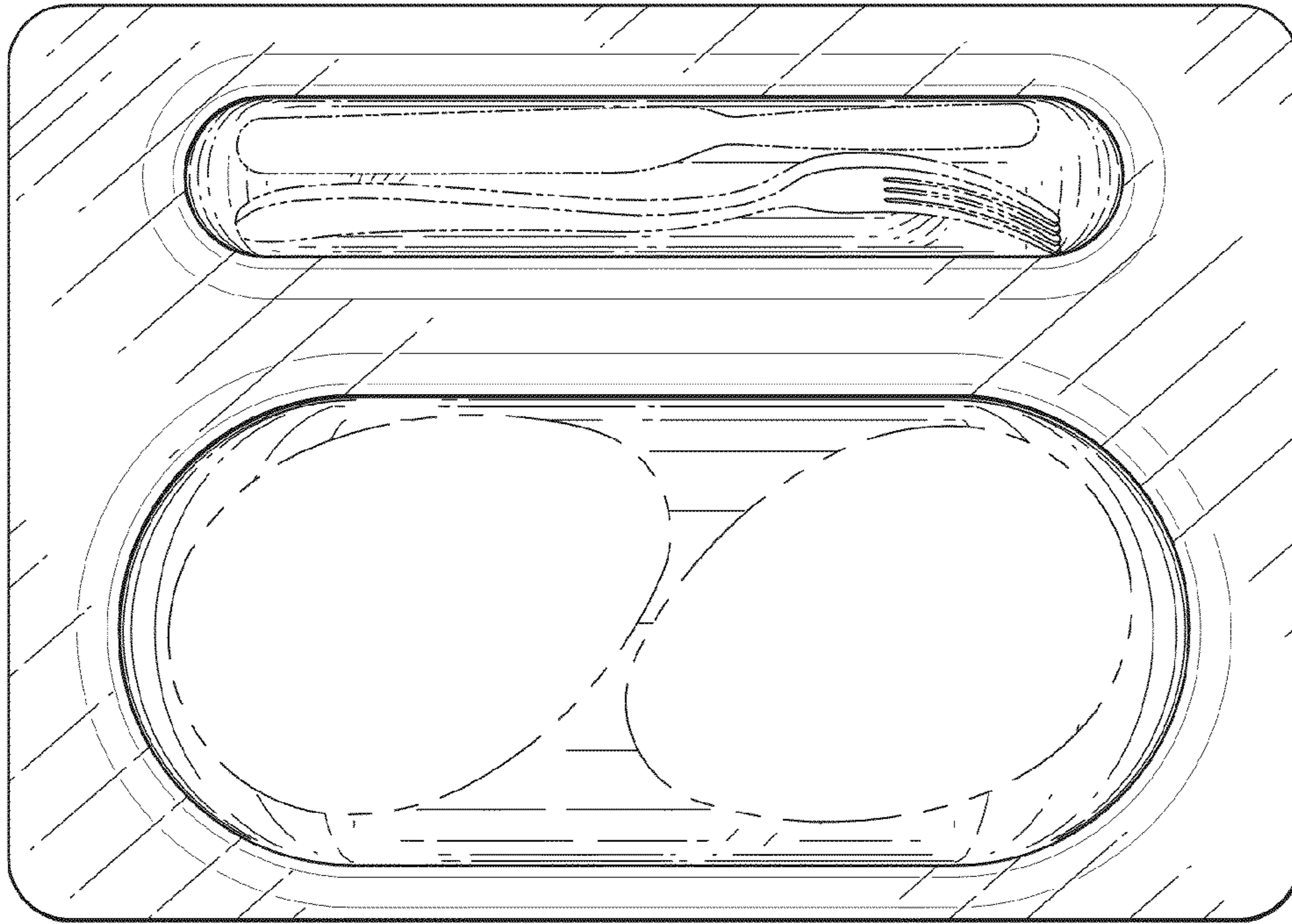


Fig. 4

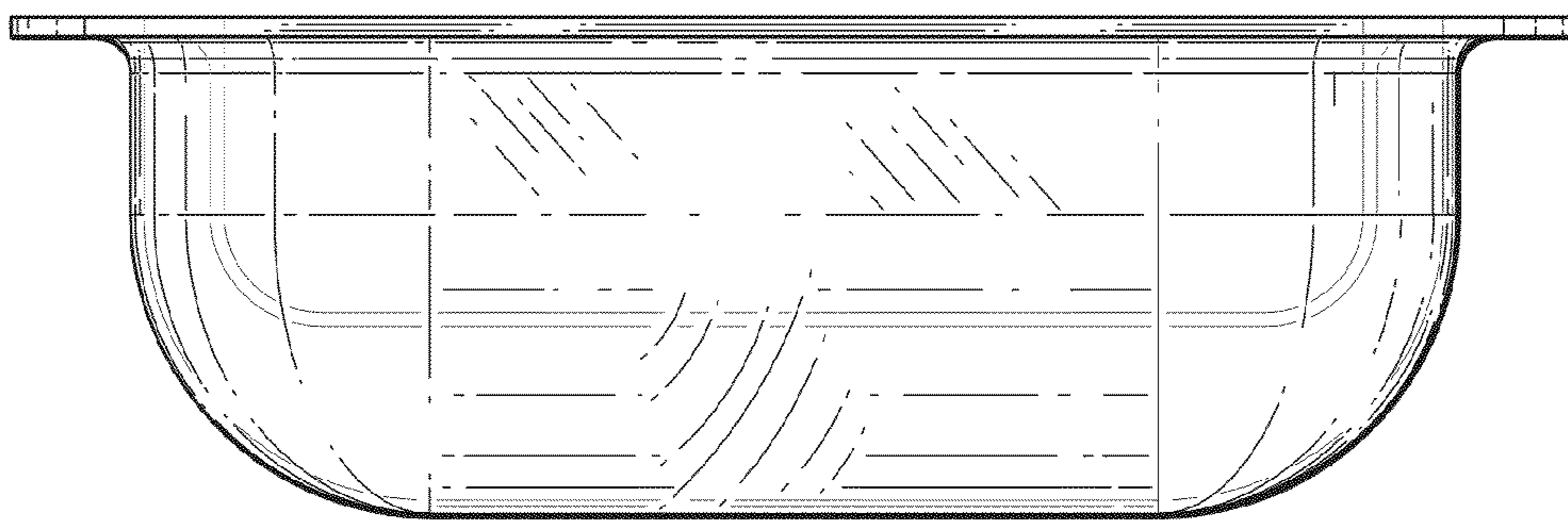


Fig. 3

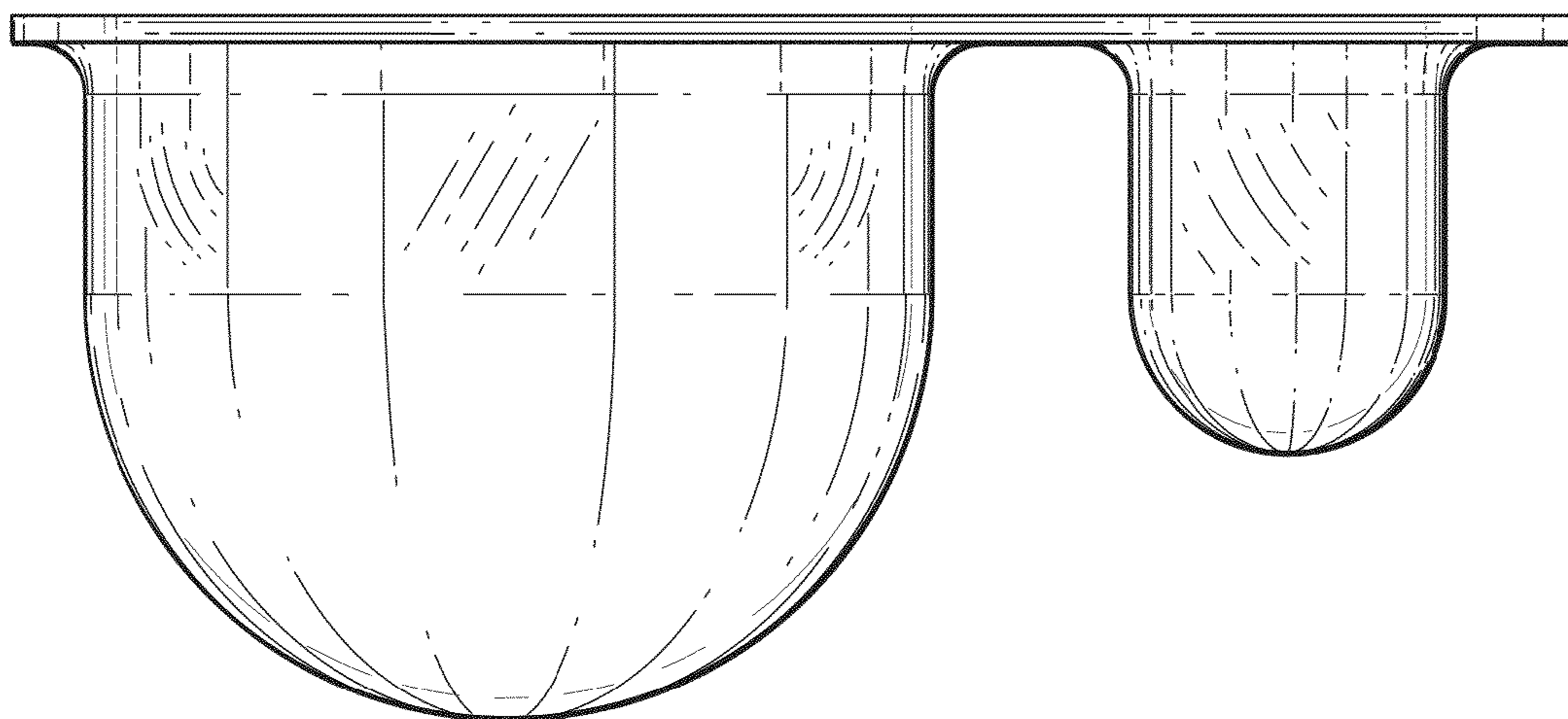


Fig. 5

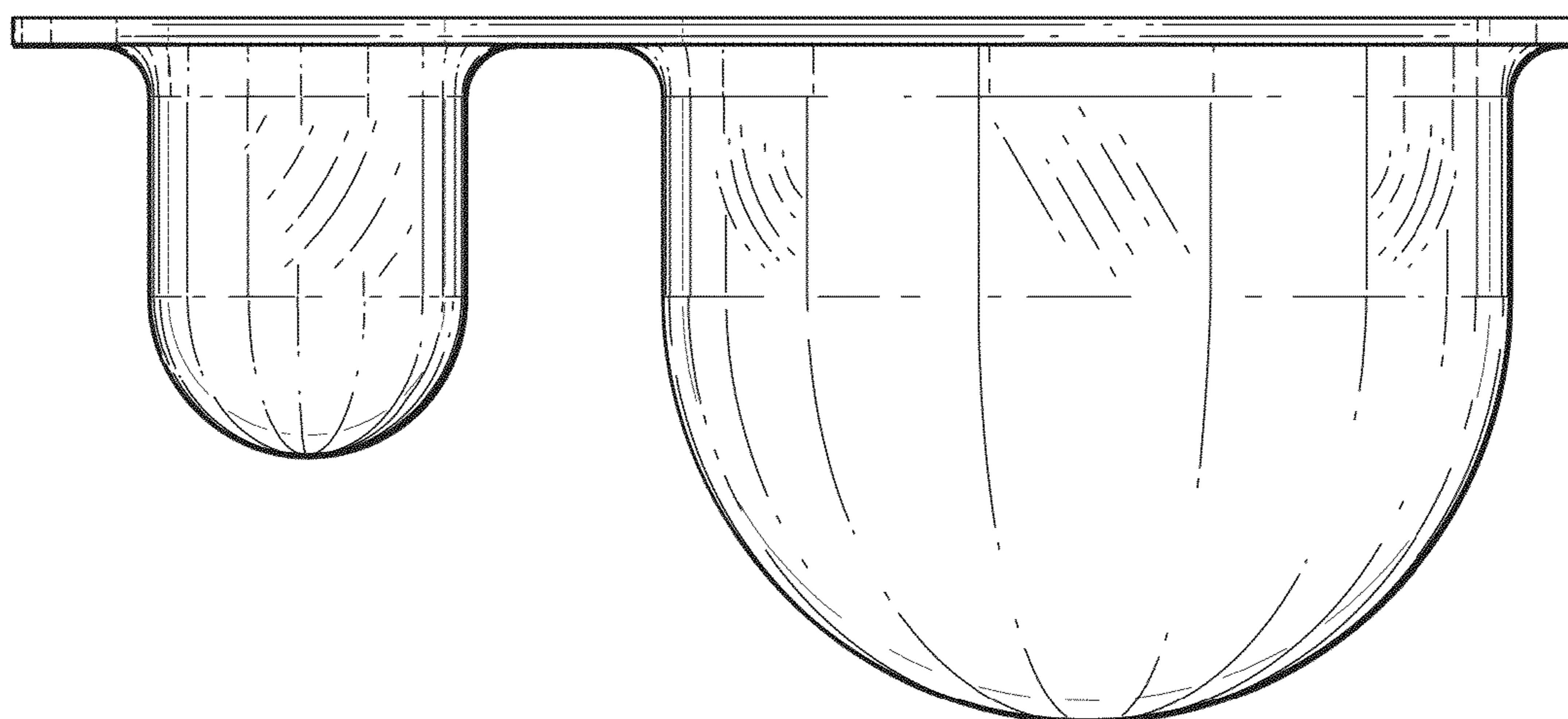


Fig. 6

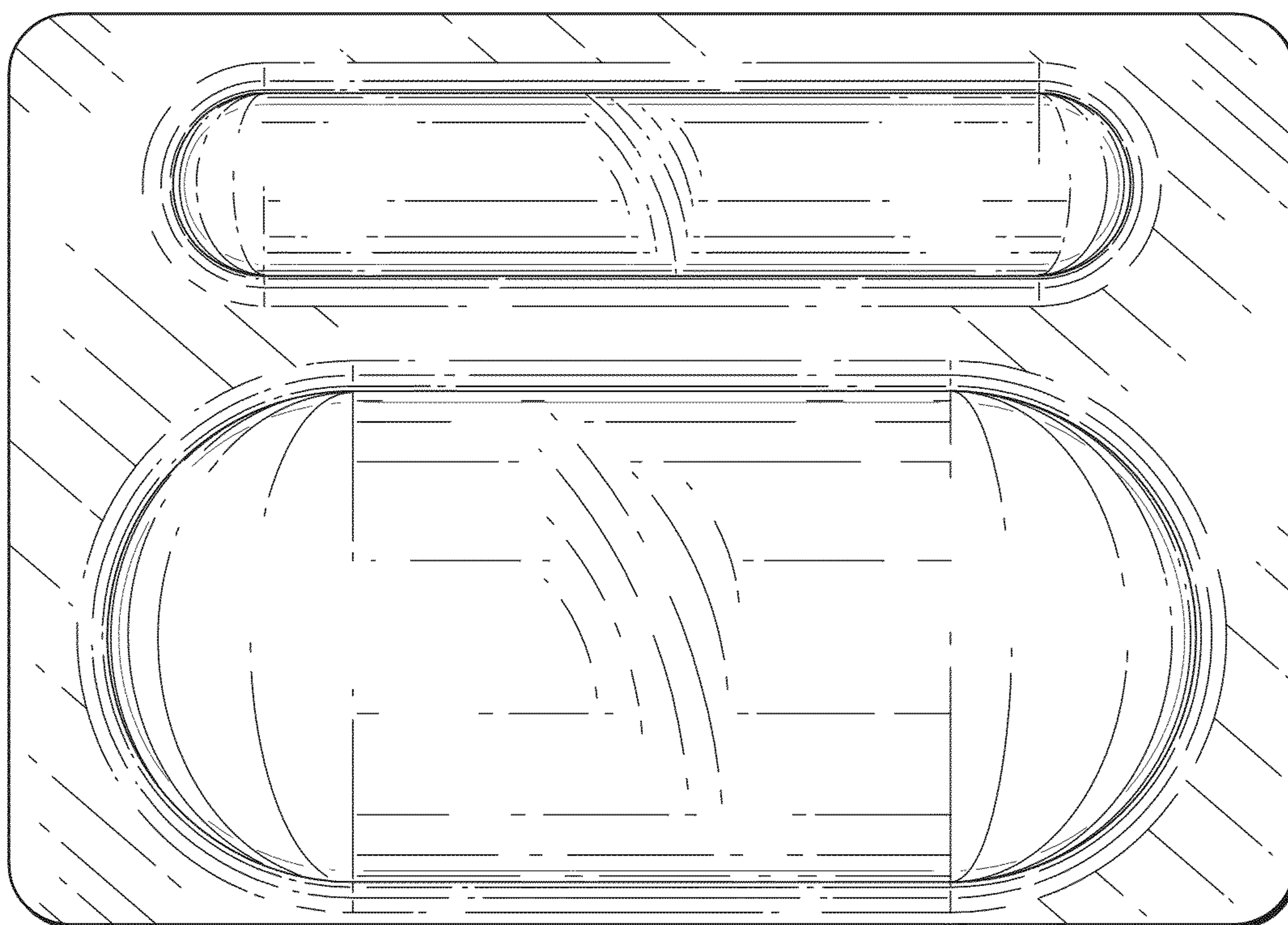


Fig. 8

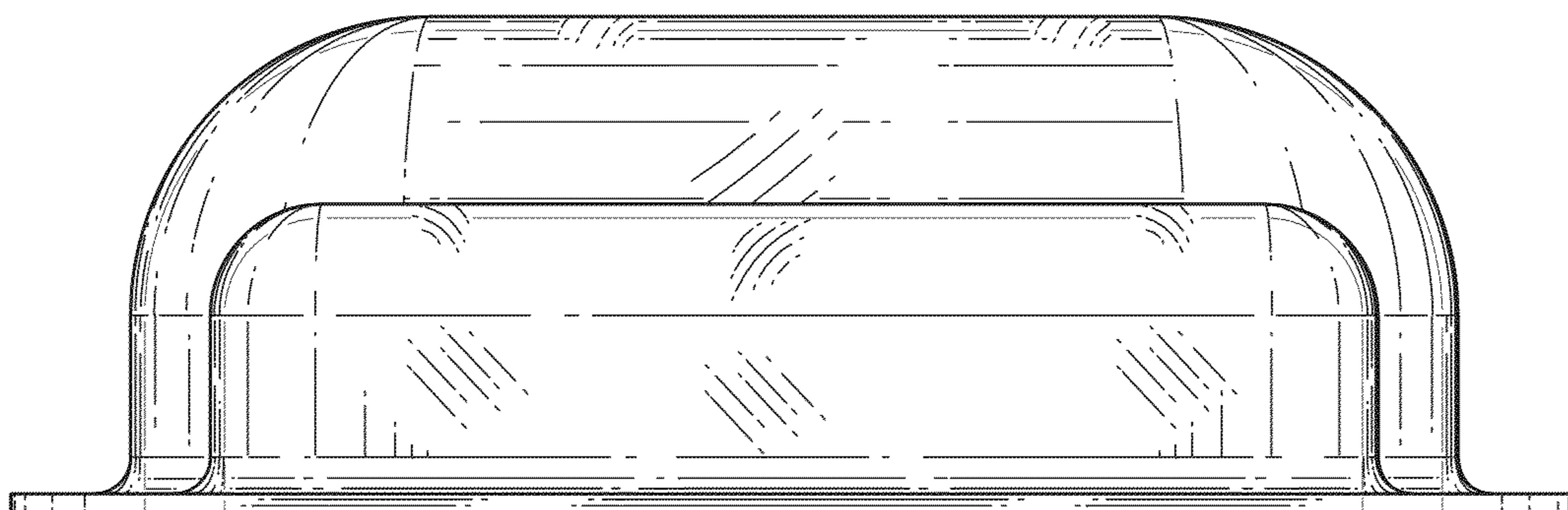


Fig. 7