



US00D734169S

(12) **United States Design Patent**  
**Harper**

(10) **Patent No.:** **US D734,169 S**

(45) **Date of Patent:** **\*\* Jul. 14, 2015**

(54) **CIGAR PACKAGE**

(71) Applicant: **PRINTPACK ILLINOIS, INC.**, Elgin, IL (US)

(72) Inventor: **Terrence P. Harper**, Alpharetta, GA (US)

(73) Assignee: **Printpack Illinois, Inc.**, Elgin, IL (US)

(\*\*) Term: **14 Years**

(21) Appl. No.: **29/469,895**

(22) Filed: **Oct. 15, 2013**

(51) **LOC (10) Cl.** ..... **09-03**

(52) **U.S. Cl.**  
USPC ..... **D9/756**

(58) **Field of Classification Search**

USPC ..... D9/756, 737, 748, 749, 754, 755, 700, D9/686, 688, 689, 390, 424, 425, 434, 435, D9/454, 456, 416, 426, 428, 429, 430, 432, D9/759, 760, 761; D3/201, 203.1, 203.2, D3/203.3, 203.4, 203.5, 203.6, 203.7, D3/203.8, 205, 273, 275, 294, 302; 206/228, 354, 553, 557, 541, 775, 776, 206/119, 470, 508, 521.1, 545; D7/509, D7/513, 354, 392.1, 394, 396.1, 538, D7/543-545, 550.1, 551, 554.3, 587, 566, D7/575, 584, 586, 619, 629, 667; D24/104, 226, 230; 229/400-406, 932, 229/906.1; D27/187, 189  
CPC ..... B65D 77/24; B65D 77/0433; B65D 81/3862; B65D 1/34; B65D 81/3813; B65D 5/48; B65D 5/48024; B65D 5/5069; B65D 25/00; B65D 85/08; B65D 85/1018; B65D 85/12; B65D 35/00

See application file for complete search history.

(56) **References Cited**

U.S. PATENT DOCUMENTS

D23,579 S *	8/1894	Walters	.....	D27/189
D26,729 S *	3/1897	Jacques	.....	D9/755
961,692 A *	6/1910	Gilfillian	.....	229/87.12
1,076,007 A *	10/1913	Gilfillian	.....	229/87.12
1,076,008 A *	10/1913	Gilfillian	.....	229/87.12
1,430,637 A *	10/1922	Gaede	.....	206/256
1,458,585 A *	6/1923	McCrosson	.....	206/274
2,005,039 A *	6/1935	Kayner	.....	206/258
2,275,761 A *	3/1942	Hoffmann	.....	206/261
D147,120 S *	7/1947	Dietrich	.....	D27/187
D154,682 S *	8/1949	Hoag	.....	D9/756
D155,932 S *	11/1949	Shepard	.....	D9/737
D166,492 S *	4/1952	Randall	.....	D9/756
D166,493 S *	4/1952	Randall	.....	D9/756
D172,663 S *	7/1954	Despres	.....	D9/456
2,885,071 A *	5/1959	Rodnon	.....	206/258
2,897,962 A *	8/1959	Zackheim	.....	206/369
3,121,492 A *	2/1964	De Paul et al.	.....	206/264

(Continued)

*Primary Examiner* — Susan Bennett Hattan

*Assistant Examiner* — Marie Fast Horse

(74) *Attorney, Agent, or Firm* — Sutherland Asbill & Brennan LLP

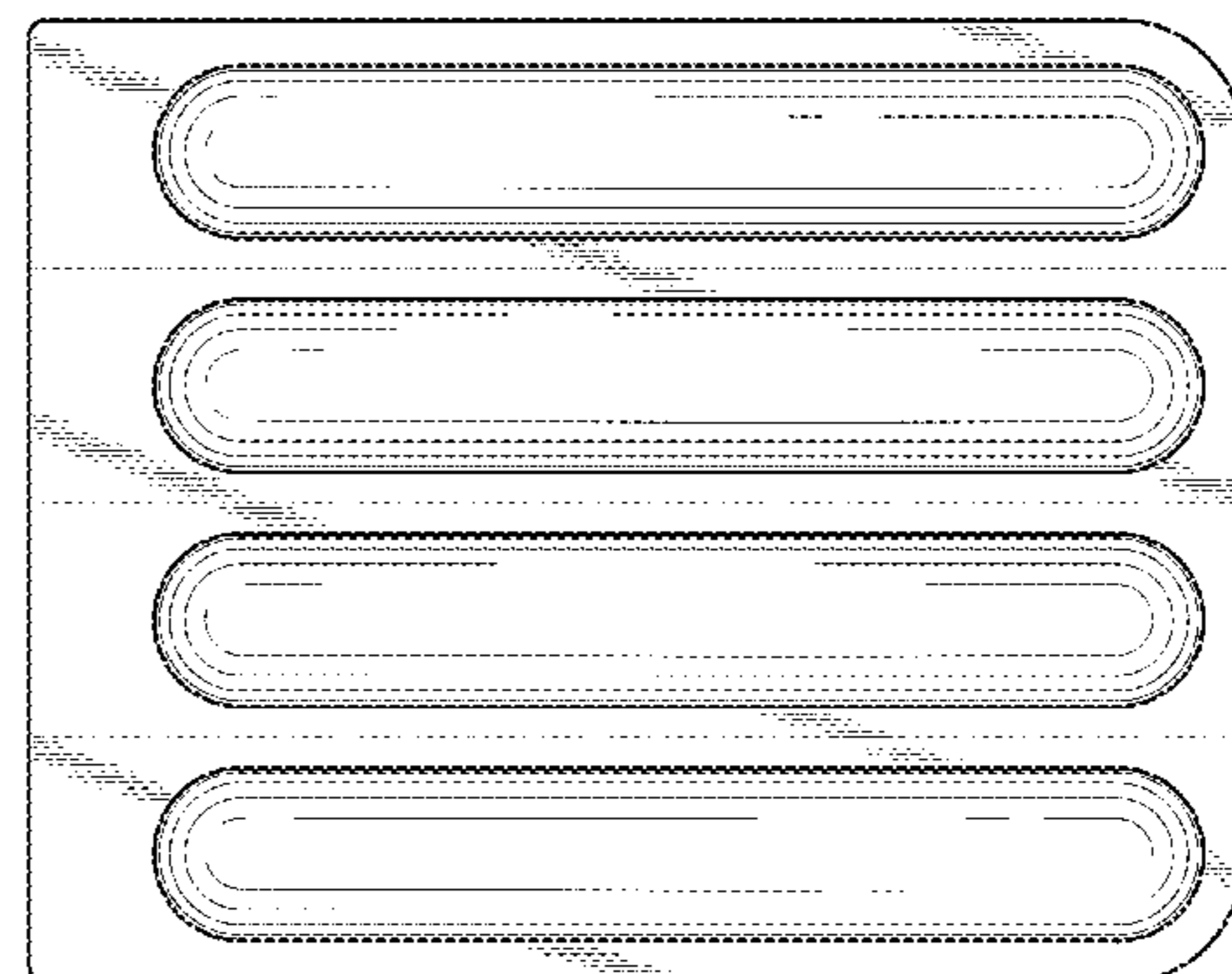
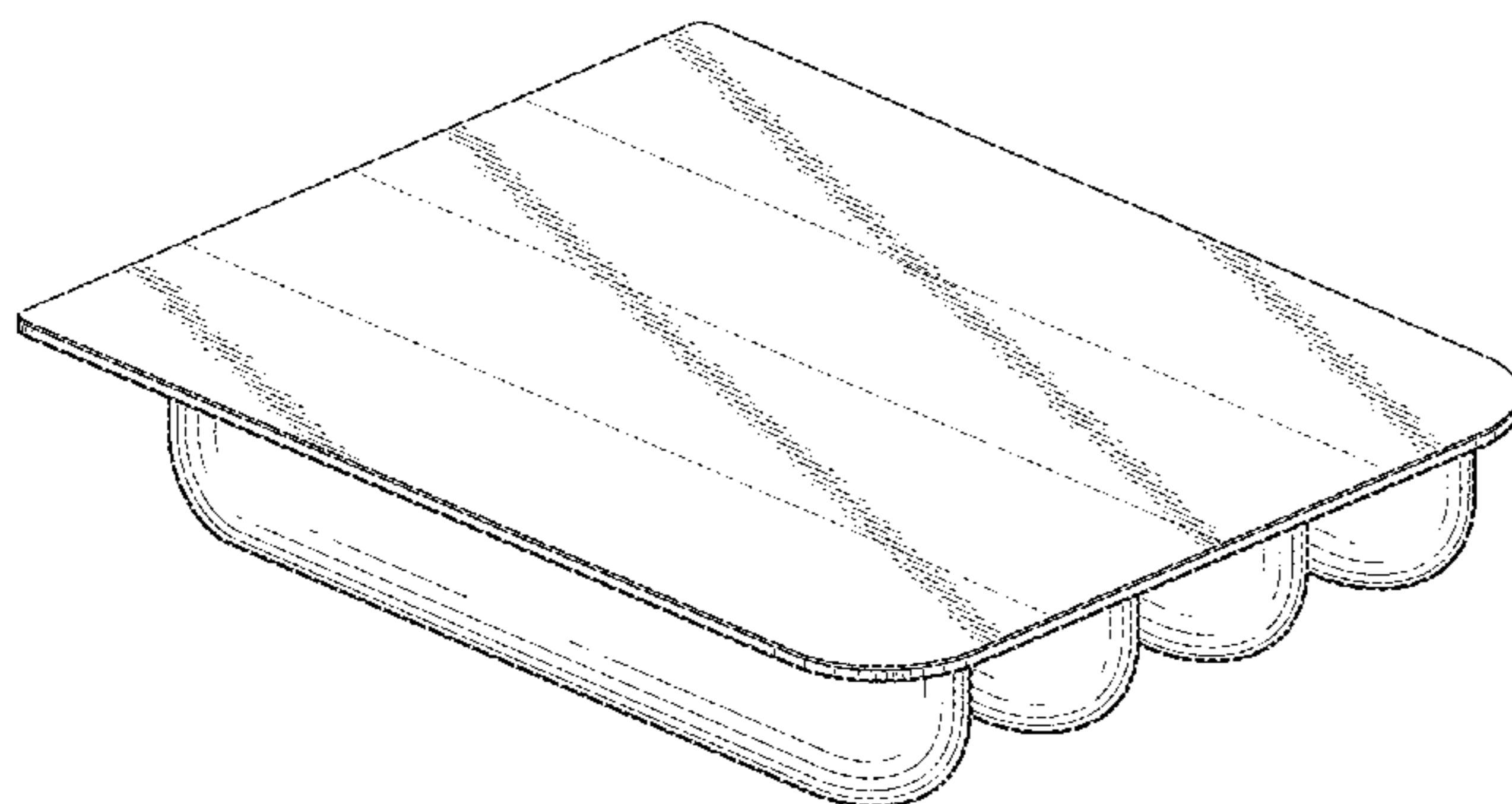
(57) **CLAIM**

The ornamental design for a cigar package, as shown and described.

**DESCRIPTION**

FIG. 1 is a forward upper perspective view of a cigar package according to my new design;  
FIG. 2 is a forward side view thereof;  
FIG. 3 is a top view thereof;  
FIG. 4 is a side view thereof;  
FIG. 5 is a bottom view thereof;  
FIG. 6 is a forward upper perspective view thereof illustrating partial removal of a peel away covering; and,  
FIG. 7 is a forward upper perspective view thereof illustrating separation of a portion of the cigar package.  
The broken lines are directed to the perforated parts of the cigar package and form no part of the claimed design.

**1 Claim, 4 Drawing Sheets**



(56)

References Cited

U.S. PATENT DOCUMENTS

D202,529	S *	10/1965	Rosebrook	.....	D15/90	6,413,599	B1 *	7/2002	Petricca et al.	.....	428/35.7
3,214,009	A *	10/1965	Tamarin	.....	206/250	6,427,841	B2 *	8/2002	Wani et al.	.....	206/705
3,216,832	A *	11/1965	King	.....	53/405	6,499,595	B1 *	12/2002	Petricca	.....	206/356
3,270,877	A *	9/1966	Hecker	.....	206/564	6,516,949	B2 *	2/2003	Fuller et al.	.....	206/530
3,325,000	A *	6/1967	Edwards	.....	206/256	D478,810	S *	8/2003	Wilson	.....	D9/732
3,371,775	A *	3/1968	Butler	.....	206/258	D479,125	S *	9/2003	Kumakura et al.	.....	D9/415
D212,411	S *	10/1968	Schelmetic	.....	D9/456	D479,126	S *	9/2003	Kumakura et al.	.....	D9/415
D215,823	S *	11/1969	Bridgford	.....	D9/456	D479,688	S *	9/2003	Kumakura et al.	.....	D9/457
3,676,159	A *	7/1972	Fallowfield	.....	206/205	D482,970	S *	12/2003	Kumakura et al.	.....	D9/457
3,809,221	A *	5/1974	Compere	.....	206/531	D506,396	S *	6/2005	Raile	.....	D9/756
D247,425	S *	3/1978	Cordell, Jr.	.....	D9/756	D508,398	S *	8/2005	Lee et al.	.....	D9/415
4,173,978	A *	11/1979	Brown	.....	604/3	D510,804	S *	10/2005	Horman	.....	D3/304
4,218,155	A *	8/1980	Weidner	.....	401/132	D523,751	S *	6/2006	Vetrano	.....	D9/456
4,232,787	A *	11/1980	Holiday	.....	206/443	D535,054	S *	1/2007	Zilberman	.....	D27/189
D262,095	S *	12/1981	Takahashi	.....	D9/700	D536,261	S *	2/2007	Raile	.....	D9/756
4,342,395	A *	8/1982	Brown	.....	206/530	D543,866	S *	6/2007	Mikkelsen	.....	D9/732
RE31,571	E *	5/1984	Mann	.....	206/443	D573,303	S *	7/2008	Fuente	.....	D27/189
D273,765	S *	5/1984	Cillario	.....	D9/761	D575,148	S *	8/2008	Sagel	.....	D9/761
D274,098	S *	5/1984	Kaufman	.....	D24/119	D580,788	S *	11/2008	Scholefield	.....	D9/756
D274,693	S *	7/1984	Cruz	.....	D9/756	D636,219	S *	4/2011	Cornu et al.	.....	D7/354
D330,855	S *	11/1992	Demopoulos	.....	D9/415	D649,886	S *	12/2011	Ocampo	.....	D9/748
D336,406	S *	6/1993	Wytiuk	.....	D7/504	D655,165	S *	3/2012	Jensen et al.	.....	D9/456
D353,765	S *	12/1994	Kocis et al.	.....	D9/761	D660,719	S *	5/2012	McDermott et al.	.....	D9/707
D361,936	S *	9/1995	Bankier	.....	D9/456	D665,250	S *	8/2012	Kirk et al.	.....	D9/416
D370,177	S *	5/1996	Bankier	.....	D9/456	D669,367	S *	10/2012	McDermott et al.	.....	D9/707
5,586,657	A *	12/1996	Ward et al.	.....	206/705	D671,146	S *	11/2012	Kathmann	.....	D15/21
D383,495	S *	9/1997	Mollet	.....	D19/85	D676,334	S *	2/2013	McDermott et al.	.....	D9/707
5,749,461	A *	5/1998	Guzman	.....	206/245	D682,710	S *	5/2013	McDermott et al.	.....	D9/707
5,820,904	A *	10/1998	Mello et al.	.....	426/119	D685,651	S *	7/2013	Hjalmarsson	.....	D9/732
D404,887	S *	2/1999	Prins	.....	D1/129	D703,551	S *	4/2014	Kirchmayr et al.	.....	D9/732
D417,146	S *	11/1999	St. Pierre et al.	.....	D9/732	D714,161	S *	9/2014	Crawford et al.	.....	D9/707
D423,344	S *	4/2000	Kumakura et al.	.....	D9/415	D719,719	S *	12/2014	Grolimund	.....	D1/121
D424,941	S *	5/2000	Boutour	.....	D9/456	8,919,544	B2 *	12/2014	Lee	.....	206/45.24
D430,013	S *	8/2000	Shurtleff et al.	.....	D9/749	D725,264	S *	3/2015	Zhang et al.	.....	D24/133
6,116,420	A *	9/2000	Hall et al.	.....	206/380	2010/0065562	A1 *	3/2010	Vovan	.....	220/23.4
						2011/0139646	A1 *	6/2011	Sonnenberg	.....	206/352
						2012/0042883	A1 *	2/2012	Hillard	.....	131/58

\* cited by examiner

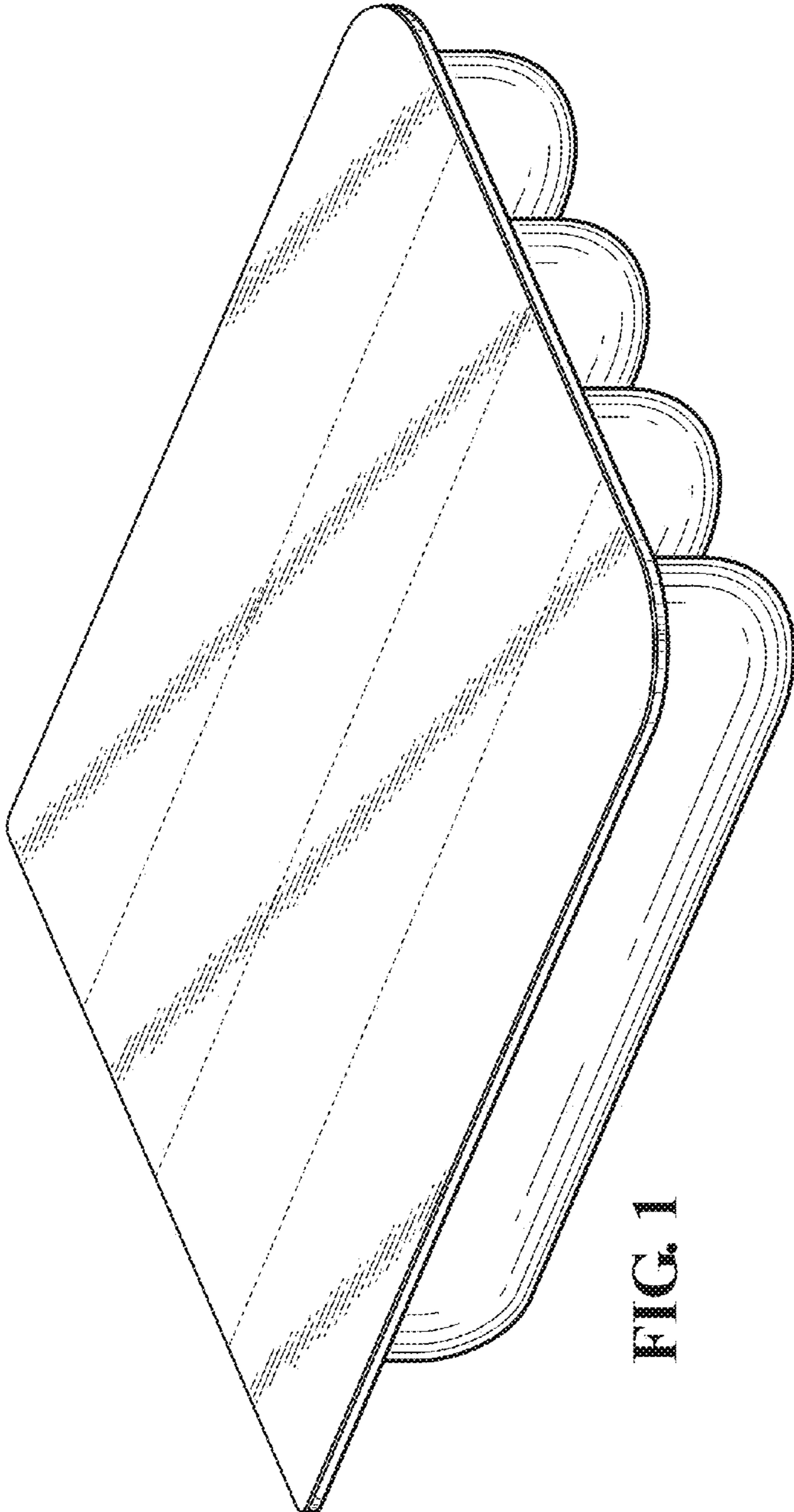


FIG. 1

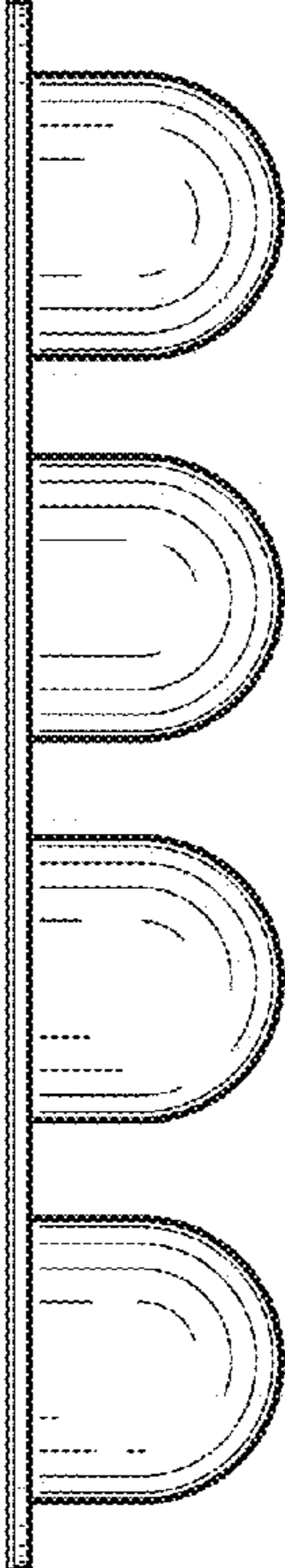


FIG. 2

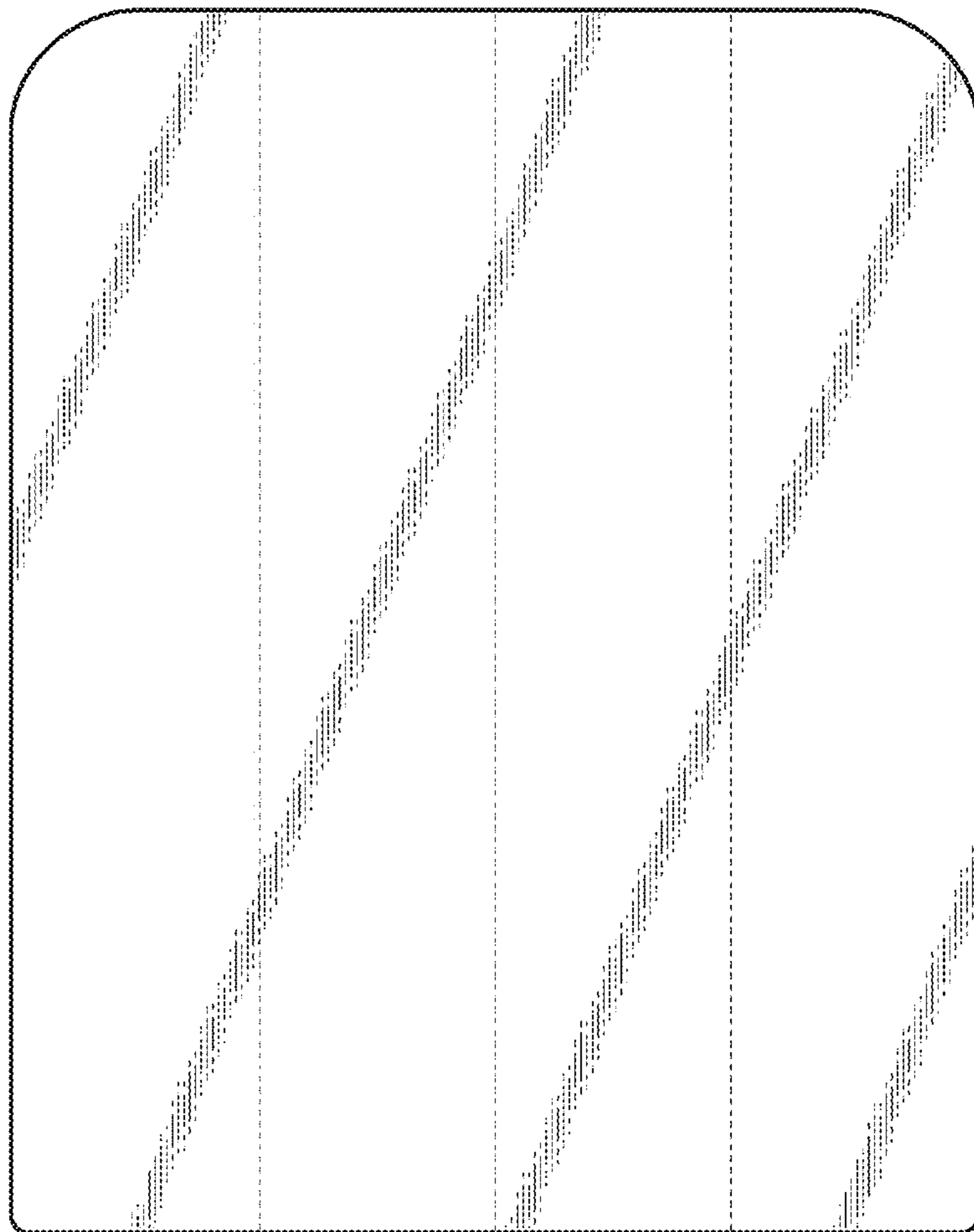


FIG. 3

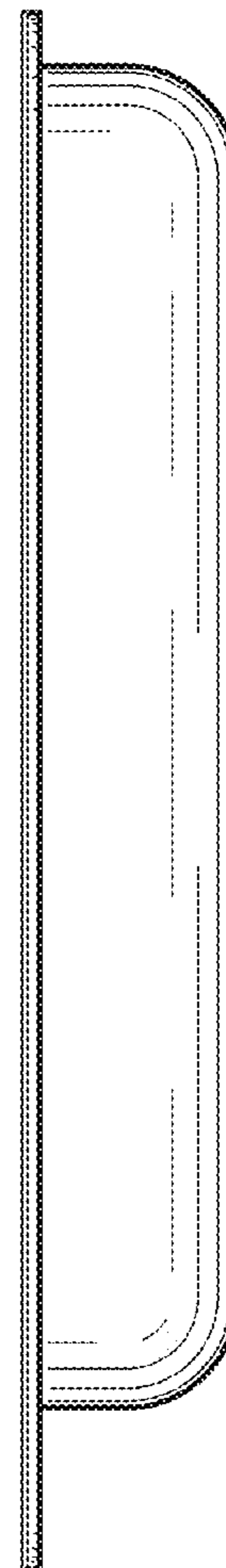


FIG. 4

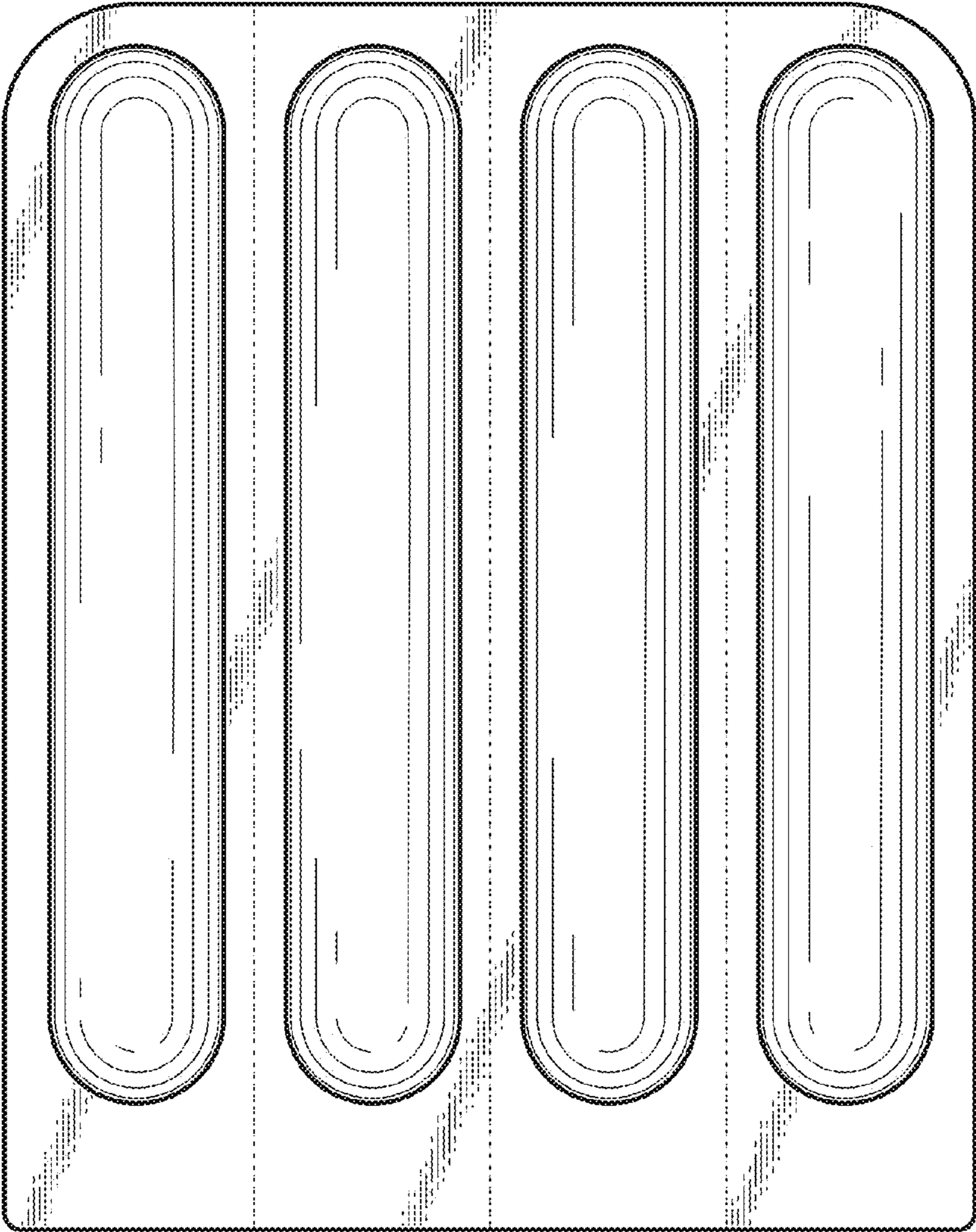


FIG. 5

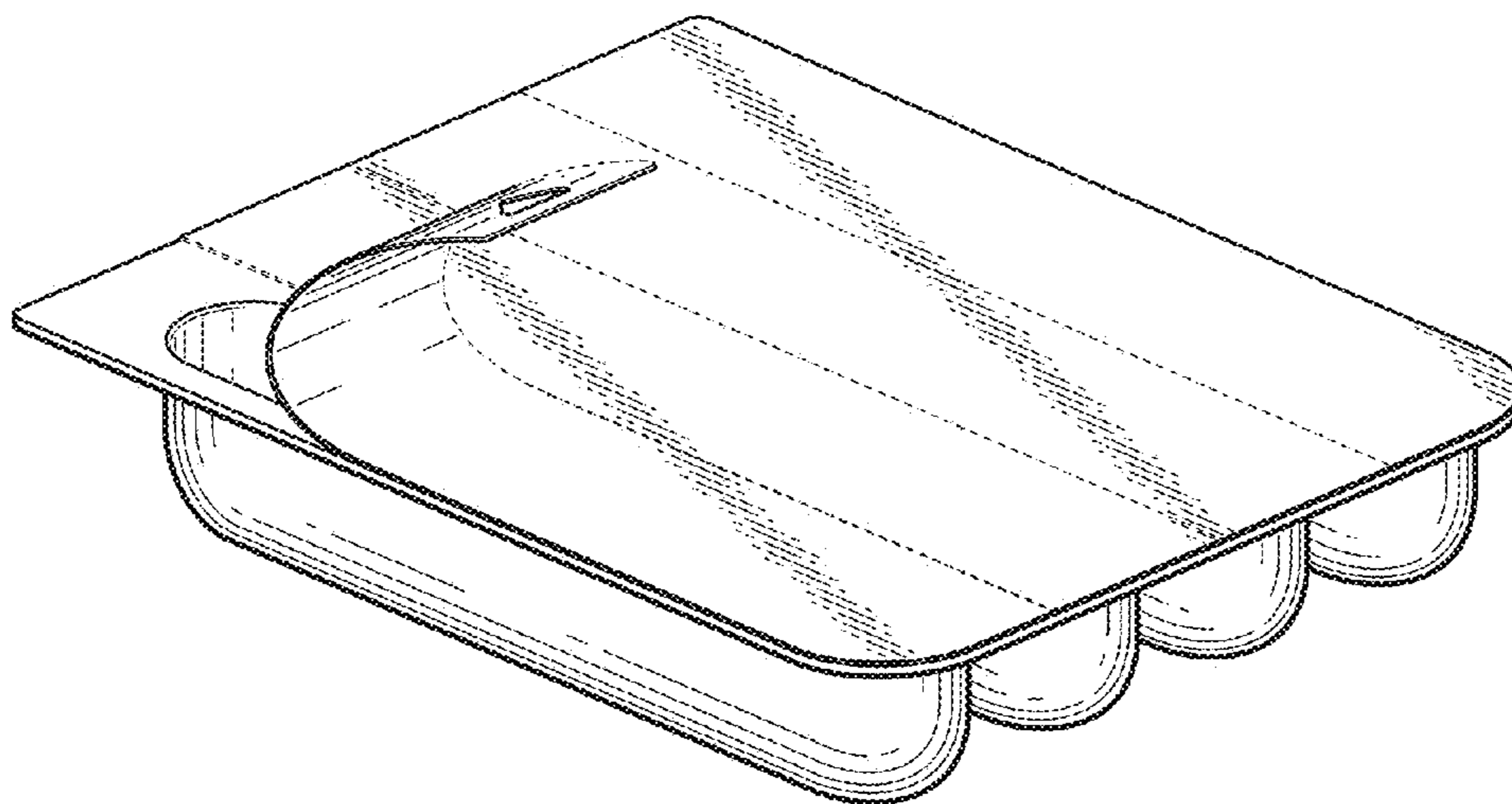


FIG. 6

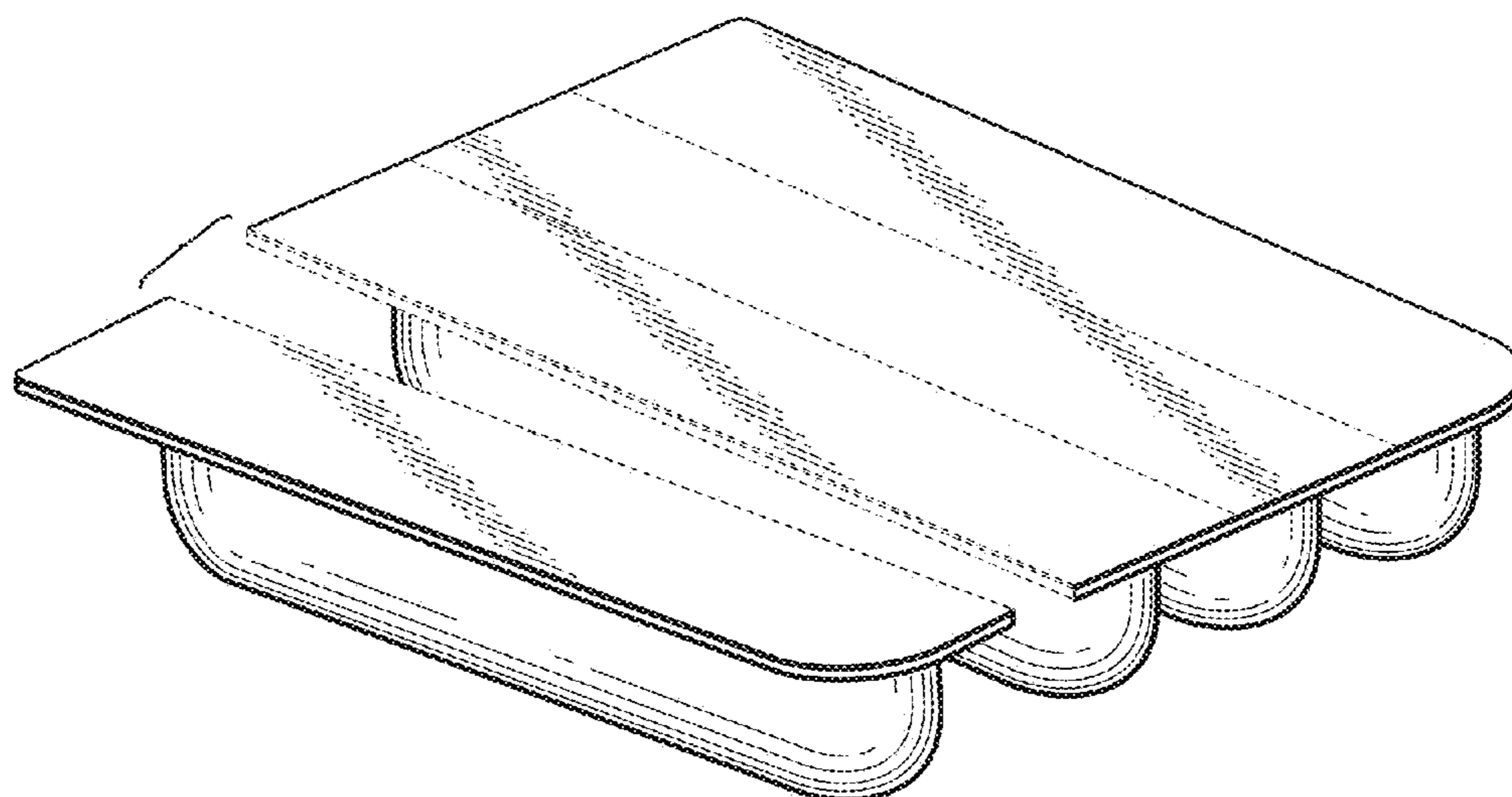


FIG. 7