



US00D734164S

(12) **United States Design Patent**
Guichot

(10) **Patent No.:** **US D734,164 S**
(45) **Date of Patent:** **** Jul. 14, 2015**

(54) **PERFUME BOTTLE**

(71) Applicant: **BALENCIAGA**, Paris (FR)

(72) Inventor: **Isabelle Guichot**, Paris (FR)

(73) Assignee: **BALENCIAGA**, Paris (FR)

(**) Term: **14 Years**

(21) Appl. No.: **29/498,635**

(22) Filed: **Aug. 6, 2014**

(51) **LOC (10) Cl.** **09-01**

(52) **U.S. Cl.**
USPC **D9/694**; D9/682

(58) **Field of Classification Search**
USPC D9/682-694, 719, 516, 517, 520, 526,
D9/544, 549-558, 563-558, 571-575, 435,
D9/436, 448
CPC B65D 83/14; B65D 83/16; B65D 83/20;
B65D 83/22; B65D 83/222; B65D 83/38;
B65D 83/40; B65D 1/0223; B65D 2501/0081;
B05B 11/00; B05B 11/0037; B05B 11/3001;
B05B 11/3042; B05B 11/3043; B05B
11/3045; B05B 11/3047; B05B 11/3052;
B05B 11/3059; B05B 11/306; A45D
2034/007; A45D 34/00
See application file for complete search history.

(56) **References Cited**

U.S. PATENT DOCUMENTS

D54,214 S * 11/1919 Jenkins D9/546
D71,563 S * 11/1926 Rebel D9/546
D73,368 S * 8/1927 Cavanaugh D9/544
2,267,179 A * 12/1941 Wells 206/525

D235,511 S * 6/1975 Boy D9/573
D263,372 S * 3/1982 Mansau D9/573
4,371,087 A * 2/1983 Saujet 215/12.1
D285,537 S * 9/1986 Parker D9/546
4,832,220 A * 5/1989 Quenessen 215/331
D315,096 S * 3/1991 Rocchio D9/520
D317,124 S * 5/1991 Durand D9/563
D318,618 S * 7/1991 Scarpa et al. D9/559
6,349,855 B1 * 2/2002 Borri 222/182
D486,387 S * 2/2004 Lee et al. D9/682
D498,665 S * 11/2004 Mansau D9/694
D511,688 S * 11/2005 Baron D9/560
D548,095 S * 8/2007 McGuinness D9/529
D550,098 S * 9/2007 Gerlach D9/682
D577,600 S * 9/2008 Kim et al. D9/573
D584,639 S * 1/2009 Antretter D9/687
D592,072 S * 5/2009 Mansau D9/694
D642,930 S * 8/2011 Premo D9/694

* cited by examiner

Primary Examiner — Catherine Tuttle

(74) *Attorney, Agent, or Firm* — Donald J. Ranft; Kristen A. Mogavero; Collen IP

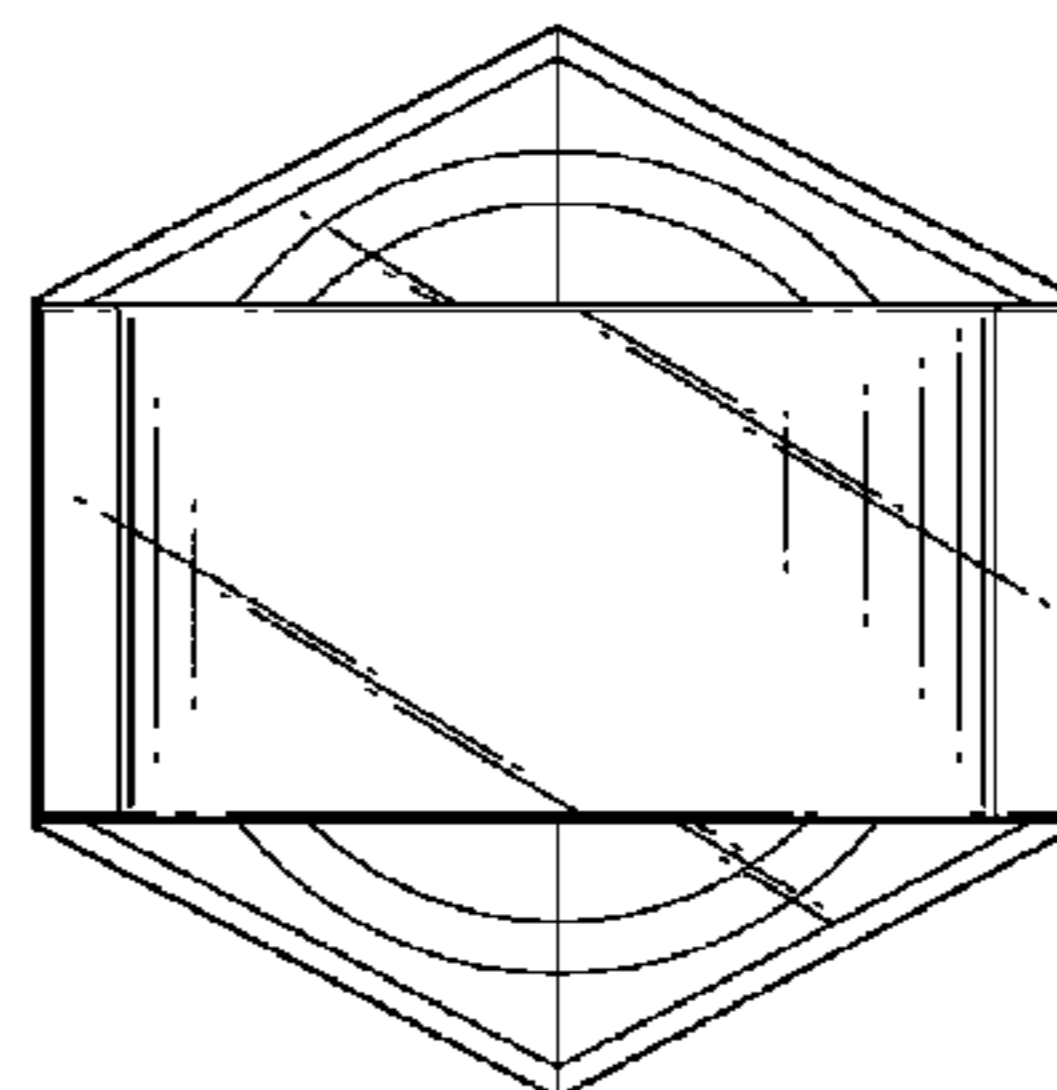
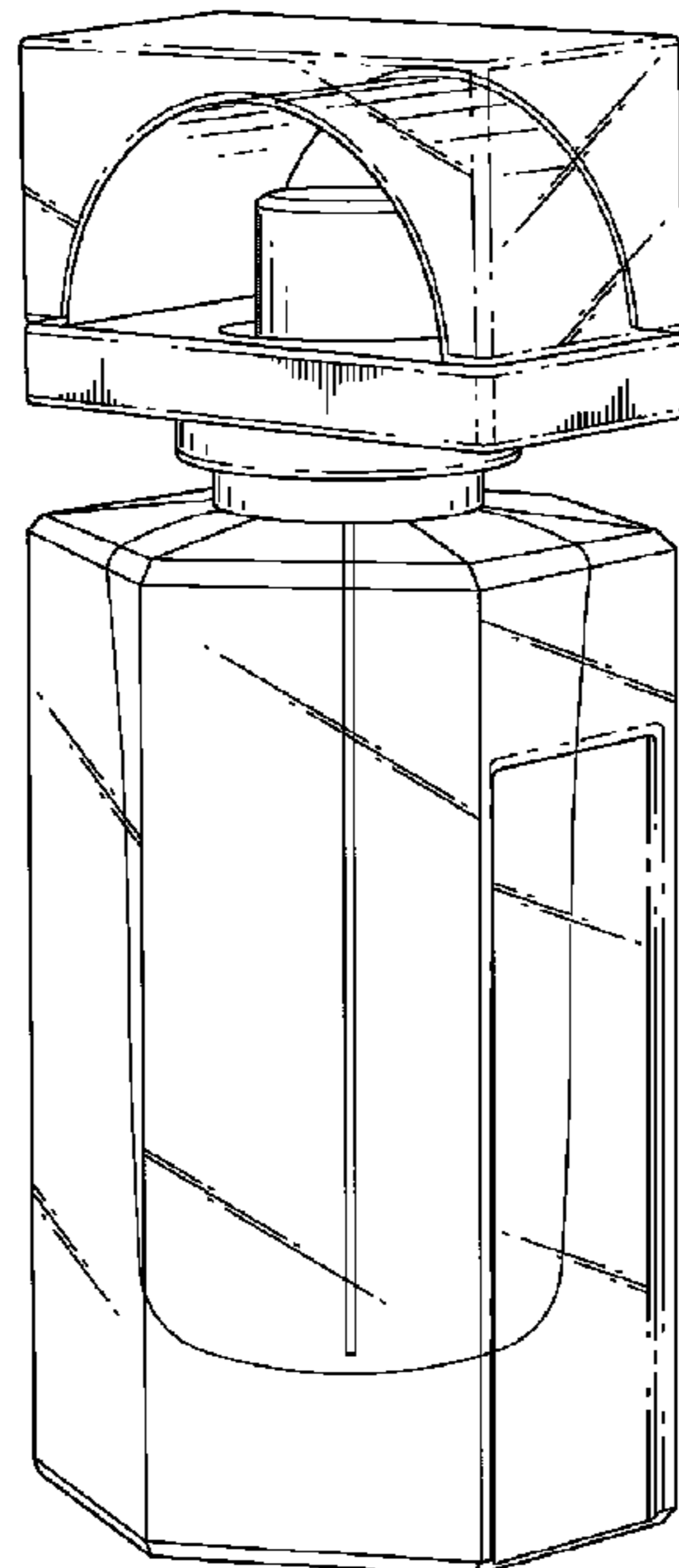
(57) **CLAIM**

The ornamental design for a perfume bottle, as shown.

DESCRIPTION

FIG. 1 is a rear perspective view of a perfume bottle showing my new design;
FIG. 2 is a front view thereof;
FIG. 3 is a rear view thereof;
FIG. 4 is a left side view thereof;
FIG. 5 is a right side view thereof;
FIG. 6 is a top view thereof; and,
FIG. 7 is a bottom view thereof.

1 Claim, 6 Drawing Sheets



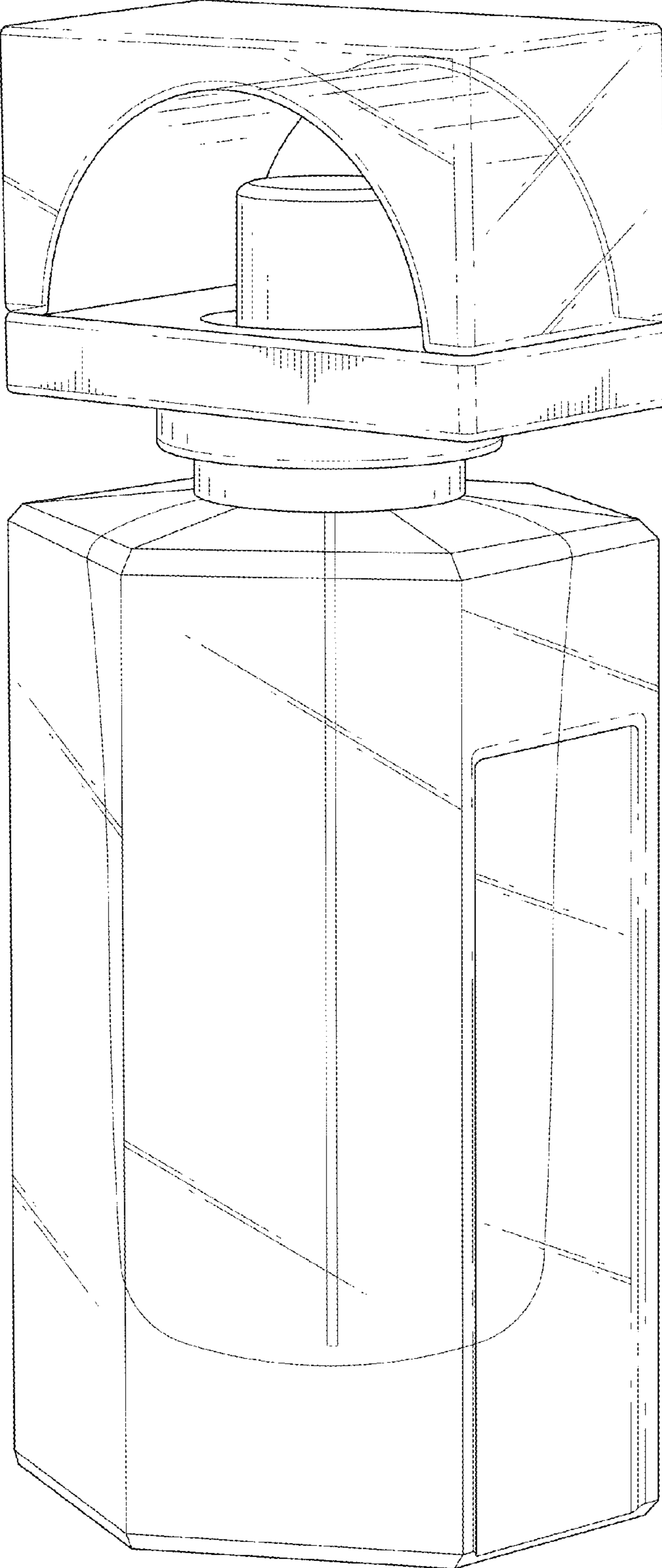


FIG. 1

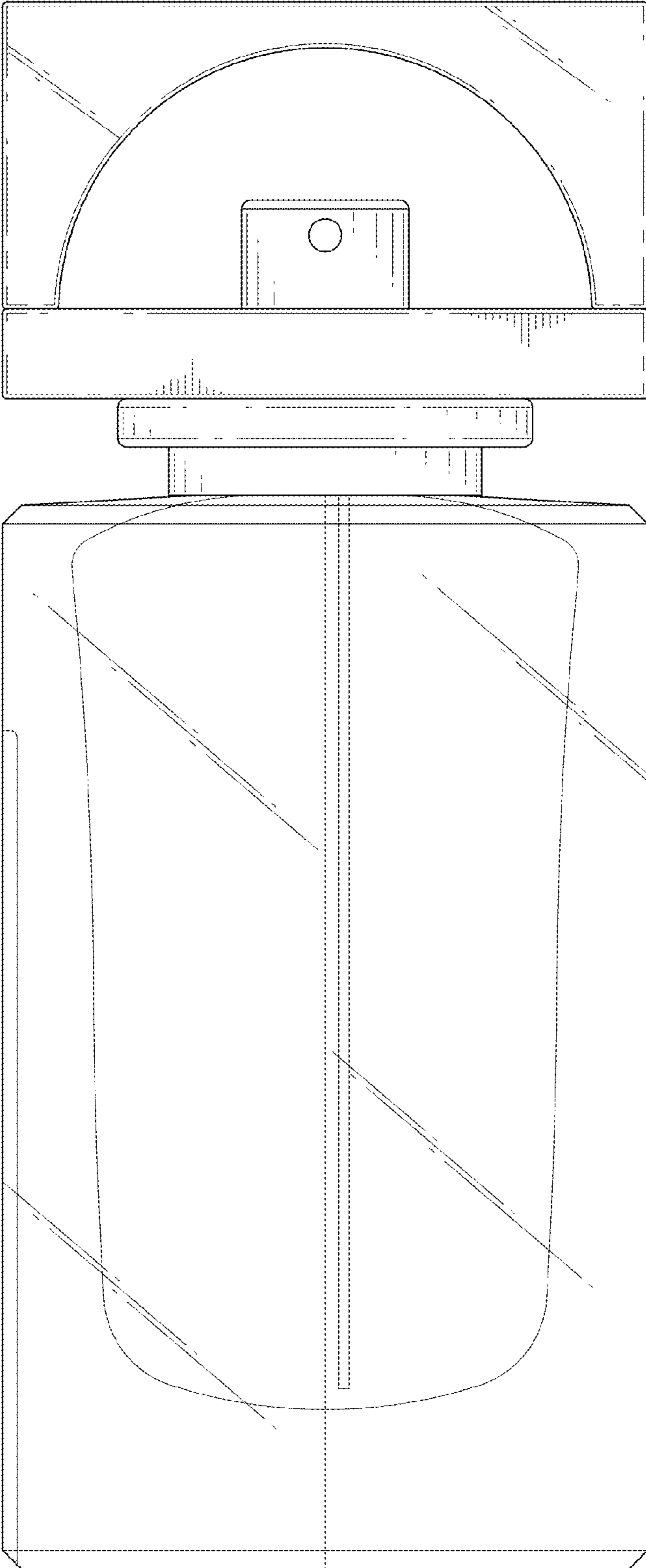


FIG. 2

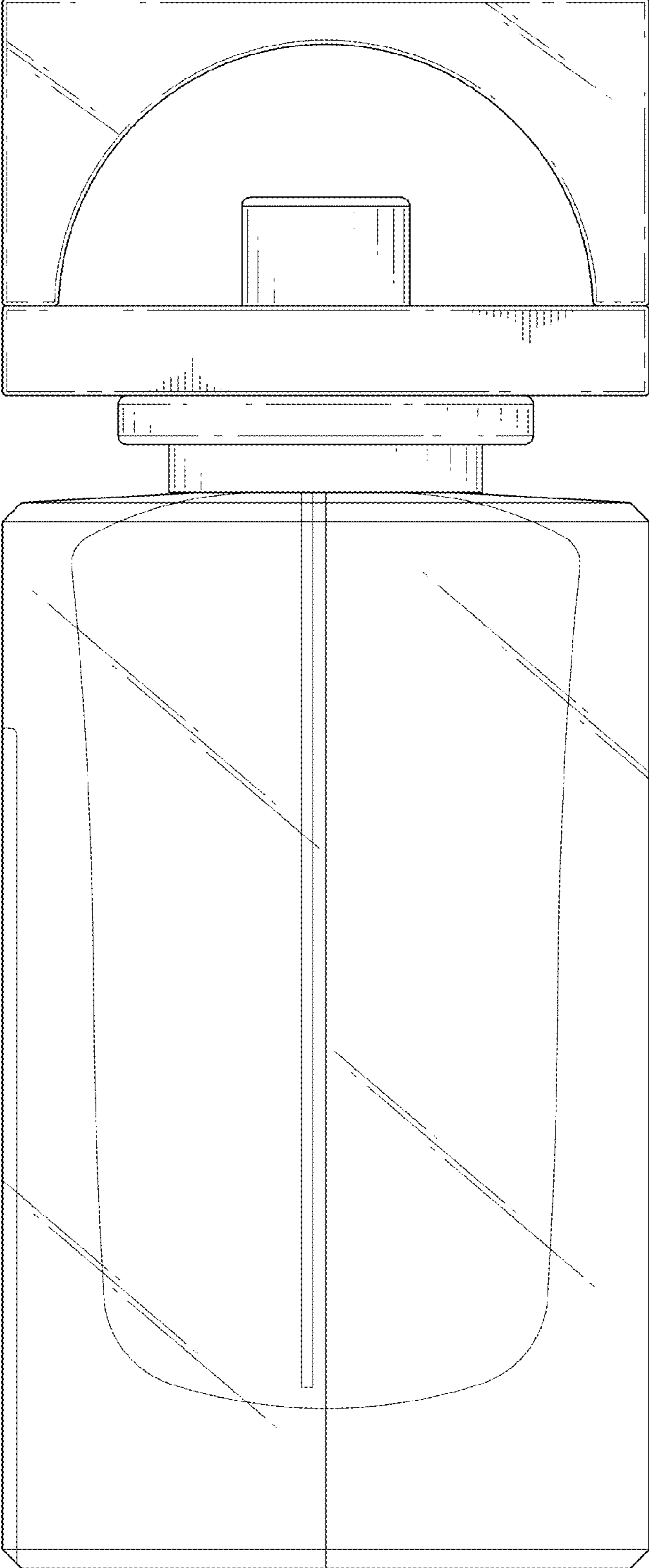


FIG. 3

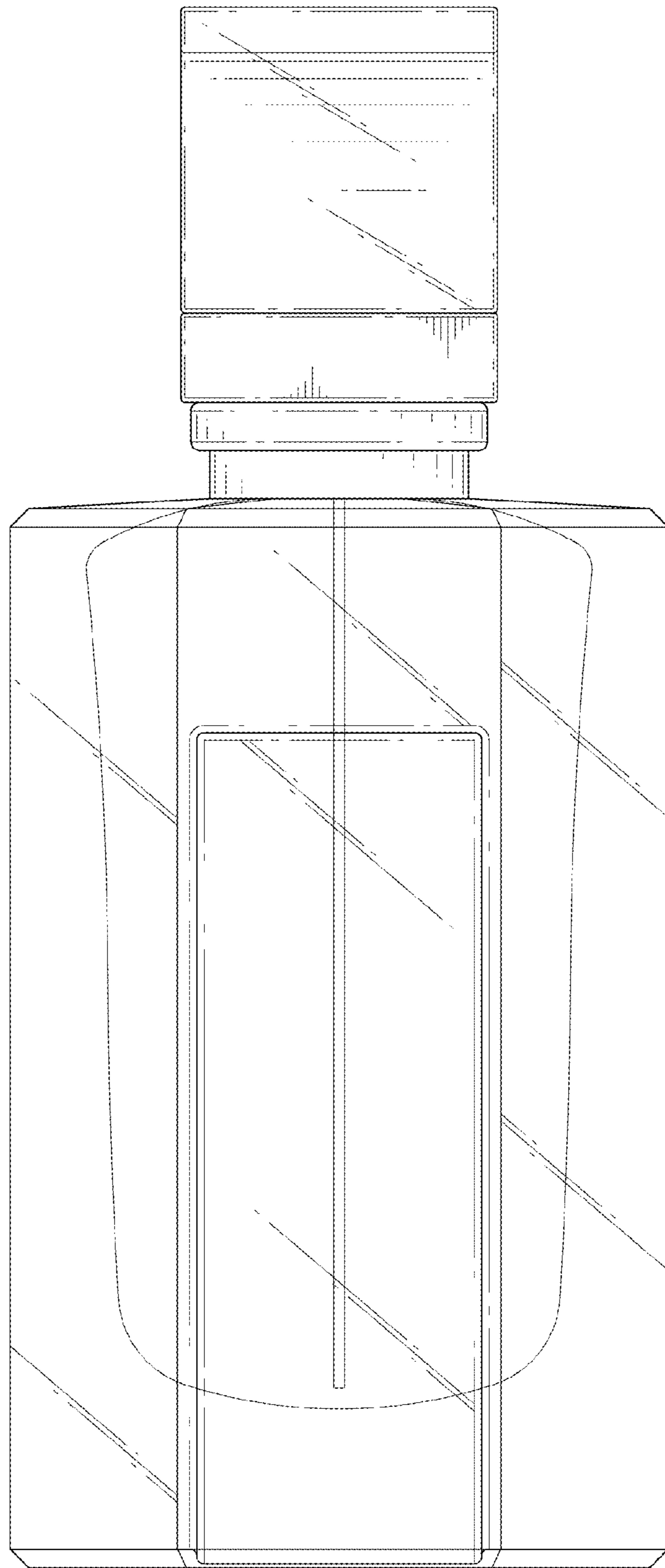


FIG.4

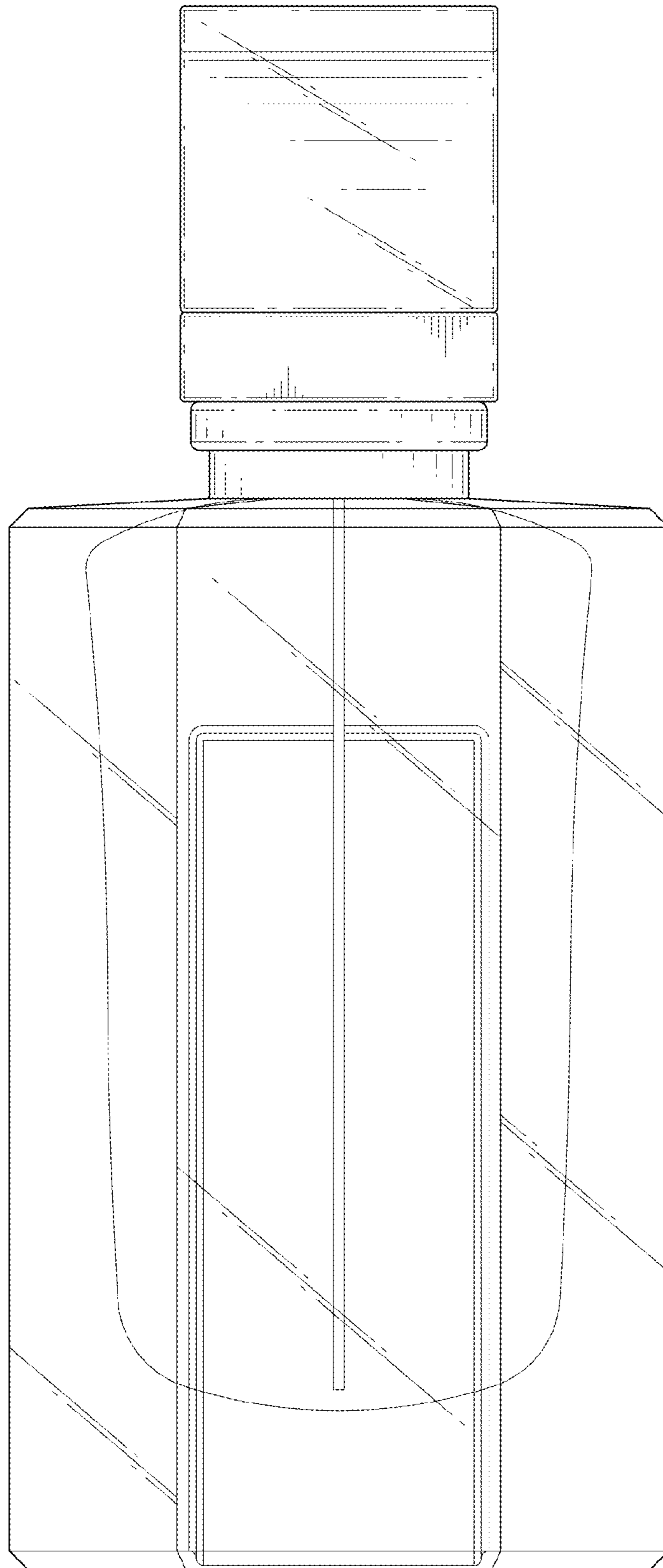


FIG. 5

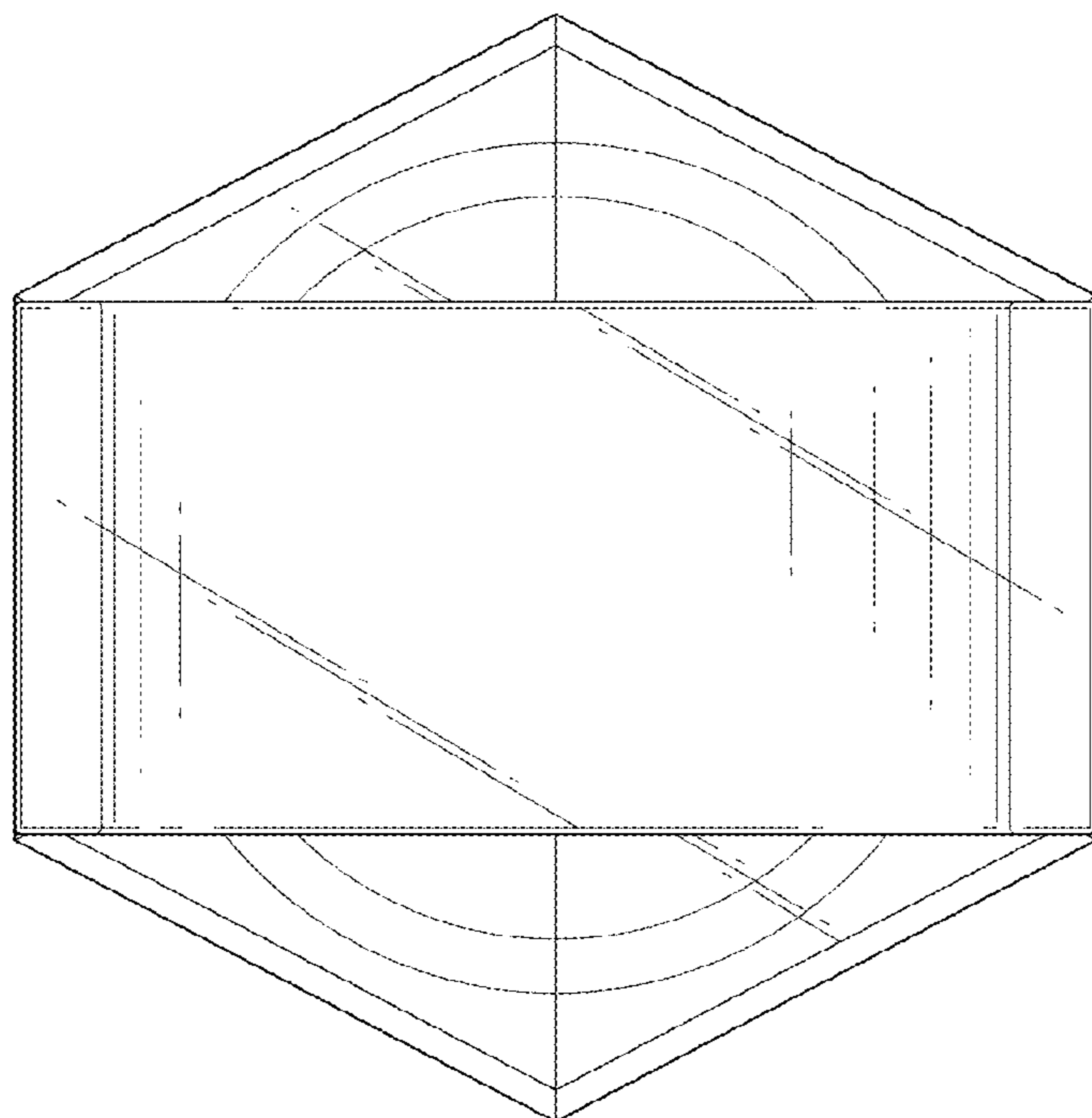


FIG. 6

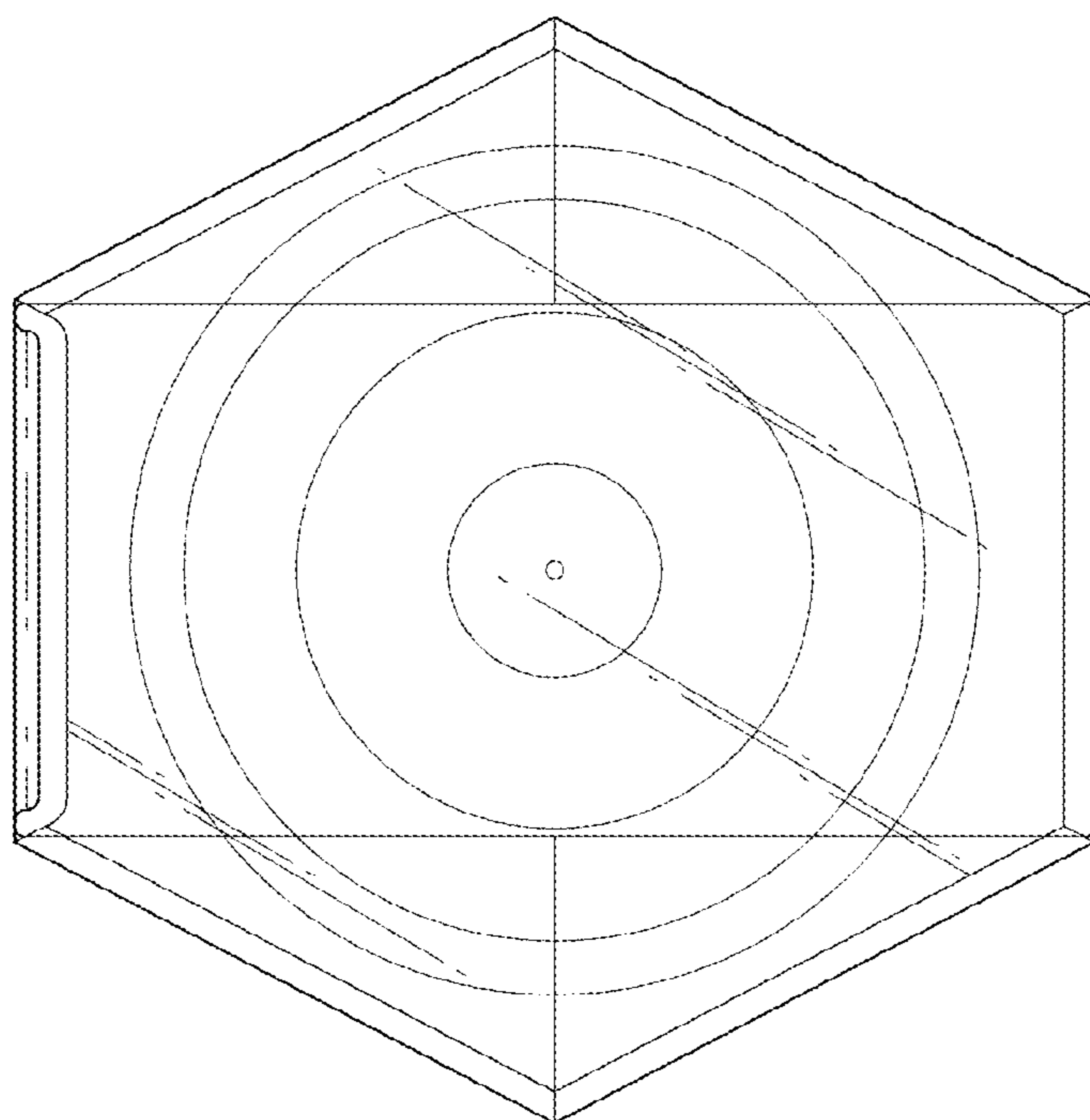


FIG. 7