



US00D734156S

(12) **United States Design Patent**
Hawry

(10) **Patent No.:** **US D734,156 S**
(45) **Date of Patent:** **** Jul. 14, 2015**

(54) **BOTTLE**

(71) Applicant: **Berlin Packaging, LLC**, Chicago, IL (US)

(72) Inventor: **Liam D. Hawry**, Chicago, IL (US)

(73) Assignee: **Berlin Packaging, LLC**, Chicago, IL (US)

(**) Term: **14 Years**

(21) Appl. No.: **29/459,118**

(22) Filed: **Jun. 26, 2013**

(51) **LOC (10) Cl.** **09-01**

(52) **U.S. Cl.**
USPC **D9/522**

(58) **Field of Classification Search**
USPC D7/300, 312; D9/414, 417, 424, 430, D9/431, 432, 516, 517, 522, 530, 541, 546, D9/547, 553, 556, 557, 559, 560, 569, 570, D9/738, 751; 215/379, 381-384; 220/660, 220/669, 675; 222/321.7, 383.1, 630, 631
See application file for complete search history.

(56) **References Cited**

U.S. PATENT DOCUMENTS

D247,872 S *	5/1978	McIlvain	D9/543
D321,322 S *	11/1991	Fuchs	D9/523
D371,741 S *	7/1996	Goettner et al.	D9/543
D389,065 S *	1/1998	Goettner	D9/526
D392,568 S *	3/1998	Goettner	D9/526

D404,650 S *	1/1999	Hefter et al.	D9/543
D420,918 S *	2/2000	Hefter et al.	D9/523
D427,078 S *	6/2000	Schaaf et al.	D9/543
D467,810 S *	12/2002	Gilmore et al.	D9/523
D477,783 S *	7/2003	Gilmore et al.	D9/523
D510,705 S *	10/2005	Crawford	D9/543
D548,093 S *	8/2007	Feen et al.	D9/523
D556,583 S *	12/2007	Gurst et al.	D9/523
D559,109 S *	1/2008	Feen	D9/523
D593,416 S *	6/2009	Medema	D9/523
D626,001 S *	10/2010	Laseak, Jr.	D9/524
D722,882 S *	2/2015	Castillo Higareda et al.	D9/543

* cited by examiner

Primary Examiner — Susan Bennett Hattan

Assistant Examiner — Leanne Was

(74) *Attorney, Agent, or Firm* — Adam K. Sacharoff; Much Shelist

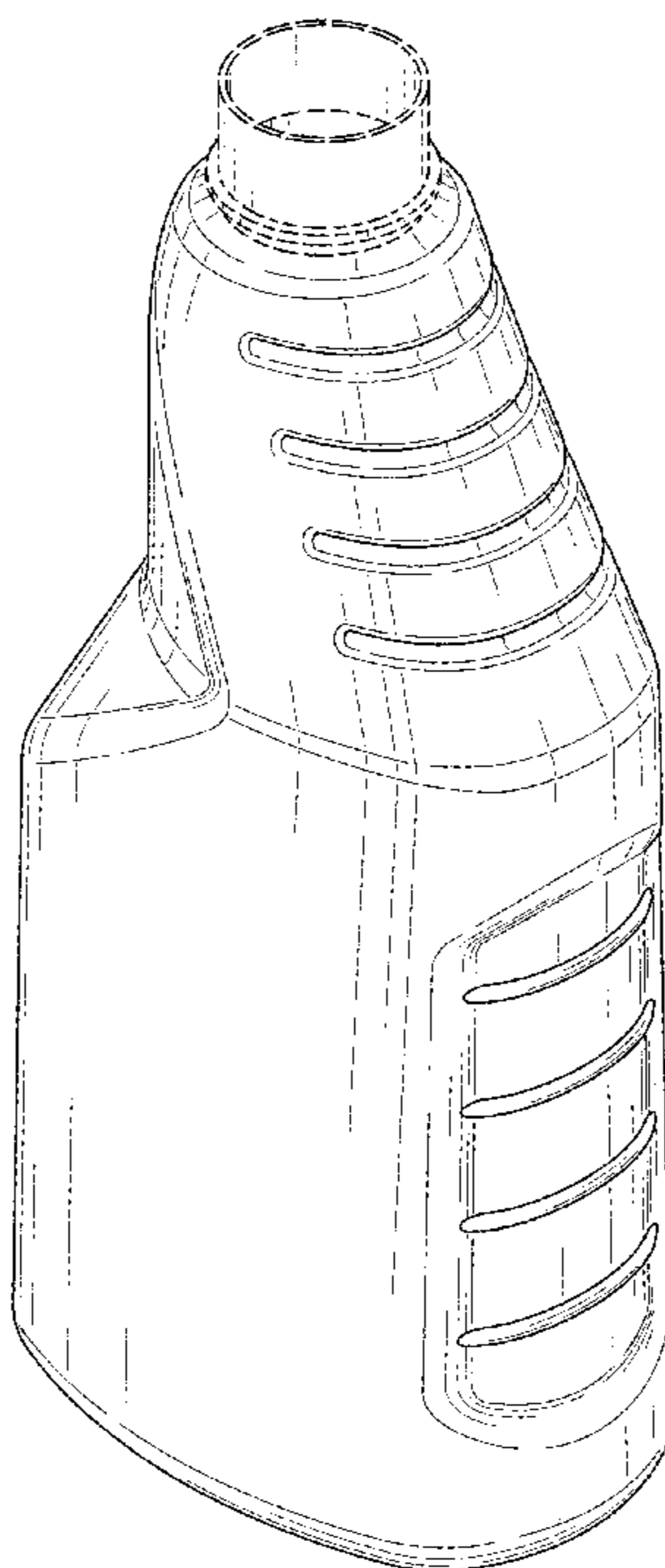
(57) **CLAIM**

The ornamental design for a bottle, as shown and described.

DESCRIPTION

FIG. 1 is a front-top perspective view showing a bottle; FIG. 2 is a back-bottom perspective view of FIG. 1; FIG. 3 is a left side view of FIG. 1; FIG. 4 is a right side view of FIG. 1; FIG. 5 is back side view of FIG. 1; FIG. 6 is a front side view of FIG. 1; FIG. 7 is a top side view of FIG. 1; and, FIG. 8 is a bottom side view of FIG. 1. The broken lines depict portions of the bottle that form no part of the claimed design.

1 Claim, 6 Drawing Sheets



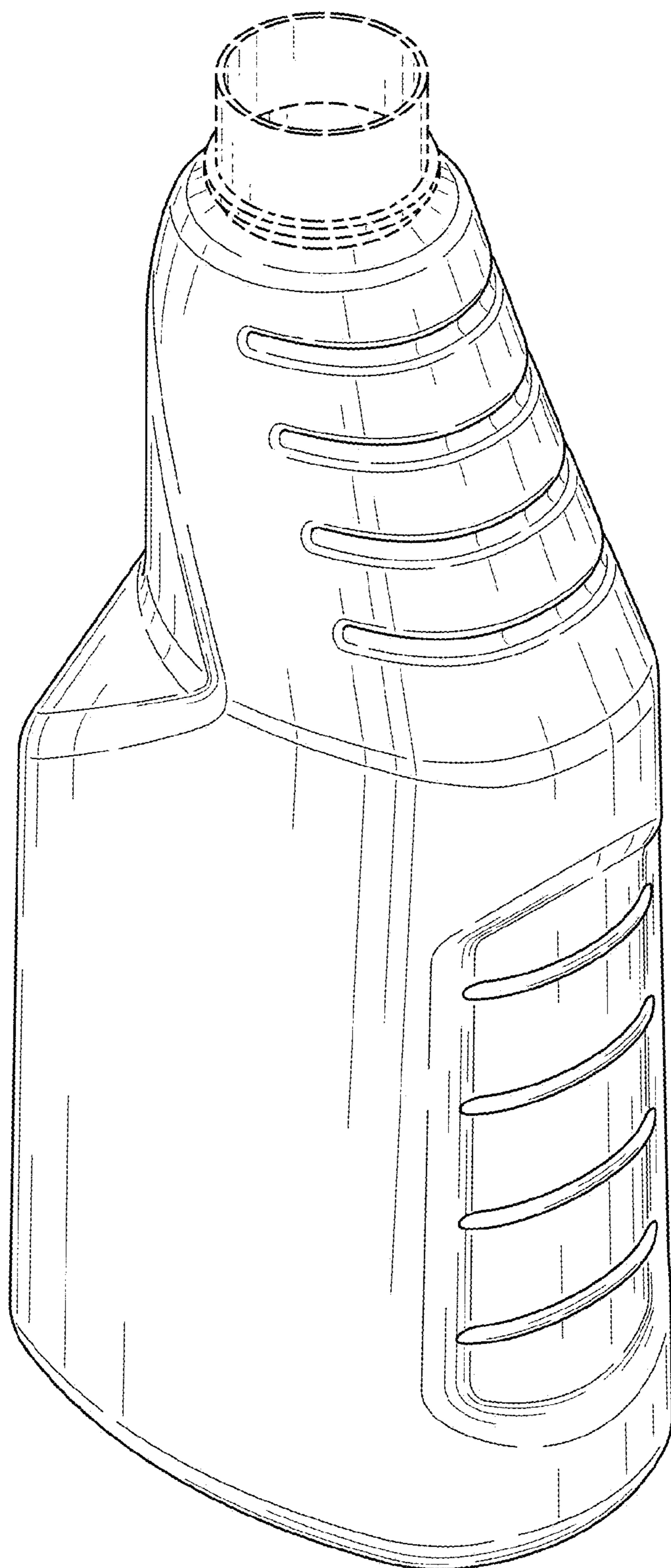


FIG. 1



FIG. 2

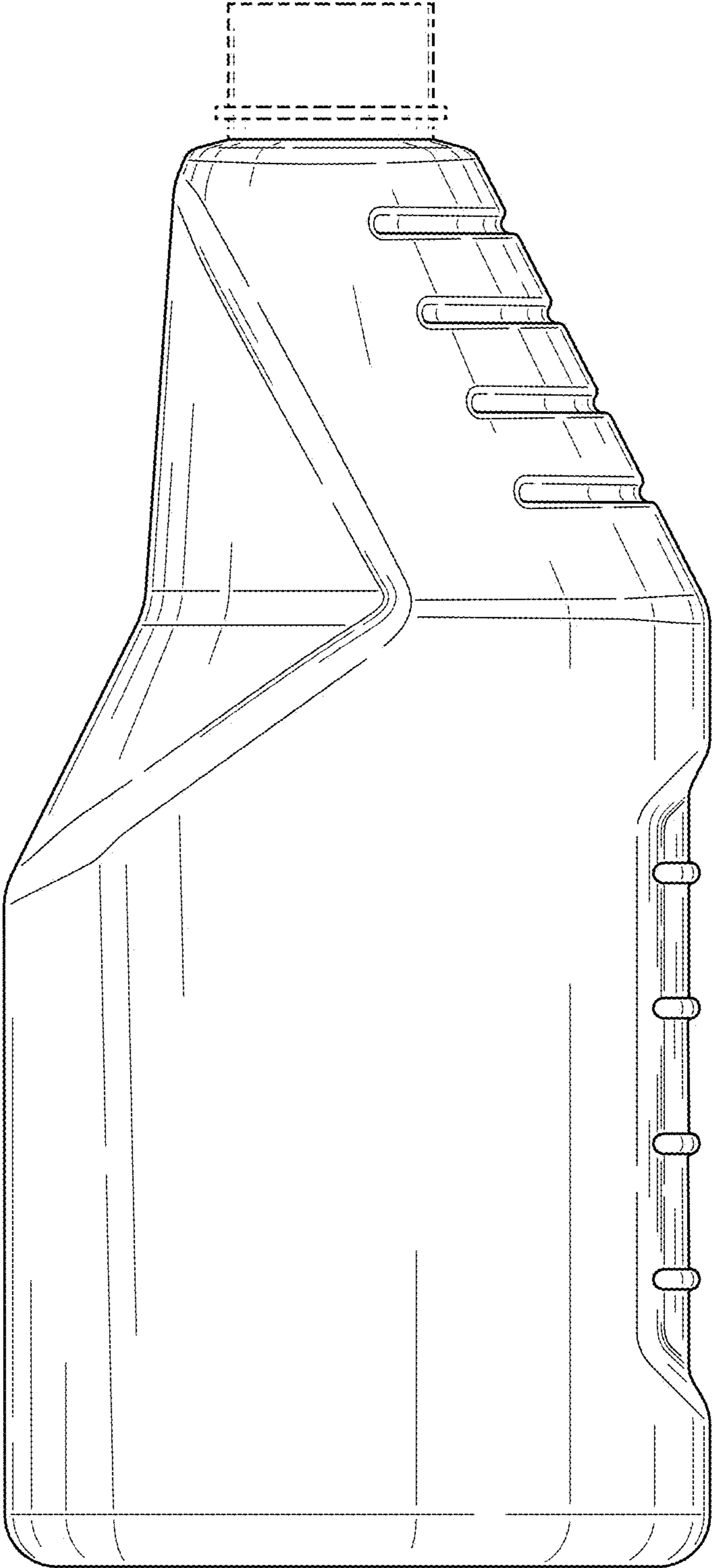


FIG. 3

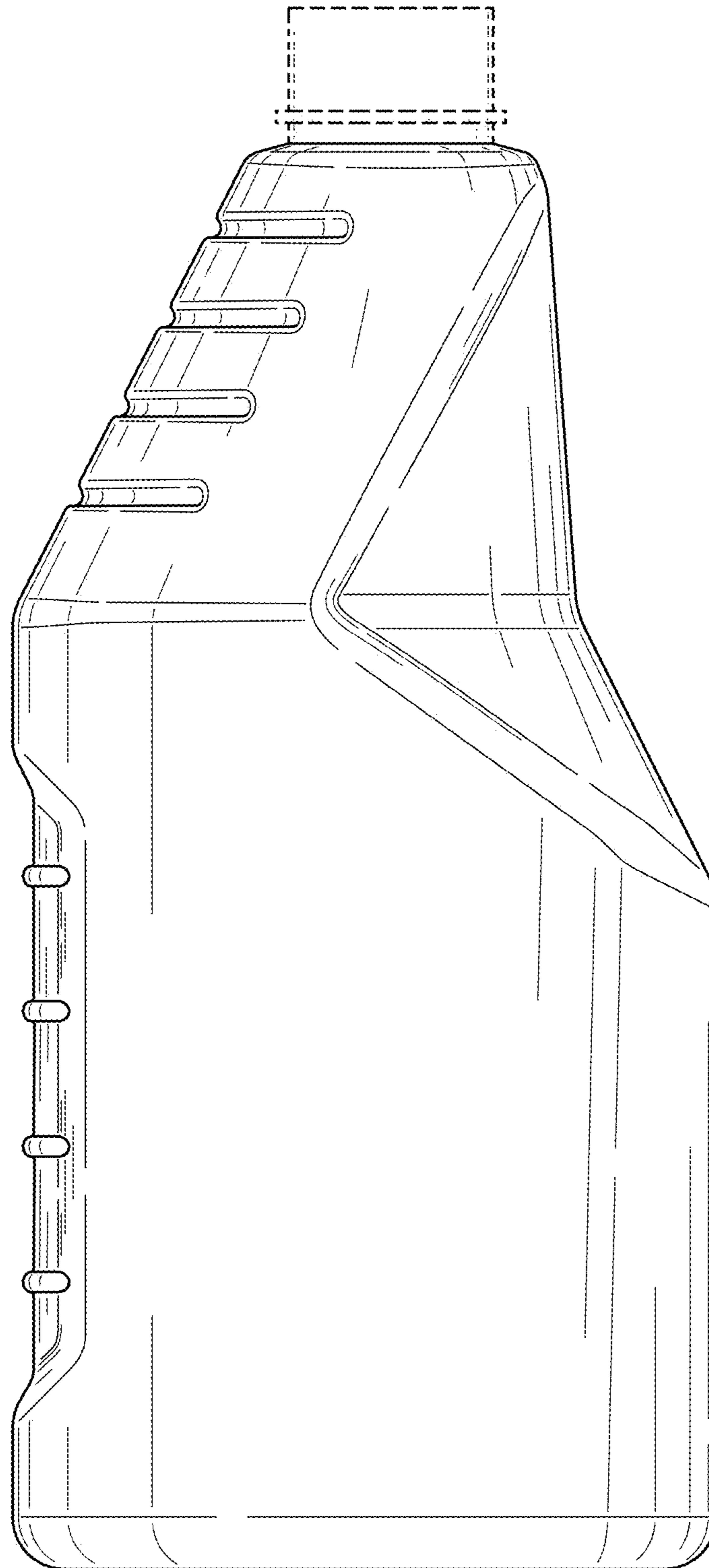


FIG. 4

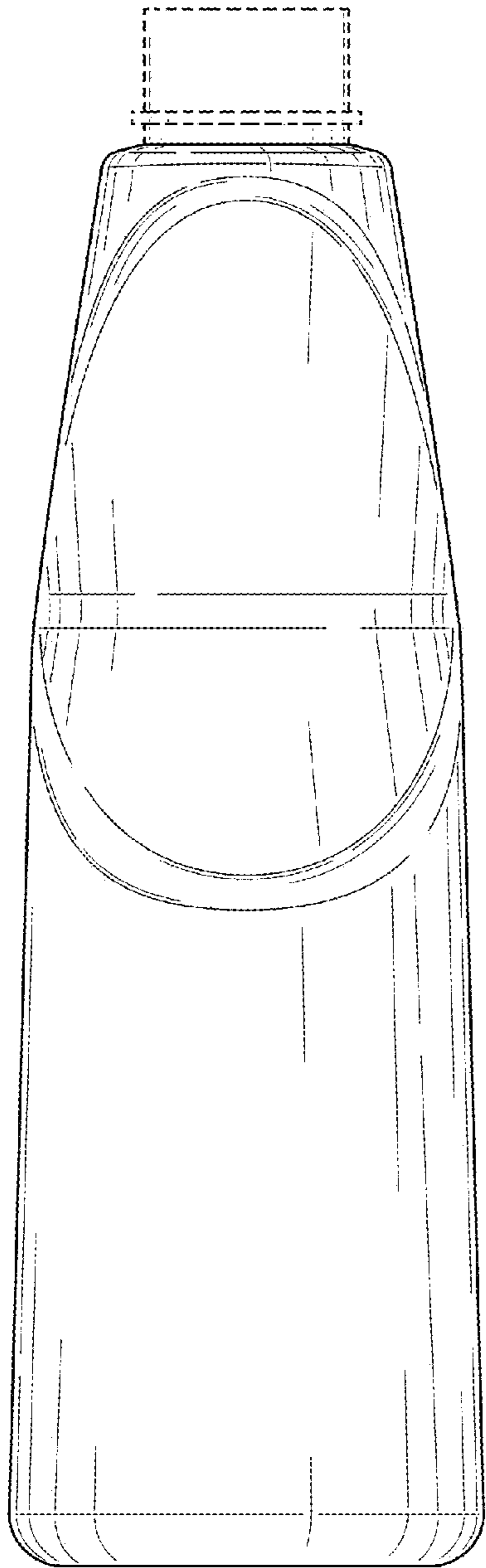


FIG. 5

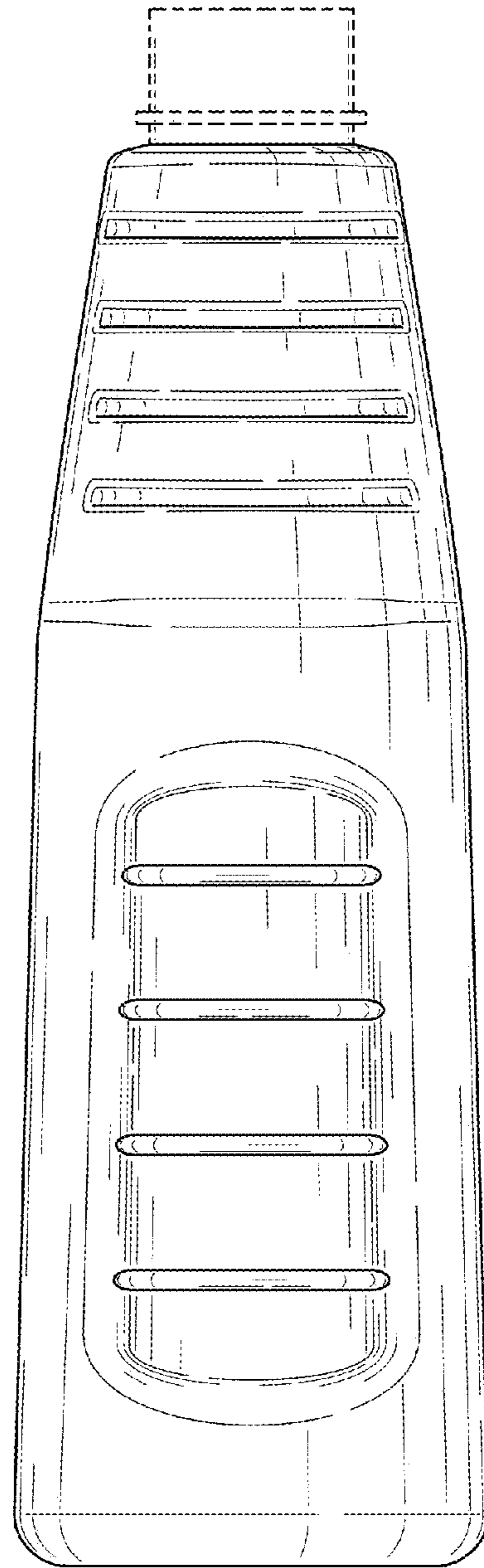


FIG. 6

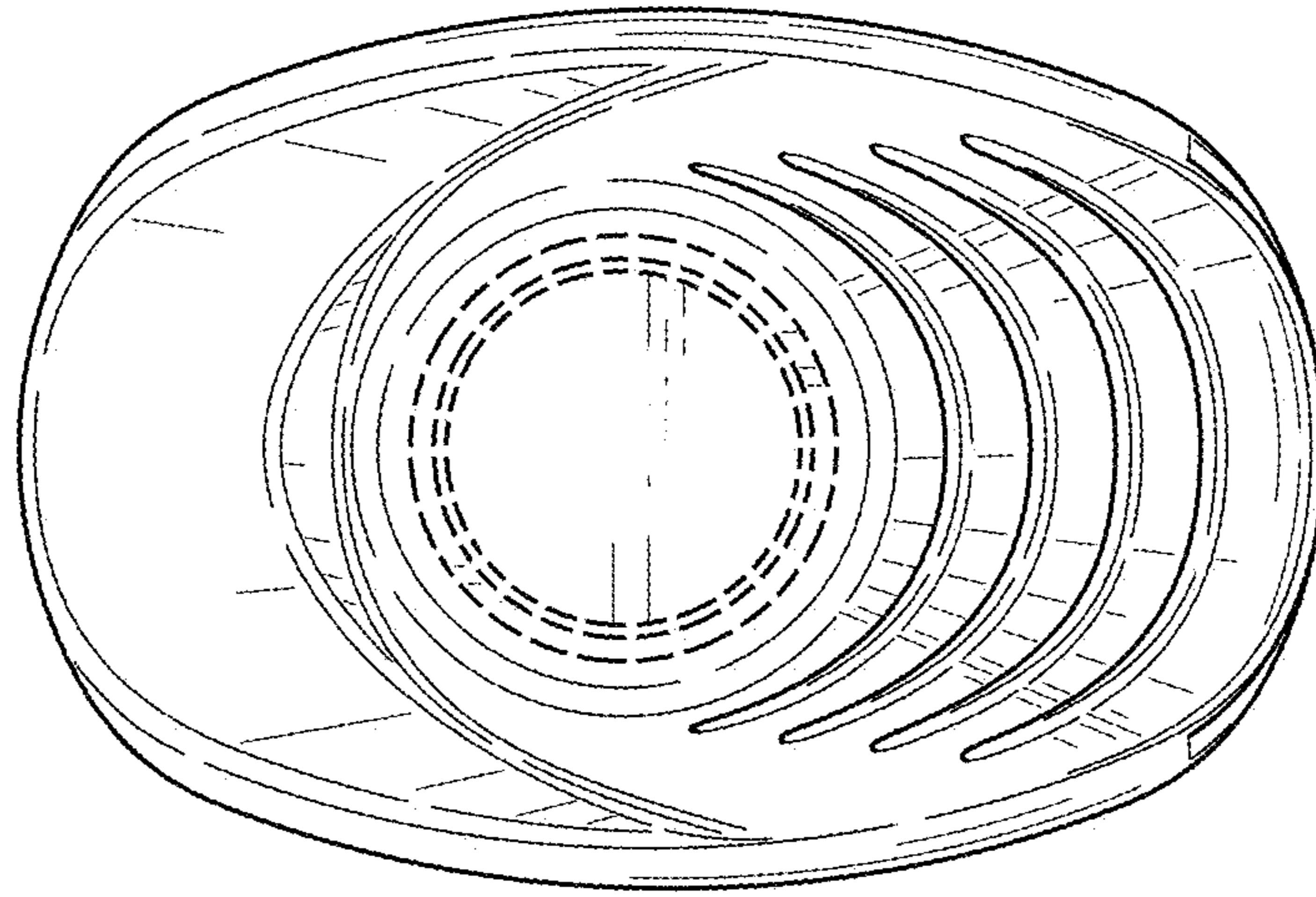


FIG. 7

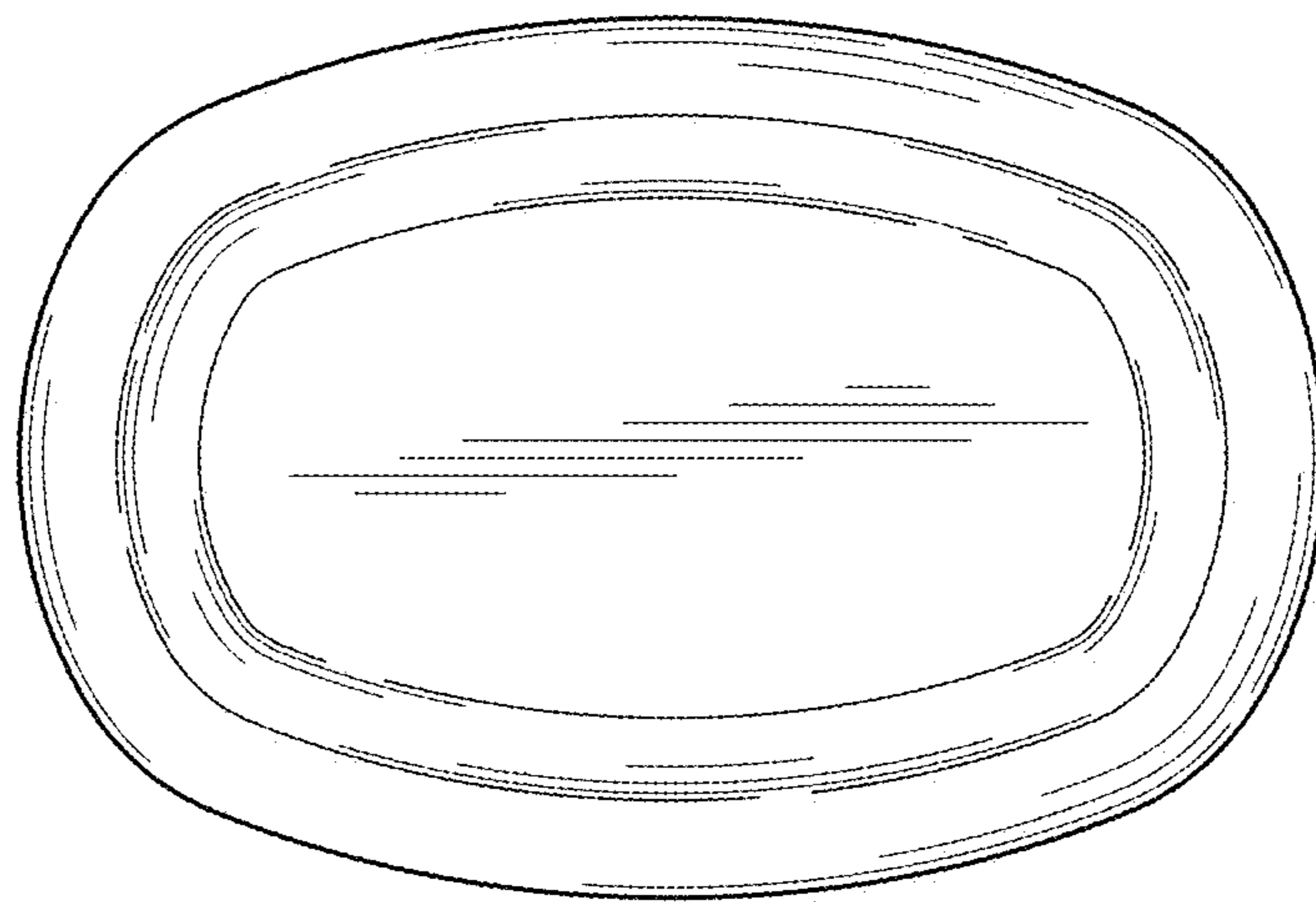


FIG. 8