



US00D734153S

(12) **United States Design Patent**  
**Fily**

(10) **Patent No.:** **US D734,153 S**

(45) **Date of Patent:** **\*\* Jul. 14, 2015**

(54) **CLOSURE FOR A CONTAINER**  
(71) Applicant: **Galderma Research & Development,**  
Sophia Antipolis (FR)  
(72) Inventor: **Sebastien Fily,** Sophia Antipolis (FR)  
(73) Assignee: **Galderma R&D,** Sophia Antipolis (FR)  
(\*\*) Term: **14 Years**

D592,972 S \* 5/2009 Beam et al. .... D9/708  
D621,157 S \* 8/2010 Achilles ..... D3/323  
8,043,005 B2 10/2011 Lyon et al.  
2012/0012585 A1 1/2012 Sinacori et al.  
2012/0205371 A1 8/2012 Lee  
2012/0312816 A1 12/2012 Barreto et al.  
2013/0320017 A1 12/2013 Kientzle et al.

(Continued)

(21) Appl. No.: **29/468,264**

(22) Filed: **Sep. 27, 2013**

(51) **LOC (10) Cl.** ..... **09-99**

(52) **U.S. Cl.**  
USPC ..... **D9/499; D9/449; D9/905**

(58) **Field of Classification Search**  
USPC ..... D9/434, 435, 440, 447, 449, 499, 705,  
D9/708, 709, 905; D3/323; 383/69  
CPC ..... B65D 33/1666; B65D 33/1658; B65D  
33/165; B65D 33/16  
See application file for complete search history.

(56) **References Cited**

U.S. PATENT DOCUMENTS

1,578,077 A 3/1926 Courney  
1,897,890 A 2/1933 Cook  
D89,544 S \* 3/1933 Inocencio ..... D9/447  
2,111,482 A 3/1938 Ruetz  
2,370,997 A 3/1945 Rudolph  
2,464,312 A \* 3/1949 Holden ..... 150/113  
3,422,997 A 1/1969 Anderson  
4,505,400 A 3/1985 Bennett  
4,722,614 A \* 2/1988 Boynton ..... 383/5  
4,925,043 A 5/1990 Dinand  
5,115,949 A 5/1992 Rosenthal  
5,116,758 A 5/1992 Verma  
5,405,034 A 4/1995 Mittel, Jr.  
5,555,995 A 9/1996 Galer  
5,687,885 A 11/1997 Turk et al.  
5,704,471 A 1/1998 Yamada  
D437,687 S \* 2/2001 Salz ..... D3/324

FOREIGN PATENT DOCUMENTS

BE 509640 A 3/1952  
CH 224936 A 12/1942

(Continued)

OTHER PUBLICATIONS

Office Action issued Apr. 23, 2015 in U.S. Appl. No. 13/729,208 by Fily.

*Primary Examiner* — Robert M Spear  
(74) *Attorney, Agent, or Firm* — Panitch Schwarze Belisario & Nadel LLP

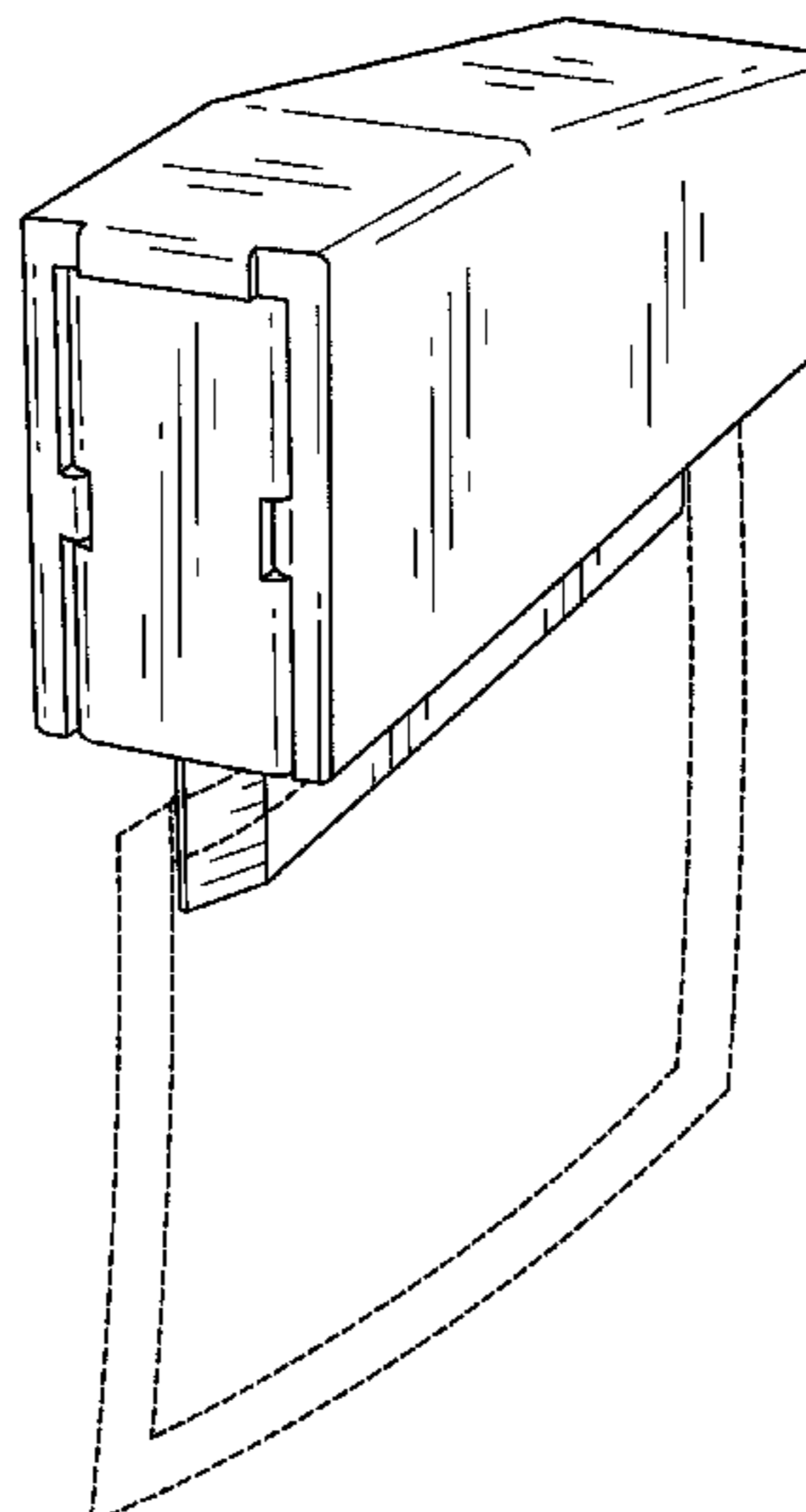
(57) **CLAIM**

The ornamental design for a closure for a container, as shown and described.

**DESCRIPTION**

FIG. 1 is a top perspective view of a closure for a container in accordance with my new design;  
FIG. 2 is a top plan view thereof;  
FIG. 3 is a right side elevational view thereof, wherein a left side elevational view is a mirror image thereof;  
FIG. 4 is a front elevational view thereof;  
FIG. 5 is a rear elevational view thereof; and,  
FIG. 6 is a bottom plan view thereof.  
The broken lines in the figures are for the purpose of showing unclaimed environmental structure only and form no part of the claimed design.

**1 Claim, 3 Drawing Sheets**



(56)

**References Cited**

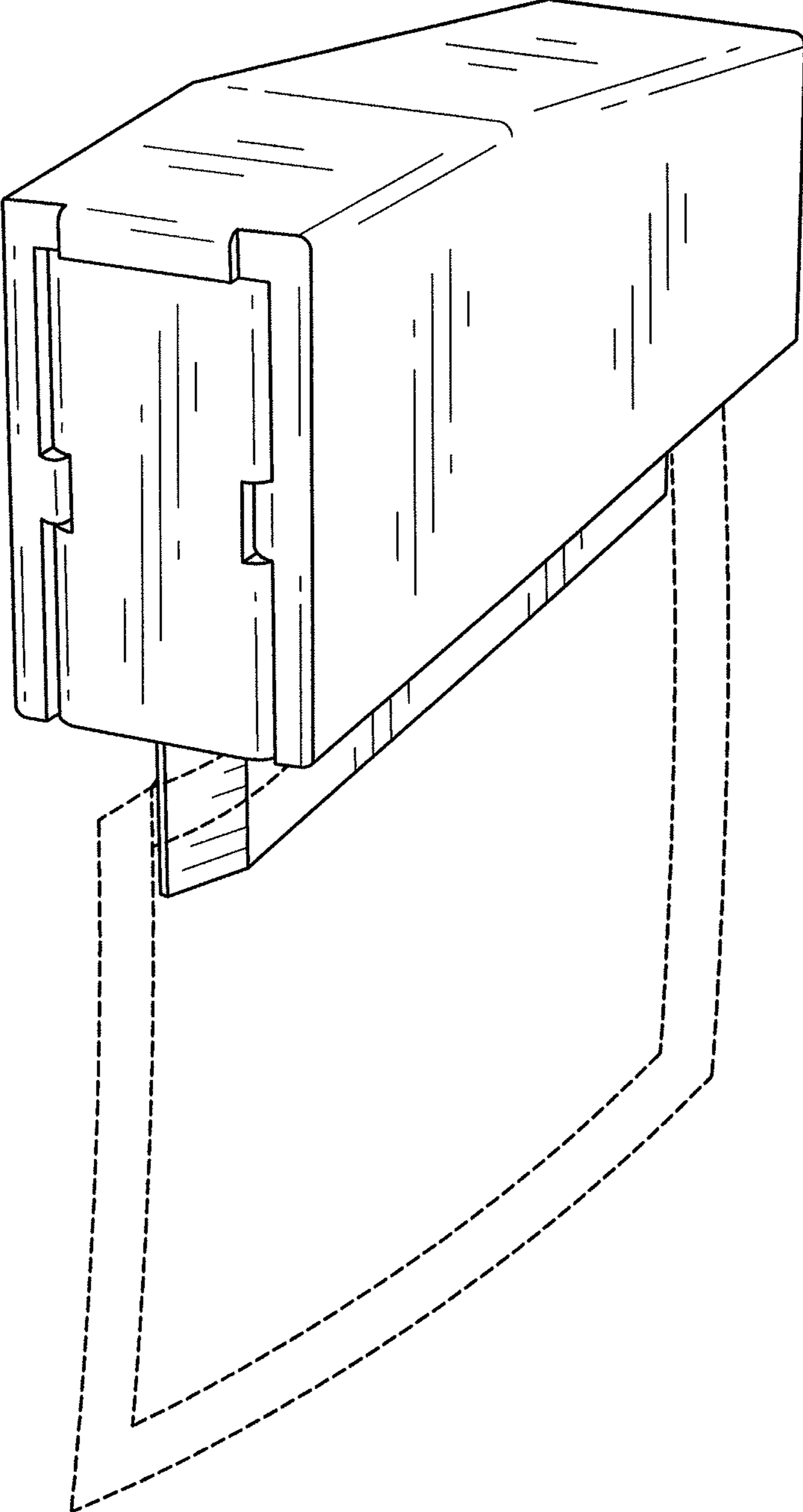
FOREIGN PATENT DOCUMENTS

U.S. PATENT DOCUMENTS

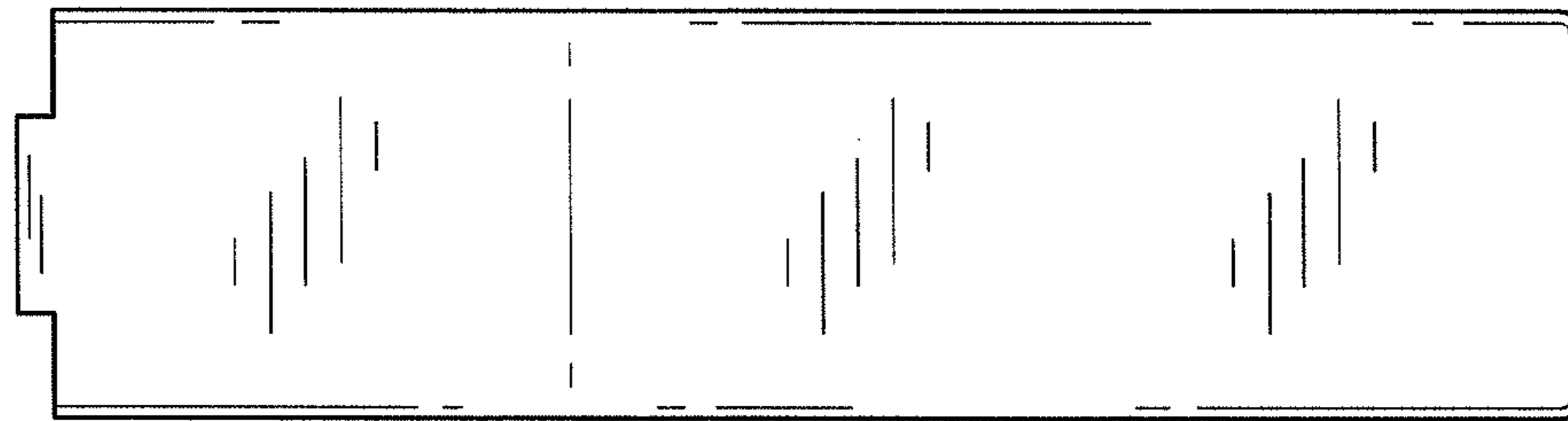
2014/0185964 A1\* 7/2014 Fily ..... 383/69  
2014/0367385 A1 12/2014 Spiegelhoff et al.

GB 468549 A 7/1937  
LU 29731 A 9/1949

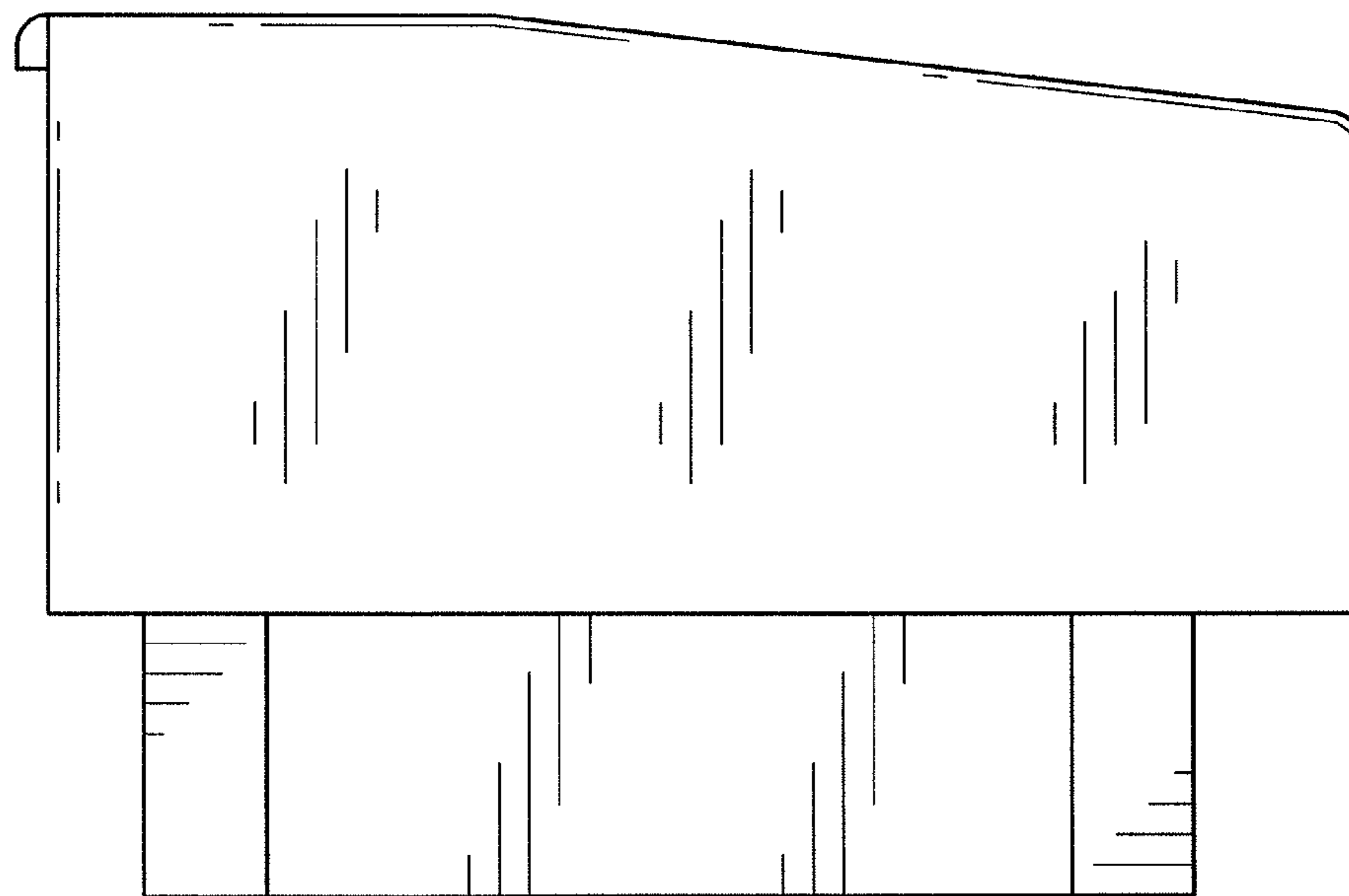
\* cited by examiner



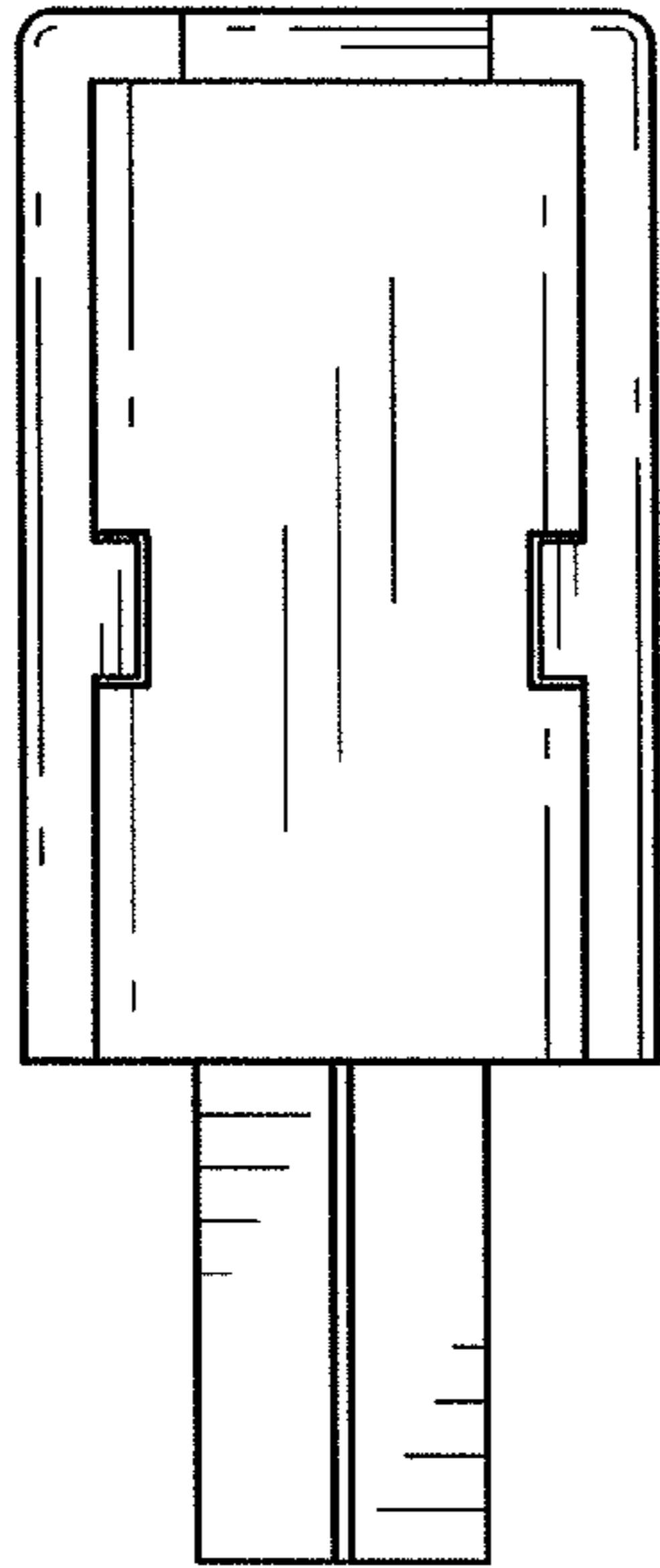
*Fig. 1*



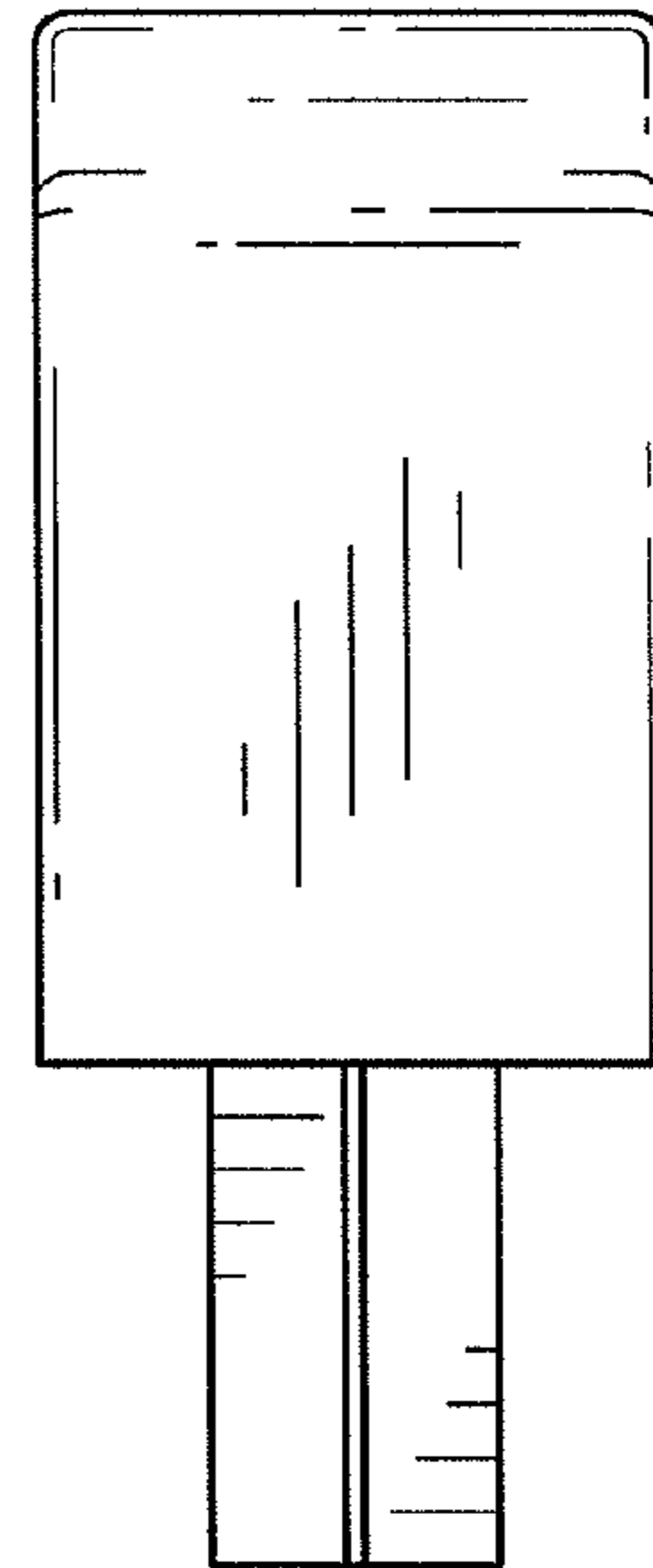
*Fig. 2*



*Fig. 3*



*Fig. 4*



*Fig. 5*



*Fig. 6*