



US00D734151S

(12) **United States Design Patent**  
**Herbst**

(10) **Patent No.:** **US D734,151 S**  
(45) **Date of Patent:** **\*\* Jul. 14, 2015**

(54) **DRINKING AND MISTING BOTTLE CAP WITH TRAPEZOIDAL LID**

D652,256 S \* 1/2012 Eyal ..... D7/510  
D700,515 S \* 3/2014 Herbst ..... D9/448  
D710,697 S \* 8/2014 Lind ..... D9/448  
2010/0219211 A1\* 9/2010 Smith et al. .... 222/402.15

(71) Applicant: **Scot Herbst**, Santa Cruz, CA (US)

(72) Inventor: **Scot Herbst**, Santa Cruz, CA (US)

(73) Assignee: **O2Cool, LLC**, Chicago, IL (US)

(\*\*) Term: **14 Years**

(21) Appl. No.: **29/442,542**

(22) Filed: **Mar. 19, 2013**

(51) **LOC (10) CL.** ..... **09-07**

(52) **U.S. Cl.**  
USPC ..... **D9/448**

(58) **Field of Classification Search**  
USPC ..... D9/434, 435, 448, 449; D23/213, 226;  
222/323, 383.1, 383.3, 402.15;  
239/120, 215, 333, 394, 526, 539;  
417/178, 198, 411

See application file for complete search history.

(56) **References Cited**

**U.S. PATENT DOCUMENTS**

D196,819	S	*	11/1963	Huling	.....	D9/448
3,172,582	A	*	3/1965	Belpedio	.....	222/473
D201,471	S	*	6/1965	Benedetto	.....	D9/448
3,209,953	A	*	10/1965	Nichol	.....	222/182
4,142,653	A	*	3/1979	Mascia et al.	.....	222/207
D298,920	S	*	12/1988	Bloom et al.	.....	D9/448
D458,539	S	*	6/2002	Bakic	.....	D9/448
D471,305	S	*	3/2003	Luquire	.....	D26/38
D474,403	S	*	5/2003	Fahy et al.	.....	D9/448
D476,558	S	*	7/2003	Cho et al.	.....	D9/685
D488,379	S	*	4/2004	Healy et al.	.....	D9/448
6,742,717	B2	*	6/2004	Aberegg et al.	.....	239/1
D536,970	S	*	2/2007	Shannan et al.	.....	D9/448
D537,359	S	*	2/2007	Butler et al.	.....	D9/685
D538,650	S	*	3/2007	Paas et al.	.....	D9/448
D539,142	S	*	3/2007	Butler et al.	.....	D9/448
D613,599	S	*	4/2010	Khubani	.....	D9/446

**OTHER PUBLICATIONS**

Big Mist N' Sip Prism 24 oz. Water Bottle by O2 Cool. MyCoolingStore.com. (c) 2013. Found online at <http://www.mycoolingstore.com/mist-n-sip-prism.html#.VOOqIU1OXDA>.\*

\* cited by examiner

*Primary Examiner* — Robert M Spear

(74) *Attorney, Agent, or Firm* — Knechtel, Demeur & Samlan

(57) **CLAIM**

I claim the ornamental design for a drinking and misting bottle cap with trapezoidal lid, as shown and described.

**DESCRIPTION**

FIG. 1 is a front perspective view of the drinking and misting bottle cap with trapezoidal lid;

FIG. 2 is a rear perspective view of the drinking and misting bottle cap with trapezoidal lid;

FIG. 3 is a front elevational view of the drinking and misting bottle cap with trapezoidal lid;

FIG. 4 is a rear elevational view of the drinking and misting bottle cap with trapezoidal lid;

FIG. 5 is a side elevational view of the drinking and misting bottle cap with trapezoidal lid;

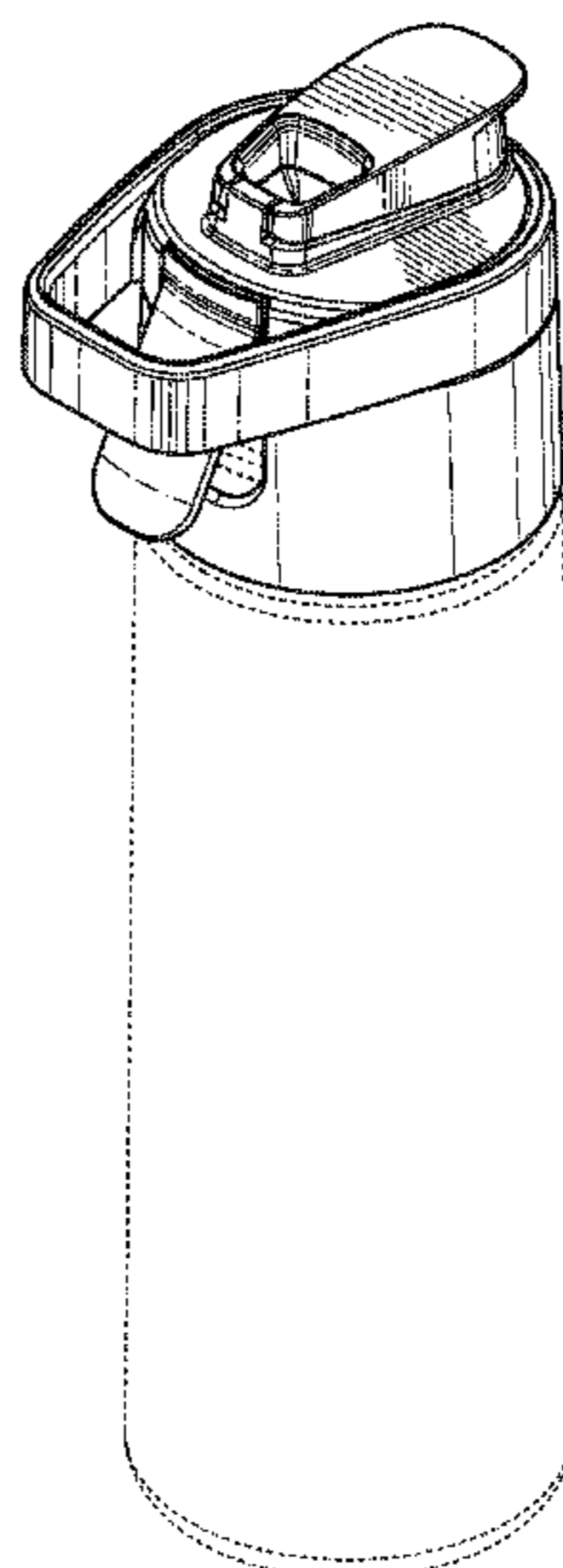
FIG. 6 is a side elevational view of the opposed side of the drinking and misting bottle cap with trapezoidal lid;

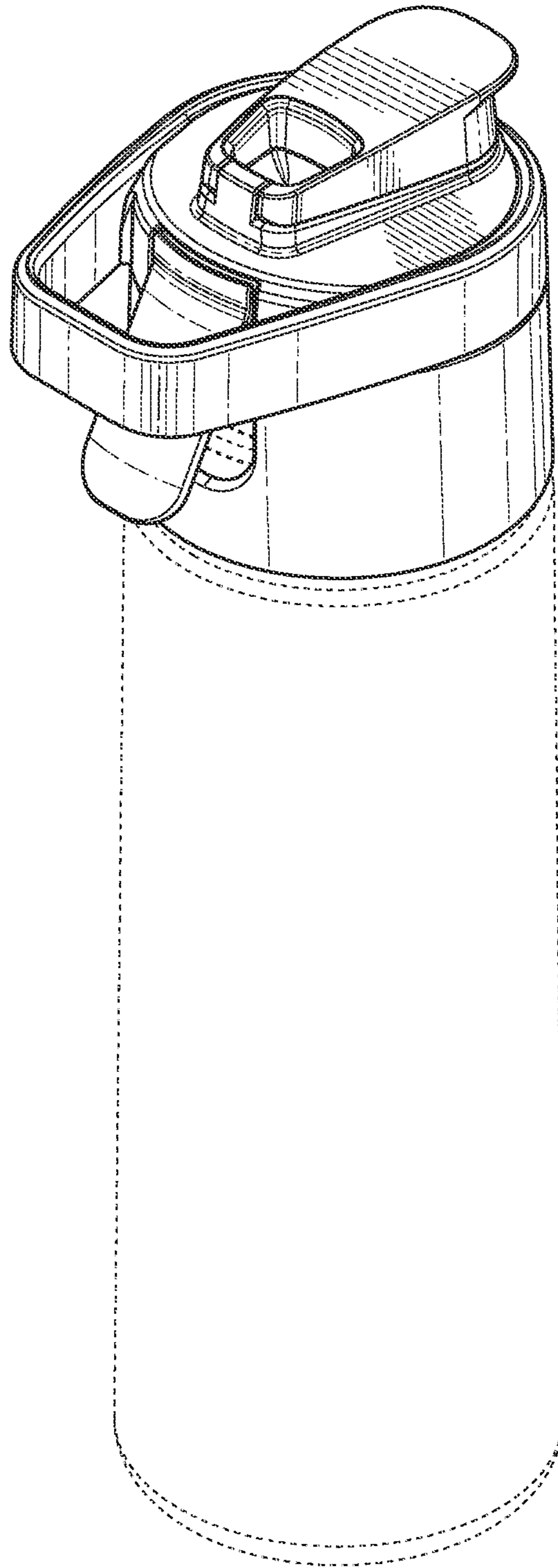
FIG. 7 is a top elevational view of the drinking and misting bottle cap with trapezoidal lid; and,

FIG. 8 is a bottom elevational view of the drinking and misting bottle cap with trapezoidal lid.

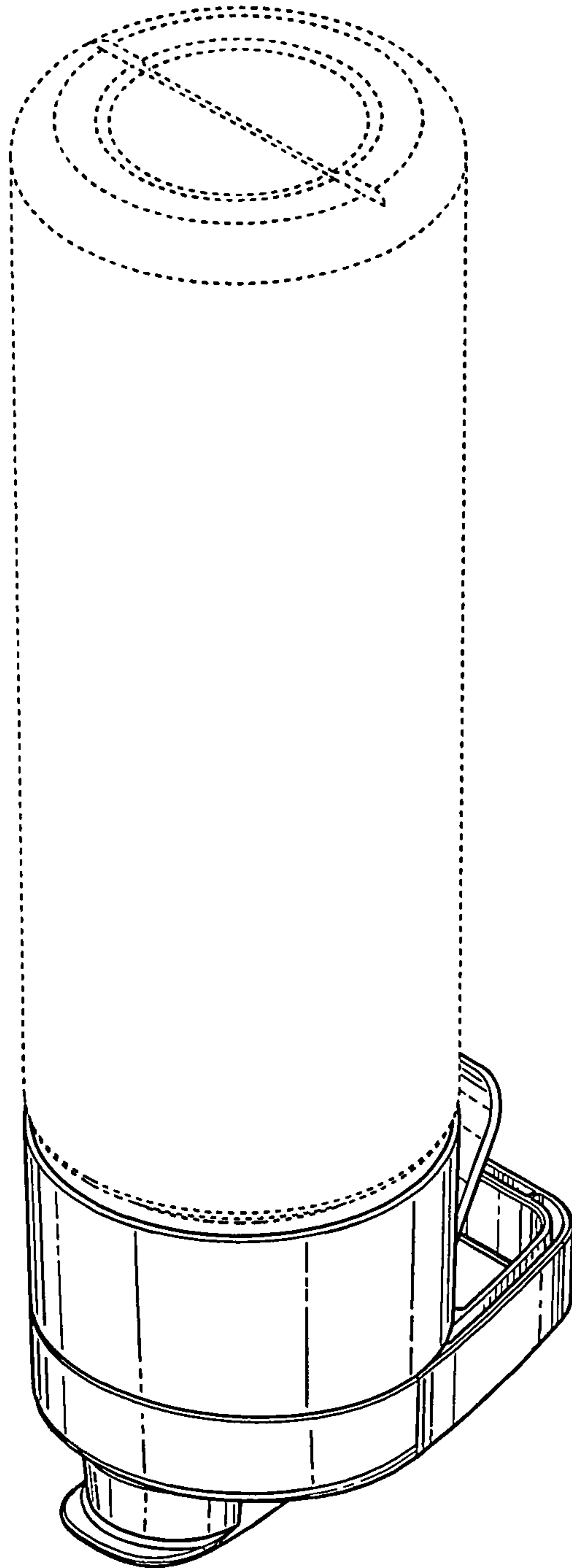
The broken lines in the drawings represent unclaimed environmental subject matter and form no part of the claim.

**1 Claim, 7 Drawing Sheets**

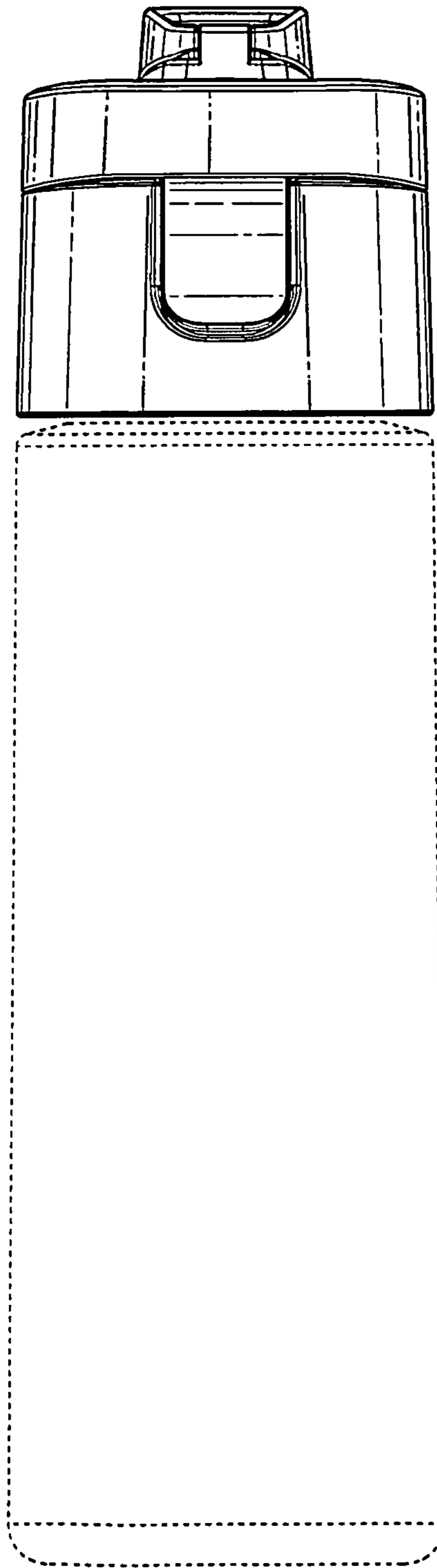




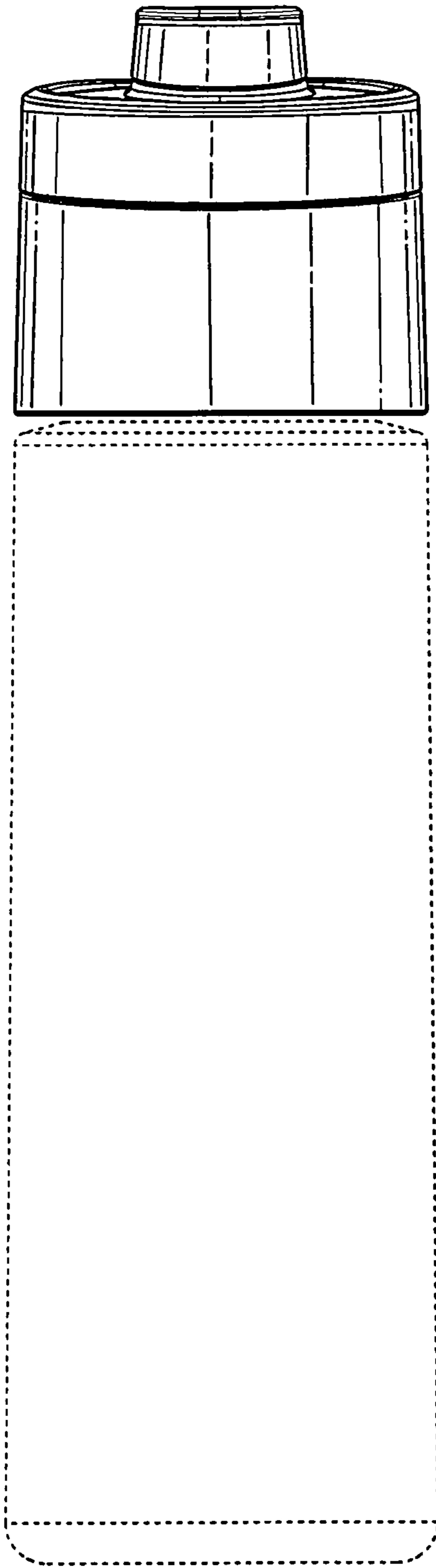
**FIG. 1**



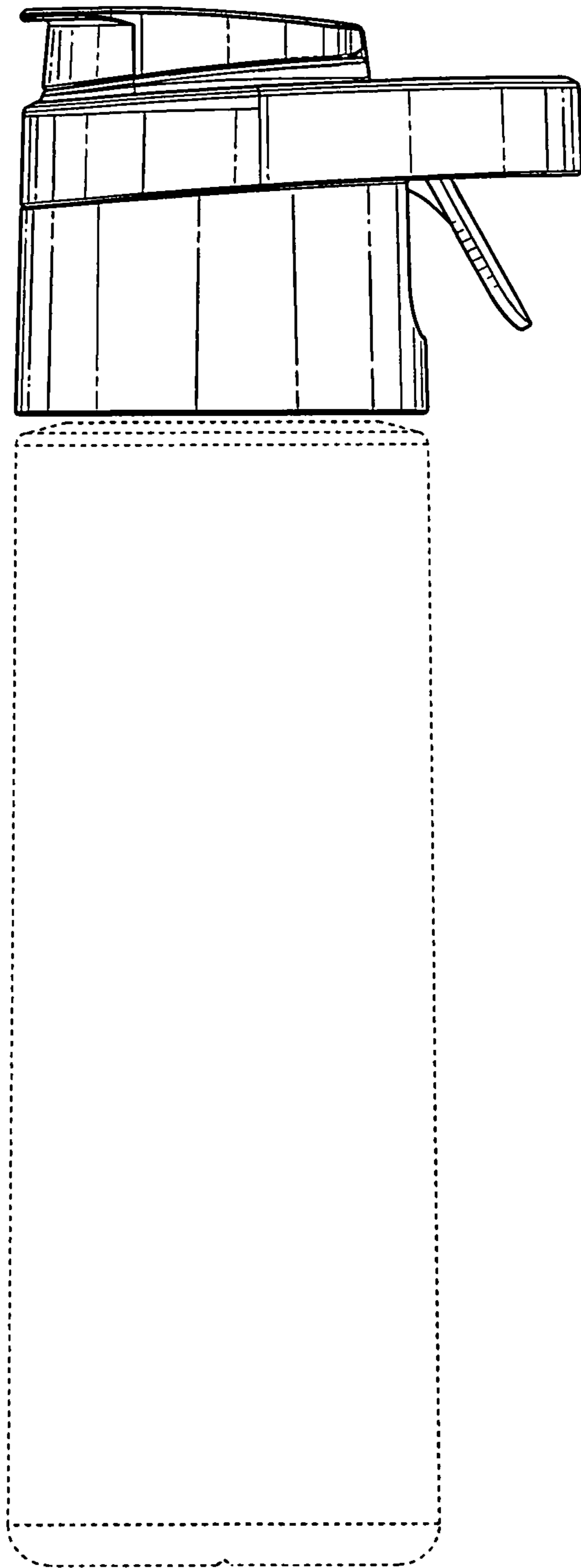
**FIG. 2**



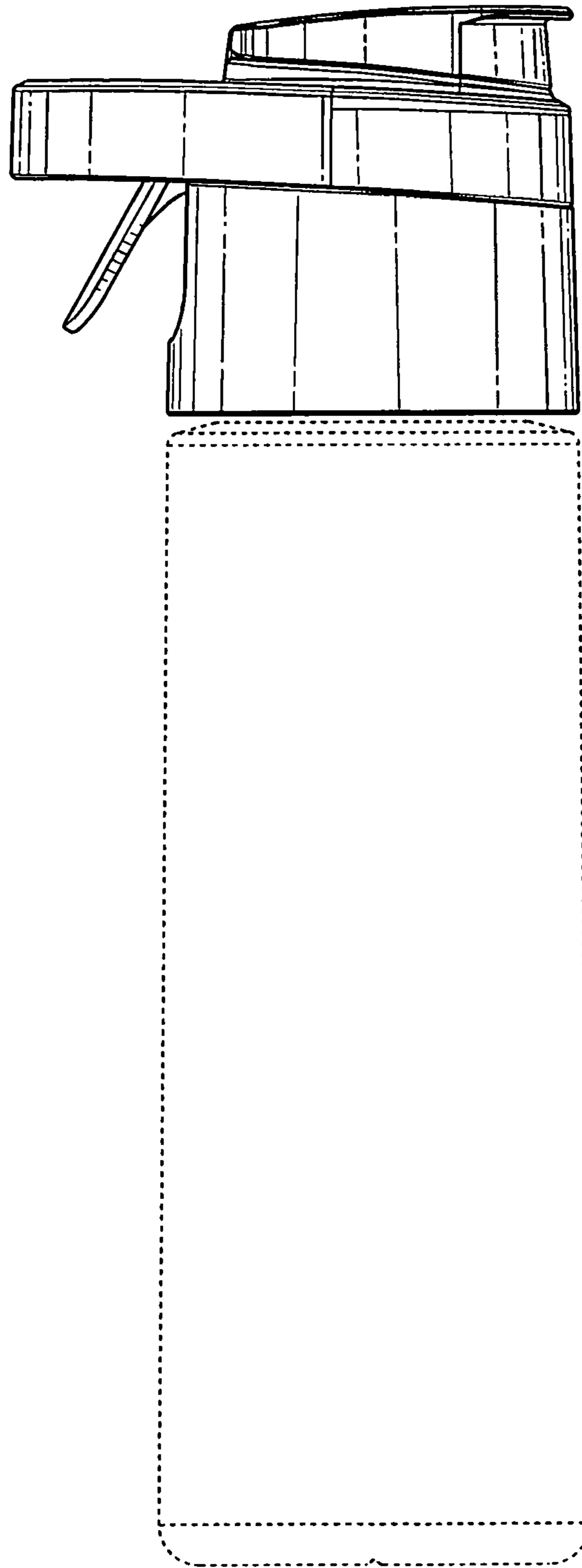
**FIG. 3**



**FIG. 4**

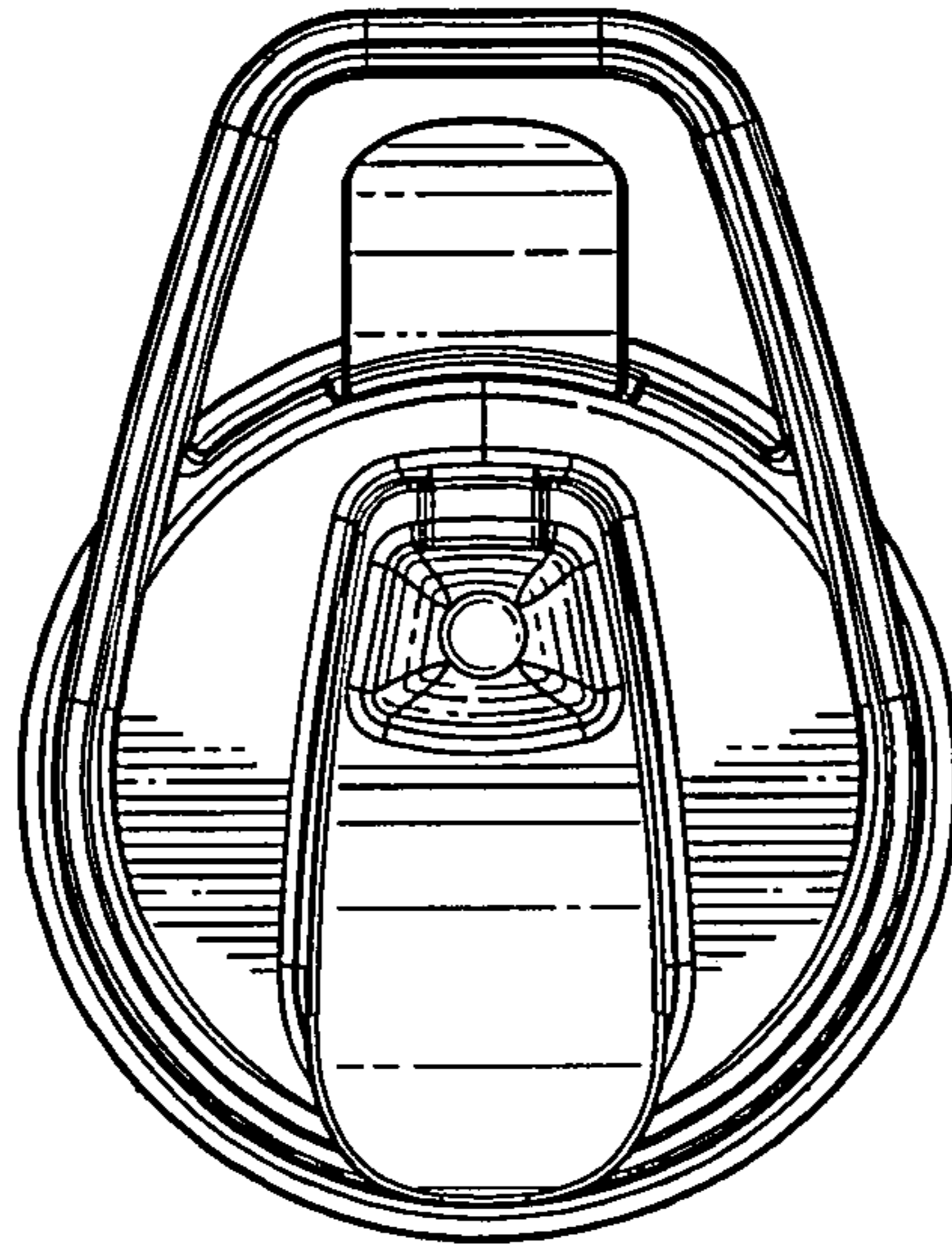


**FIG. 5**

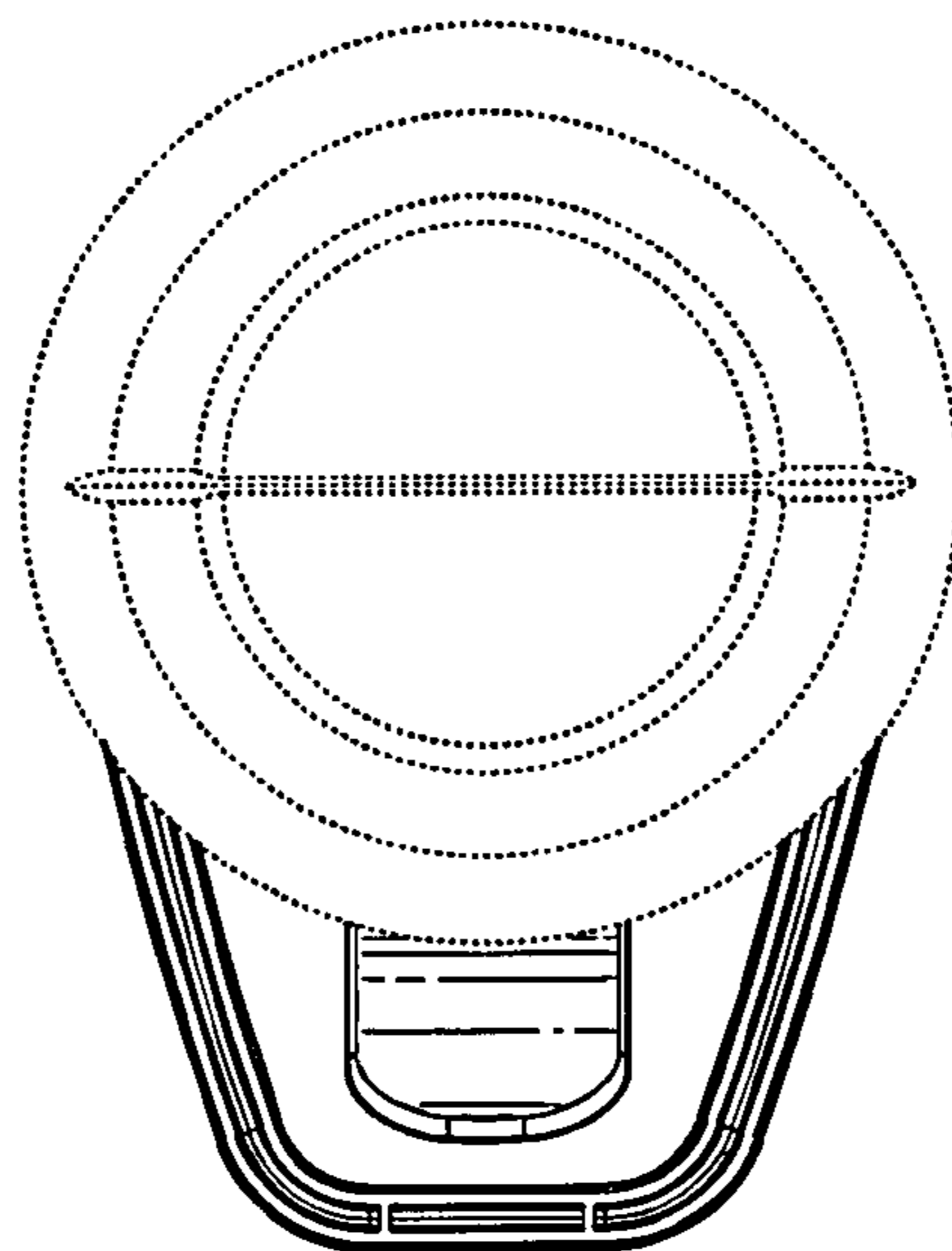


**FIG. 6**





**FIG. 7**



**FIG. 8**