



US00D734150S

(12) **United States Design Patent**
Rigel

(10) **Patent No.:** **US D734,150 S**
(45) **Date of Patent:** **** Jul. 14, 2015**

- (54) **POURER FOR A BOTTLE**
- (71) Applicant: **Doron Rigel**, Doar-Na Mensashe (IL)
- (72) Inventor: **Doron Rigel**, Doar-Na Mensashe (IL)
- (**) Term: **14 Years**
- (21) Appl. No.: **29/481,349**
- (22) Filed: **Feb. 5, 2014**
- (51) **LOC (10) Cl.** **09-07**
- (52) **U.S. Cl.**
USPC **D9/440**
- (58) **Field of Classification Search**
USPC D7/300, 300.1, 317, 387, 392, 397, 398,
D7/510, 511, 619.1; D9/434, 435, 436,
D9/439, 440, 443, 444, 445, 447, 449, 450,
D9/452, 453, 499, 503, 505; D24/108,
D24/127; 220/711, 717; 222/325, 386.5,
222/541.1, 545, 566, 567, 570
CPC B65D 25/48; B65D 47/06
See application file for complete search history.

- (56) **References Cited**
U.S. PATENT DOCUMENTS
D33,101 S * 8/1900 Corcoran D9/440
2,678,142 A * 5/1954 Creed 220/717
D249,647 S * 9/1978 Goodall D9/447
D421,908 S * 3/2000 Abrams D9/440
D453,472 S * 2/2002 Kwong D9/447
D591,594 S * 5/2009 Jalet D9/440
D592,906 S * 5/2009 Allen et al. D7/398
D633,753 S * 3/2011 White D7/398
D656,820 S * 4/2012 Willows et al. D9/447

- D690,596 S * 10/2013 Logue D9/447
- D719,827 S * 12/2014 Duran et al. D9/447
- 2004/0232175 A1 * 11/2004 deCler et al. 222/567
- 2014/0110441 A1 * 4/2014 Last 222/566
- 2014/0131398 A1 * 5/2014 Bardet et al. 222/545

OTHER PUBLICATIONS

Bar Products. Liquor Pourer Guide. [Jul. 8, 2013], [site visited Jan. 28, 2015]. Available from Internet, <URL:http://www.barproducts.com/blog/liquor-pourer-guide/>.*

* cited by examiner

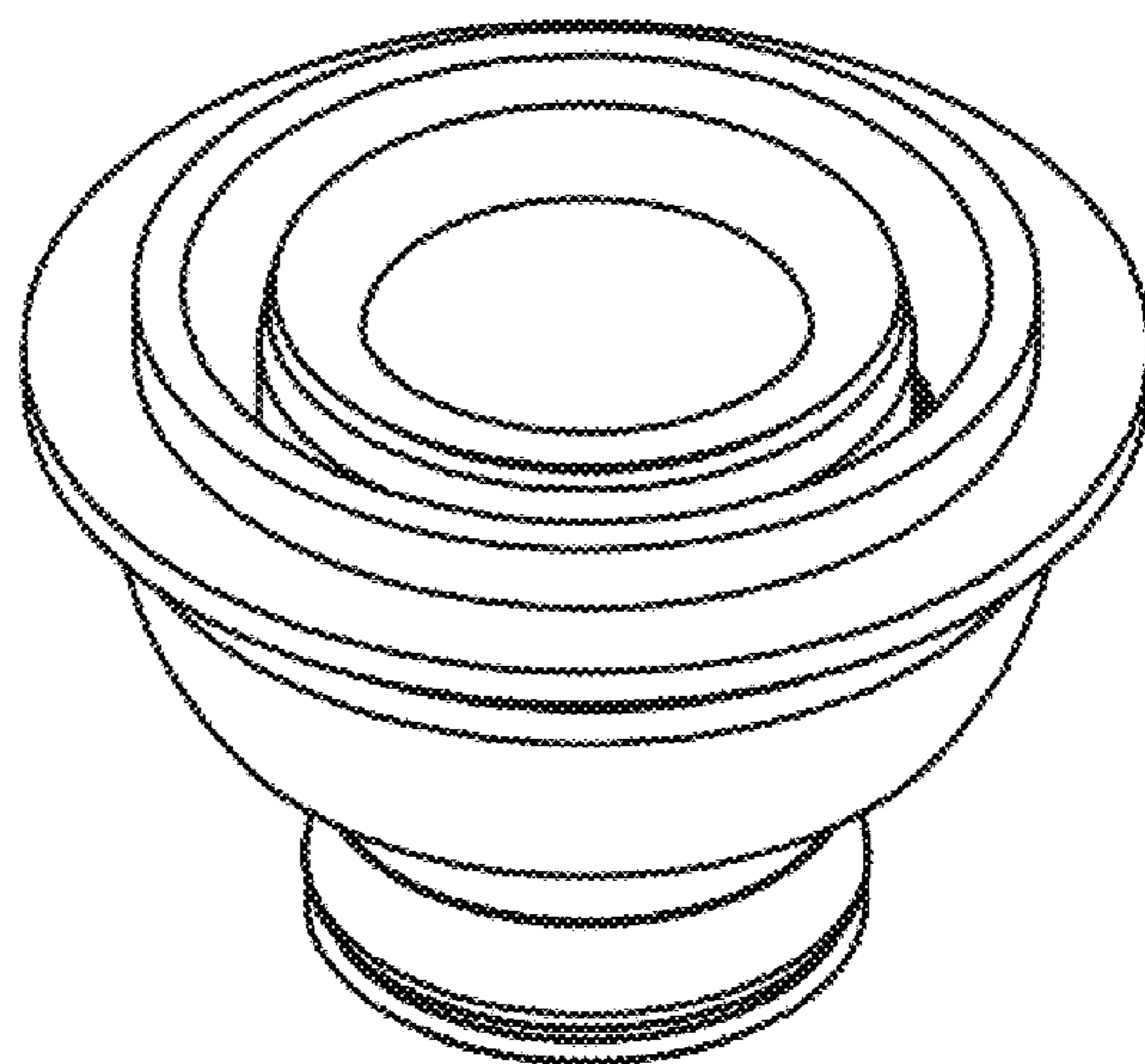
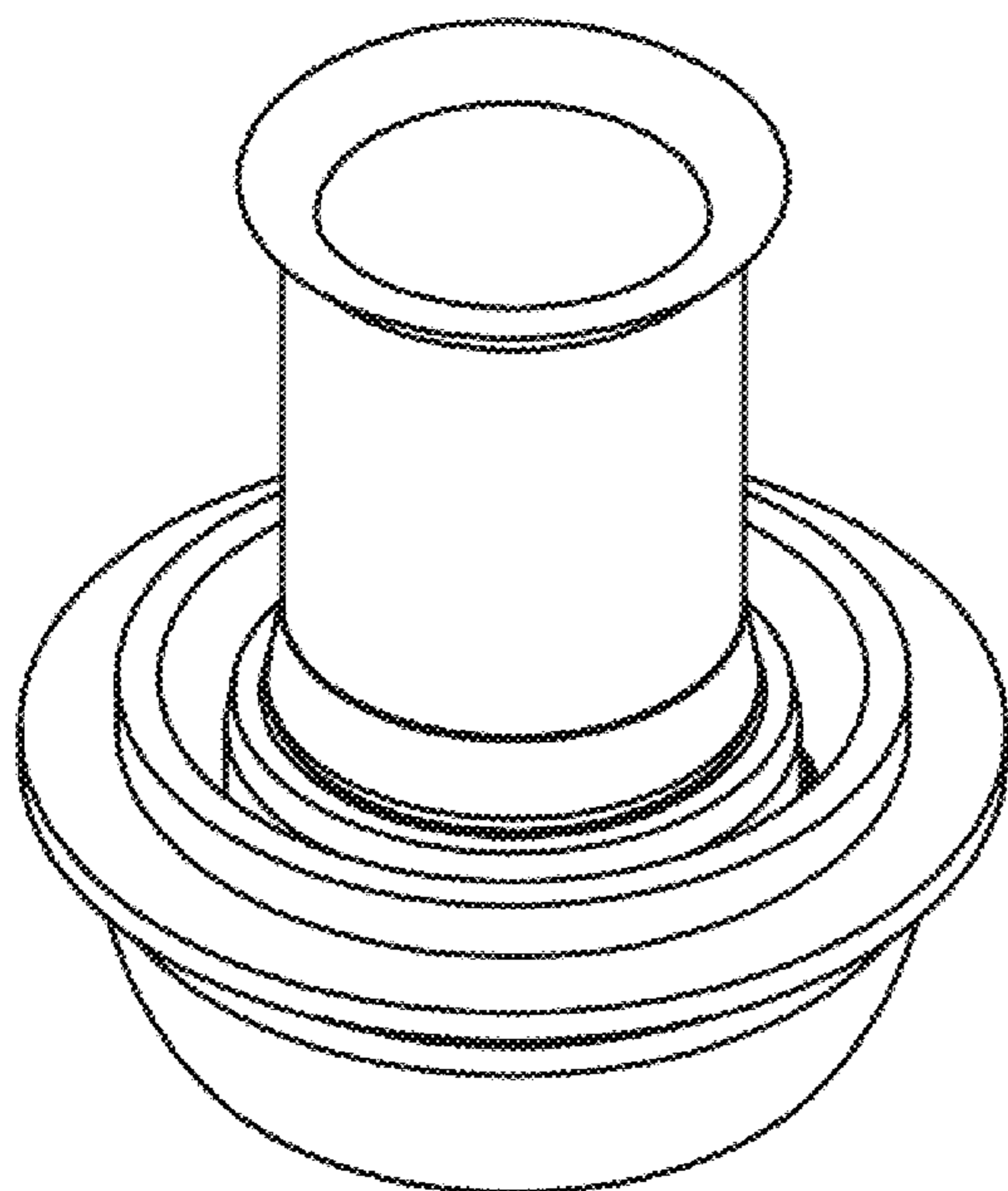
Primary Examiner — Robert M. Spear
Assistant Examiner — Darcey E Heflin

(57) **CLAIM**
The ornamental design for a pourer for a bottle, as shown and described.

DESCRIPTION

FIG. 1 is a perspective view of a pourer for a bottle in an open configuration showing my new design;
FIG. 2 is a front view thereof; the rear and side views being identical;
FIG. 3 is a bottom perspective view thereof;
FIG. 4 is a perspective view of the pourer for a bottle of FIG. 1 in a closed configuration; and,
FIG. 5 is a front view of FIG. 4; the rear and side views being identical.

1 Claim, 2 Drawing Sheets



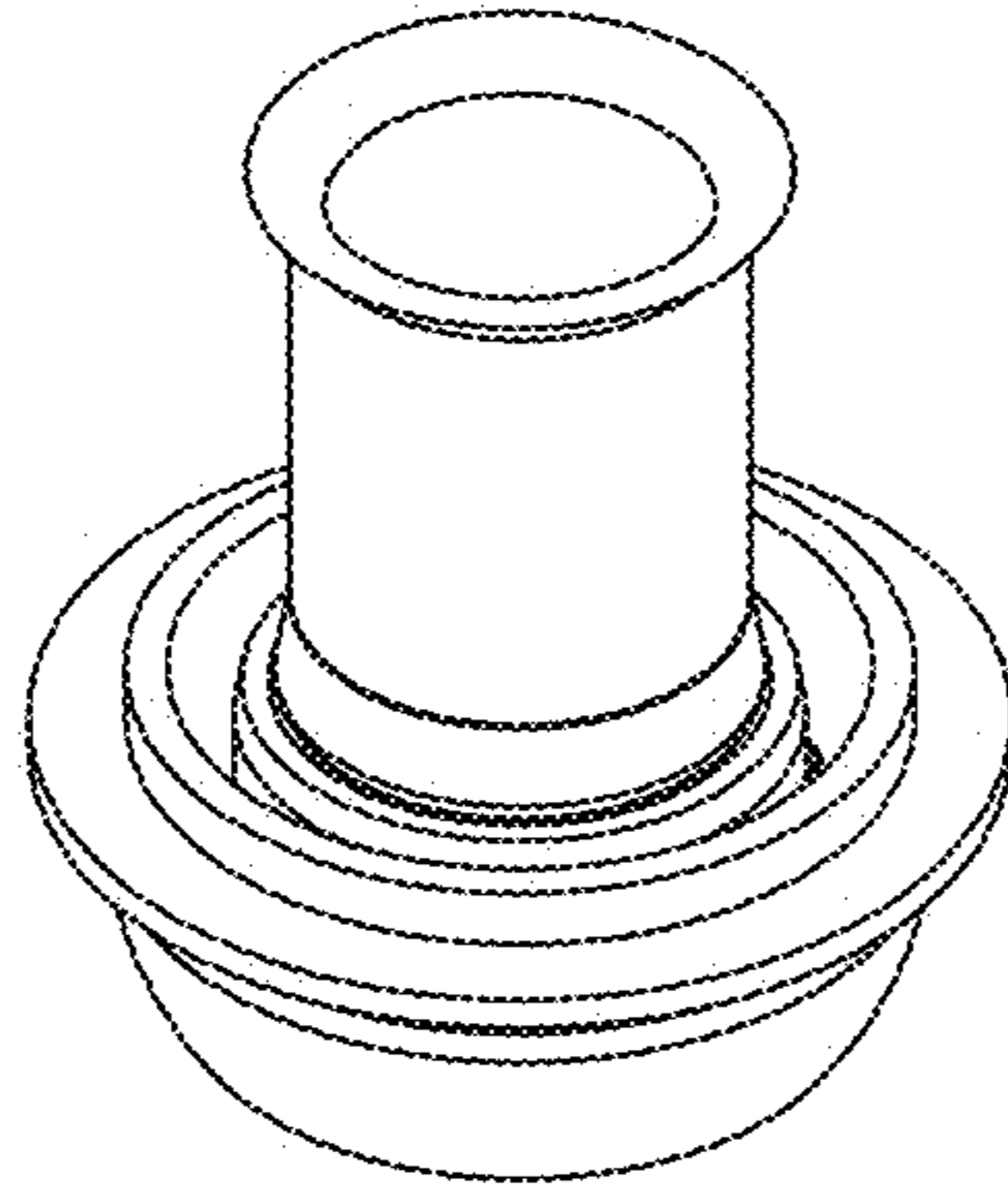


FIG. 1

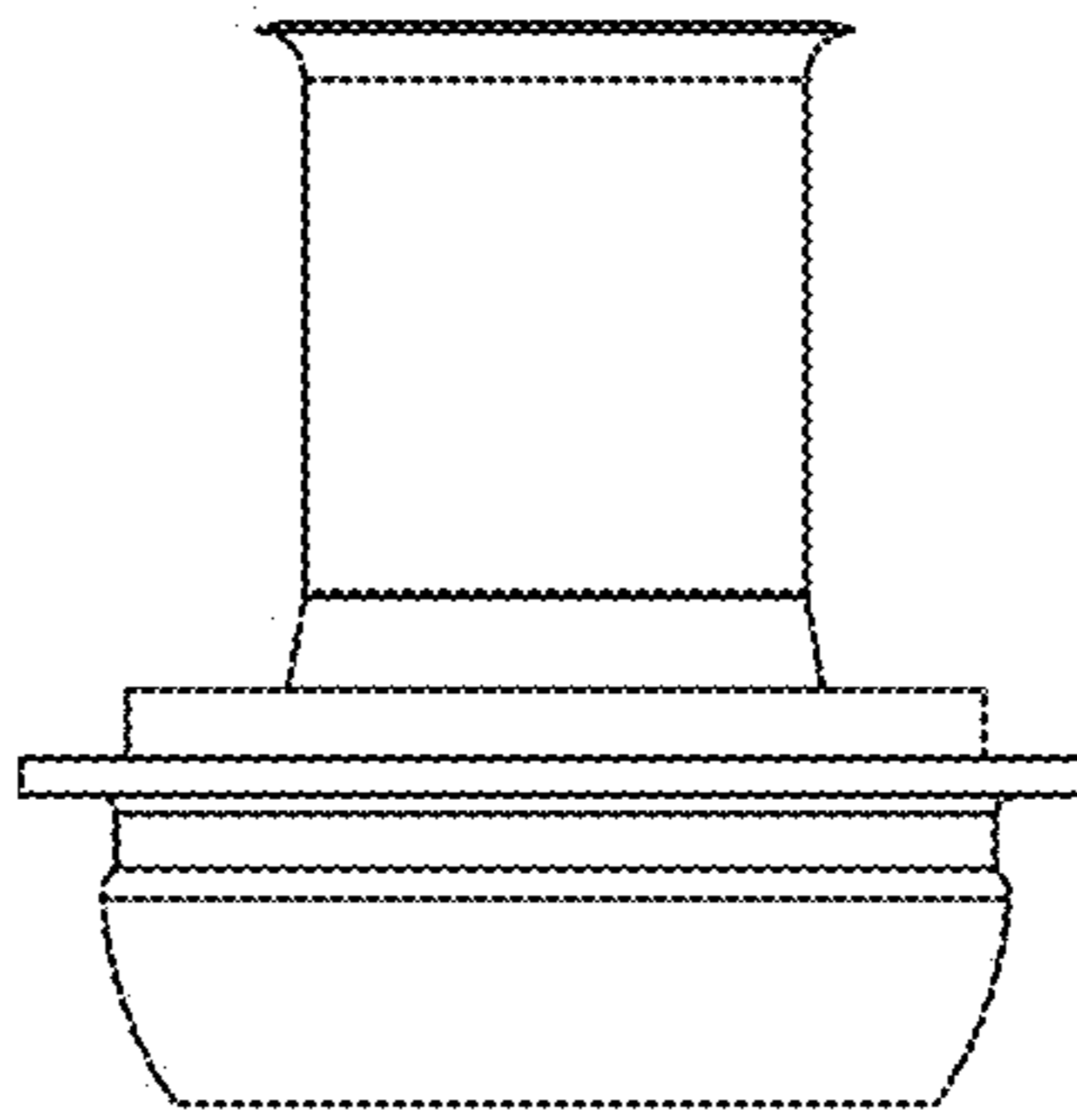


FIG. 2

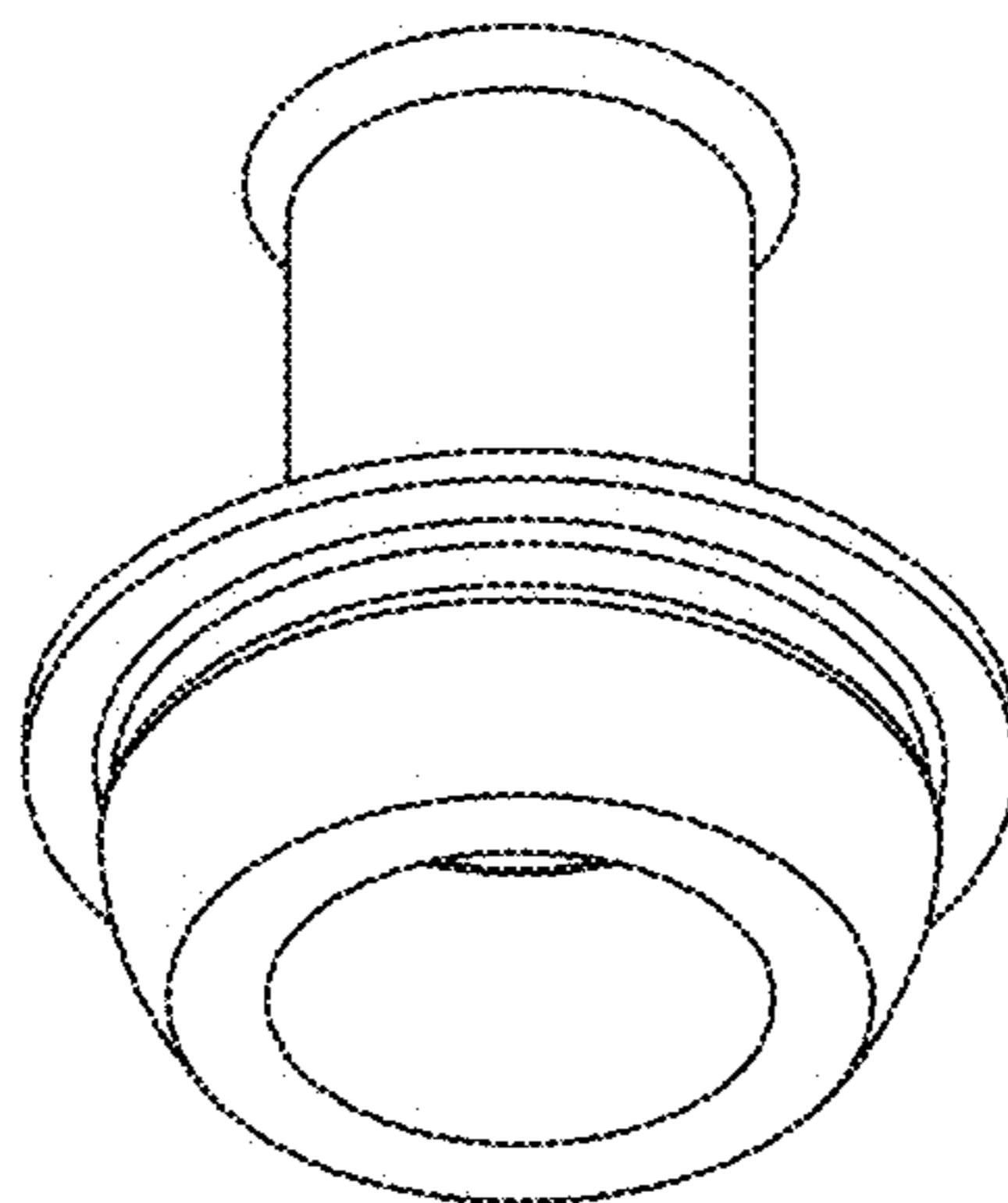


FIG. 3

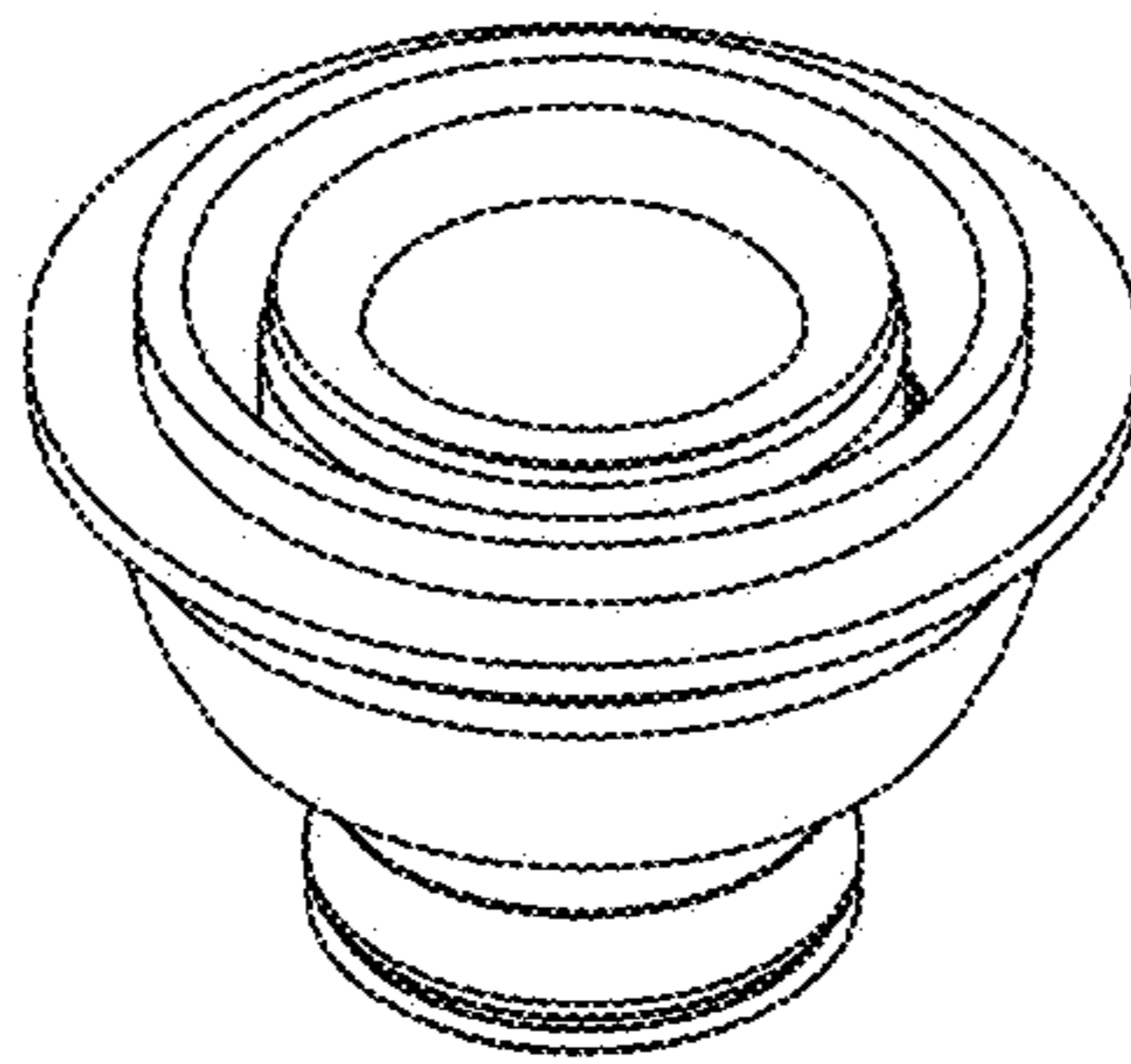


FIG. 4

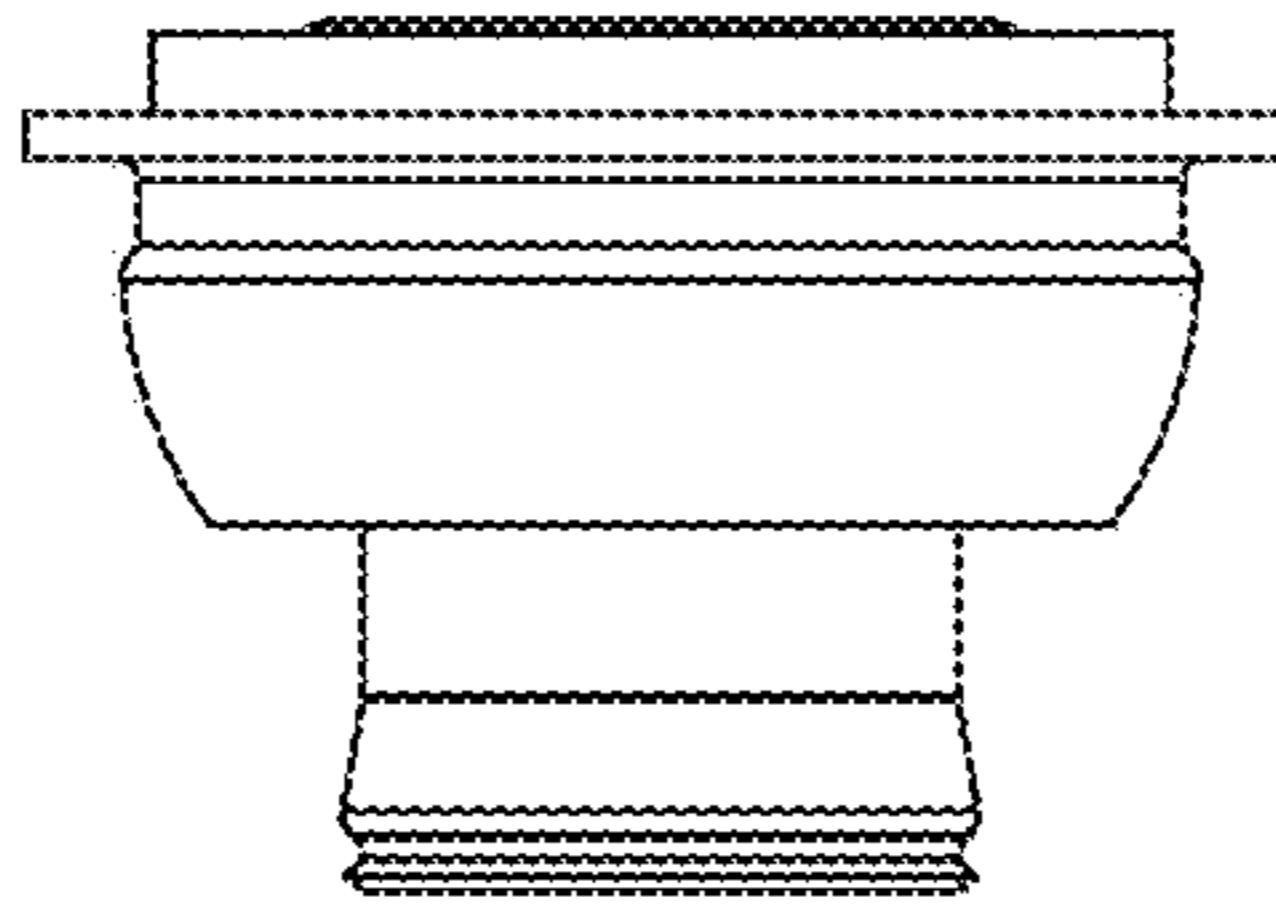


FIG. 5