



US00D734149S

(12) **United States Design Patent**
McGrath, Jr. et al.

(10) **Patent No.:** **US D734,149 S**
(45) **Date of Patent:** **** Jul. 14, 2015**

- (54) **CANISTER COVER**
- (71) Applicants: **James W. McGrath, Jr.**, Daytona Beach, FL (US); **George M. Salg**, Enosburg Falls, VT (US)
- (72) Inventors: **James W. McGrath, Jr.**, Daytona Beach, FL (US); **George M. Salg**, Enosburg Falls, VT (US)
- (73) Assignee: **PBM Nutritionals, LLC**, Charlottesville, VA (US)
- (**) Term: **14 Years**

| | | | |
|--------------|---------|------------------|--------|
| 3,722,779 A | 3/1973 | Chang | |
| 3,893,566 A | 7/1975 | Ross | |
| D254,842 S * | 4/1980 | Berner | D9/718 |
| 4,211,336 A | 7/1980 | Helms | |
| 4,432,466 A | 2/1984 | Allen | |
| 4,453,646 A | 6/1984 | Harrild | |
| D280,704 S * | 9/1985 | Dalton | D9/721 |
| 4,724,977 A | 2/1988 | Cleevely et al. | |
| 4,844,263 A | 7/1989 | Hadtke | |
| D311,334 S | 10/1990 | Flynn et al. | |
| 4,966,301 A | 10/1990 | Yamashita et al. | |
| 5,009,310 A | 4/1991 | Finney | |
| 5,054,642 A | 10/1991 | Yoshida | |
| 5,090,572 A | 2/1992 | DeRoseau | |
| 5,145,088 A | 9/1992 | Goujon | |
| 5,409,126 A | 4/1995 | DeMars | |
| 5,443,174 A | 8/1995 | Bauer | |

(21) Appl. No.: **29/475,129**

(Continued)

(22) Filed: **Nov. 29, 2013**

FOREIGN PATENT DOCUMENTS

Related U.S. Application Data

| | | |
|----|---------------|---------|
| GB | 2424863 A | 10/2006 |
| WO | 2007109891 A1 | 10/2007 |

(63) Continuation-in-part of application No. 14/122,100, filed as application No. PCT/US2012/000408 on Sep. 21, 2012.

(Continued)

(51) **LOC (10) Cl.** **09-07**

Primary Examiner — Robert M Spear

(52) **U.S. Cl.**

Assistant Examiner — Darcey E Heflin

USPC **D9/438**

(74) *Attorney, Agent, or Firm* — Breiner & Breiner, L.L.C.

(58) **Field of Classification Search**

USPC D3/203.1, 203.6, 304, 319; D7/391, D7/391.1, 392, 602, 612, 629; D9/425, D9/426, 428, 434-439, 443-446, 449, D9/455-457, 499, 516, 520, 529, 530, 543, D9/718, 721; 62/371; 73/426; 206/38, 570; 220/23.8, 315, 361, 560.03, 697, 735, 220/810

(57) **CLAIM**

The ornamental design for a canister cover, as shown and described.

CPC B65D 51/20

DESCRIPTION

See application file for complete search history.

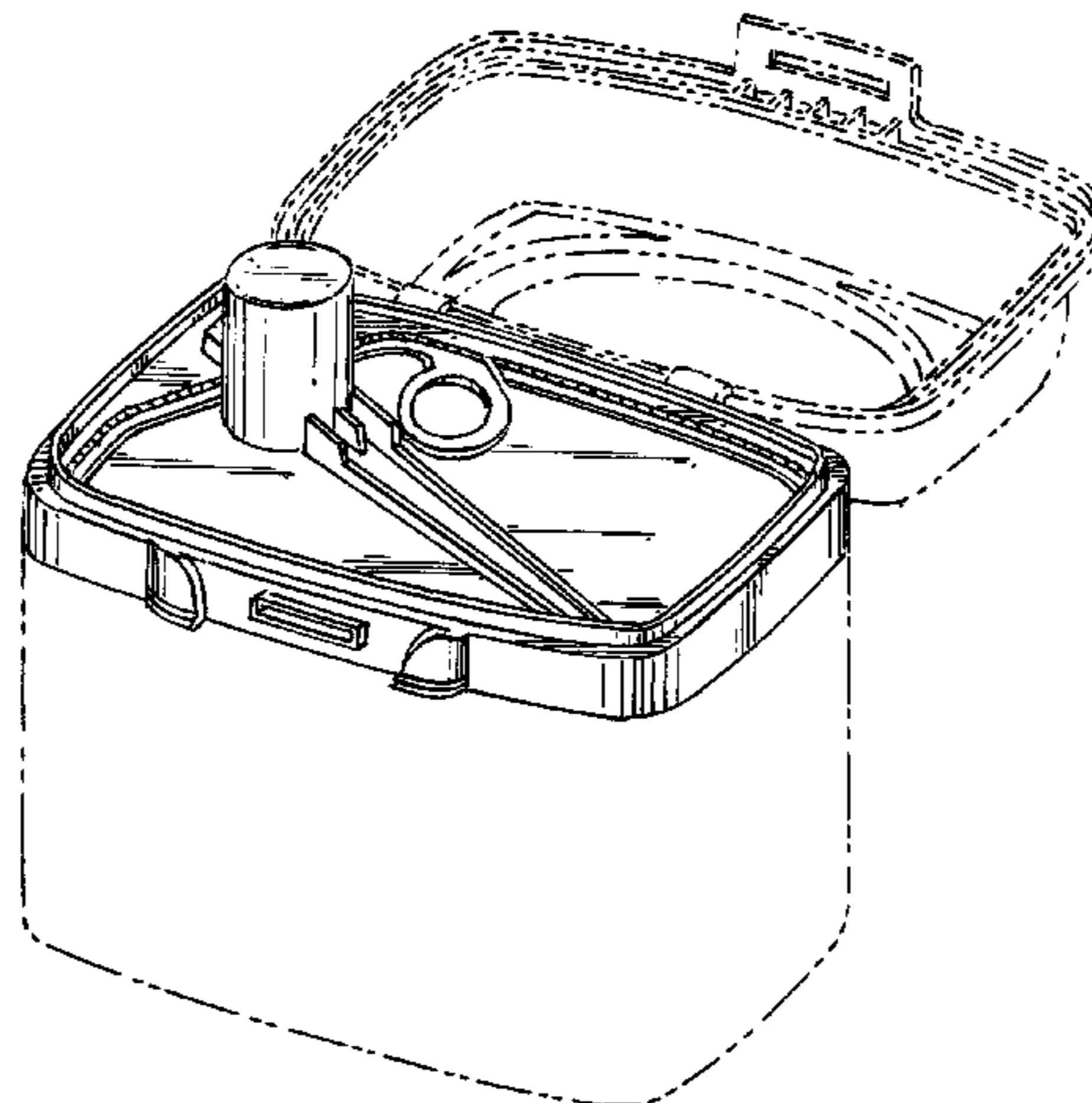
FIG. 1 is a perspective view of a canister cover. FIG. 2 is a top view of the invention. FIG. 3 is a front view of the invention. FIG. 4 is a rear view of the invention. FIG. 5 is a first side view of the invention; and, FIG. 6 is a second side view of the invention. In the drawings, the broken lines depict environmental subject matter that forms no part of the claim.

(56) **References Cited**

U.S. PATENT DOCUMENTS

| | | |
|-------------|---------|--------------|
| D82,247 S | 10/1930 | Campbell |
| 2,738,900 A | 3/1956 | Wenger |
| 3,448,888 A | 6/1969 | Smith et al. |

1 Claim, 2 Drawing Sheets



(56)

References Cited

U.S. PATENT DOCUMENTS

5,515,974 A * 5/1996 Higson 206/570
 5,705,212 A 1/1998 Atkinson
 5,706,974 A 1/1998 Murdick et al.
 5,775,531 A 7/1998 Lowry
 5,865,335 A 2/1999 Farrell et al.
 5,982,284 A 11/1999 Baldwin et al.
 6,064,306 A 5/2000 Deschenes et al.
 6,153,287 A 11/2000 Gasnier
 D462,012 S 8/2002 Manderfield, Jr.
 D470,412 S 2/2003 Palmer-Ball
 D473,140 S 4/2003 Gilliam et al.
 D476,898 S 7/2003 Schuller et al.
 6,591,981 B2 7/2003 Draghetti
 6,604,645 B1 8/2003 Vaupotic
 D479,955 S 9/2003 Samartgis
 D483,988 S 12/2003 Kipperman et al.
 D484,797 S 1/2004 Kipperman et al.
 6,761,279 B1 7/2004 Martin et al.
 6,761,283 B1 7/2004 Gilliam et al.
 6,772,904 B1 8/2004 Gilliam et al.
 D501,754 S 2/2005 Munson et al.
 6,955,381 B2 10/2005 Parker et al.
 7,040,500 B2 5/2006 Kipperman et al.
 D528,919 S 9/2006 Kipperman et al.
 D530,616 S 10/2006 Kipperman et al.
 D530,617 S 10/2006 Little et al.
 D533,713 S * 12/2006 Tucci et al. D3/203.6
 7,175,041 B2 2/2007 Ekkert
 D541,598 S 5/2007 Kim
 D541,648 S 5/2007 Bennett et al.
 D553,988 S 10/2007 Perry et al.
 D555,487 S 11/2007 Perry et al.
 D562,640 S 2/2008 Tucker et al.
 D562,680 S 2/2008 Vrhovski
 D566,482 S 4/2008 Tucker et al.
 7,370,788 B1 5/2008 Otani et al.
 D576,035 S 9/2008 Perry et al.
 D578,401 S 10/2008 Perry et al.
 7,464,475 B2 12/2008 Tsao
 D586,217 S 2/2009 Pedmo et al.
 7,528,727 B2 5/2009 Morrow
 D595,131 S * 6/2009 Dibnah et al. D9/436
 D600,131 S 9/2009 Perry et al.
 7,621,417 B2 11/2009 Peterson et al.
 D605,041 S 12/2009 Perry et al.
 7,631,776 B2 12/2009 Vovan et al.
 D624,406 S 9/2010 Cronican et al.
 D628,062 S 11/2010 Snedden et al.
 7,878,352 B2 2/2011 von Spreckelsen et al.

D640,544 S 6/2011 Sifuentes et al.
 7,963,421 B2 6/2011 Zeiler et al.
 7,967,167 B2 6/2011 Tilton
 7,971,747 B2 7/2011 Blomdahl et al.
 D646,923 S 10/2011 Chhay
 D648,171 S 11/2011 Rusnak
 D666,876 S 9/2012 Rusnak
 D675,477 S 2/2013 McGrath, Jr. et al.
 D676,739 S * 2/2013 McGrath et al. D9/414
 8,376,179 B2 * 2/2013 Horton et al. 220/735
 D677,164 S * 3/2013 Jones et al. D9/456
 8,770,423 B2 * 7/2014 McGeough 220/212
 D715,148 S * 10/2014 Kuo et al. D9/456
 D723,920 S * 3/2015 Wakeham et al. D9/456
 2006/0125642 A1 6/2006 Chandaria
 2006/0156811 A1 7/2006 Borowski et al.
 2006/0207963 A1 9/2006 Little et al.
 2006/0220868 A1 10/2006 Takasawa et al.
 2006/0255052 A1 11/2006 Svitak
 2006/0289376 A1 12/2006 Von Spreckelsen et al.
 2008/0041861 A1 2/2008 Crawford et al.
 2008/0156805 A1 7/2008 Perry et al.
 2008/0156806 A1 7/2008 Perry et al.
 2008/0156808 A1 7/2008 Perry et al.
 2008/0156858 A1 7/2008 Perry et al.
 2008/0173657 A1 7/2008 Perry et al.
 2008/0186367 A1 8/2008 Adkins et al.
 2008/0284567 A1 11/2008 Portier et al.
 2010/0031747 A1 2/2010 Hall
 2010/0051631 A1 3/2010 Blomdahl et al.
 2010/0108670 A1 5/2010 Perry et al.
 2010/0206751 A1 * 8/2010 Wessel 206/38
 2010/0213095 A1 8/2010 Eiten
 2010/0270323 A1 * 10/2010 Zeiler et al. 220/810
 2010/0308044 A1 12/2010 Perry et al.
 2010/0308052 A1 12/2010 Zeiler et al.
 2010/0308065 A1 12/2010 Vandamme et al.
 2010/0308066 A1 12/2010 Perry et al.
 2011/0006066 A1 1/2011 Vandamme et al.
 2011/0139783 A1 6/2011 Fisher
 2011/0174817 A1 7/2011 Blomdahl et al.
 2011/0186570 A1 8/2011 Perry et al.
 2014/0097183 A1 * 4/2014 McGrath et al. 220/212

FOREIGN PATENT DOCUMENTS

WO 2008083141 A2 7/2008
 WO 2011067585 A1 6/2011
 WO 2011081677 A1 7/2011
 WO 2011127133 A1 10/2011

* cited by examiner

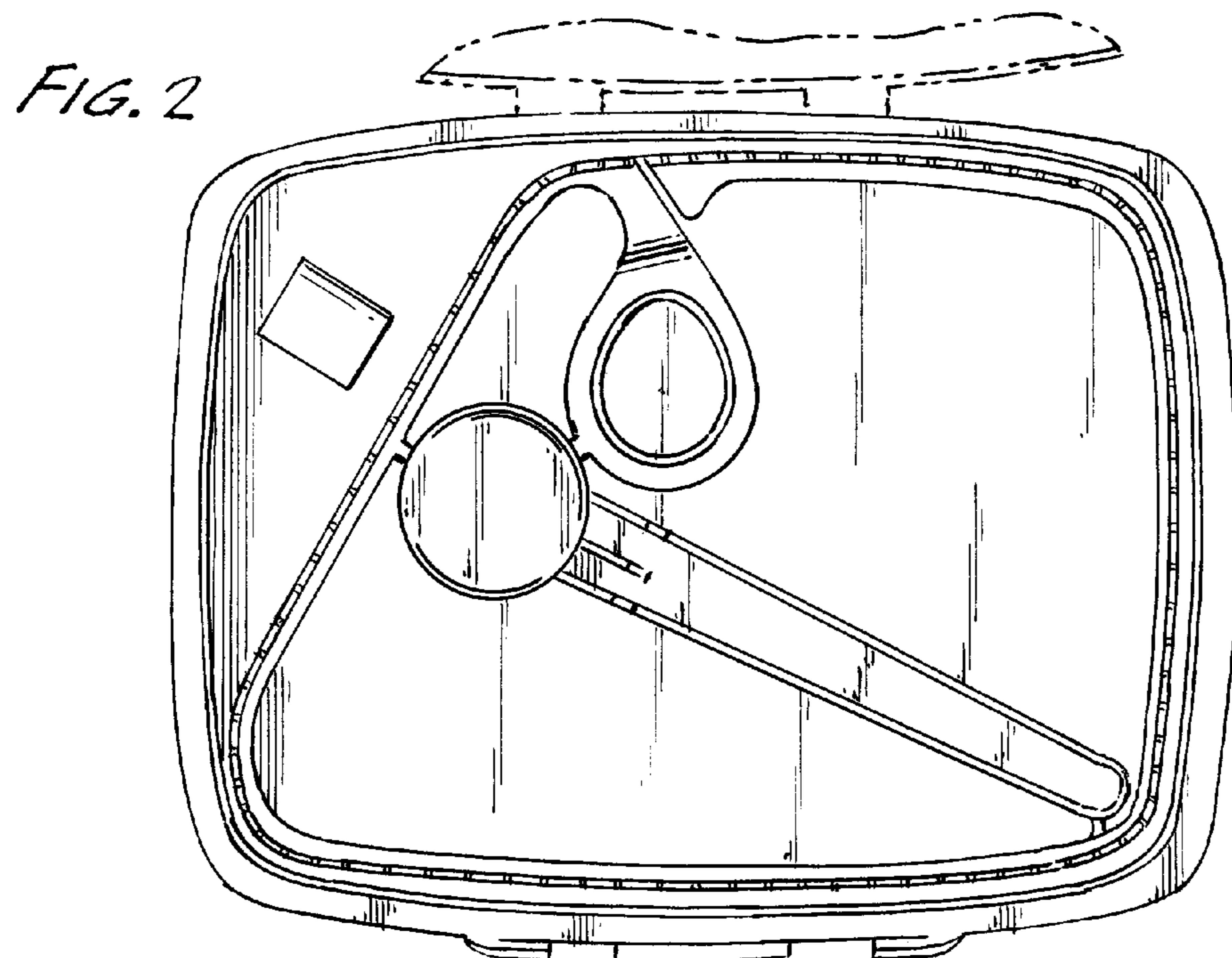
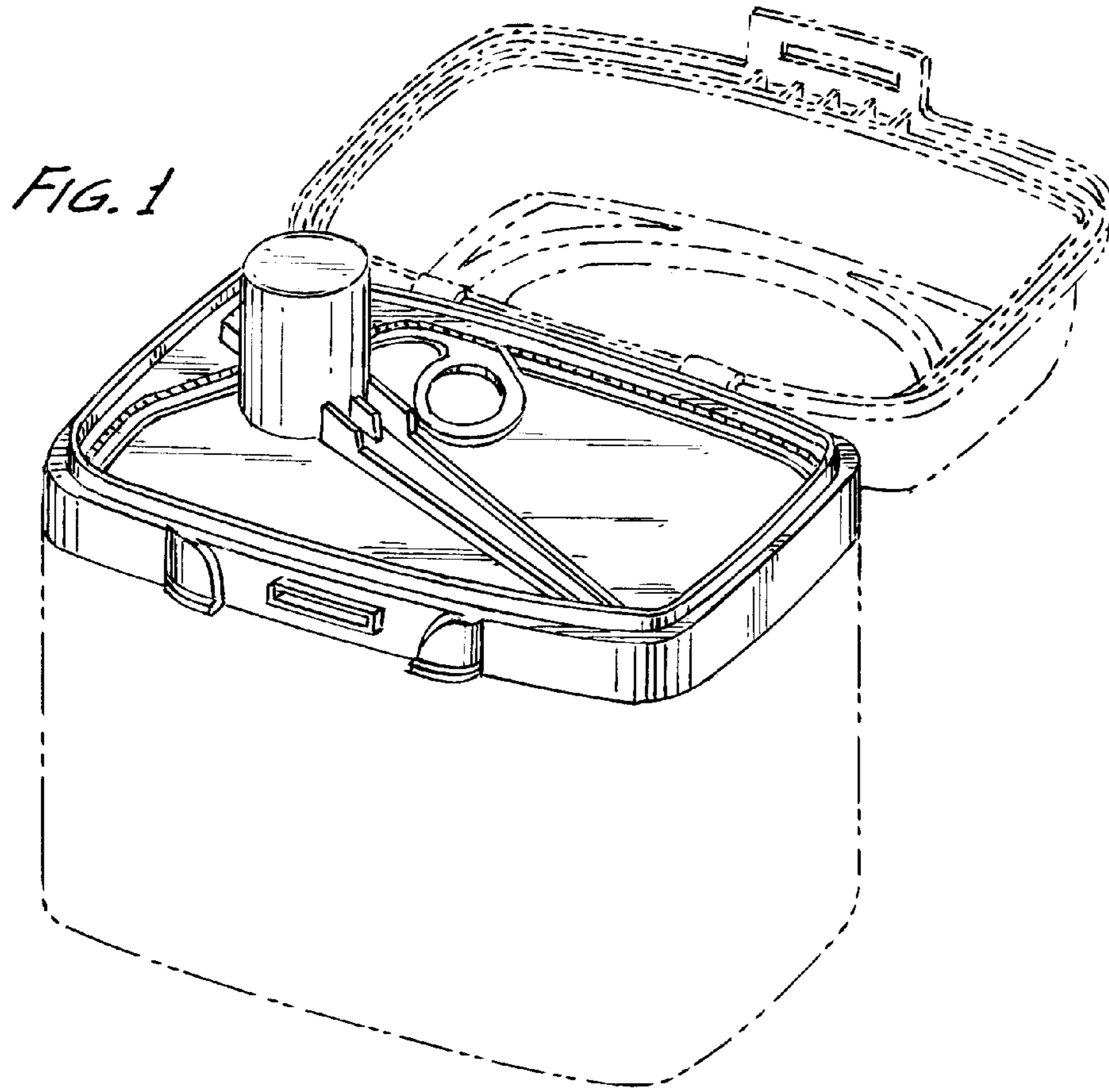


FIG. 3

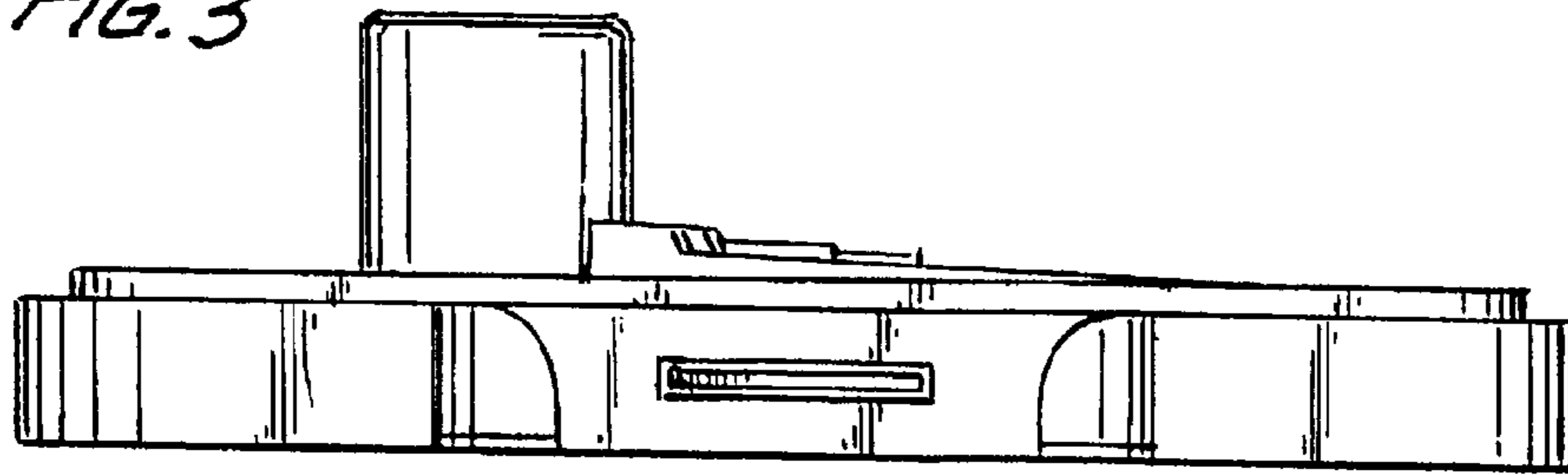


FIG. 4

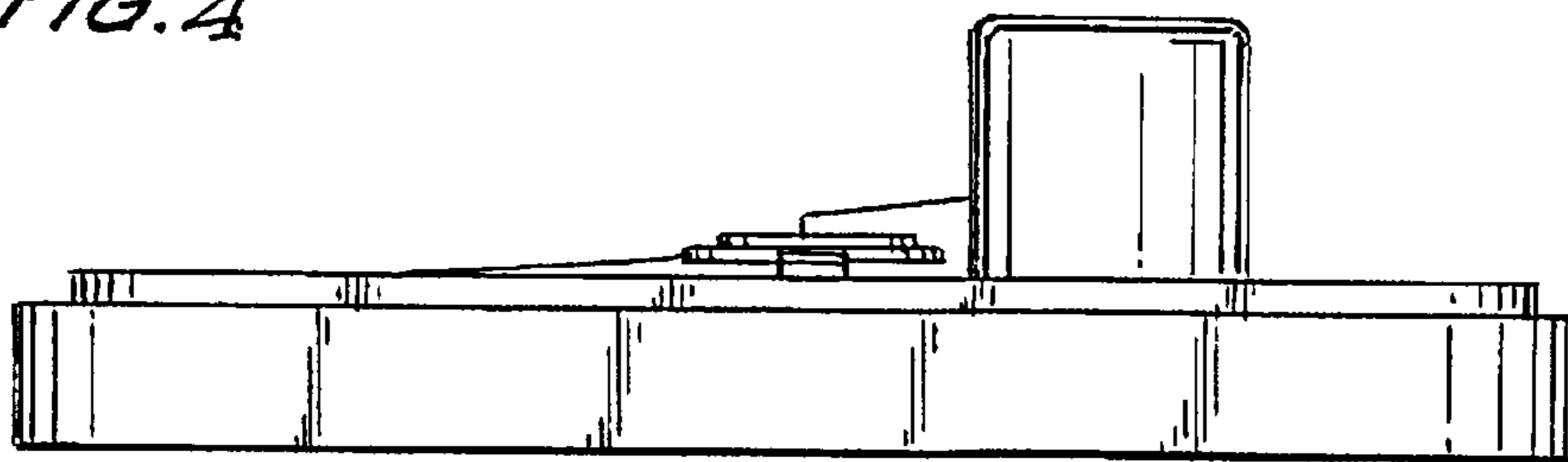


FIG. 5

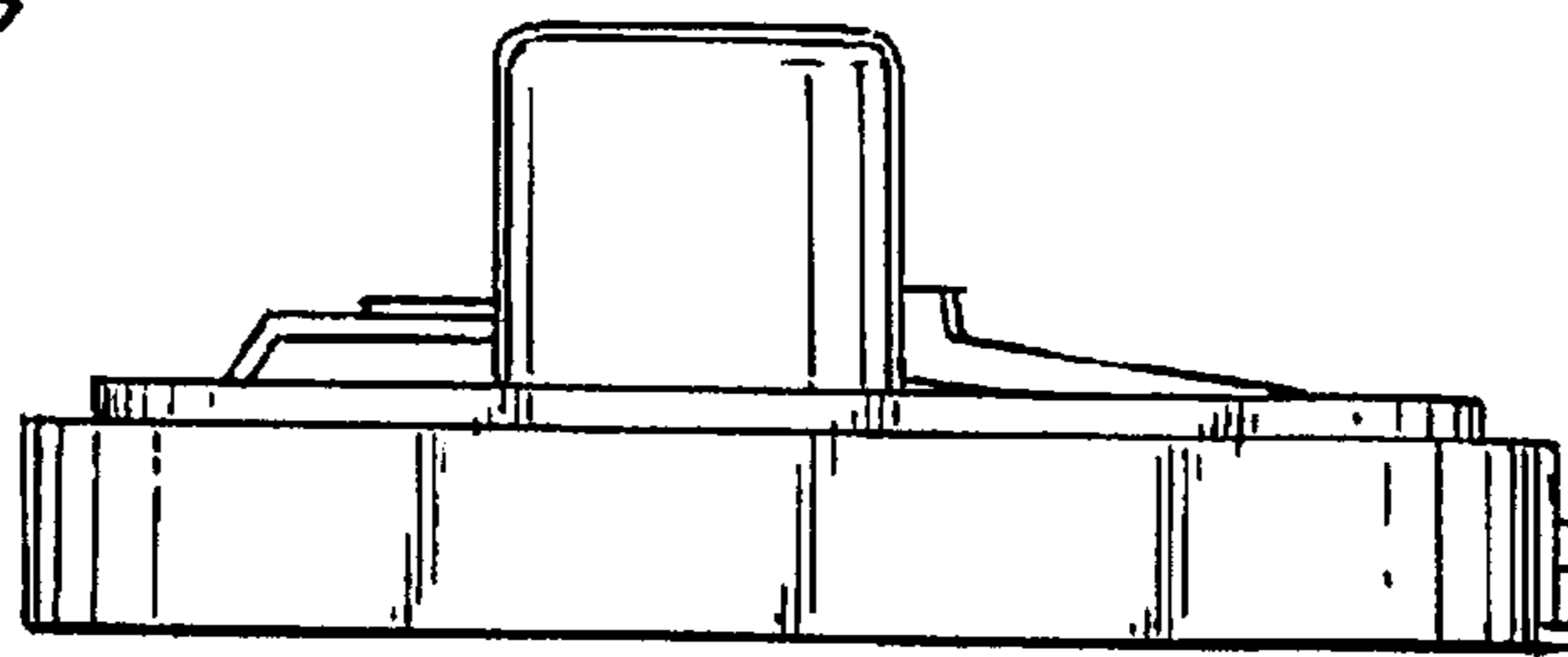


FIG. 6

