



US00D734148S

(12) **United States Design Patent**
Tillman

(10) **Patent No.:** **US D734,148 S**
(45) **Date of Patent:** **** Jul. 14, 2015**

(54) **SPORT BOTTLE CAP**

(71) Applicant: **Christopher Lee Tillman**, Mableton,
GA (US)

(72) Inventor: **Christopher Lee Tillman**, Mableton,
GA (US)

(**) Term: **14 Years**

(21) Appl. No.: **29/486,542**

(22) Filed: **Mar. 31, 2014**

(51) **LOC (10) Cl.** **09-07**

(52) **U.S. Cl.**
USPC **D9/434**

(58) **Field of Classification Search**
USPC D7/396.2, 507, 509, 510, 511;
D9/434-455, 524, 682, 685, 694;
215/200, 235, 236, 252, 254, 329,
215/355-364; 220/203.04-203.07, 220,
220/254.1, 254.4, 556, 703, 704, 705;
D6/542-545; D12/162
CPC B65D 35/44; B65D 2203/00; B65D 11/04;
A63B 41/08
See application file for complete search history.

(56) **References Cited**

U.S. PATENT DOCUMENTS

- D356,277 S * 3/1995 Huang D10/116.1
- D370,836 S * 6/1996 Van Blankenburg D7/625
- D373,310 S * 9/1996 Trautmann D9/441
- D383,979 S * 9/1997 Tucker D9/451
- D390,112 S * 2/1998 Tucker D9/451
- D393,288 S * 4/1998 Paolucci D21/371
- D394,884 S * 6/1998 Paolucci D21/372
- D400,440 S * 11/1998 Tucker D9/451
- D401,149 S * 11/1998 Goserud D9/439
- D402,601 S * 12/1998 Julian D12/162
- D402,888 S * 12/1998 Goserud D9/439
- D409,486 S * 5/1999 Goserud D9/439
- D419,450 S * 1/2000 Adams D9/451
- D433,874 S * 11/2000 Cragg D7/402

- D441,655 S * 5/2001 Siegel et al. D9/451
- D446,723 S * 8/2001 Siegel et al. D9/451
- D462,905 S * 9/2002 Siegel et al. D9/451
- D469,571 S * 1/2003 Franzblau D27/193
- D469,572 S * 1/2003 Franzblau D27/193
- D473,179 S * 4/2003 Burden D12/204
- D482,282 S * 11/2003 Angeletta D9/451
- D507,213 S * 7/2005 Friga D12/162
- D518,693 S * 4/2006 Lee D8/38
- D526,603 S * 8/2006 Gates, II D12/162
- D542,996 S * 5/2007 Gianfrisco D34/11
- D561,652 S * 2/2008 Friga D12/162
- D562,627 S * 2/2008 McDonald D7/398
- D567,917 S * 4/2008 Gentile D23/348
- D587,968 S * 3/2009 Campbell D7/510
- D642,466 S * 8/2011 Azar D9/451
- D664,861 S * 8/2012 Gelin D9/668
- D666,455 S * 9/2012 Levin D7/392.1
- D677,980 S * 3/2013 Levin D7/392
- D677,982 S * 3/2013 Levin D7/392
- D683,278 S * 5/2013 Fox D12/162

* cited by examiner

Primary Examiner — Robert M Spear

Assistant Examiner — Marissa J Cash

(74) *Attorney, Agent, or Firm* — Mathew L. Grell; Balsler & Grell IP Law

(57) **CLAIM**

The ornamental design for a sport bottle cap, as shown and described.

DESCRIPTION

FIG. 1 is a perspective view of a sport bottle cap, showing my new design.

FIG. 2 is a left view, the right side view being a mirror image thereof;

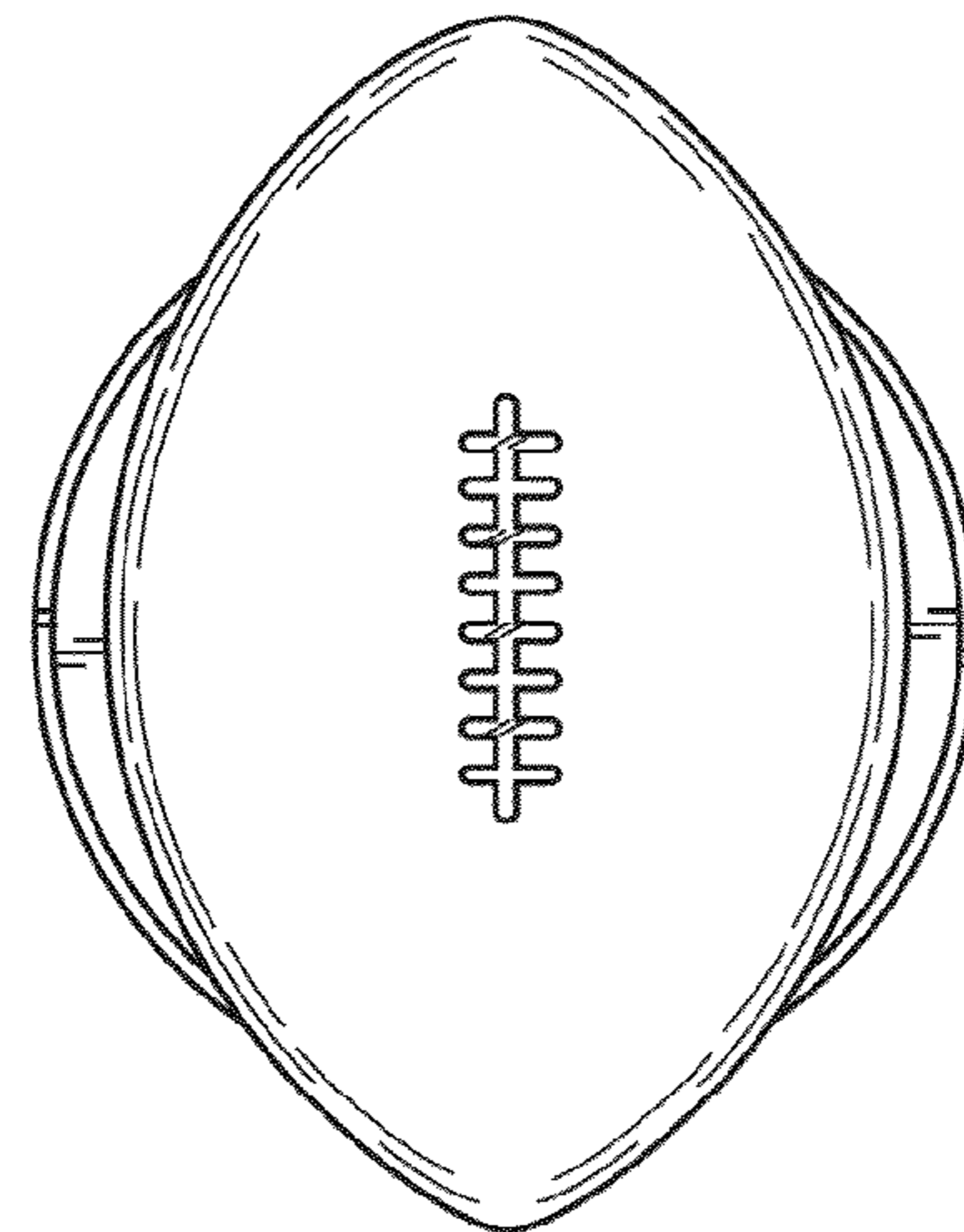
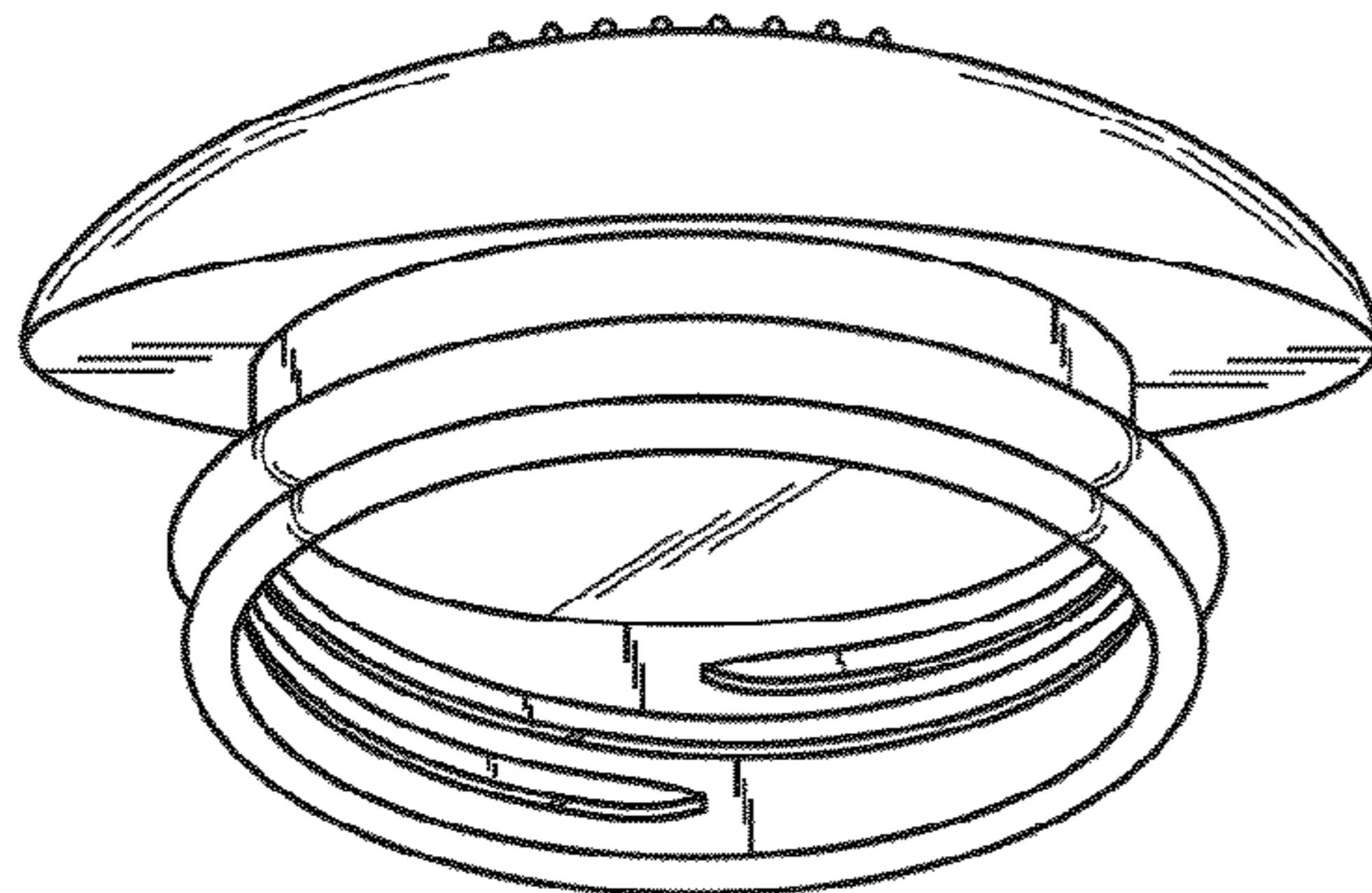
FIG. 3 is a top view thereof;

FIG. 4 is a bottom thereof; and,

FIG. 5 is a front view thereof, shown in use on a bottle that forms no part of the claim.

The broken lines shown in represent the portions of the design which form no part of the claimed design.

1 Claim, 2 Drawing Sheets



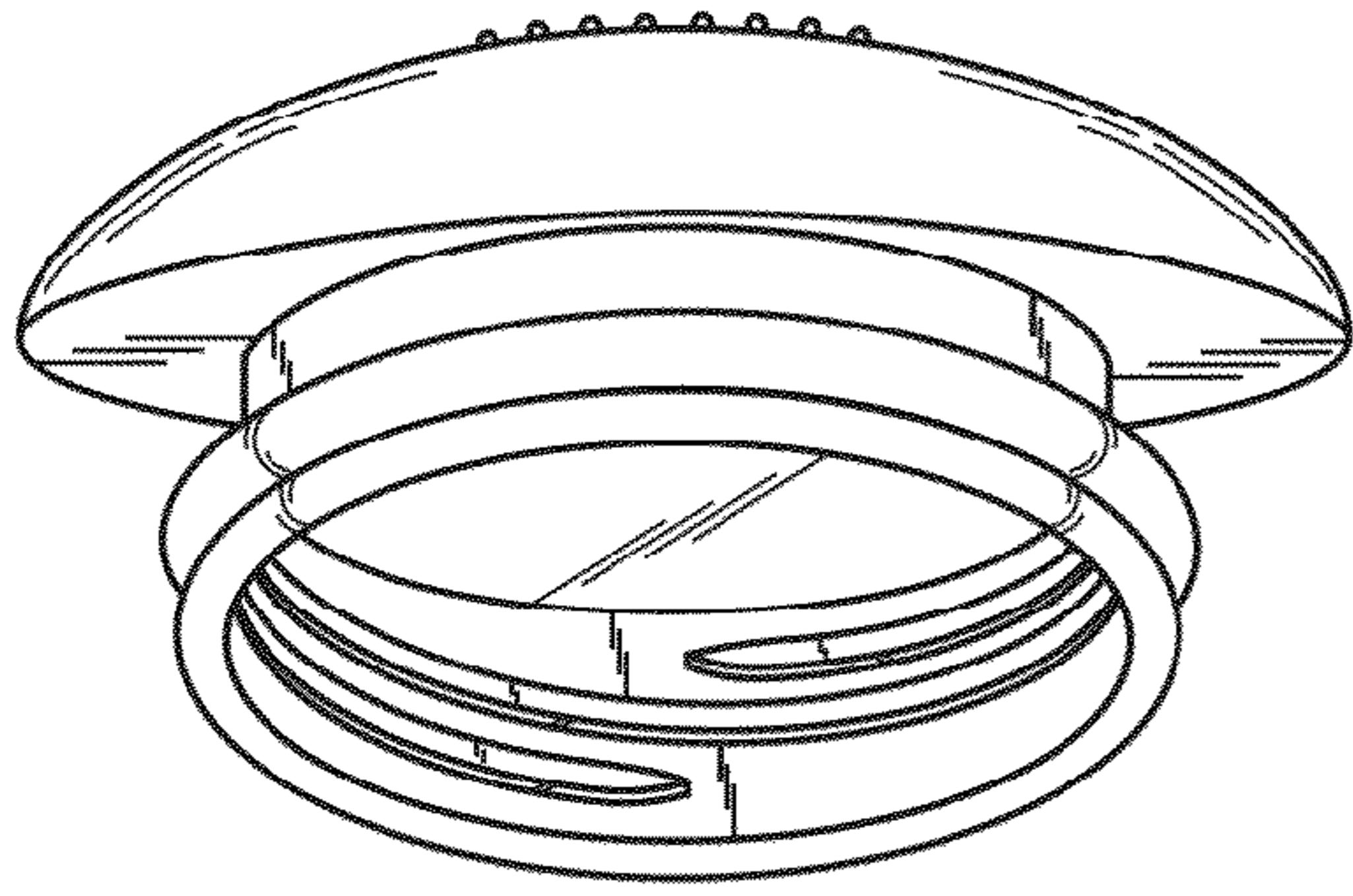


FIG. 1

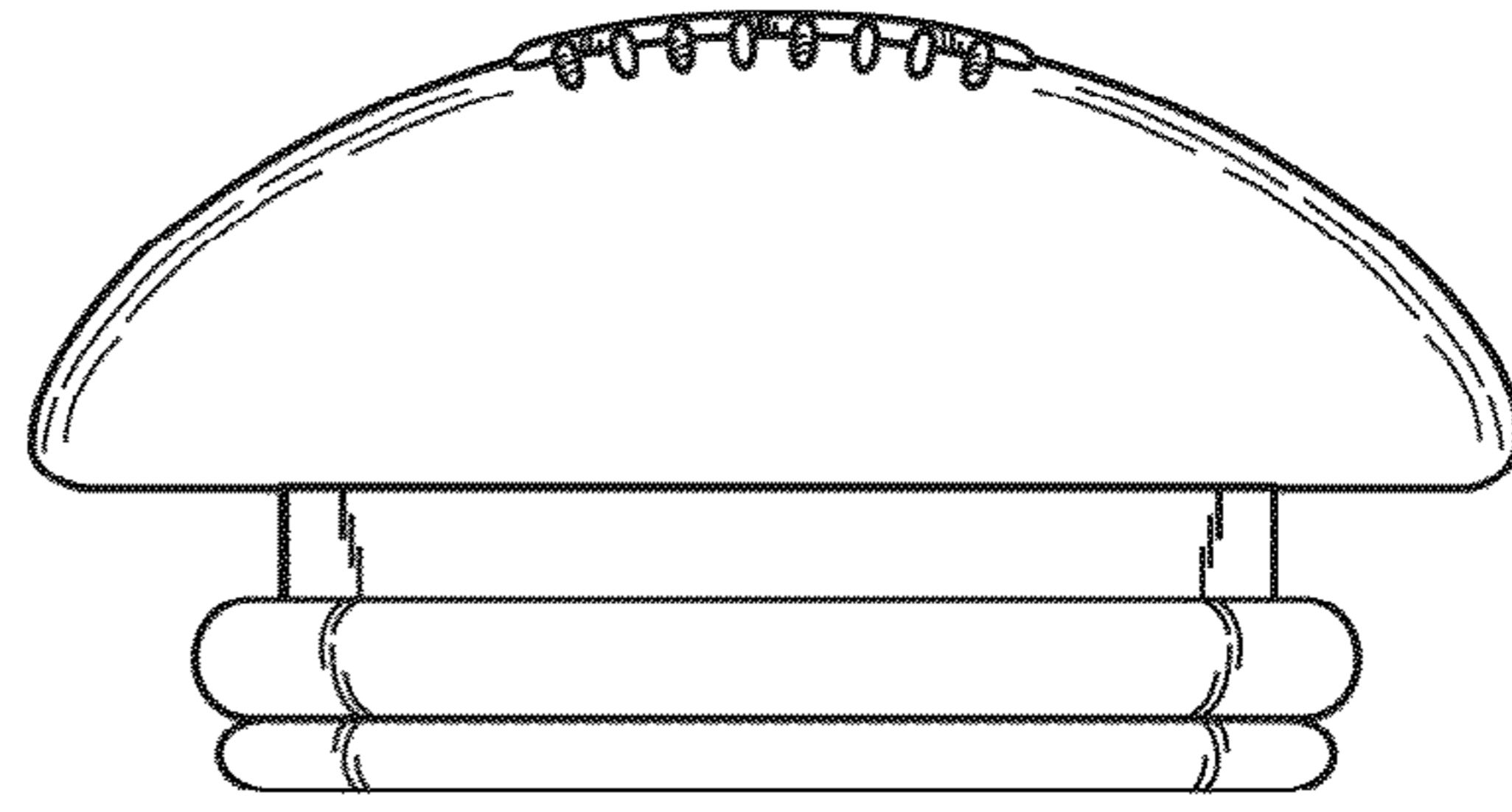


FIG. 2

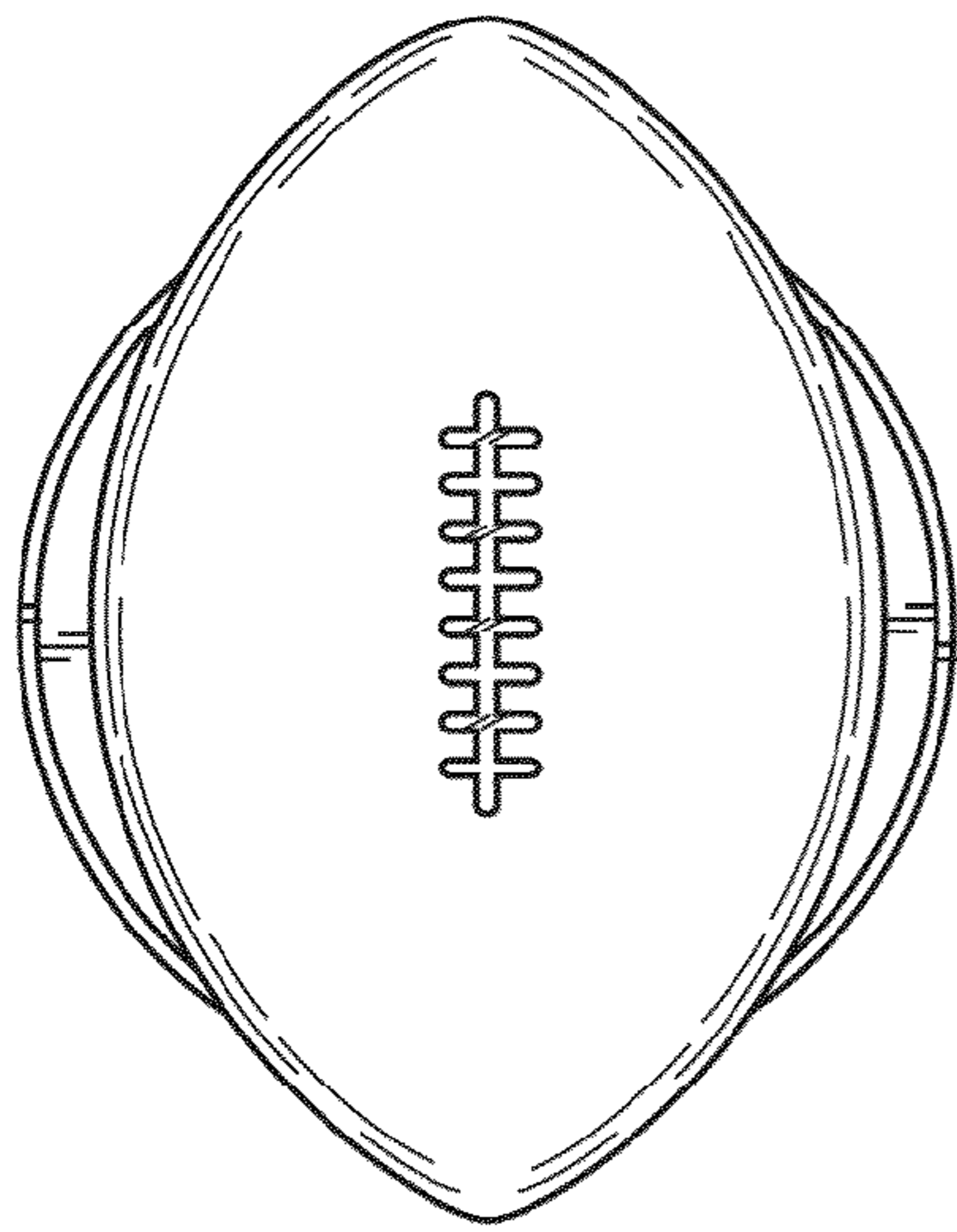


FIG. 3

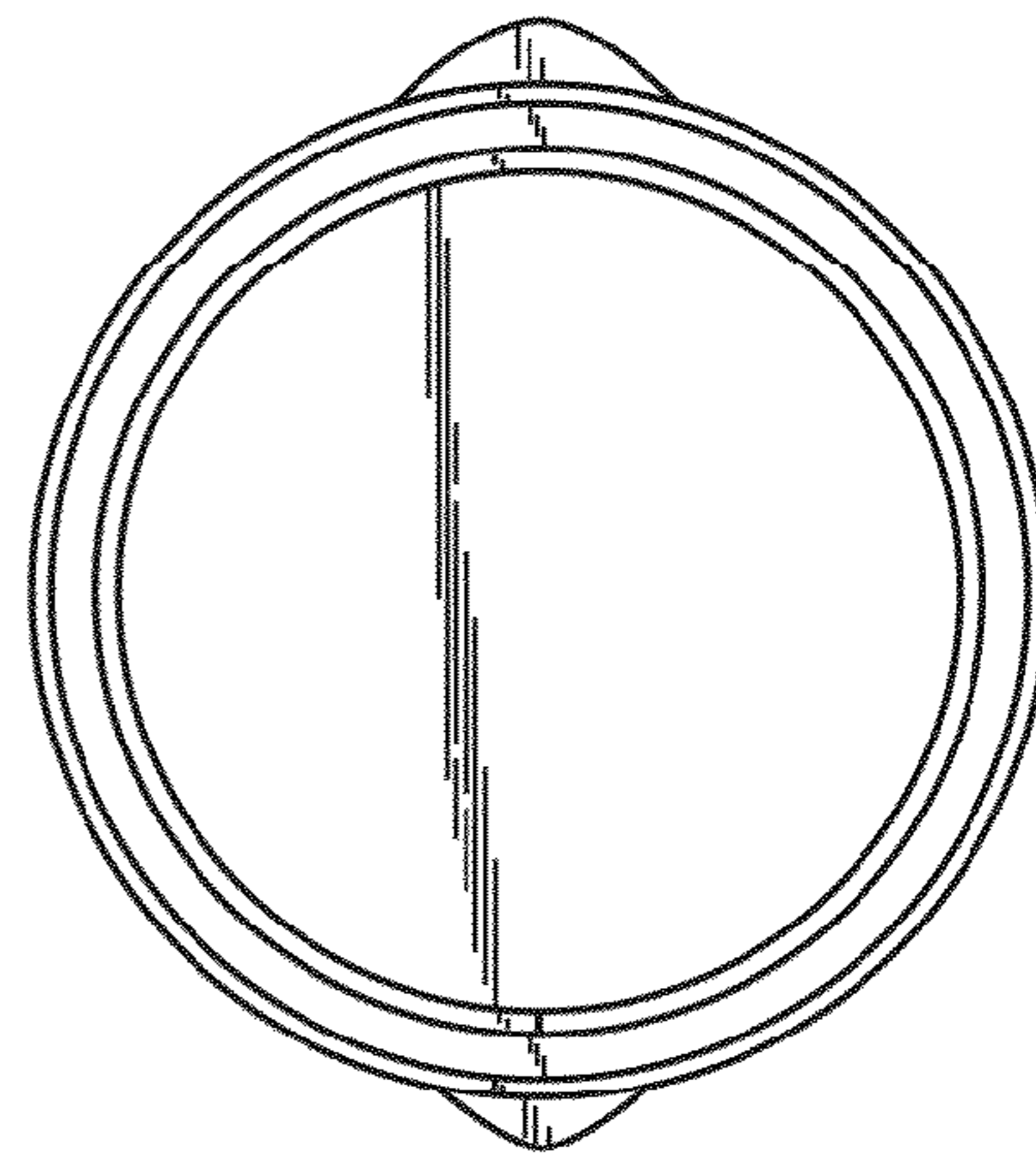


FIG. 4

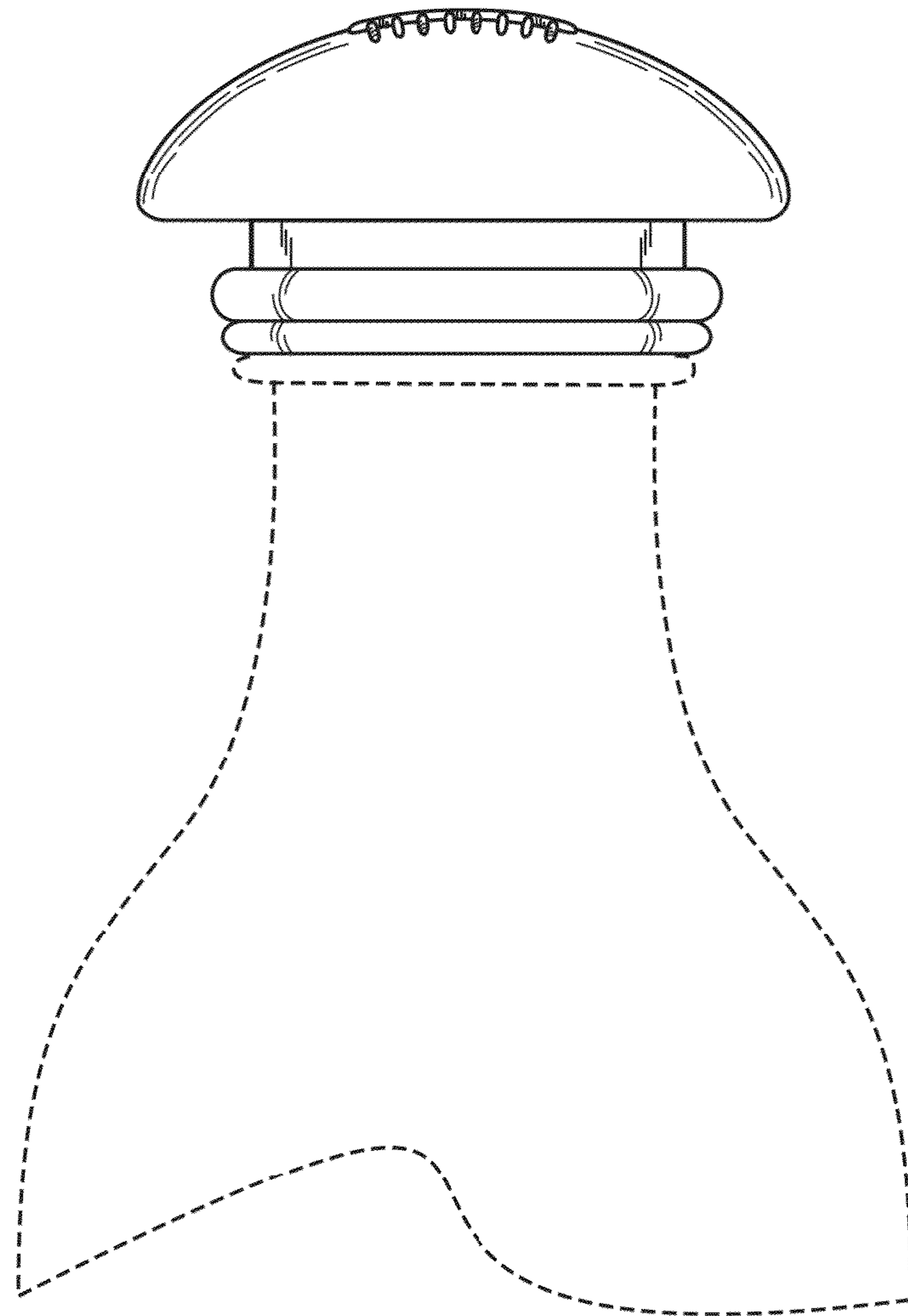


FIG. 5