



US00D734147S

(12) **United States Design Patent**
Kwak et al.

(10) **Patent No.:** **US D734,147 S**
(45) **Date of Patent:** **** Jul. 14, 2015**

(54) **PACKAGING BOX**

(71) Applicant: **Samsung Electronics Co., Ltd.**,
Suwon-si (KR)
(72) Inventors: **Ji-Hee Kwak**, Seoul (KR); **Il-Kyoung Kim**,
Suwon-si (KR); **Eun Ae Shally Lee**, Seoul (KR); **Da-Hee Heo**,
Yongin-si (KR)
(73) Assignee: **Samsung Electronics Co., Ltd.**,
Suwon-si (KR)
(**) Term: **14 Years**
(21) Appl. No.: **29/472,618**
(22) Filed: **Nov. 14, 2013**

(30) **Foreign Application Priority Data**
May 15, 2013 (KR) 30-2013-0025619
(51) **LOC (10) Cl.** **09-03**
(52) **U.S. Cl.**
USPC **D9/425**
(58) **Field of Classification Search**
USPC D9/414, 415, 416, 417, 419, 421, 424,
D9/425, 428, 429; D7/318, 319, 619.1,
D7/629; 229/400-406, 906.1;
220/656-659, 669-675, 912,
220/4.21-4.27; 206/553, 557, 541, 775,
206/776, 217
CPC A47J 36/06; A47J 47/14; B65D 1/34;
B65D 1/165; B65D 15/08; B65D 21/083;
B65D 21/0234; B65D 43/162; B65D 71/50;
B65D 77/24; B65D 81/3869; B65D
2543/00046; B65D 2543/00055; B65D
2543/00083; B65D 2543/00092; B65D
2543/00296

See application file for complete search history.

(56) **References Cited**

U.S. PATENT DOCUMENTS

| | | | | |
|--------------|------|---------|--------------------|----------|
| 4,113,095 | A * | 9/1978 | Dietz et al. | 206/508 |
| D284,727 | S * | 7/1986 | Gerber | D7/546 |
| D363,663 | S * | 10/1995 | Plater | D9/425 |
| D409,484 | S * | 5/1999 | Tasker | D9/423 |
| D439,159 | S * | 3/2001 | Chen | D9/425 |
| 6,196,404 | B1 * | 3/2001 | Chen | 220/4.21 |
| D448,288 | S * | 9/2001 | Zettle et al. | D9/425 |
| D466,808 | S * | 12/2002 | Liu et al. | D9/425 |
| D592,500 | S * | 5/2009 | Colacitti | D9/425 |
| D614,950 | S * | 5/2010 | Colacitti | D9/425 |
| D646,923 | S * | 10/2011 | Chhay | D7/391 |
| D668,950 | S * | 10/2012 | Sanfilippo | D9/425 |
| 2004/0007583 | A1 * | 1/2004 | Lin | 220/835 |

* cited by examiner

Primary Examiner — Karen S Acker
Assistant Examiner — Wendy Arminio
(74) *Attorney, Agent, or Firm* — NSIP Law

(57) **CLAIM**

The ornamental design for a packaging box, as shown and described.

DESCRIPTION

FIG. 1 is a top, front, and side perspective view of a packaging box showing our new design;
FIG. 2 is a front view thereof;
FIG. 3 is a rear view thereof;
FIG. 4 is a left-side view thereof;
FIG. 5 is a right-side view thereof;
FIG. 6 is a top view thereof; and,
FIG. 7 is a bottom view thereof.

1 Claim, 5 Drawing Sheets

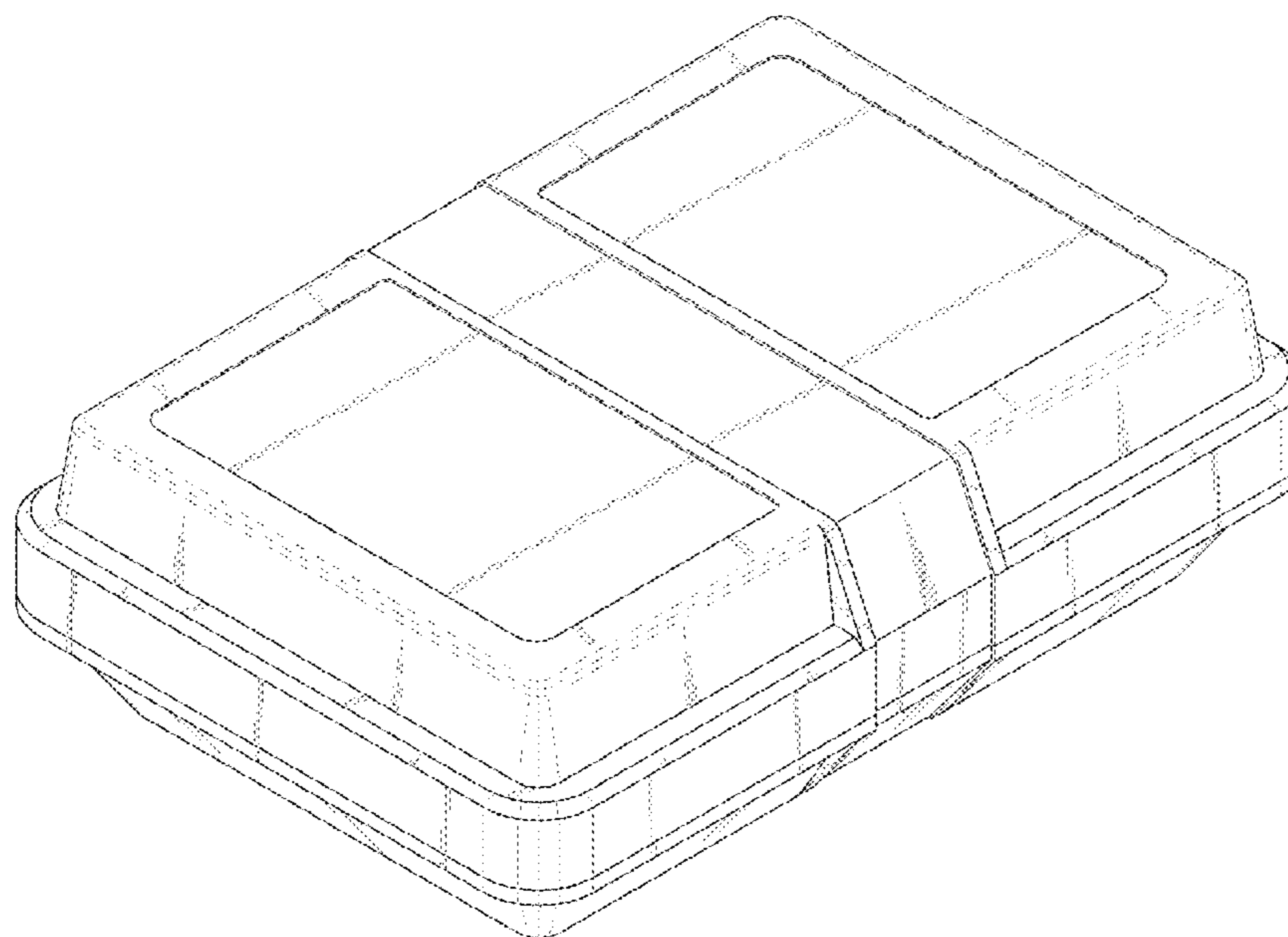


FIG. 1

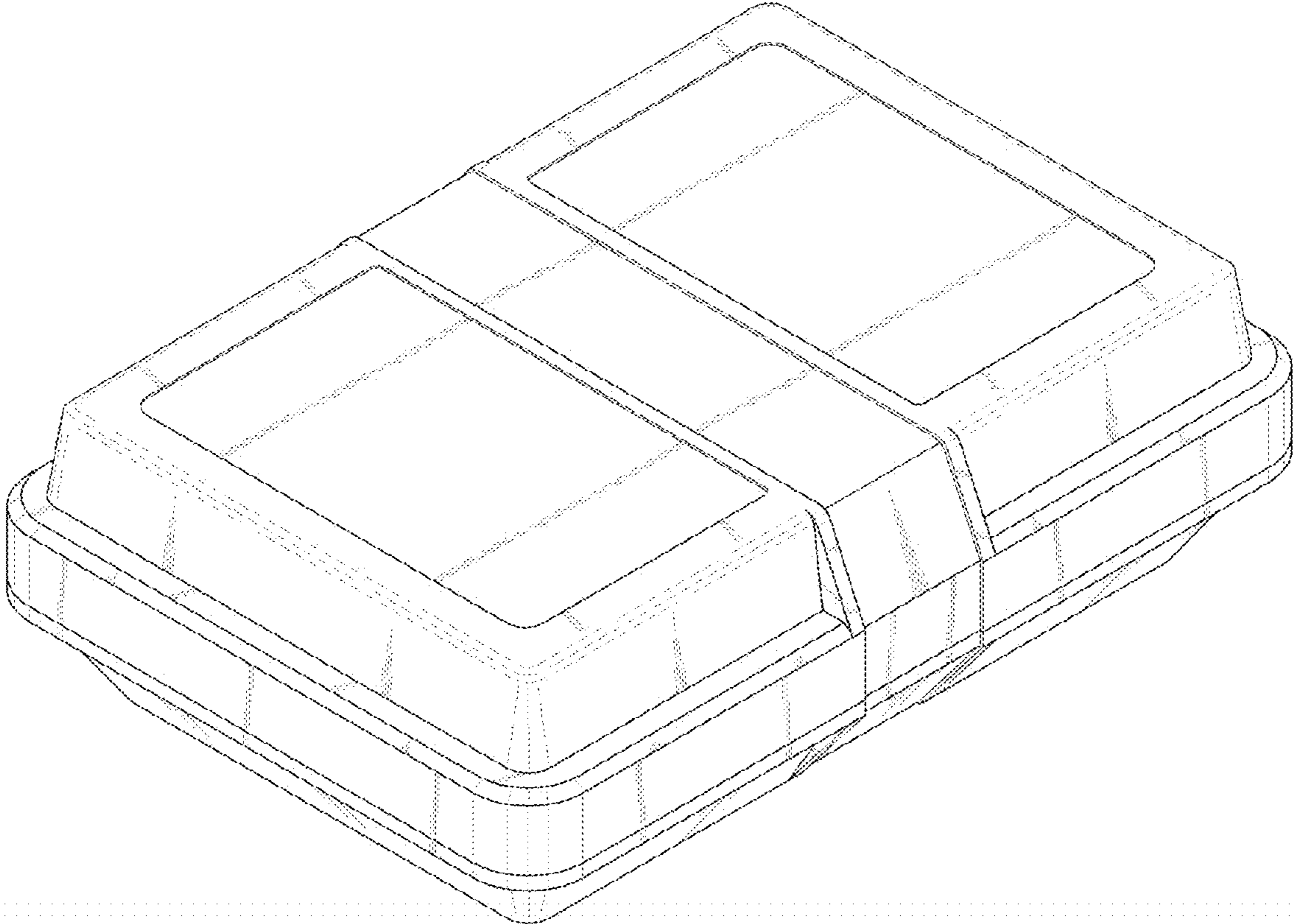


FIG.2

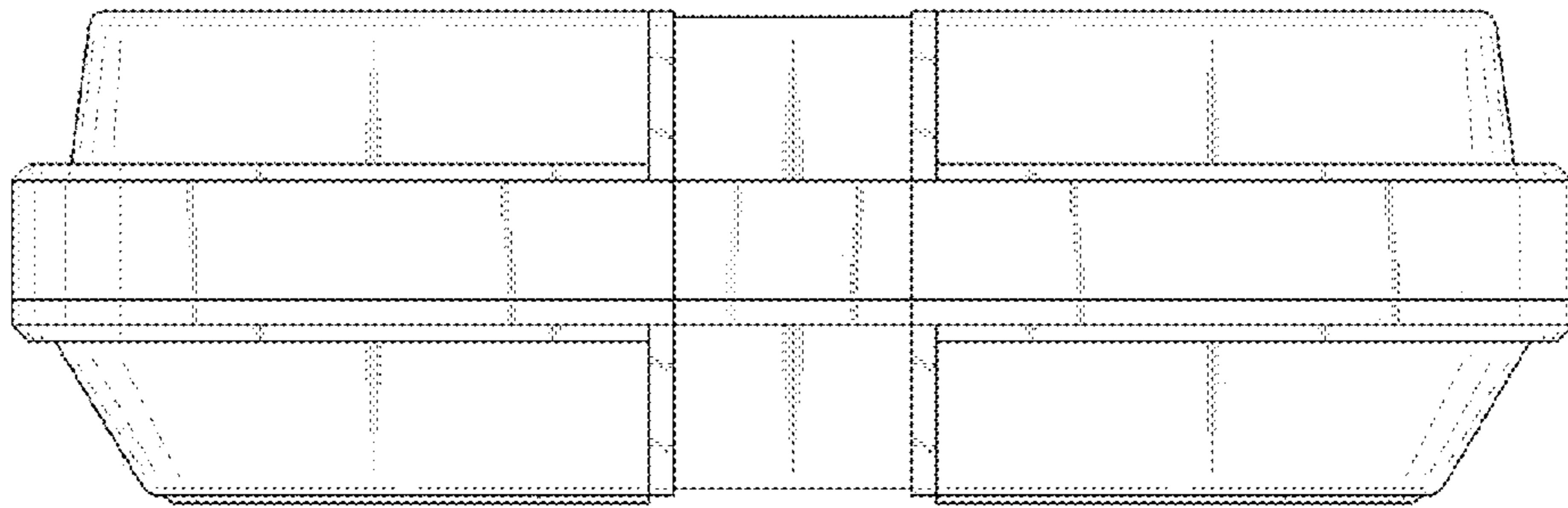


FIG.3

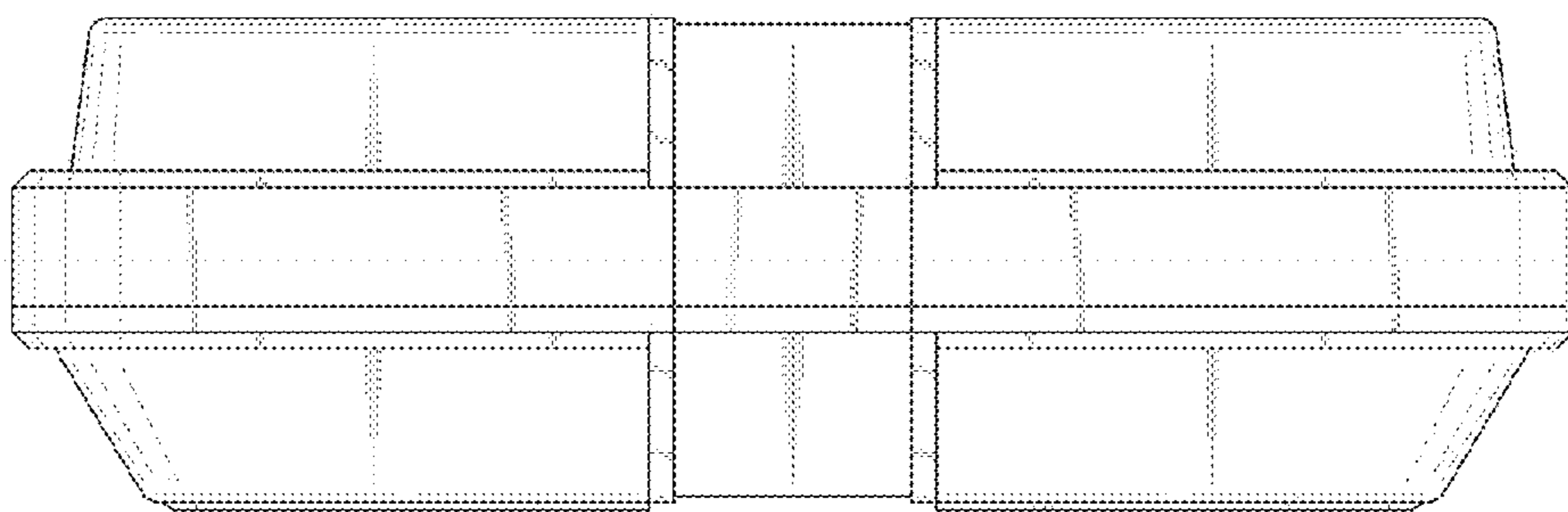


FIG.4

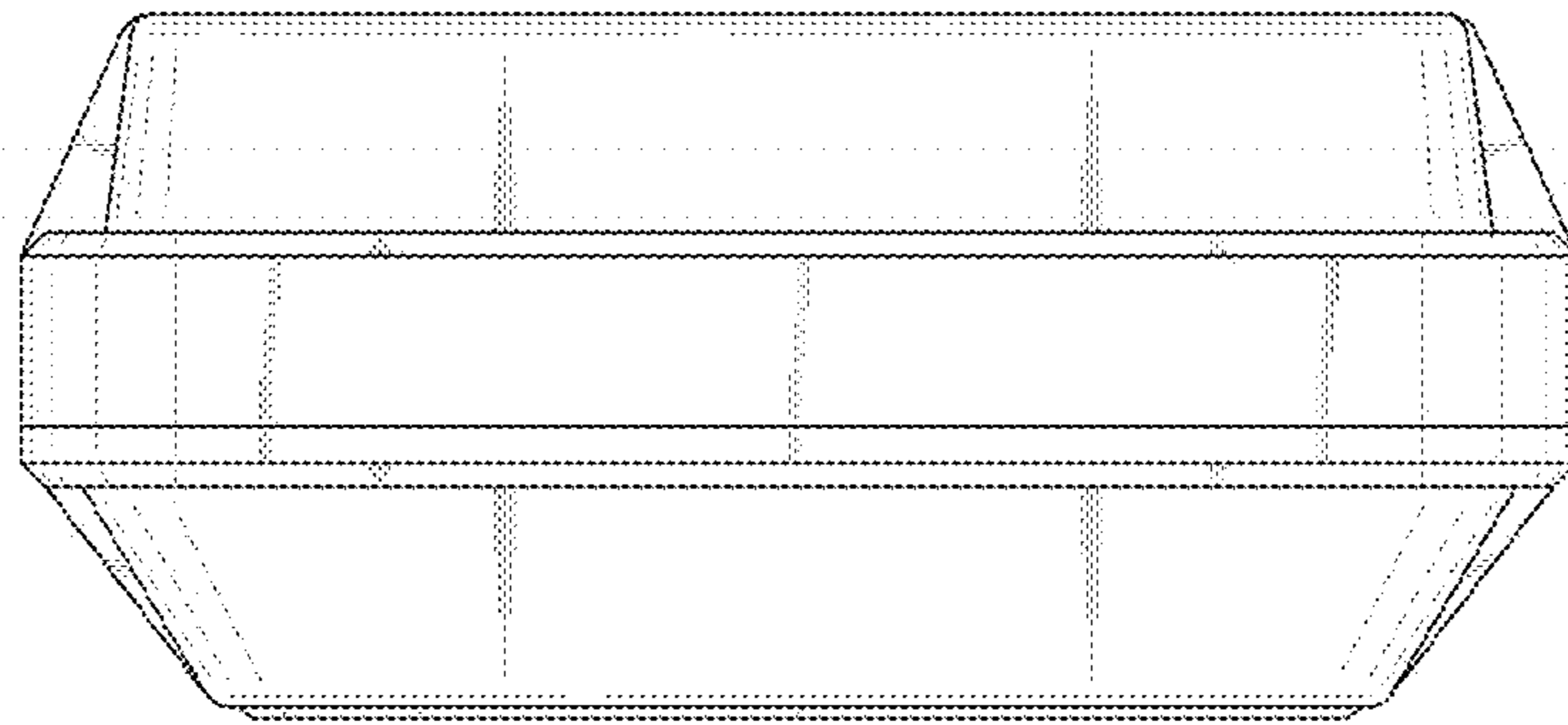


FIG.5

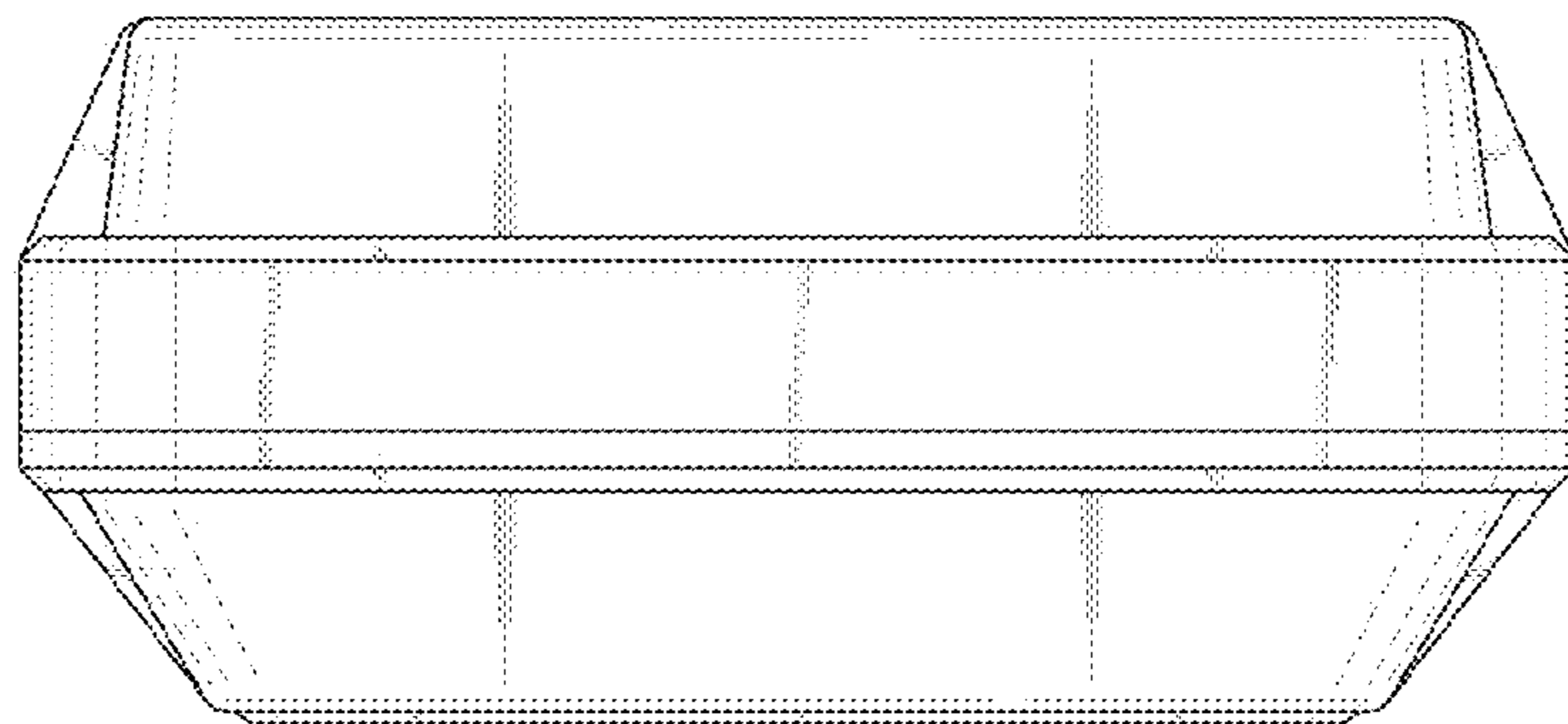


FIG.6

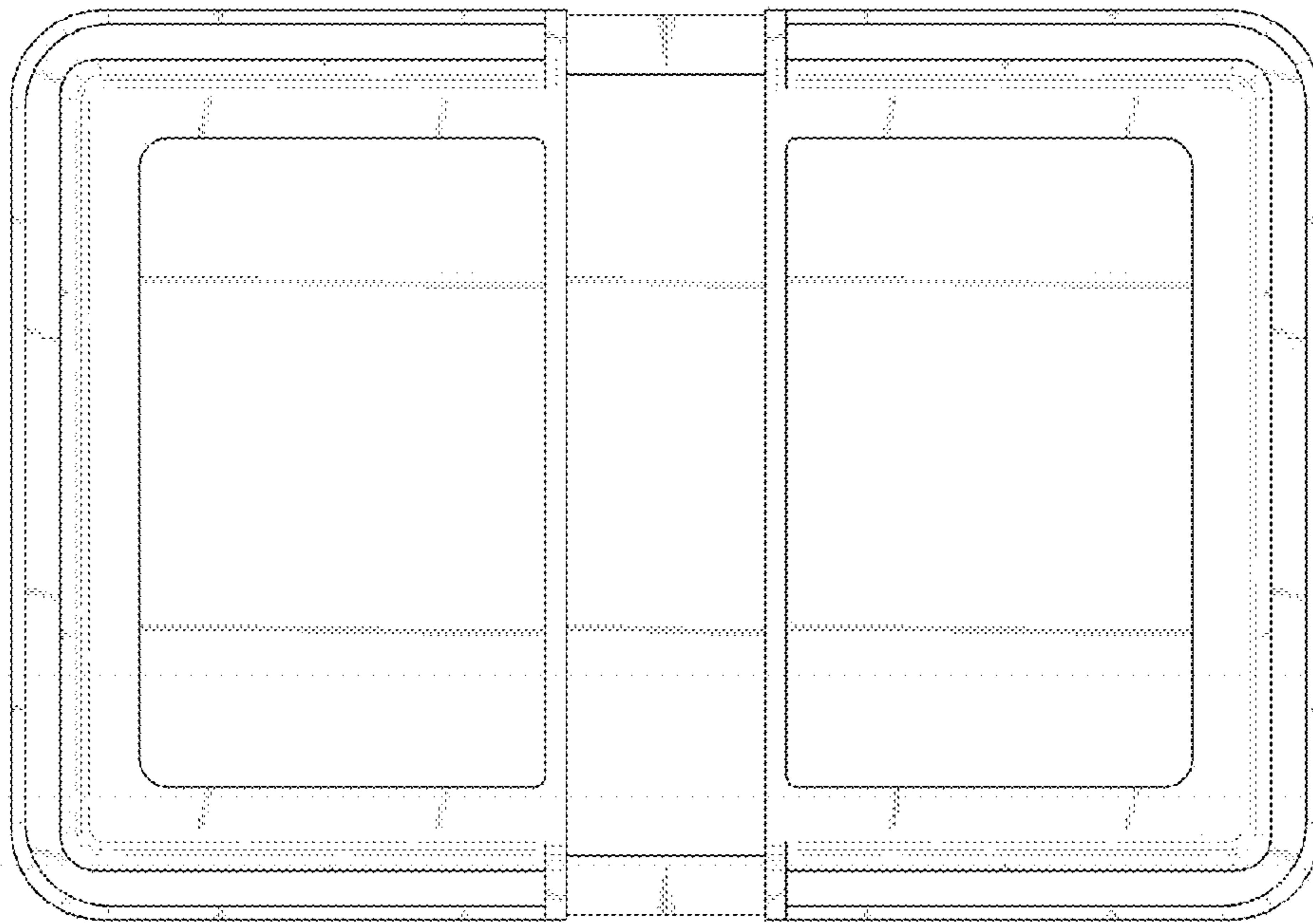


FIG.7

