



US00D734146S

(12) **United States Design Patent**
Fischer et al.

(10) **Patent No.:** **US D734,146 S**
(45) **Date of Patent:** **** Jul. 14, 2015**

(54) **PACKAGING CONTAINER**

(71) Applicant: **Gebr. Brasseler GmbH & Co. KG,**
Lemgo (DE)

(72) Inventors: **Daniel Fischer,** Lemgo (DE); **Christian**
Jonigkeit, Lemgo (DE)

(73) Assignee: **Gebr. Brasseler GmbH & Co. KG**
(DE)

(**) Term: **14 Years**

(21) Appl. No.: **29/466,232**

(22) Filed: **Sep. 5, 2013**

(30) **Foreign Application Priority Data**

Mar. 6, 2013 (EM) 002197038

(51) **LOC (10) Cl.** **09-03**

(52) **U.S. Cl.**
USPC **D9/424; D9/429**

(58) **Field of Classification Search**
USPC D9/414, 415, 418, 420-424, 425, 429,
D9/431, 432, 433, 435, 756, 757; 206/470,
206/459.1, 575, 461; 229/123.3, 406, 407
See application file for complete search history.

(56) **References Cited**

U.S. PATENT DOCUMENTS

RE31,571 E * 5/1984 Mann 206/443
D275,453 S * 9/1984 Bankier D9/415
D538,638 S * 3/2007 Dunshee D9/425

D605,530 S * 12/2009 Sorrentino et al. D9/756
D634,616 S * 3/2011 Hansen et al. D9/420
7,931,148 B2 * 4/2011 Hansen et al. 206/470
D653,539 S * 2/2012 Meyer et al. D9/435
D679,179 S * 4/2013 Ritter et al. D9/424
D696,937 S * 1/2014 Prater et al. D9/425
D703,551 S * 4/2014 Kirchmayr et al. D9/732
2004/0182733 A1 * 9/2004 Dunlap 206/459.1
2005/0269232 A1 * 12/2005 Eisenbraun 206/461
2006/0278561 A1 * 12/2006 Schierlmann 206/575

* cited by examiner

Primary Examiner — Philip S Hyder

Assistant Examiner — Keith Frank

(74) *Attorney, Agent, or Firm* — Timothy J. Klima;
Shuttleworth & Ingersoll, PLC

(57) **CLAIM**

The ornamental design for a packaging container, as shown.

DESCRIPTION

FIG. 1 is a perspective view of a packaging container from a first side in a partially open state;

FIG. 2 is a perspective view thereof, from the first side, in a closed state;

FIG. 3 is a perspective view thereof, from a second side, in a closed state;

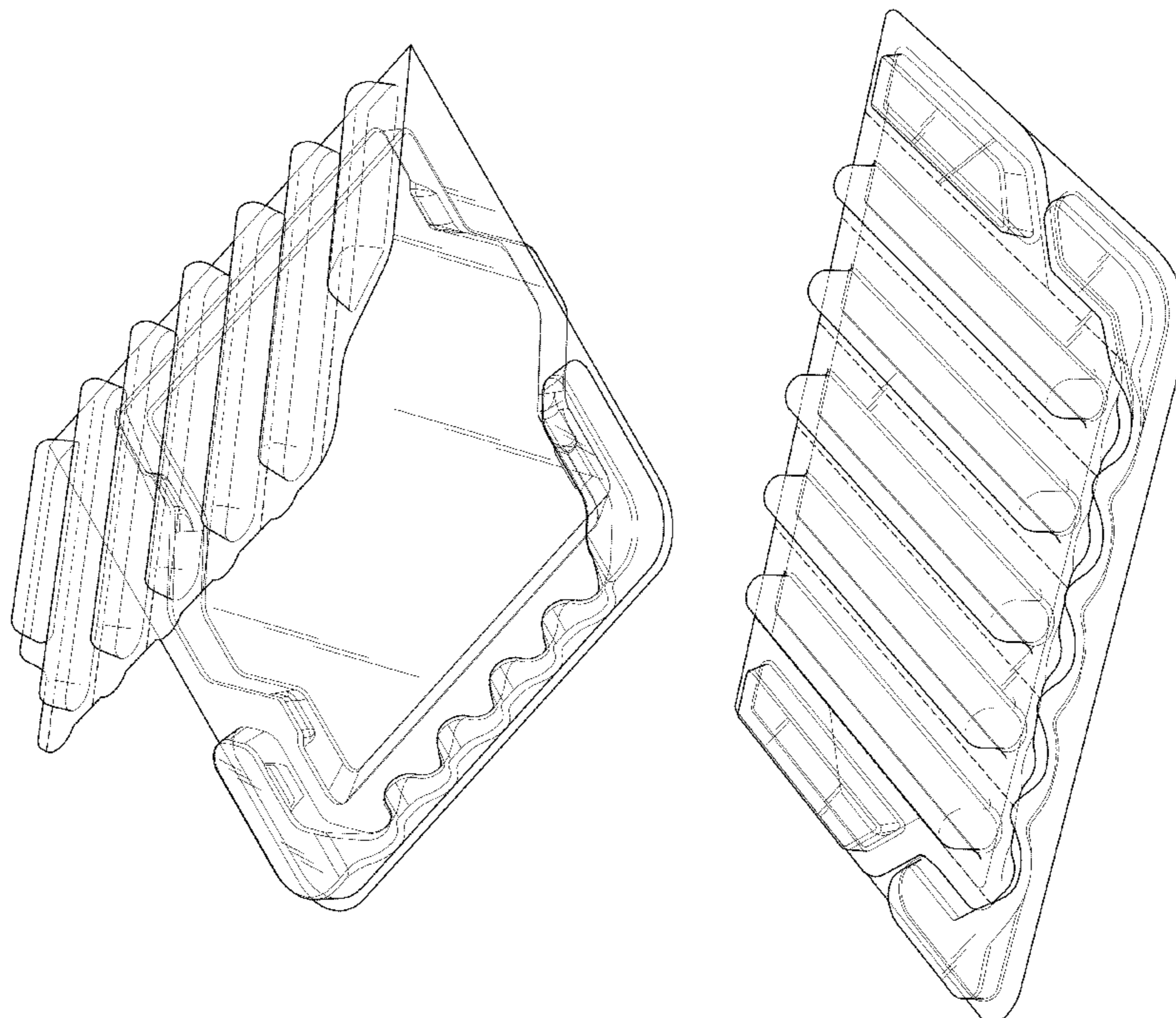
FIG. 4 is a plan view of an exterior thereof, in an open state;

FIG. 5 is a plan view of an interior thereof, in an open state;

FIG. 6 is a perspective view of an interior thereof, in an open state; and,

FIG. 7 is a perspective view of an exterior thereof, in an open state.
The broken lines in the figures represent perforations in the container, for separating portions of the container.

1 Claim, 7 Drawing Sheets



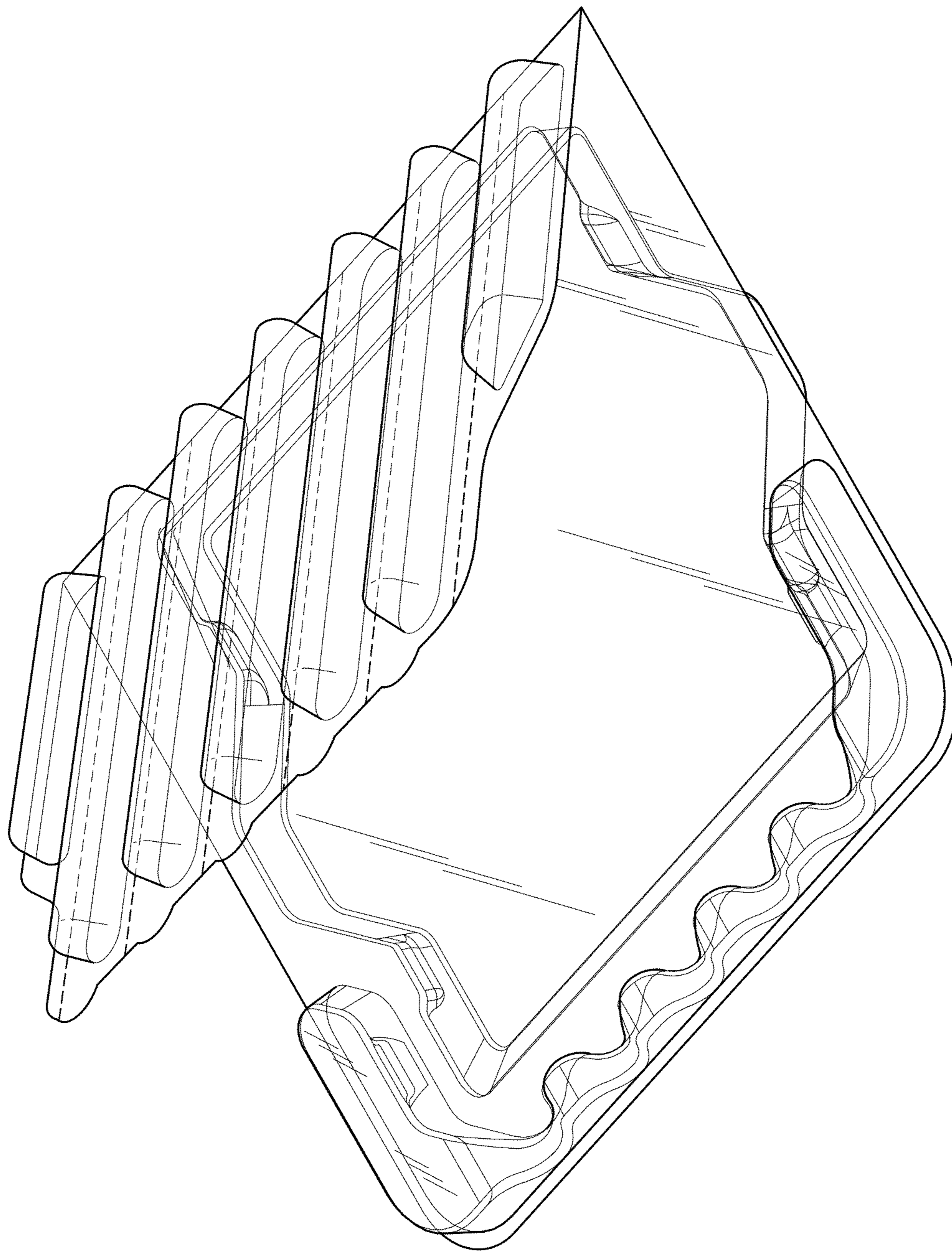


FIG. 1

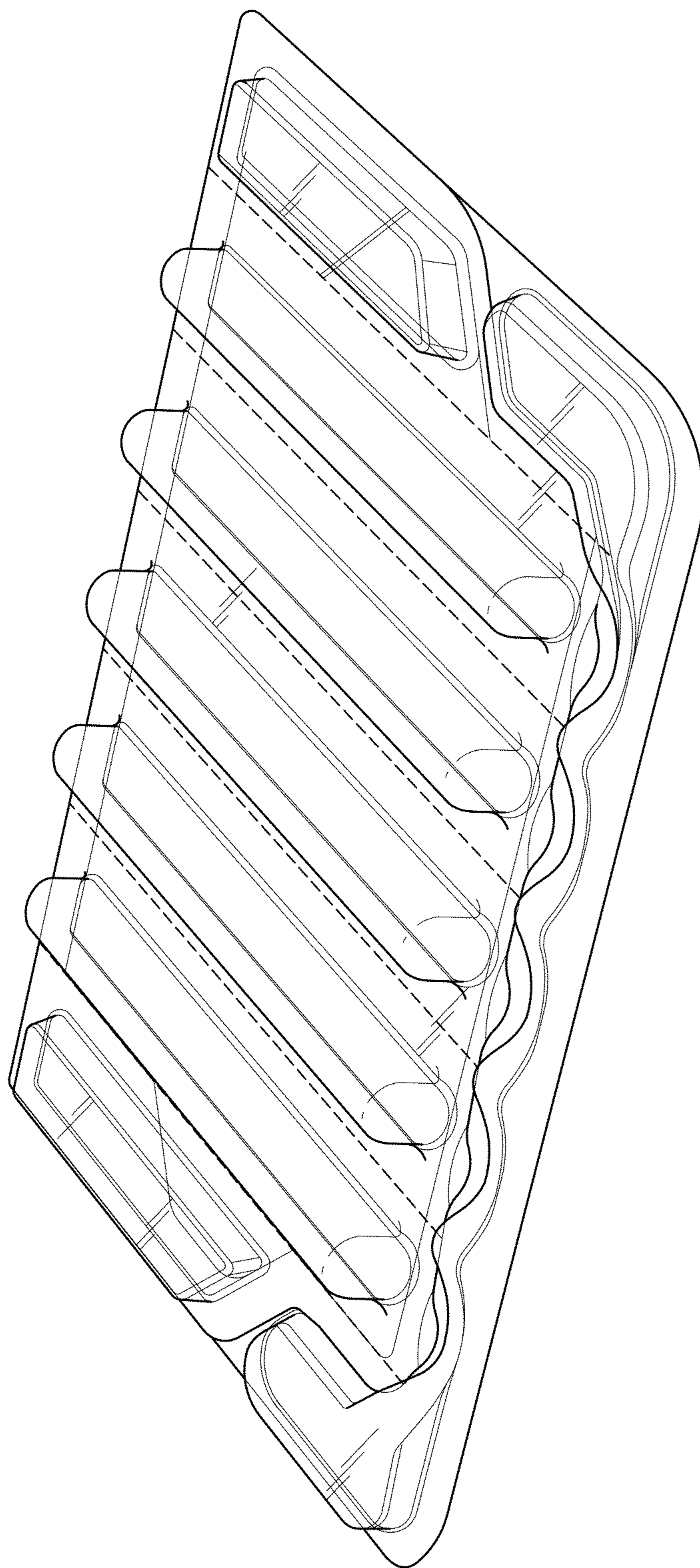


FIG. 2

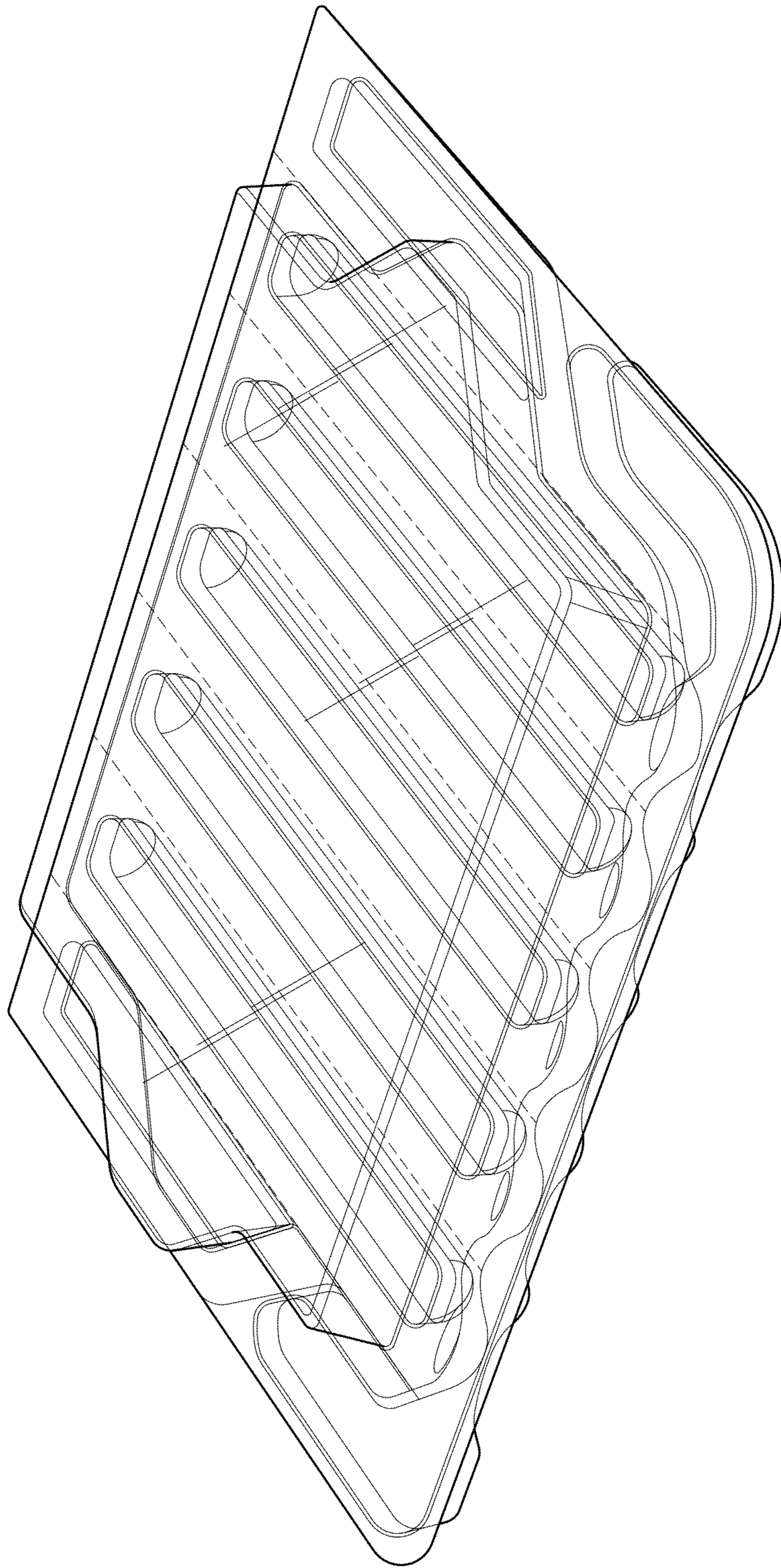


FIG. 3

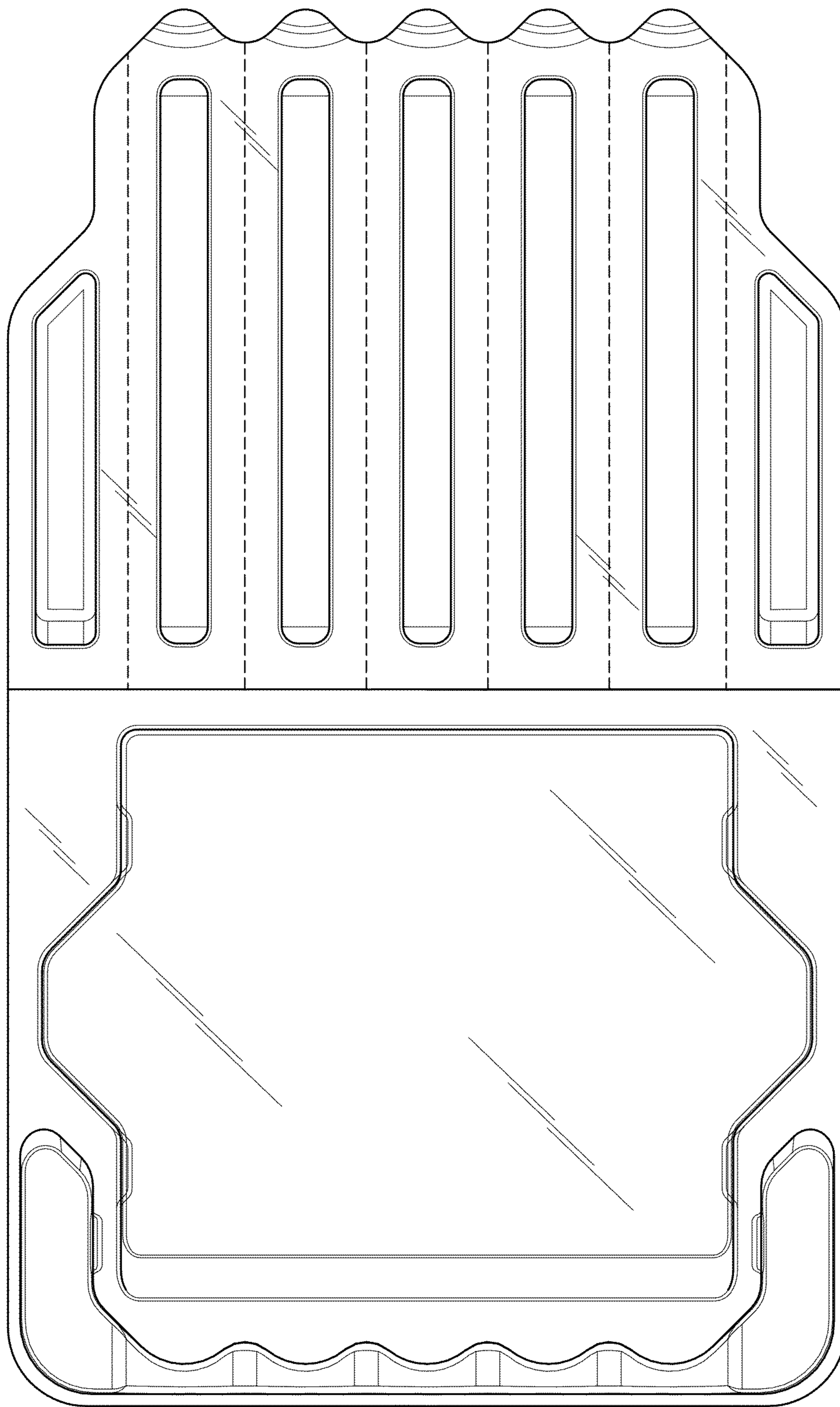


FIG. 4

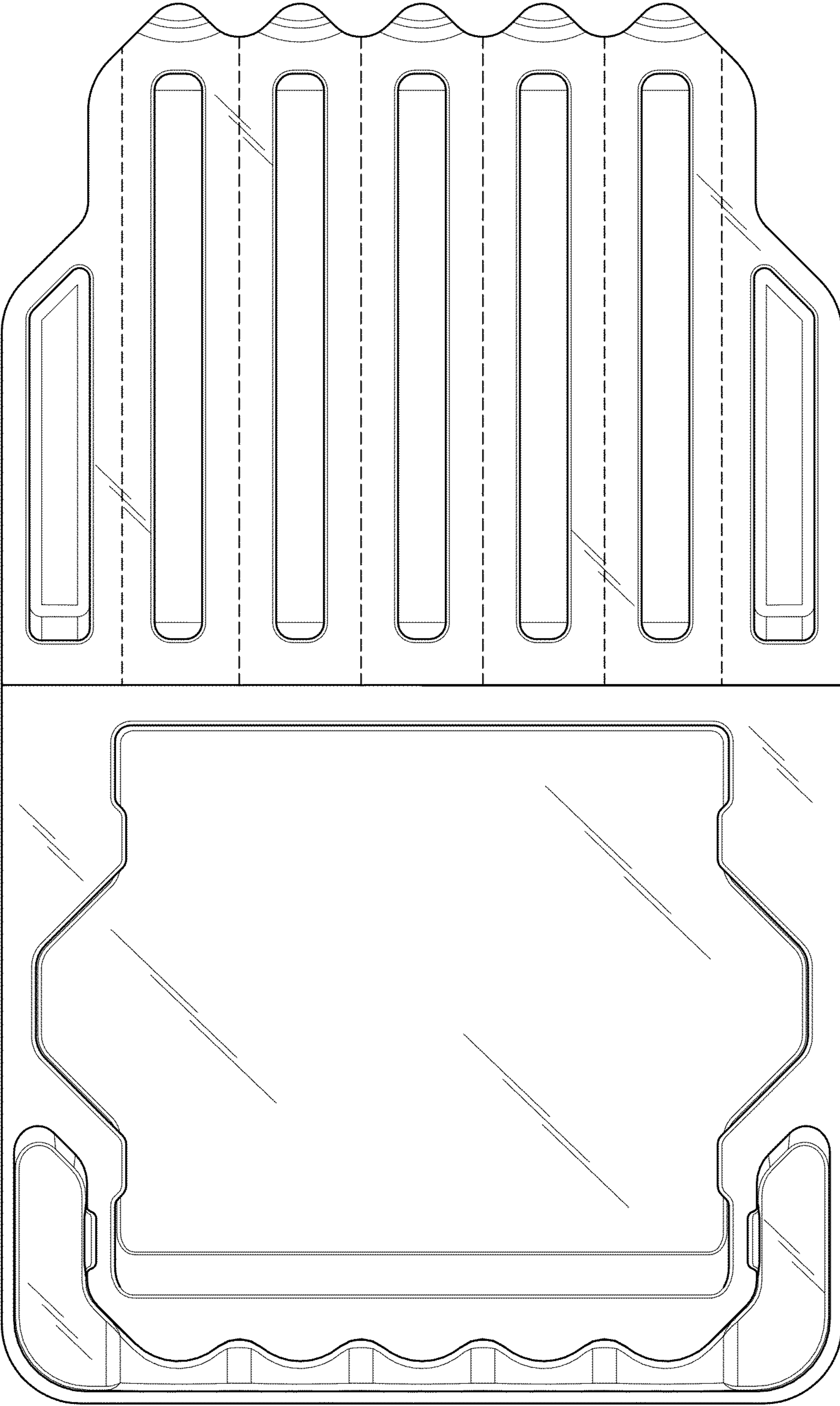


FIG. 5

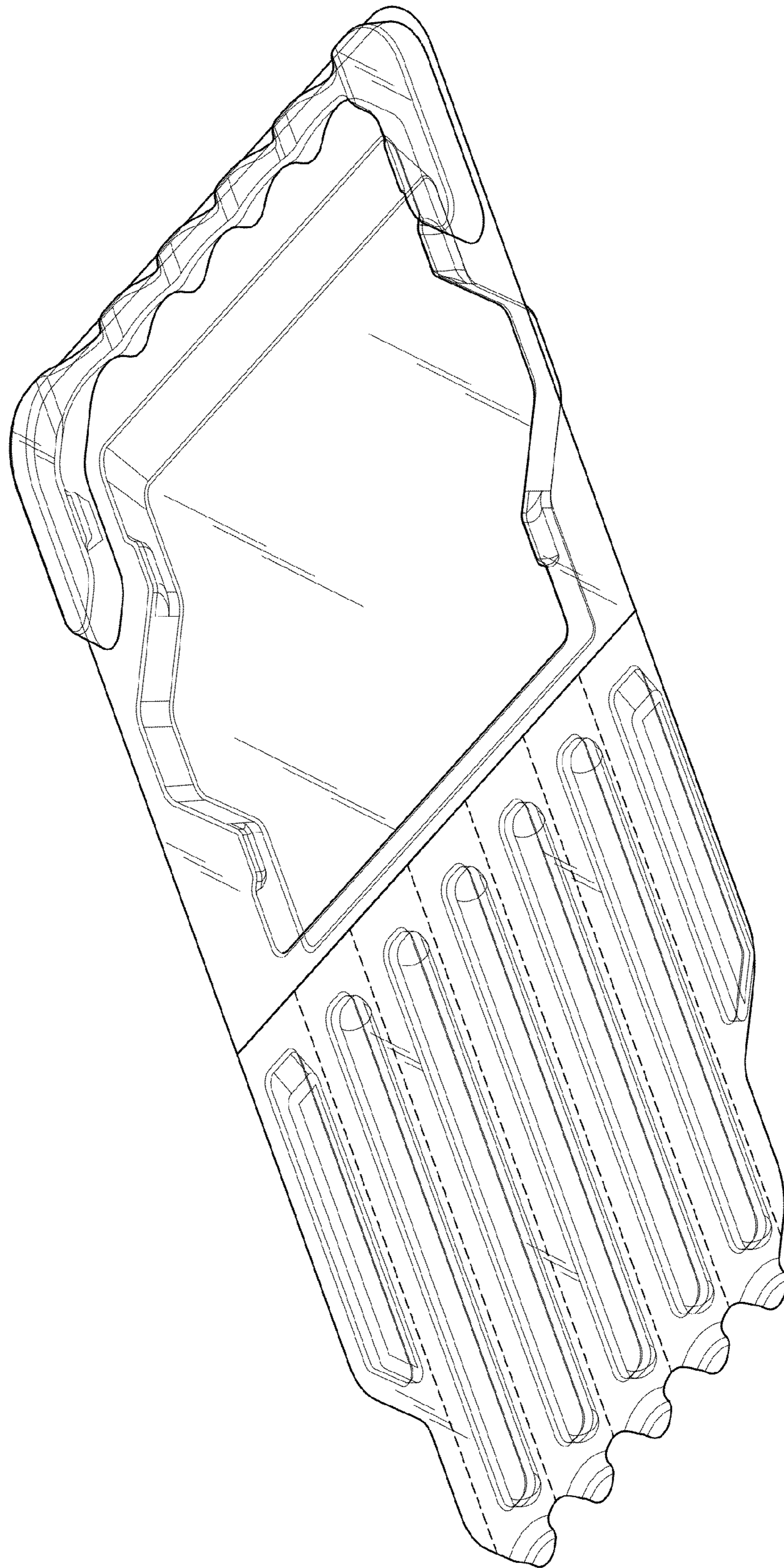


FIG. 6

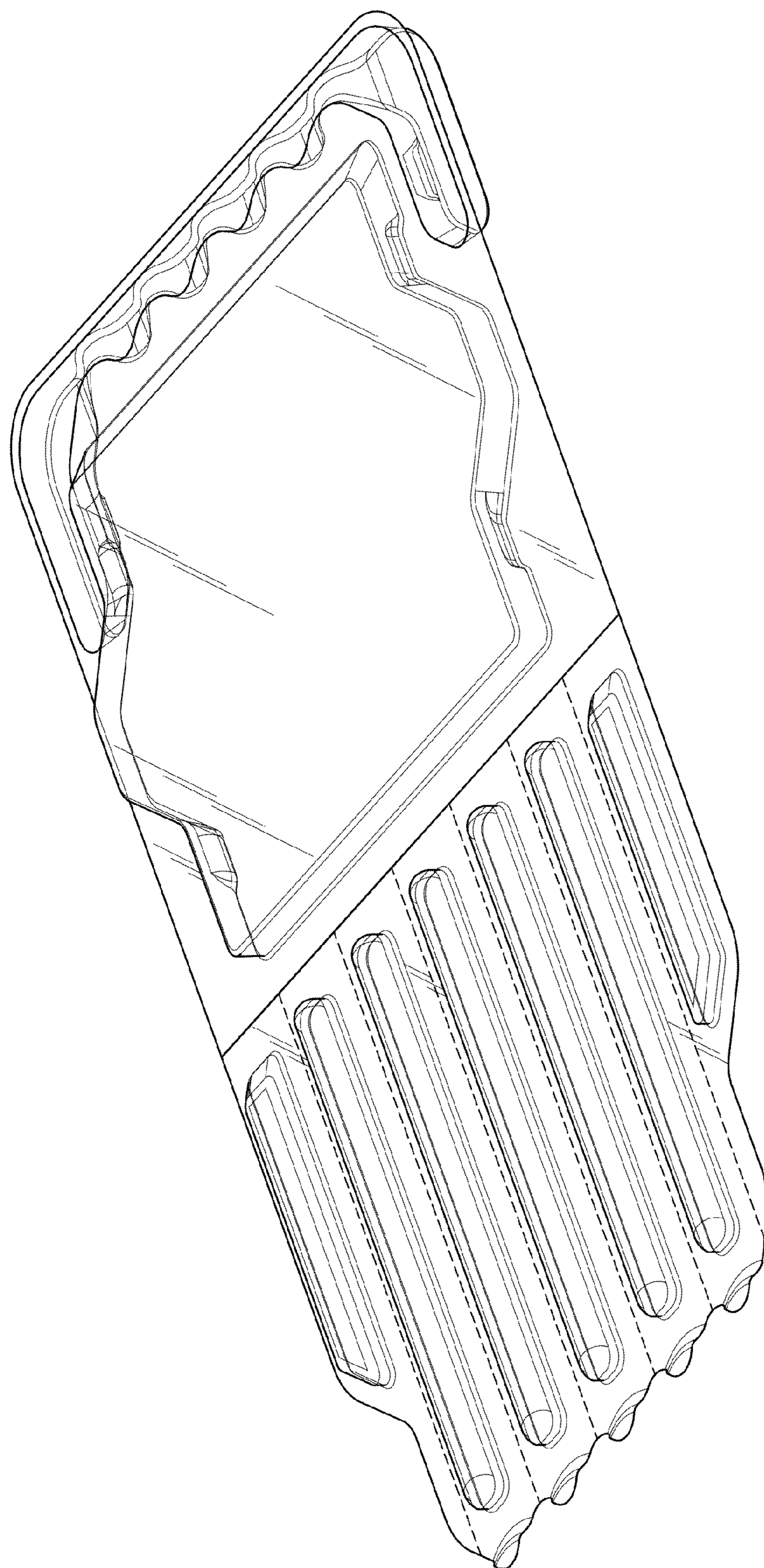


FIG. 7