



US00D734139S

(12) **United States Design Patent**
Miura

(10) **Patent No.:** **US D734,139 S**
(45) **Date of Patent:** **** Jul. 14, 2015**

(54) **STUD**

(71) Applicant: **NEWFREY LLC**, Newark, DE (US)

(72) Inventor: **Daisuke Miura**, Toyohashi (JP)

(73) Assignee: **NEWFREY LLC**, Newark, DE (US)

(**) Term: **14 Years**

(21) Appl. No.: **29/465,699**

(22) Filed: **Aug. 30, 2013**

(30) **Foreign Application Priority Data**

Mar. 1, 2013 (JP) 2013-004469

(51) **LOC (10) Cl.** **08-08**

(52) **U.S. Cl.**
USPC **D8/391**

(58) **Field of Classification Search**

USPC D8/349, 354–355, 380, 382–383, 386,
D8/388, 391, 394; D13/155, 102, 118,
D13/154, 184, 199; D25/119, 123, 124,
D25/125; D21/484, 500, 504

CPC F24J 2/07; F24J 2/14; F24J 2/541;
F24J 2/542; F24J 2/38; Y02E 10/47; Y02E
10/45; Y02E 10/50; Y02E 10/60; Y02E
10/52; E04H 9/022; E04H 9/021; E02D
27/34; E04B 1/98; H01L 35/00; H01L
31/0522; H01L 35/08; H01L 31/052; H01L
31/042; H01L 31/05; H01L 27/1423; H01L
31/048; H01L 31/045; H01L 31/055; B64G
1/443; B64G 1/222; B60G 2202/143

See application file for complete search history.

(56) **References Cited**

U.S. PATENT DOCUMENTS

D58,666	S	*	8/1921	Eustis	D8/387
D139,216	S	*	10/1944	Spanholtz	D8/391
3,463,045	A	*	8/1969	Prescott	411/387.8
D218,674	S	*	9/1970	Ernest	D8/387
D232,519	S	*	8/1974	Saisho	D8/386
D347,381	S	*	5/1994	Carruthers	D8/382
D376,713	S	*	12/1996	Kelso	D6/709.18
D488,704	S	*	4/2004	Mercier	D8/354
D590,704	S	*	4/2009	Brunsteter	D8/387
D699,554	S	*	2/2014	David	D8/387
D710,682	S	*	8/2014	Rose	D8/388
D728,098	S	*	4/2015	Schad et al.	D24/146
2008/0100034	A1	*	5/2008	Maillet	280/515

* cited by examiner

Primary Examiner — Karen E Kearney

Assistant Examiner — Nathaniel D Buckner

(74) *Attorney, Agent, or Firm* — Michael P. Leary

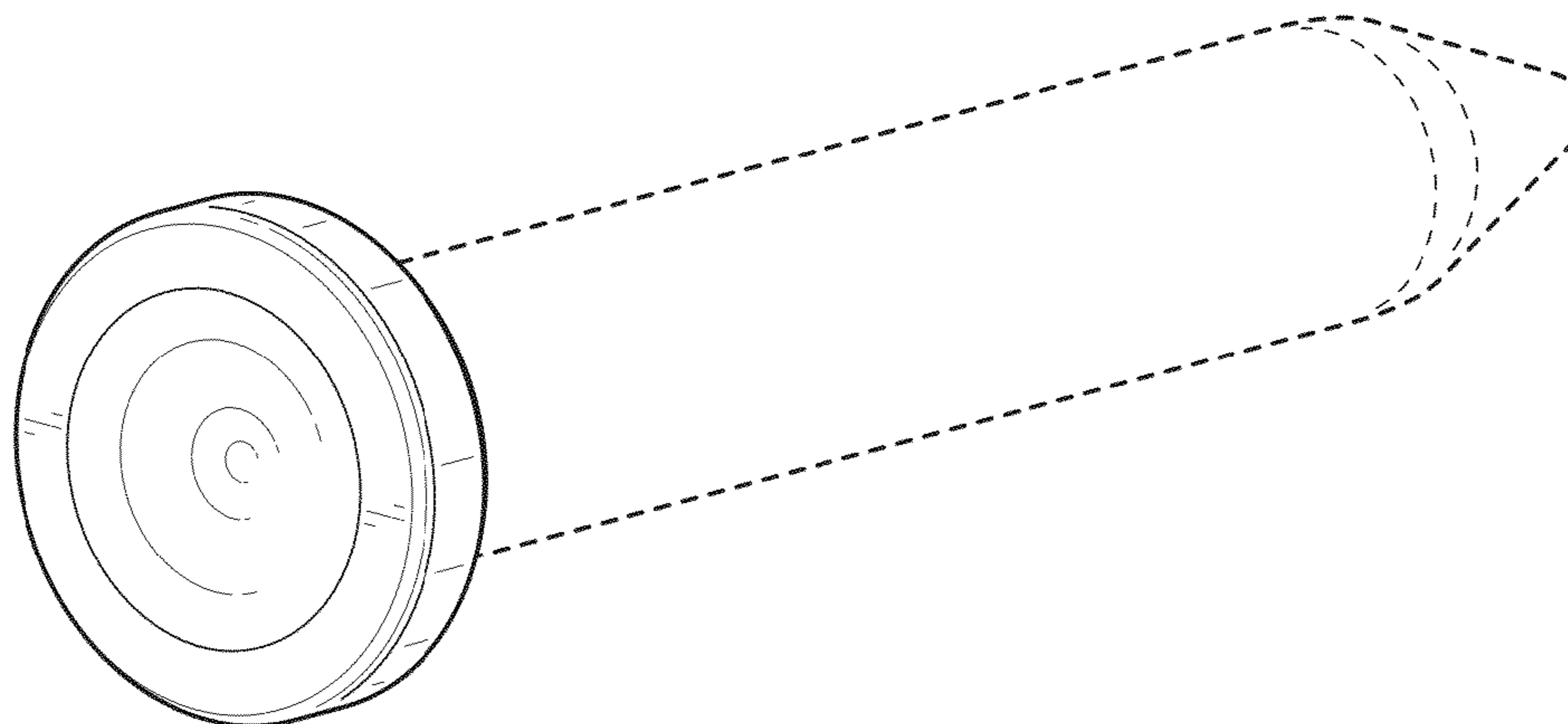
(57) **CLAIM**

The ornamental design for a stud, as shown and described.

DESCRIPTION

FIG. 1 is a perspective view of a stud showing my new design;
FIG. 2 is a side view thereof;
FIG. 3 is a front view thereof;
FIG. 4 is a rear view thereof; and,
FIG. 5 is a cross-sectional view taken along line 5-5 of FIG. 4.
The broken lines present in the figures are included for the
purpose of illustrating portions of the article that form no part
of the claimed design.

1 Claim, 2 Drawing Sheets



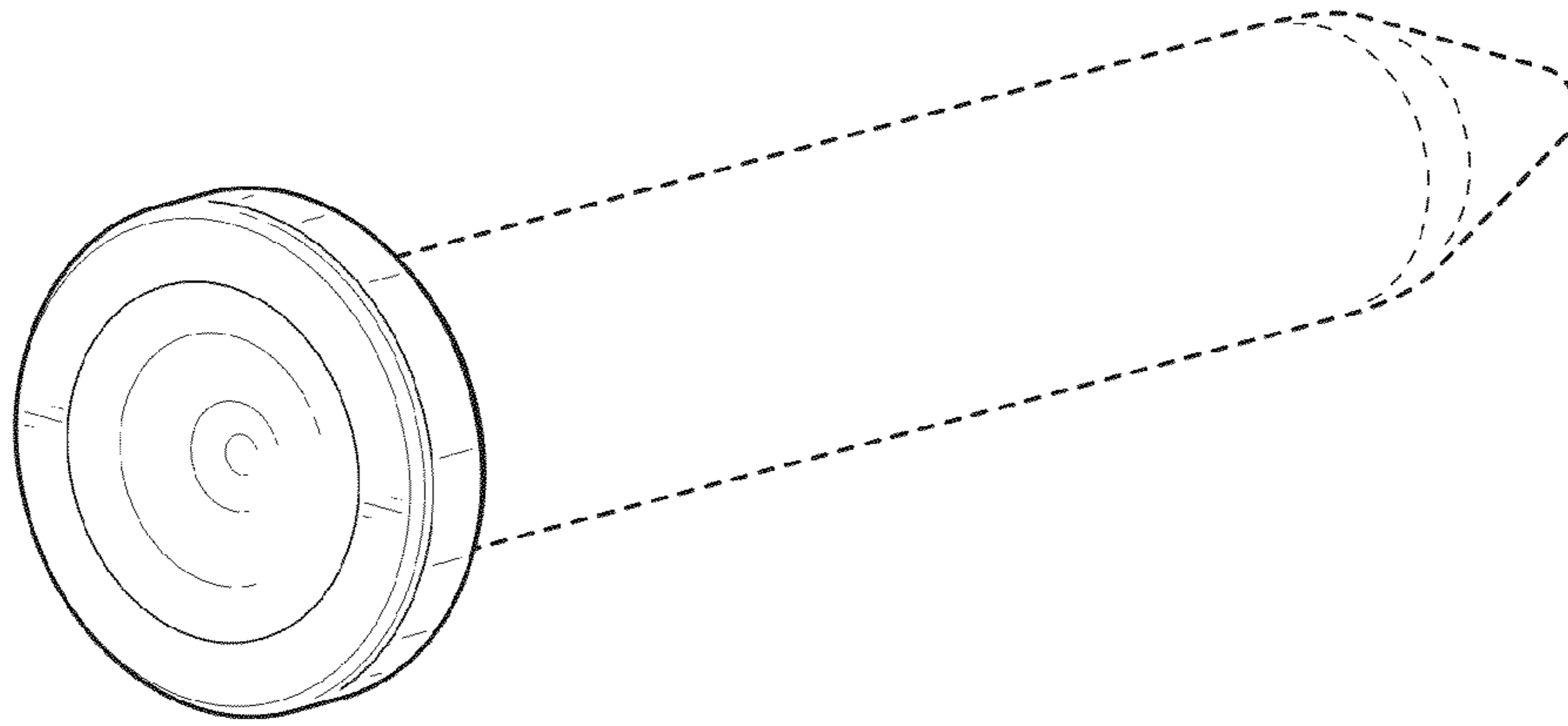


FIG. 1



FIG. 2

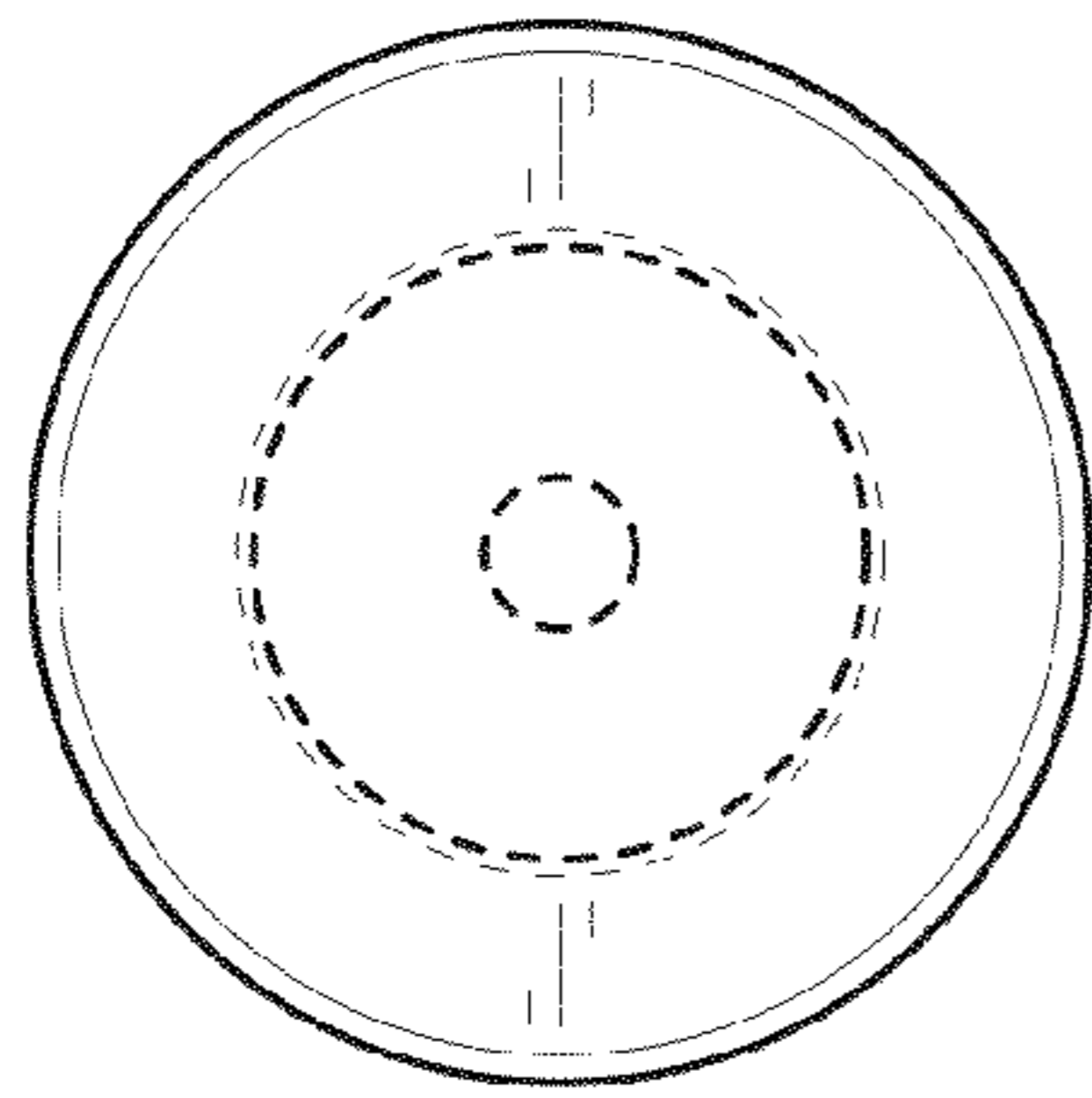


FIG. 3

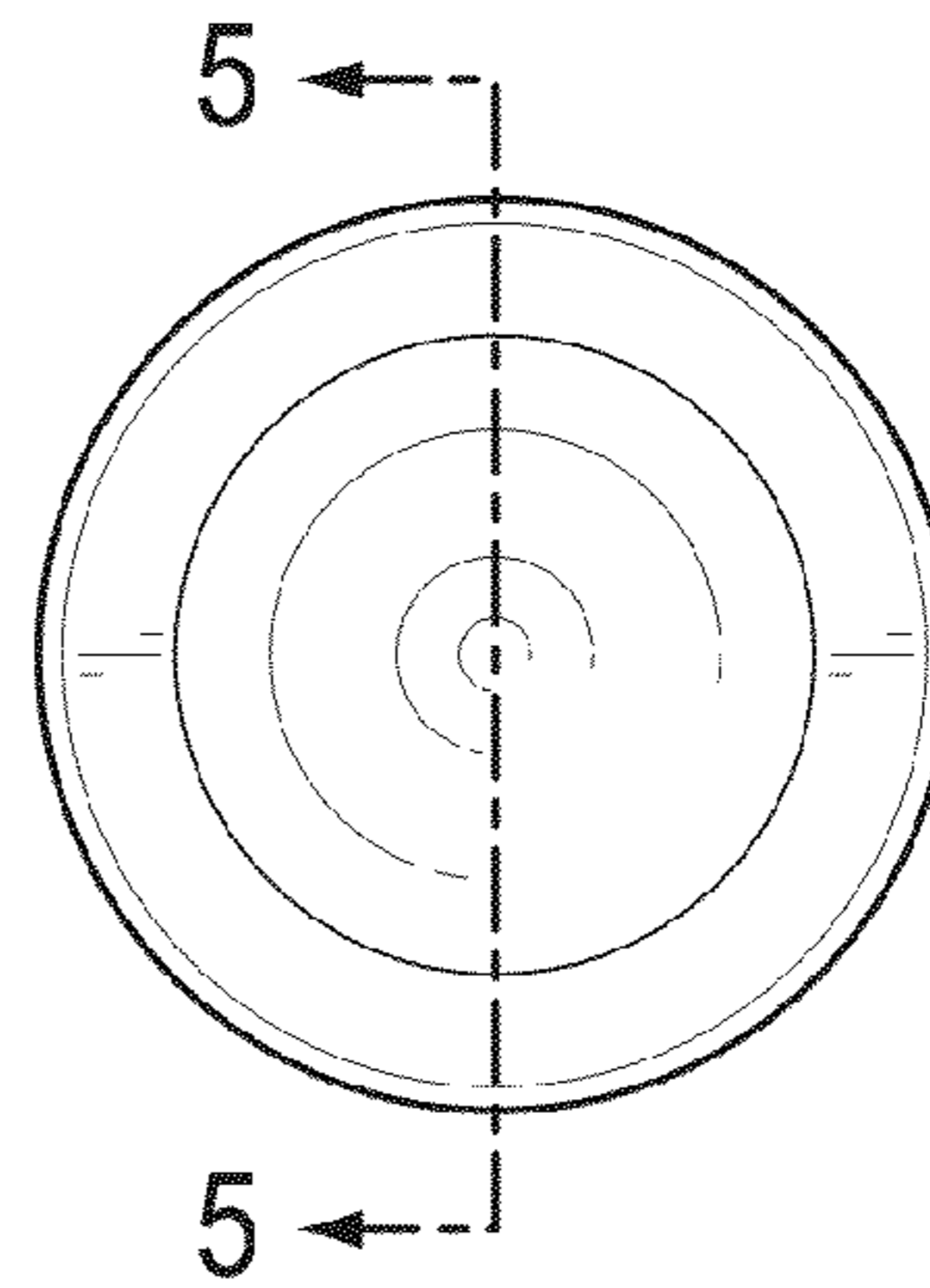


FIG. 4

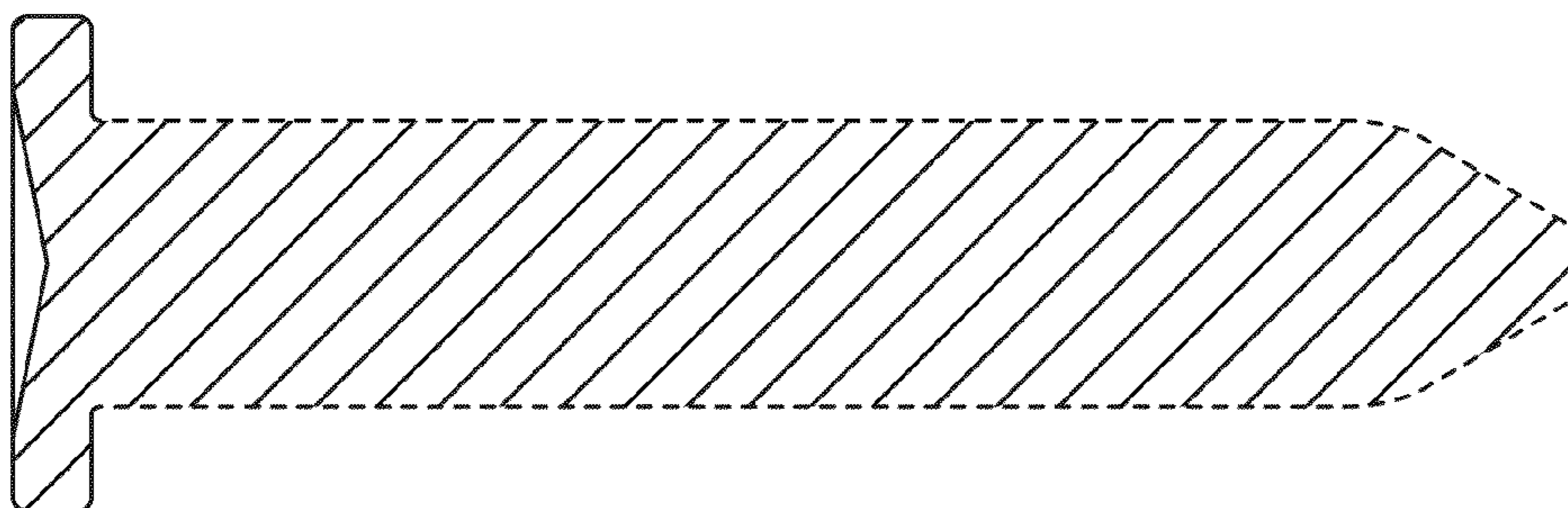


FIG. 5