



US00D734137S

(12) **United States Design Patent**
McShane

(10) **Patent No.:** **US D734,137 S**
(45) **Date of Patent:** **** *Jul. 14, 2015**

- (54) **SHEET PILE CONNECTOR**
- (71) Applicant: **PilePro LLC**, Austin, TX (US)
- (72) Inventor: **Gerry McShane**, Bernardsville, NJ (US)
- (73) Assignee: **PilePro LLC**, Austin, TX (US)

D527,619	S	*	9/2006	Heindl et al.	D8/382
D530,190	S	*	10/2006	Wall	D8/382
D542,633	S	*	5/2007	Heindl	D8/382
D543,841	S	*	6/2007	Heindl et al.	D8/382
D640,533	S	*	6/2011	Austro	D8/382
7,955,029	B2	*	6/2011	Heindl	405/274
D649,443	S	*	11/2011	Heindl	D8/382
8,066,453	B2	*	11/2011	Heindl	405/274

(*) Notice: This patent is subject to a terminal disclaimer.

(**) Term: **14 Years**

(21) Appl. No.: **29/493,469**

(22) Filed: **Jun. 10, 2014**

(30) **Foreign Application Priority Data**

Dec. 13, 2013 (EM) 001393391-0003

(51) **LOC (10) Cl.** **08-08**

(52) **U.S. Cl.**
USPC **D8/382**

(58) **Field of Classification Search**
USPC D8/382, 394-395; D25/121, 119, 61;
405/274, 277, 278-279; 24/370, 346,
24/573.09

See application file for complete search history.

(56) **References Cited**

U.S. PATENT DOCUMENTS

D471,793	S	*	3/2003	Wall	D8/382
D471,794	S	*	3/2003	Wall	D8/382

FOREIGN PATENT DOCUMENTS

JP 1365137 7/2009

* cited by examiner

Primary Examiner — Sheryl Lane

(74) *Attorney, Agent, or Firm* — Merchant & Gould P.C.

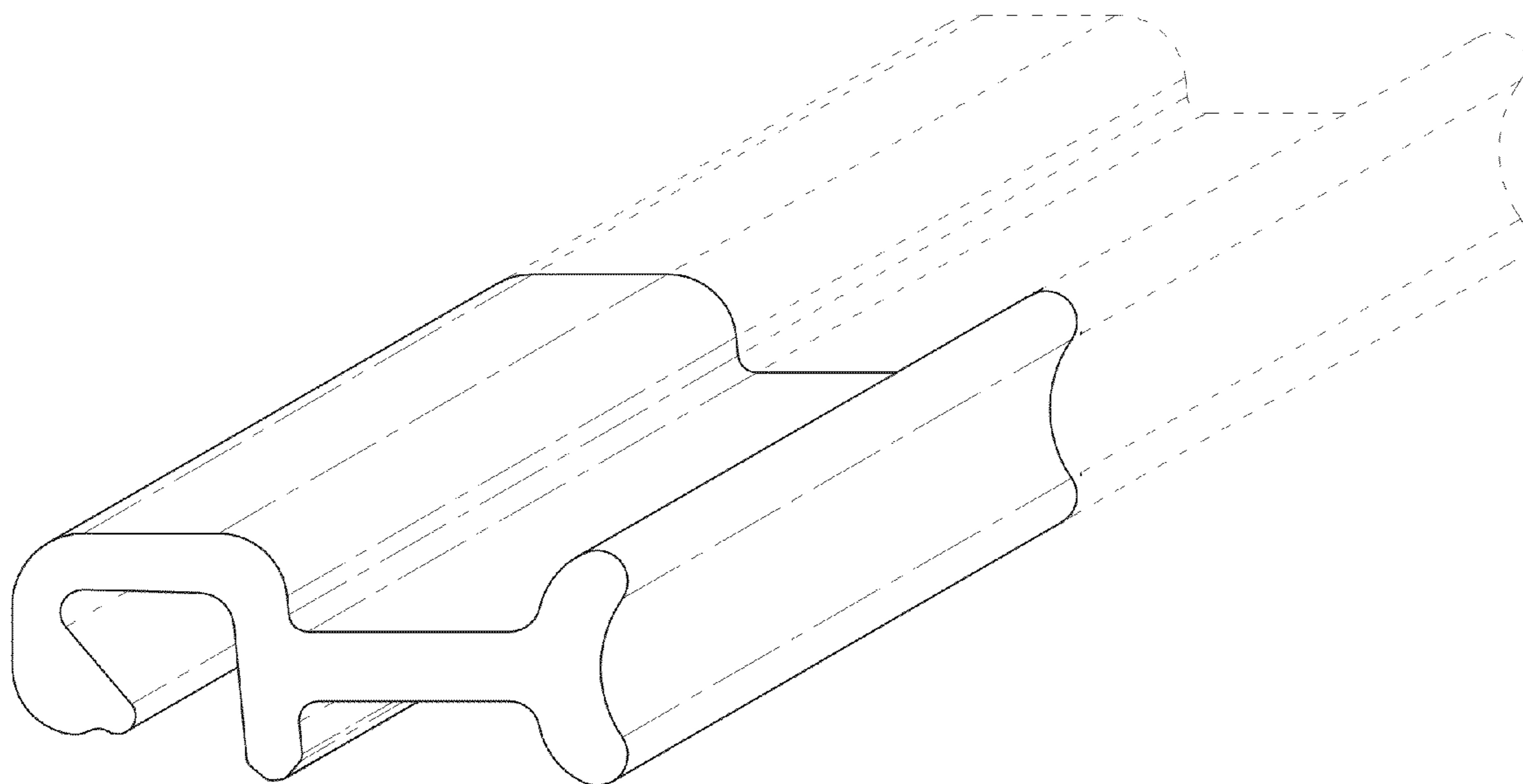
(57) **CLAIM**

The ornamental design for a sheet pile connector, as shown and described.

DESCRIPTION

FIG. 1 is a perspective view of the sheet pile connector for connecting sheet piles according to my design;
 FIG. 2 is an end view of the sheet pile connector of FIG. 1, the opposite end view being a mirror image thereof;
 FIG. 3 is a right side view of the sheet pile connector of FIG. 1;
 FIG. 4 is a left side view of the sheet pile connector of FIG. 1;
 FIG. 5 is a top view of the sheet pile connector of FIG. 1; and,
 FIG. 6 is a bottom view of the sheet pile connector of FIG. 1.
 The broken lines represent environment and form no part of the claimed design.

1 Claim, 6 Drawing Sheets



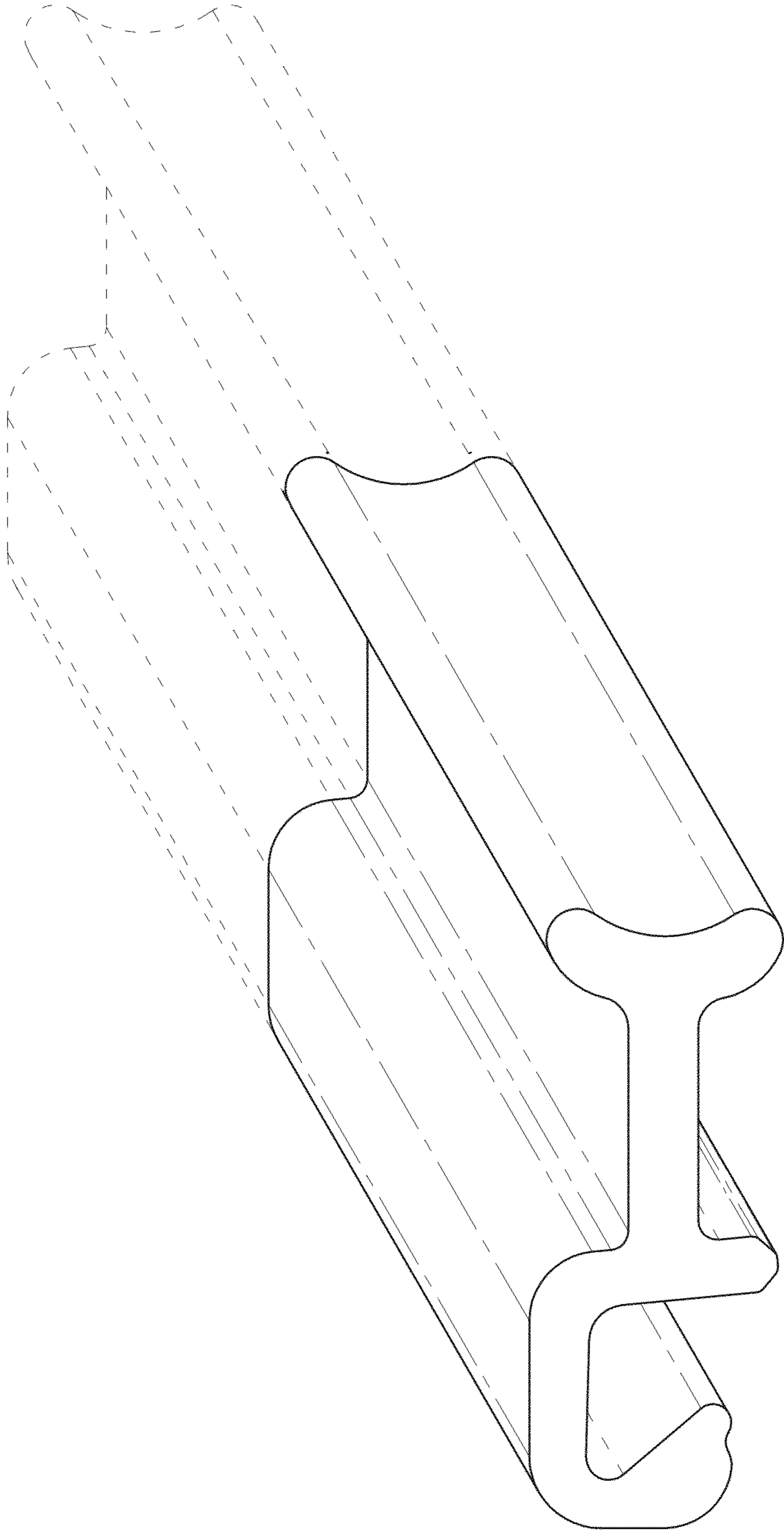


FIG. 1

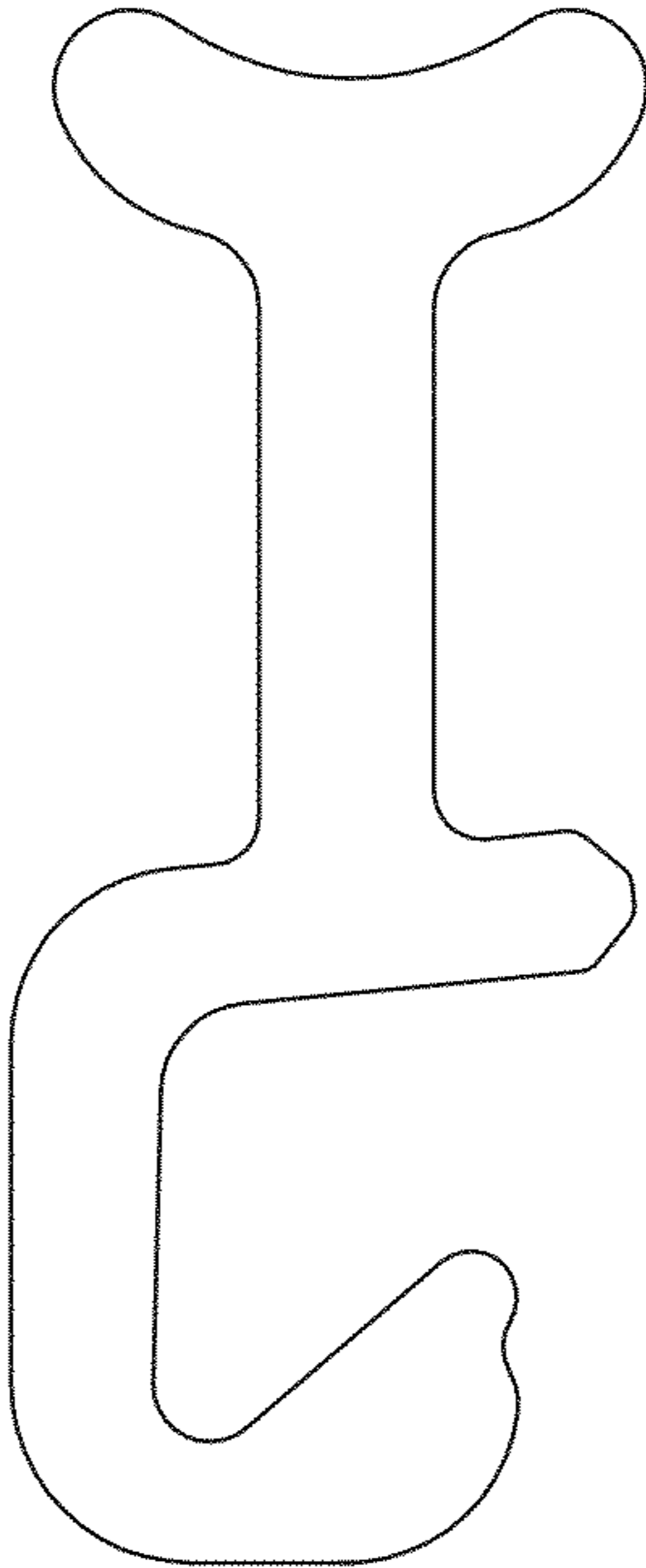


FIG. 2

FIG. 3

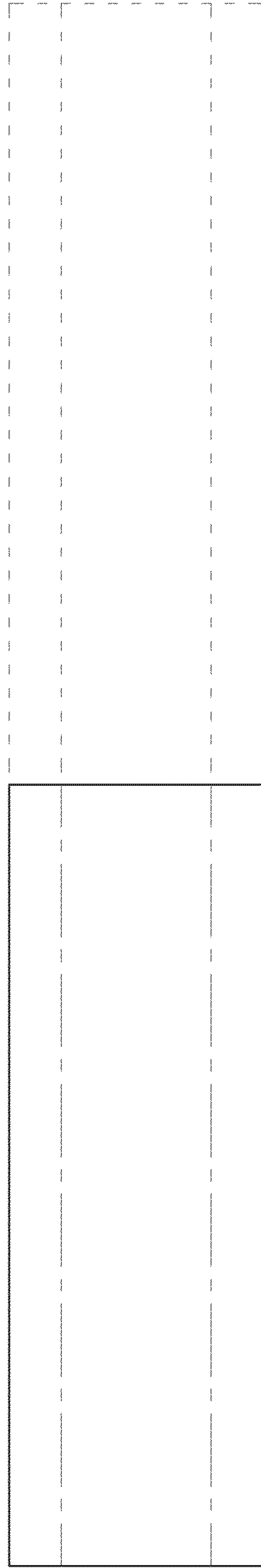


FIG. 4

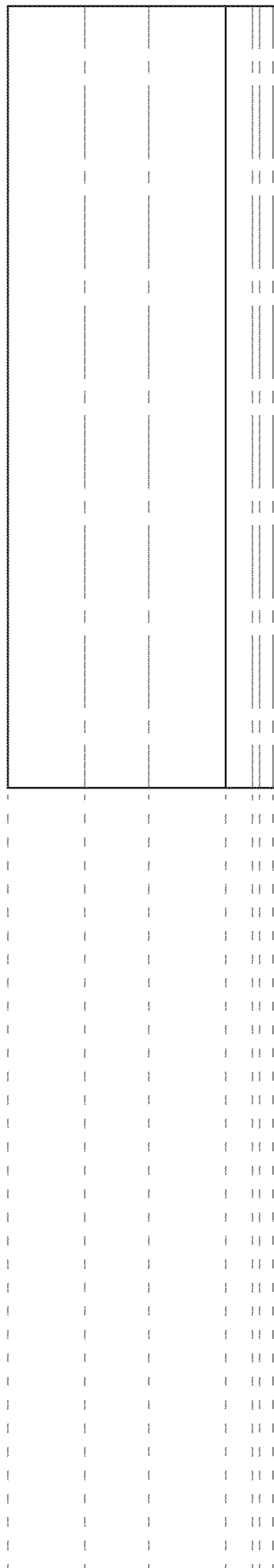


FIG. 5

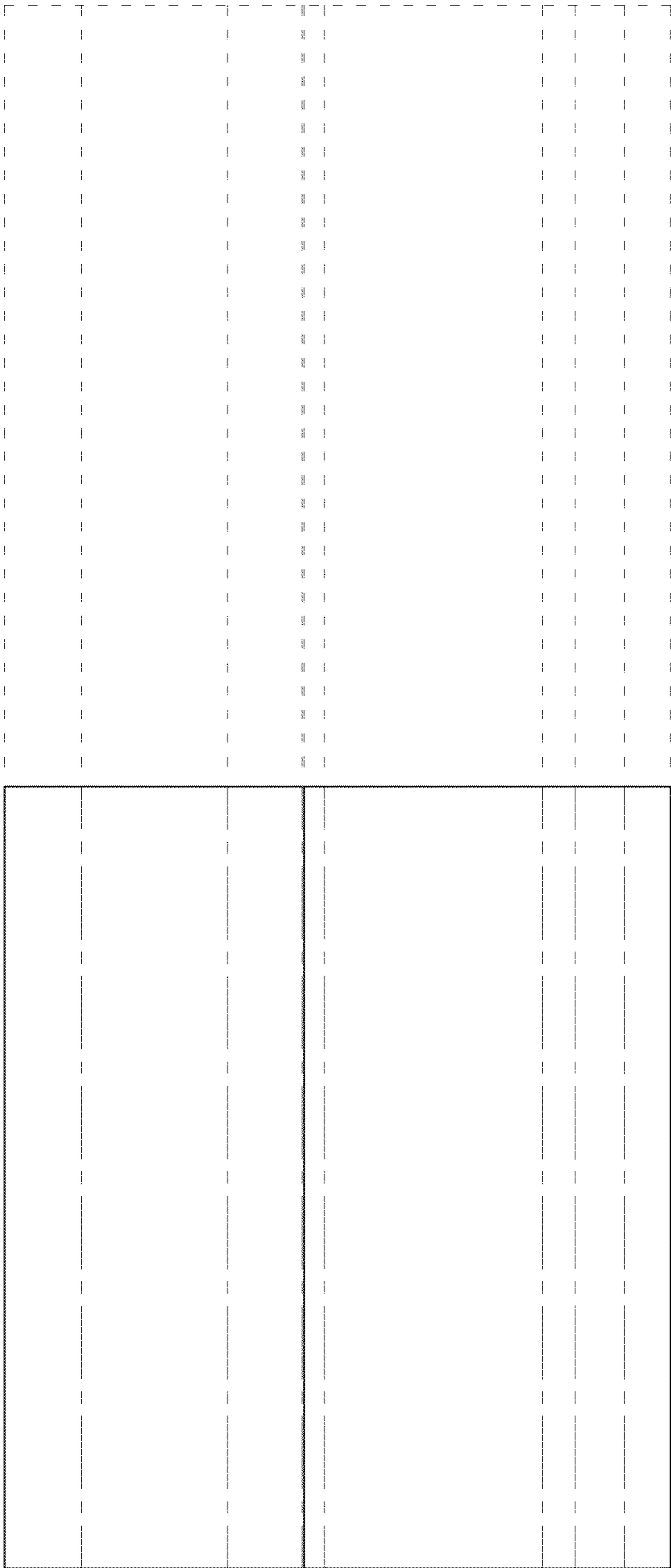


FIG. 6

