



US00D734136S

(12) **United States Design Patent**  
**Therrien**

(10) **Patent No.:** **US D734,136 S**  
(45) **Date of Patent:** **\*\* Jul. 14, 2015**

(54) **CORNER MEMBER FOR A SCREEN FRAME**

(71) Applicant: **Gerard Therrien, St-Apollinaire (CA)**

(72) Inventor: **Gerard Therrien, St-Apollinaire (CA)**

(\*\*) Term: **14 Years**

(21) Appl. No.: **29/421,845**

(22) Filed: **Oct. 2, 2012**

(51) **LOC (10) Cl.** ..... **08-05**

(52) **U.S. Cl.**  
USPC ..... **D8/382**

(58) **Field of Classification Search**  
USPC ..... D8/381, 280, 382, 354, 366, 353, 363,  
D8/356, 373, 376, 377, 71, 106, 349, 355,  
D8/396; 248/200, 243, 347, 251, 237, 235,  
248/248, 249, 250, 300, 544, 588, 242, 314,  
248/267, 265, 207; 108/152, 108, 137;  
174/68.1, 73.1, 57, 48, 135; 52/687,  
52/686, 506.07, 506.06, 426; D6/572,  
D6/574, 555, 705.6, 566, 549; D25/121,  
D25/164, 126, 61, 55, 48.2, 48.3, 48.7, 119;  
211/134; 482/16, 32; 160/381, 371,  
160/369  
CPC ..... E06B 2009/527; E06B 2003/7096;  
E06B 3/9641; E06B 5/00; E04B 2002/7479;  
E04B 2002/7483; A47B 2096/207; B25B  
27/0092; E05D 15/0691; F16B 12/02  
See application file for complete search history.

(56) **References Cited**

**U.S. PATENT DOCUMENTS**

1,852,866 A \* 4/1932 Weitzel ..... 160/381  
4,570,406 A \* 2/1986 DiFazio ..... 52/656.9

D288,244 S \* 2/1987 Schmidt ..... D25/48.7  
D307,078 S \* 4/1990 Guillemet ..... D6/300  
D317,400 S \* 6/1991 Loew ..... D8/382  
5,431,211 A \* 7/1995 Guillemet ..... 160/381  
5,450,701 A \* 9/1995 White ..... 52/656.9  
5,473,853 A \* 12/1995 Guillemet et al. .... 52/745.16  
5,547,011 A \* 8/1996 Dotson et al. .... 160/381  
6,672,365 B2 \* 1/2004 Therrien ..... 160/369  
8,028,489 B1 \* 10/2011 Lawrence ..... 52/656.7  
2002/0005261 A1 \* 1/2002 Therrien ..... 160/381  
2006/0157208 A1 \* 7/2006 Annacchino ..... 160/371  
2007/0056701 A1 \* 3/2007 Brooker et al. .... 160/381

\* cited by examiner

*Primary Examiner* — Robert M Spear

*Assistant Examiner* — Eliza Bennett-Hattan

(74) *Attorney, Agent, or Firm* — Eric Fincham

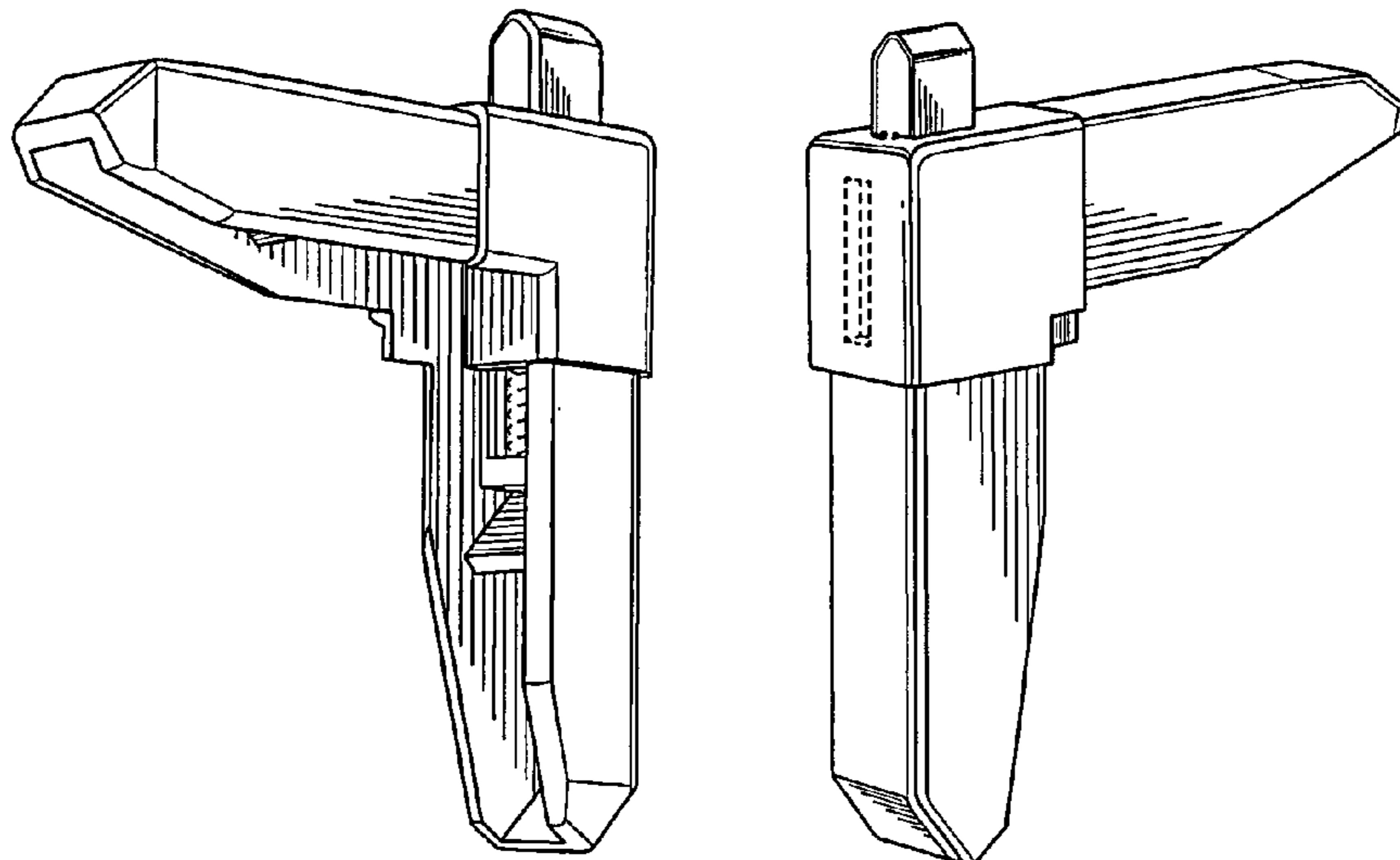
(57) **CLAIM**

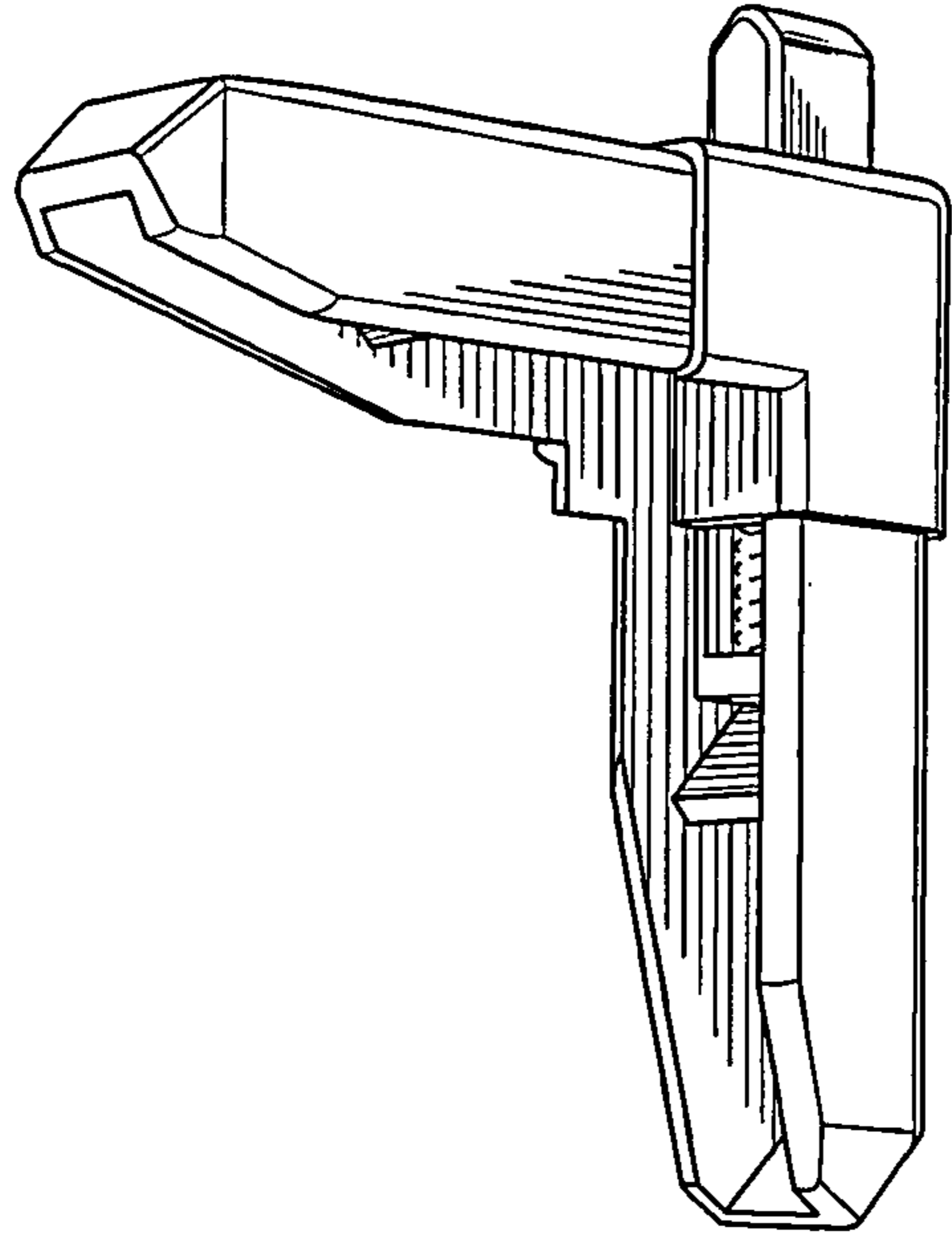
The ornamental design for a corner member for a screen frame, as shown and described.

**DESCRIPTION**

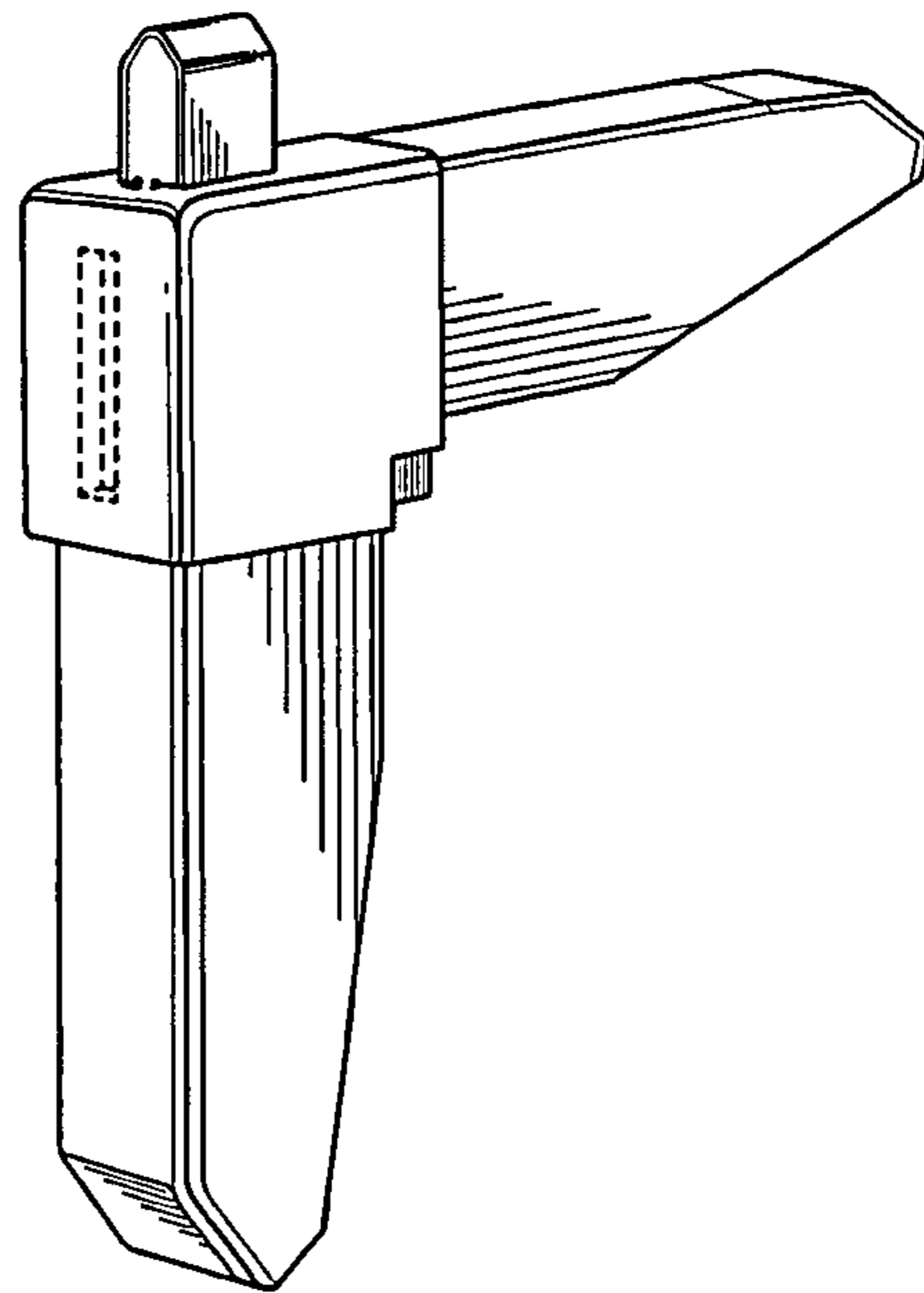
FIG. 1 is a perspective view of the corner member for a screen frame;  
FIG. 2 is a side elevational view as seen from the left hand side of FIG. 1;  
FIG. 3 is a front plan view thereof;  
FIG. 4 is a side view as seen from the right hand side of FIG. 1;  
FIG. 5 is a rear plan view thereof;  
FIG. 6 is a top plan view thereof;  
FIG. 7 is a bottom view thereof; and,  
FIG. 8 is a further perspective view thereof.

**1 Claim, 2 Drawing Sheets**





**FIG. 1**



**FIG. 8**

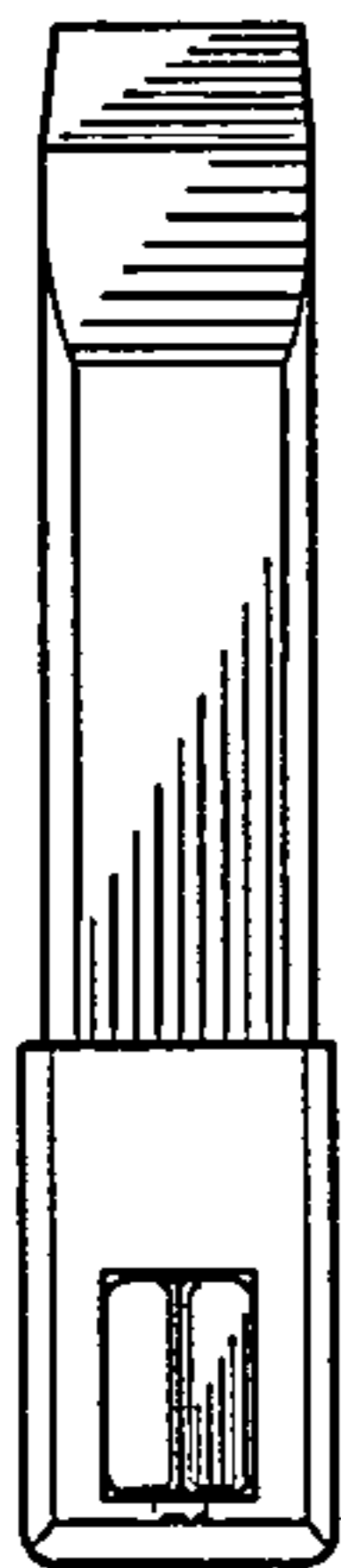


FIG. 6

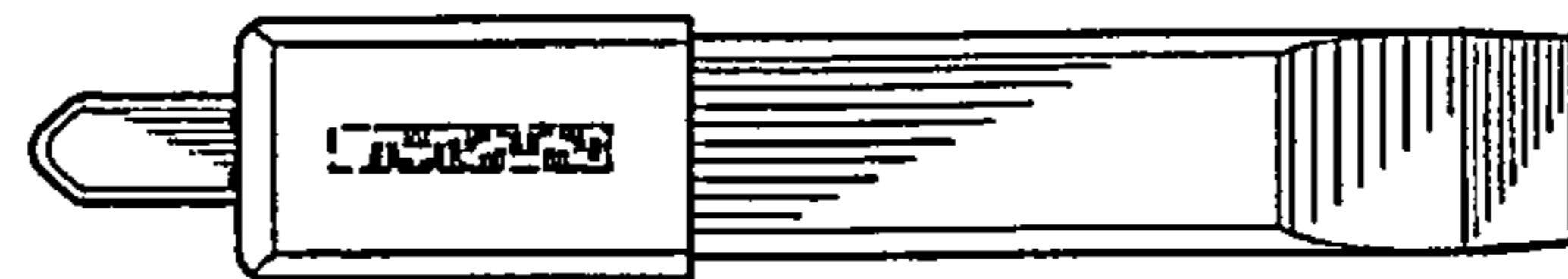


FIG. 2

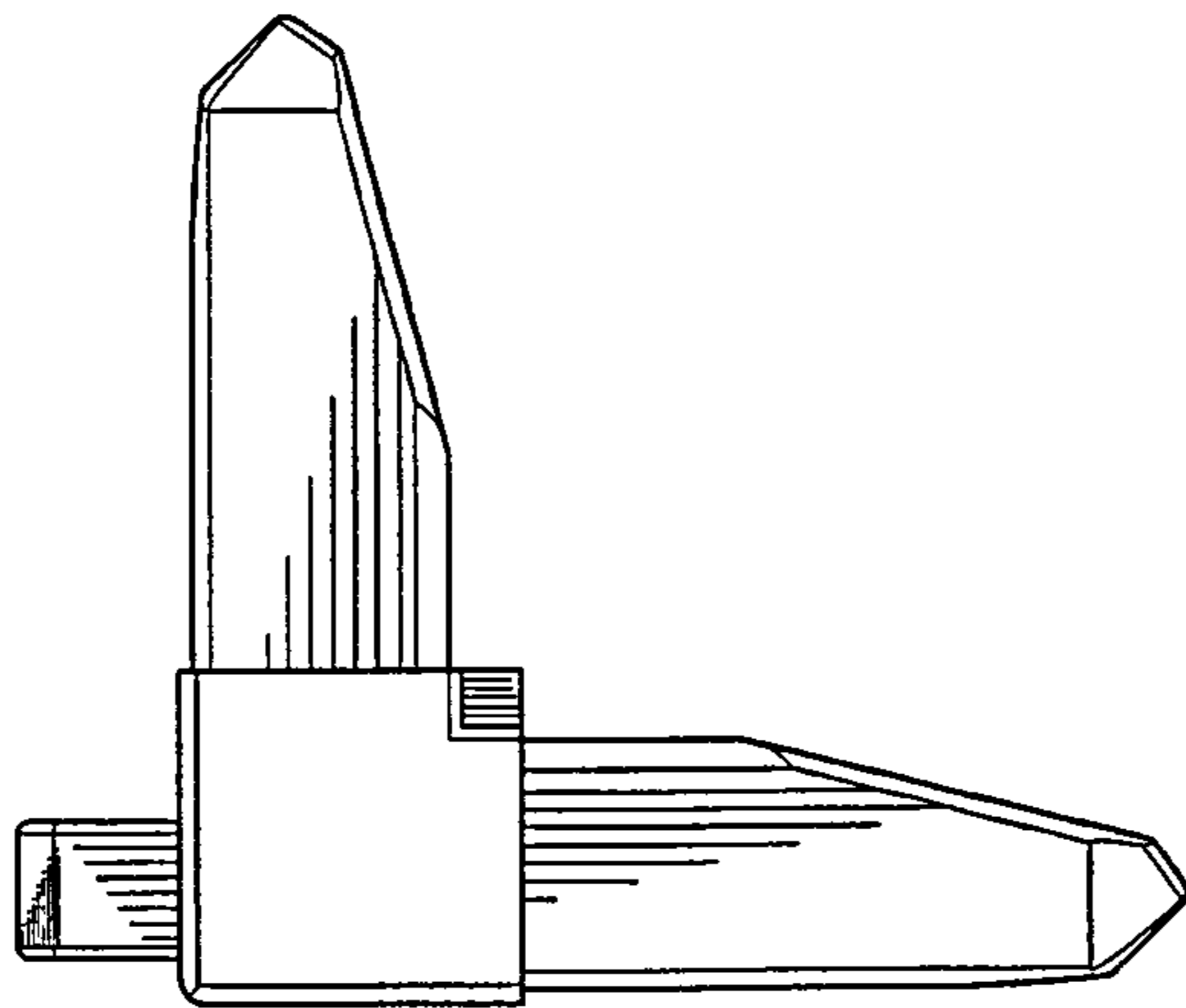


FIG. 3



FIG. 4

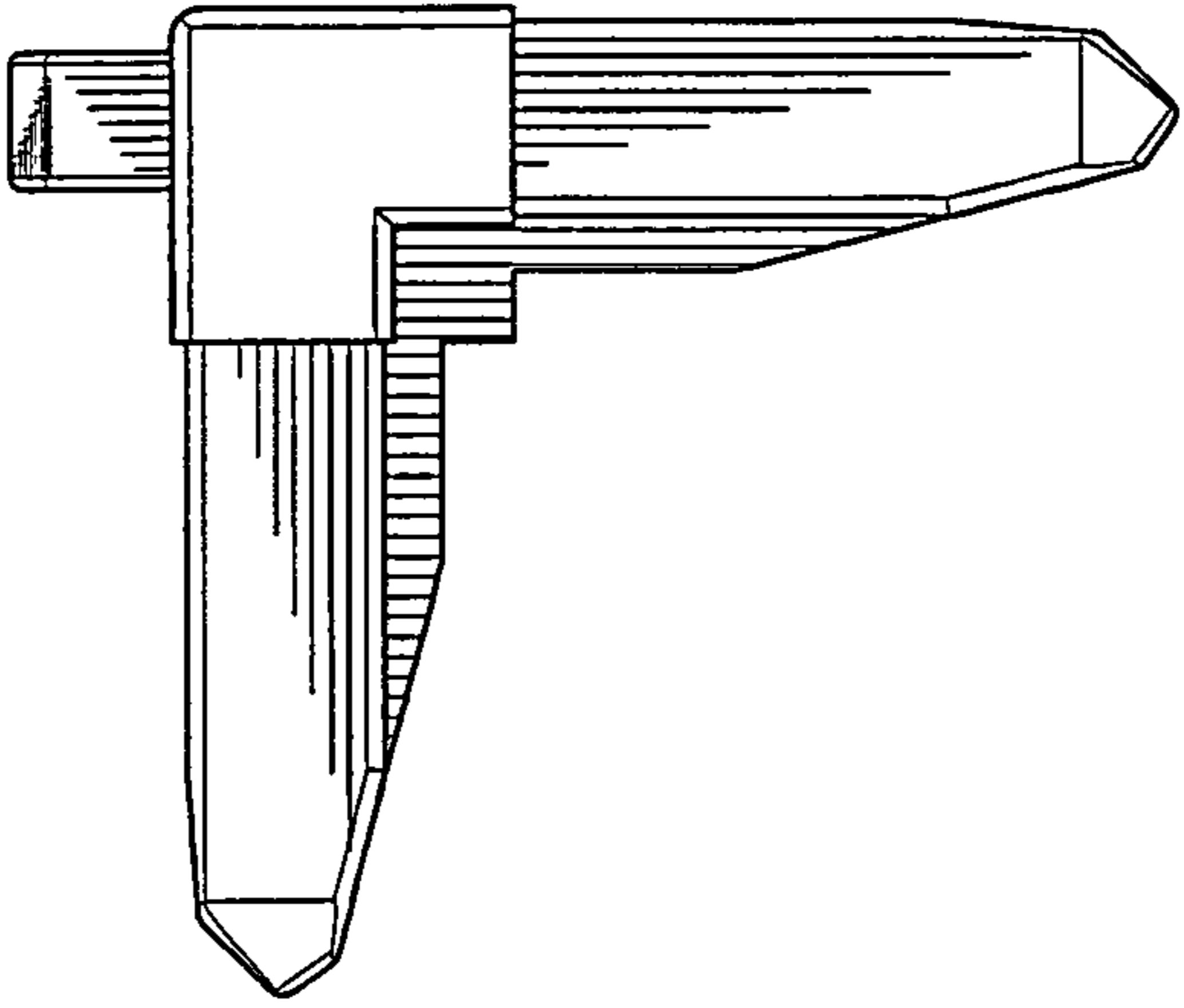


FIG. 5

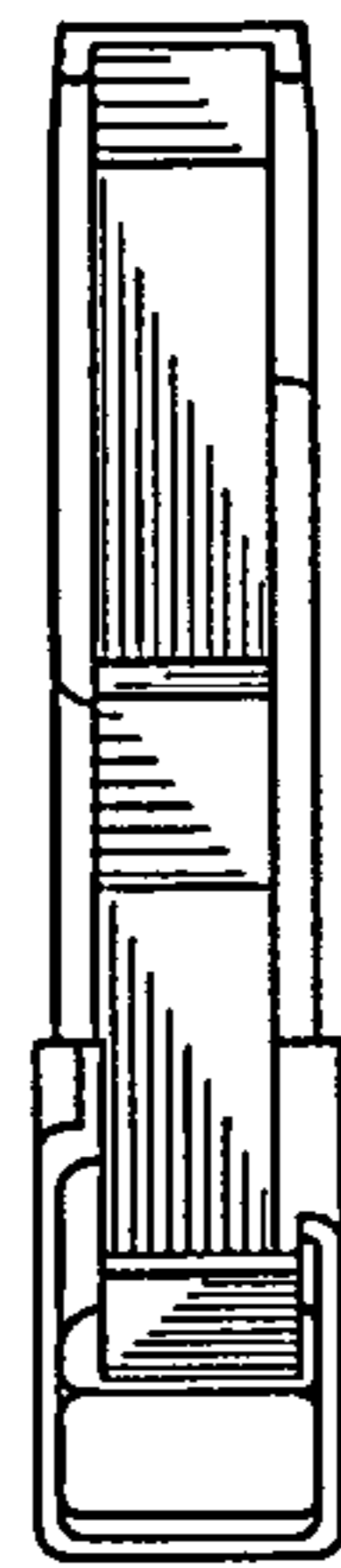


FIG. 7