



US00D734134S

(12) **United States Design Patent**
Bauerle

(10) **Patent No.:** **US D734,134 S**
(45) **Date of Patent:** **** Jul. 14, 2015**

- (54) **DOUBLE-SIDED WREATH HANGER**
- (71) Applicant: **Norman F. Bauerle**, Scottsdale, AZ
(US)
- (72) Inventor: **Norman F. Bauerle**, Scottsdale, AZ
(US)
- (**) Term: **14 Years**
- (21) Appl. No.: **29/482,492**
- (22) Filed: **Feb. 19, 2014**
- (51) **LOC (10) Cl.** **08-05**
- (52) **U.S. Cl.**
USPC **D8/372**
- (58) **Field of Classification Search**
USPC D8/383, 374, 300, 303, 313, 314, 394,
D8/396, 380, 373, 395, 363, 381, 44, 19,
D8/352, 370, 308, 372, 376; D13/133;
D19/1; D22/108; D26/87; D9/686,
D9/687; D23/238; D6/556, 554, 546, 540,
D6/550, 300, 325, 682
CPC A47F 5/0006; A47F 5/101; A47H 1/142;
G09F 7/18; A01G 5/04
See application file for complete search history.

6,575,416	B1	6/2003	Avinger	
D494,047	S *	8/2004	Klein et al.	D8/371
D494,050	S *	8/2004	Klein et al.	D8/373
D494,454	S *	8/2004	Klein et al.	D8/373
7,185,864	B2	3/2007	Adams	
D557,120	S *	12/2007	Snell	D8/372
D576,021	S *	9/2008	Goodman et al.	D8/372
D621,243	S *	8/2010	Hill	D8/373
D702,540	S *	4/2014	Kacines	D8/373
D707,535	S *	6/2014	Burr	D8/363

* cited by examiner

Primary Examiner — Robert M Spear
Assistant Examiner — Eliza Bennett-Hattan
(74) *Attorney, Agent, or Firm* — Crossley Patent Law

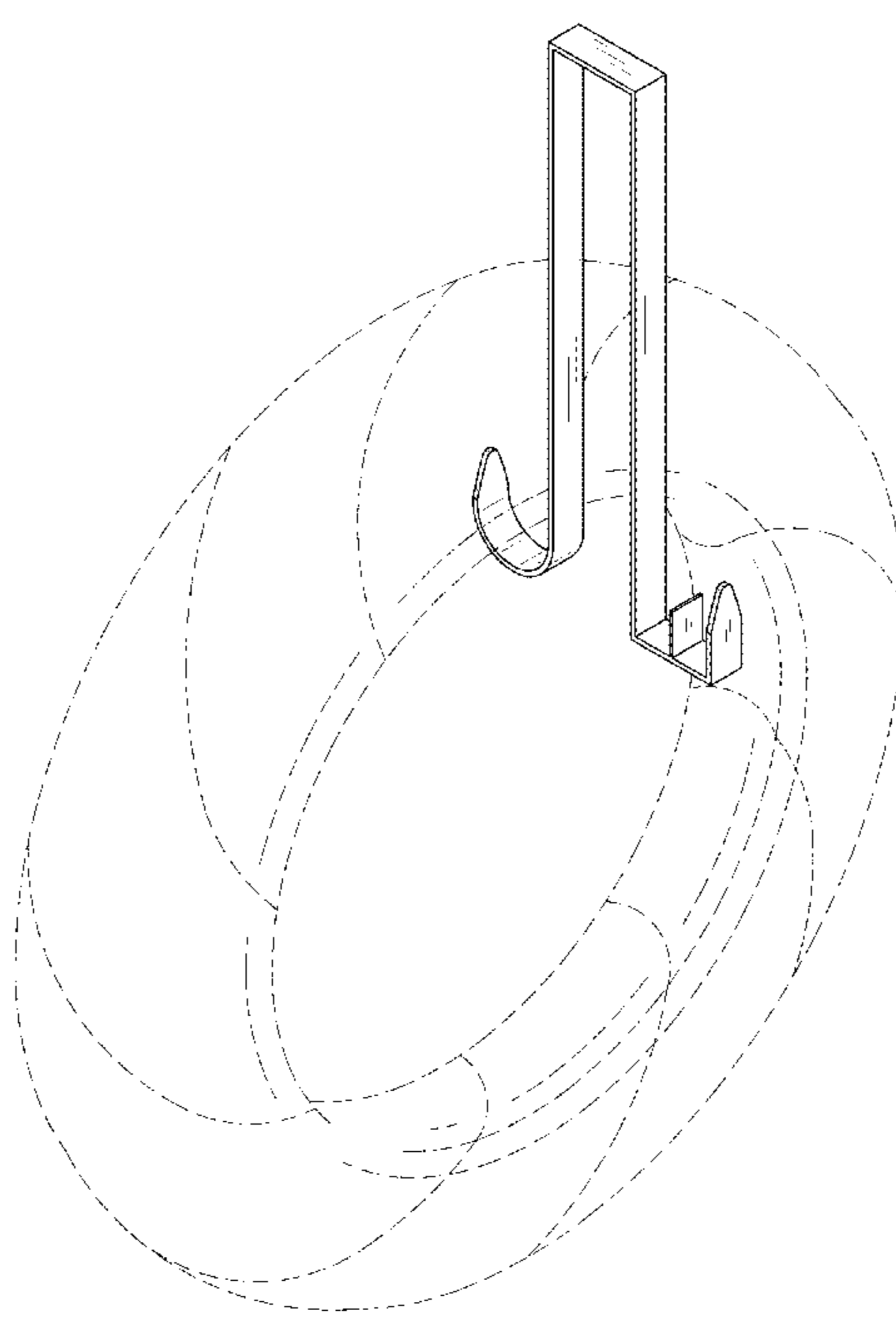
(57) **CLAIM**
The ornamental design for a double-sided wreath hanger, as shown and described.

DESCRIPTION

FIG. 1 is a front elevation view of a double-sided wreath hanger showing my new design, the opposite side being a mirror image of the shown;
FIG. 2 is a left side elevation view thereof;
FIG. 3 is a right side elevation view thereof;
FIG. 4 is a top plan view thereof;
FIG. 5 is a bottom plan view thereof; and,
FIG. 6 is an isometric view thereof.
The broken lines in FIG. 6 of the drawings depict a wreath as environmental subject matter only and form no part of the claimed design.

1 Claim, 4 Drawing Sheets

- (56) **References Cited**
U.S. PATENT DOCUMENTS
D251,180 S * 2/1979 Mader et al. D8/371
D279,450 S * 7/1985 Chap D8/363
D377,309 S * 1/1997 Hofman D8/372
D389,035 S * 1/1998 Smiley et al. D8/363
6,302,365 B1 10/2001 Catanzarite et al.



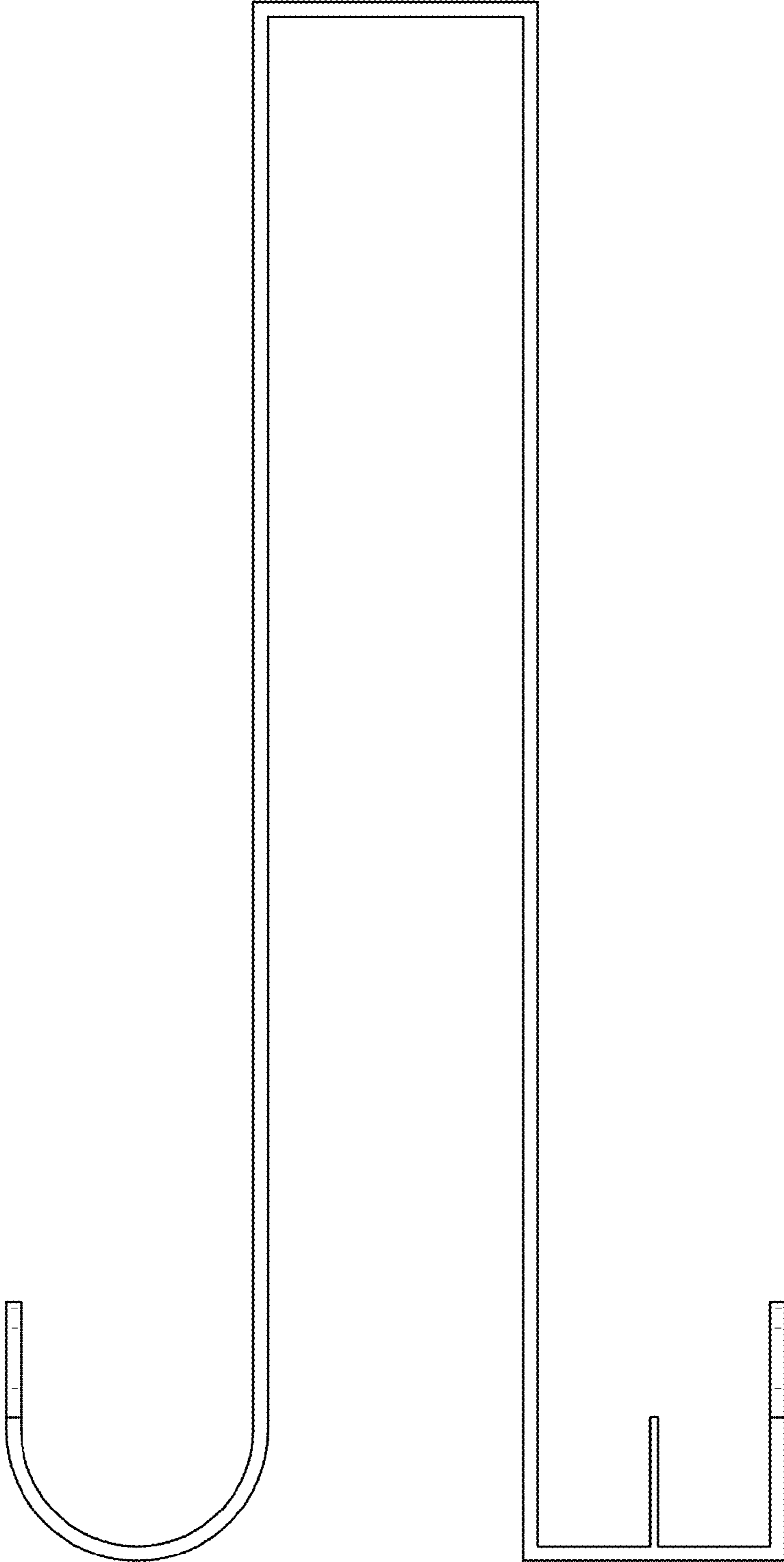


FIG. 1

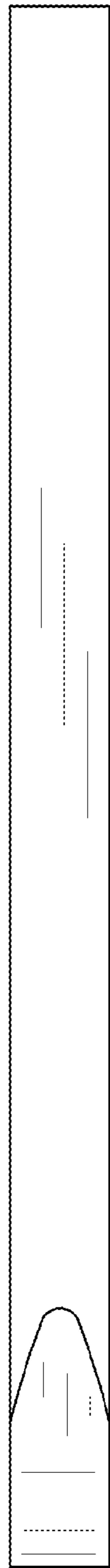


FIG. 2

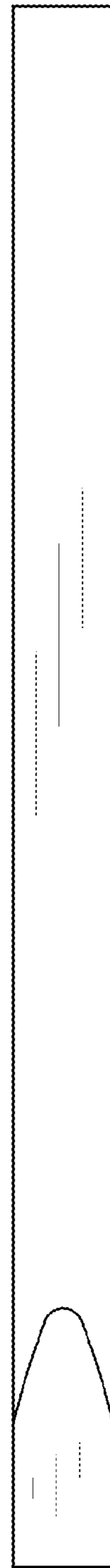


FIG. 3

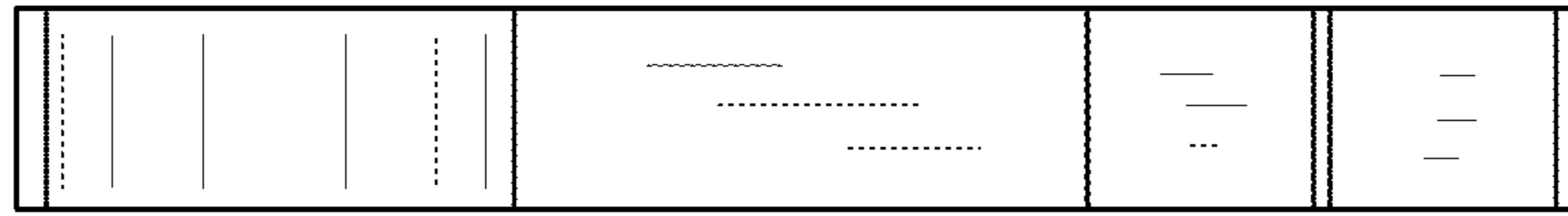


FIG. 4

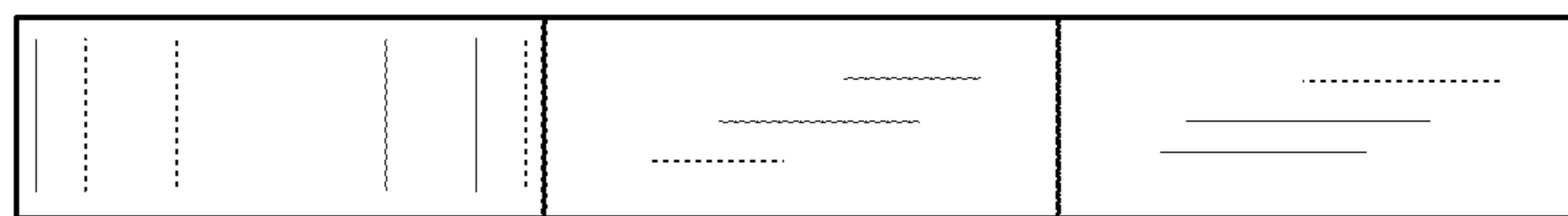


FIG. 5

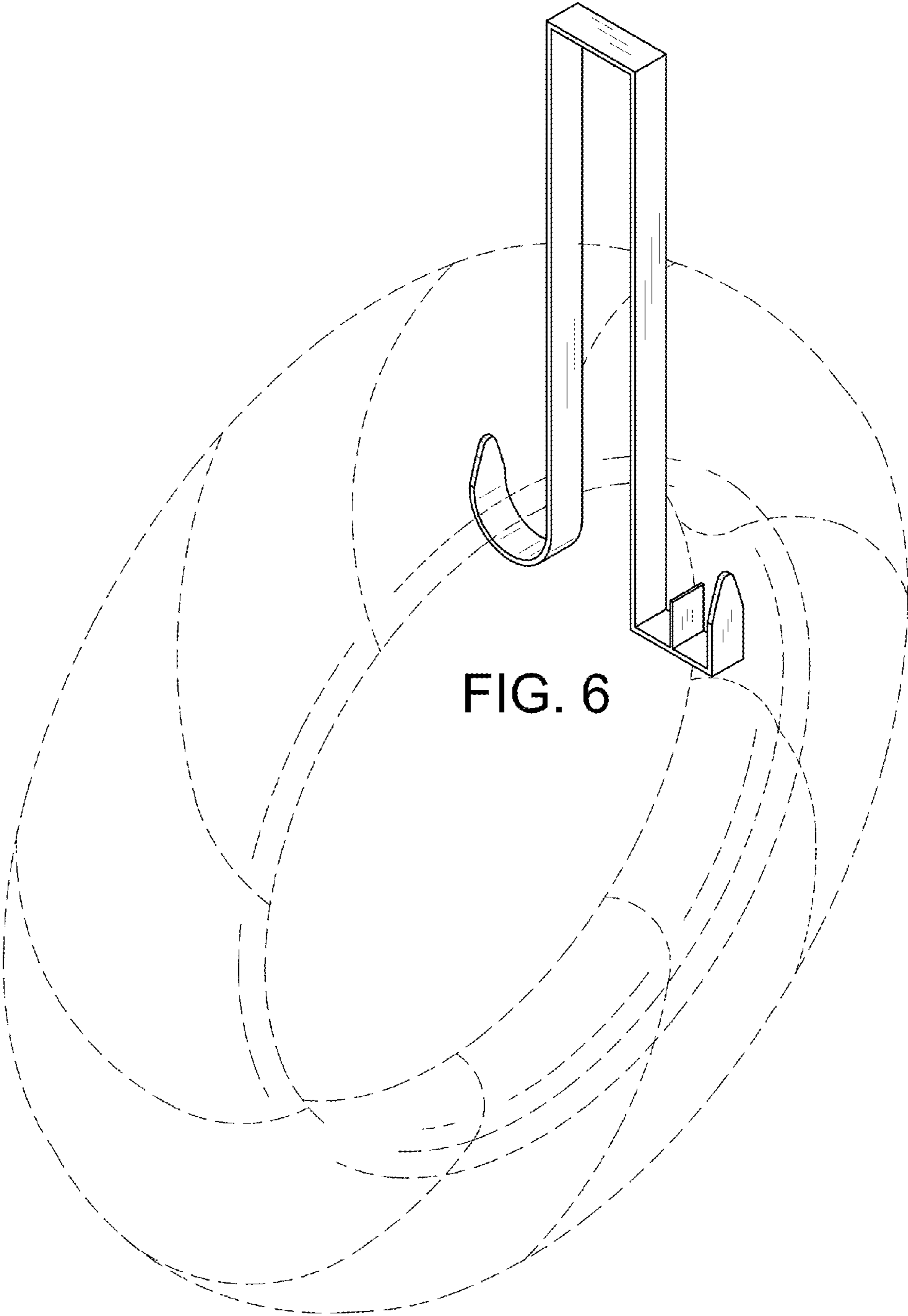


FIG. 6