



US00D734132S

(12) **United States Design Patent**
Ware

(10) **Patent No.:** **US D734,132 S**
(45) **Date of Patent:** **** Jul. 14, 2015**

(54) **OPTICAL CONNECTOR ASSEMBLY JIG**

(71) Applicant: **Rolling River, LLC**, Franklin, TN (US)

(72) Inventor: **Brent Ware**, Franklin, TN (US)

(73) Assignee: **ROLLING RIVER, LLC**, Franklin, TN (US)

(**) Term: **14 Years**

(21) Appl. No.: **29/499,317**

(22) Filed: **Aug. 13, 2014**

(51) **LOC (10) Cl.** **08-05**

(52) **U.S. Cl.**
USPC **D8/356**

(58) **Field of Classification Search**
USPC 385/78, 81, 60, 115, 135; 29/428;
398/115; D8/356, 354, 349
See application file for complete search history.

(56) **References Cited**

U.S. PATENT DOCUMENTS

| | | | | |
|--------------|---------|---------------|-------|---------|
| D556,017 S * | 11/2007 | Hutter, III | | D8/354 |
| D596,577 S * | 7/2009 | Asano et al. | | D13/147 |
| D605,127 S * | 12/2009 | Yasuda et al. | | D13/147 |
| D658,486 S * | 5/2012 | Hecht et al. | | D8/354 |
| D666,473 S * | 9/2012 | Despotellis | | D8/354 |
| D666,895 S * | 9/2012 | Despotellis | | D8/354 |
| 8,439,577 B2 | 5/2013 | Jenkins | | |

| | | | | |
|-----------------|---------|------------------|-------|---------|
| D691,461 S * | 10/2013 | Waugh et al. | | D8/354 |
| D698,377 S * | 1/2014 | McGaughy | | D15/141 |
| D705,168 S * | 5/2014 | Yamauchi et al. | | D13/133 |
| D717,157 S * | 11/2014 | Widdows et al. | | D8/356 |
| D722,567 S * | 2/2015 | Lee et al. | | D13/147 |
| 2008/0011990 A1 | 1/2008 | Kostet et al. | | |
| 2008/0013907 A1 | 1/2008 | Zumovitch et al. | | |
| 2008/0013909 A1 | 1/2008 | Kostet et al. | | |
| 2008/0013956 A1 | 1/2008 | Ware et al. | | |
| 2008/0013957 A1 | 1/2008 | Akers et al. | | |
| 2008/0175540 A1 | 7/2008 | Zheng et al. | | |
| 2008/0175545 A1 | 7/2008 | Zheng et al. | | |
| 2010/0215321 A1 | 8/2010 | Jenkins | | |

* cited by examiner

Primary Examiner — Cynthia Underwood

(74) *Attorney, Agent, or Firm* — Banner & Witcoff, Ltd.

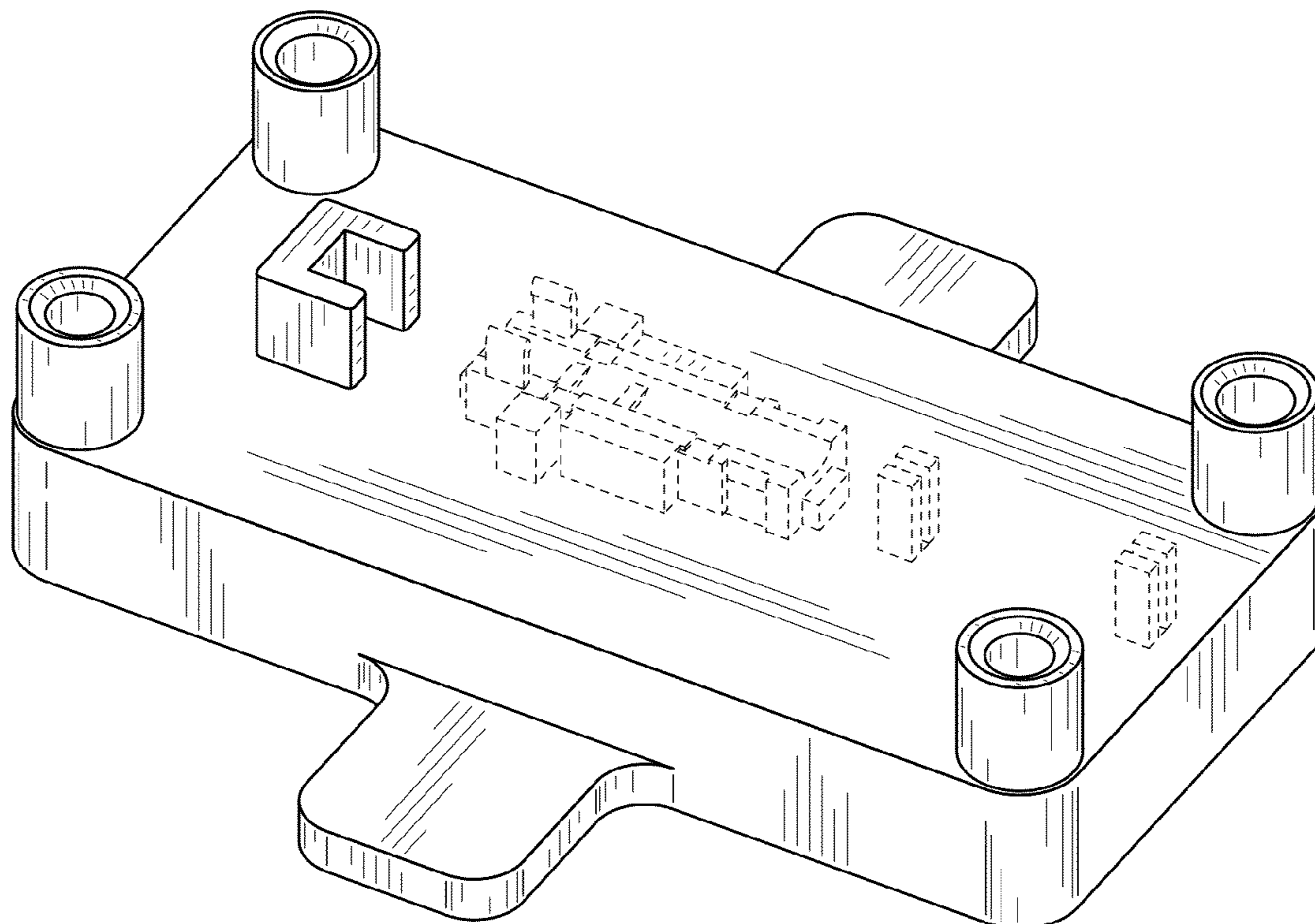
(57) **CLAIM**

The ornamental design for an optical connector assembly jig, as shown and described.

DESCRIPTION

FIG. 1 is a perspective view of an optical connector assembly jig showing the new design;
FIG. 2 is a front view thereof;
FIG. 3 is a rear view thereof;
FIG. 4 is a right side view thereof;
FIG. 5 is a left side view thereof; and,
FIG. 6 is a top view thereof.
The broken line showing of selected elements is for environmental purposes only and forms no part of the claimed design.

1 Claim, 4 Drawing Sheets



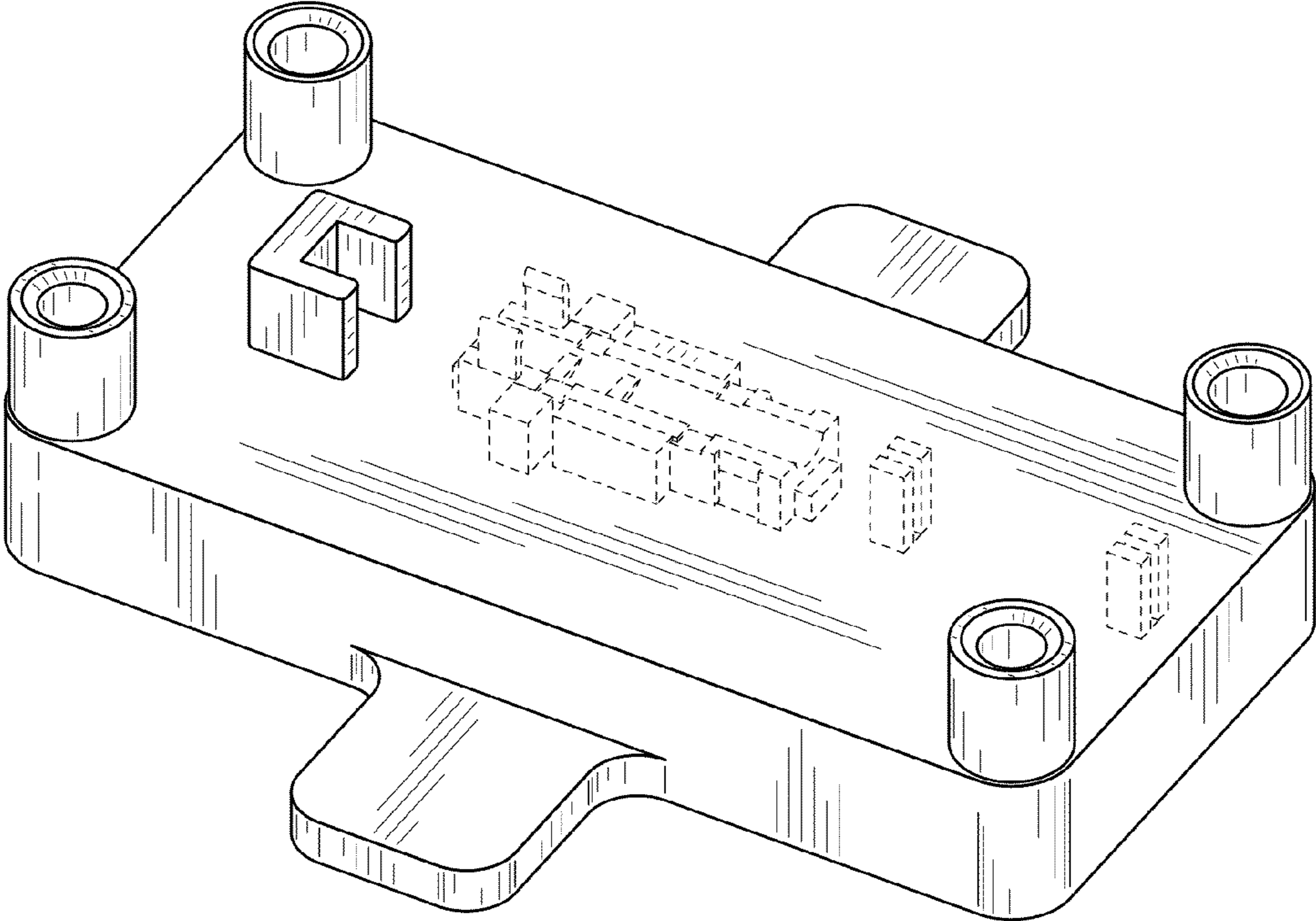


FIG. 1

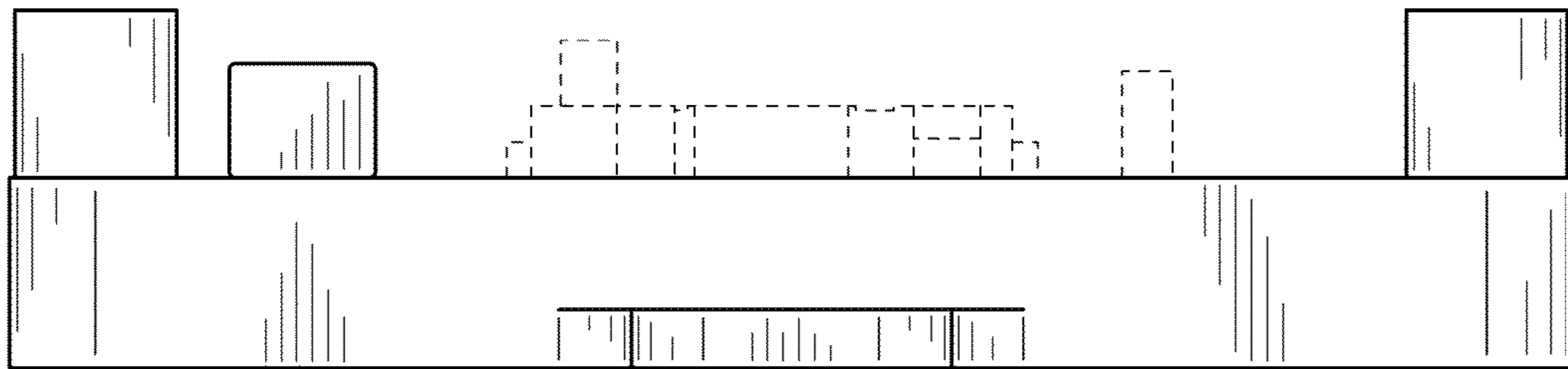


FIG. 2

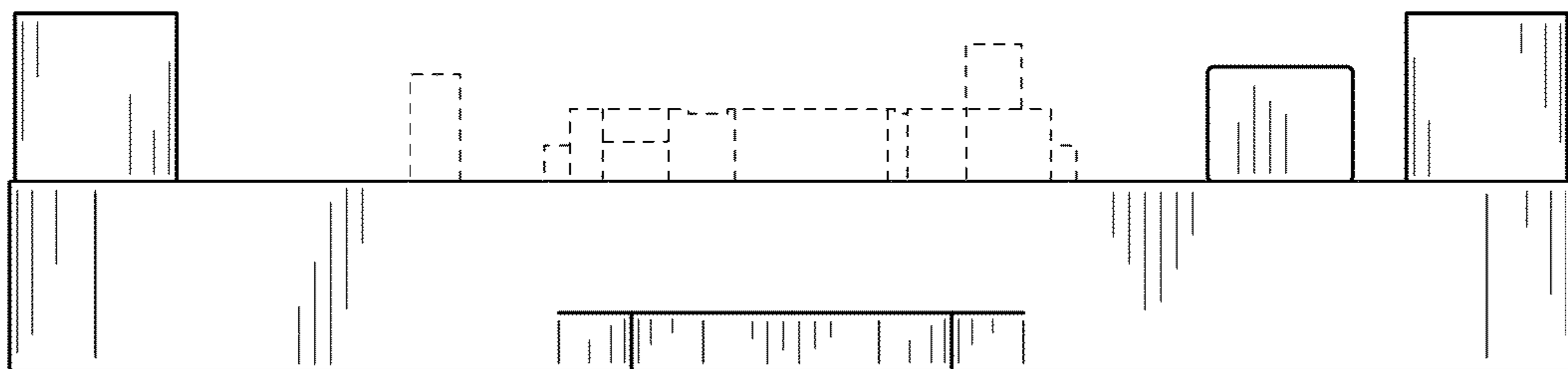


FIG. 3

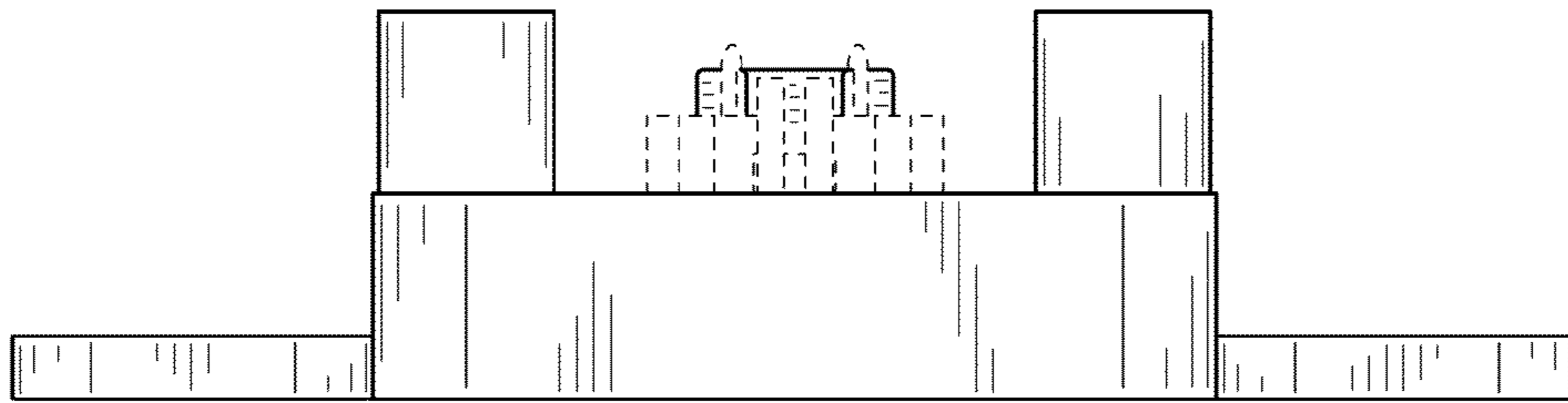


FIG. 4

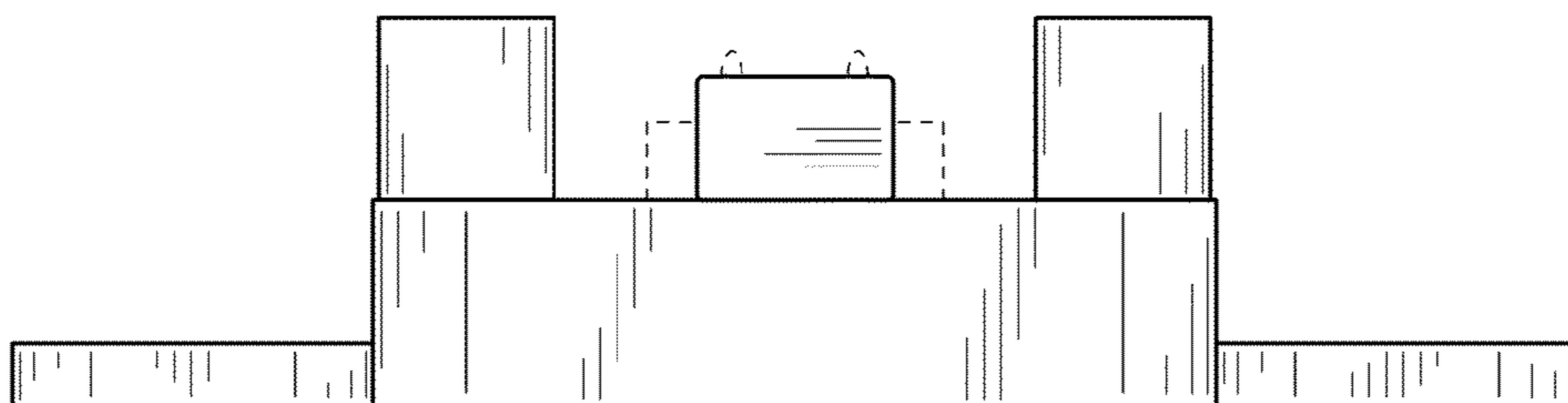


FIG. 5

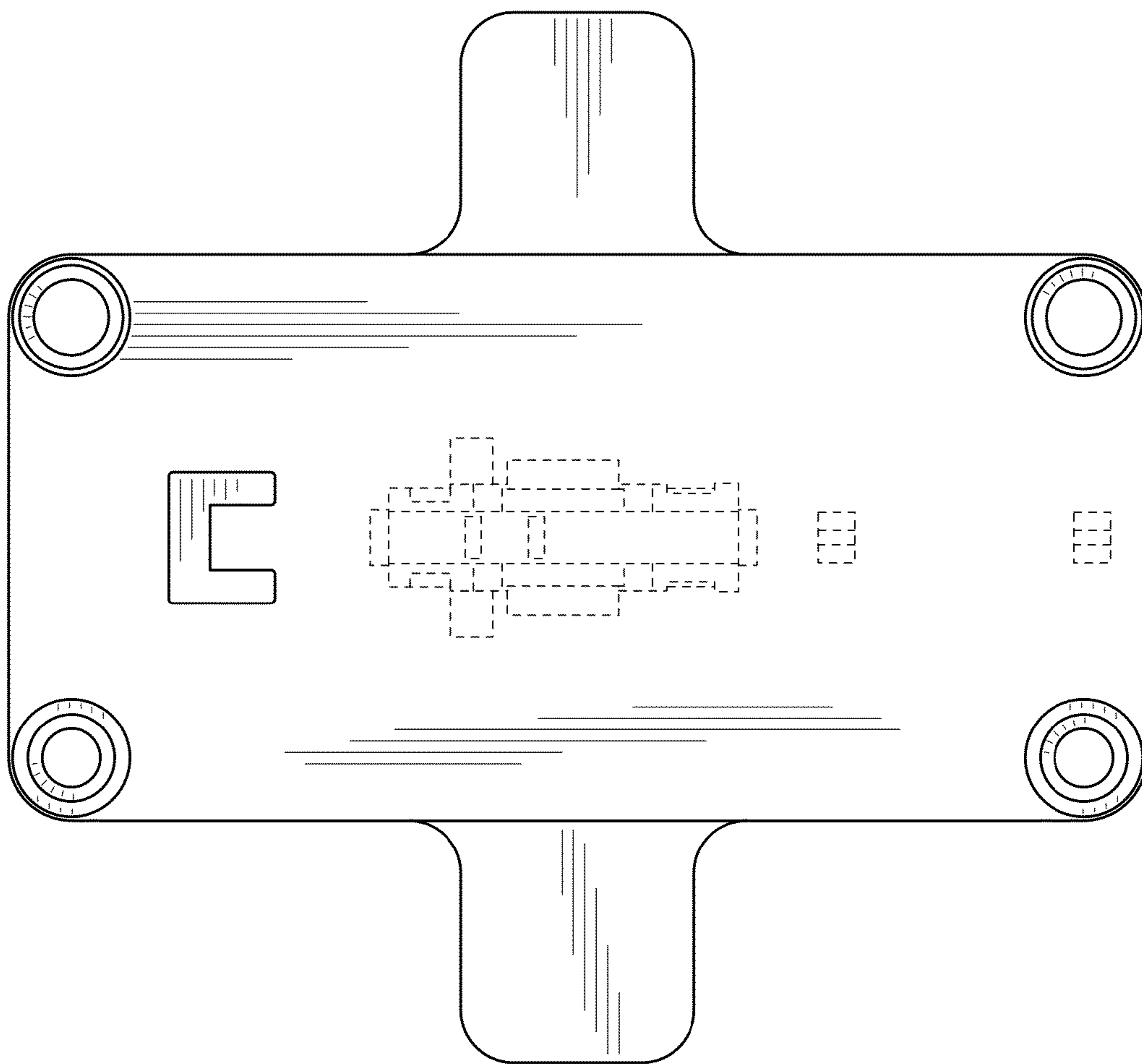


FIG. 6