



US00D734130S

(12) **United States Design Patent**  
**Ito et al.**

(10) **Patent No.:** **US D734,130 S**  
(45) **Date of Patent:** **\*\* Jul. 14, 2015**

- (54) **SNAP PORTION OF SPACER**
- (71) Applicant: **KITAGAWA INDUSTRIES CO., LTD.**, Inazawa-shi, Aichi (JP)
- (72) Inventors: **Keisuke Ito**, Aichi (JP); **Toshiki Seto**, Aichi (JP)
- (73) Assignee: **KITAGAWA INDUSTRIES CO., LTD.**, Aichi (JP)
- (\*\*) Term: **14 Years**
- (21) Appl. No.: **29/441,283**
- (22) Filed: **Jan. 3, 2013**
- (51) **LOC (10) Cl.** ..... **08-05**
- (52) **U.S. Cl.**  
USPC ..... **D8/354**
- (58) **Field of Classification Search**  
USPC ..... D8/349, 354, 396; D13/99, 24, 154;  
174/138 D; 24/305, 297, 453, 326, 289,  
24/292; 411/508, 509, 510; 248/73;  
403/408.1  
See application file for complete search history.

4,524,494 A *	6/1985	Sato et al.	24/453
4,604,776 A *	8/1986	Takahashi	24/453
4,681,288 A *	7/1987	Nakamura	248/71
4,700,913 A *	10/1987	Hirano et al.	248/73
D292,871 S *	11/1987	Hayashi	D8/354
D292,872 S *	11/1987	Takahashi	D8/354
D293,880 S *	1/1988	Takahashi	D8/354
D319,173 S *	8/1991	Morita	D8/354
D324,168 S *	2/1992	Fujioka	D8/354
D369,291 S *	4/1996	Nakamura	D8/354
D392,544 S *	3/1998	Nakamura	D8/354
D392,545 S *	3/1998	Nakamura	D8/354
6,581,252 B1 *	6/2003	Sedlock et al.	24/297

\* cited by examiner

*Primary Examiner* — Mark Goodwin

(74) *Attorney, Agent, or Firm* — Lowe Hauptman & Ham, LLP

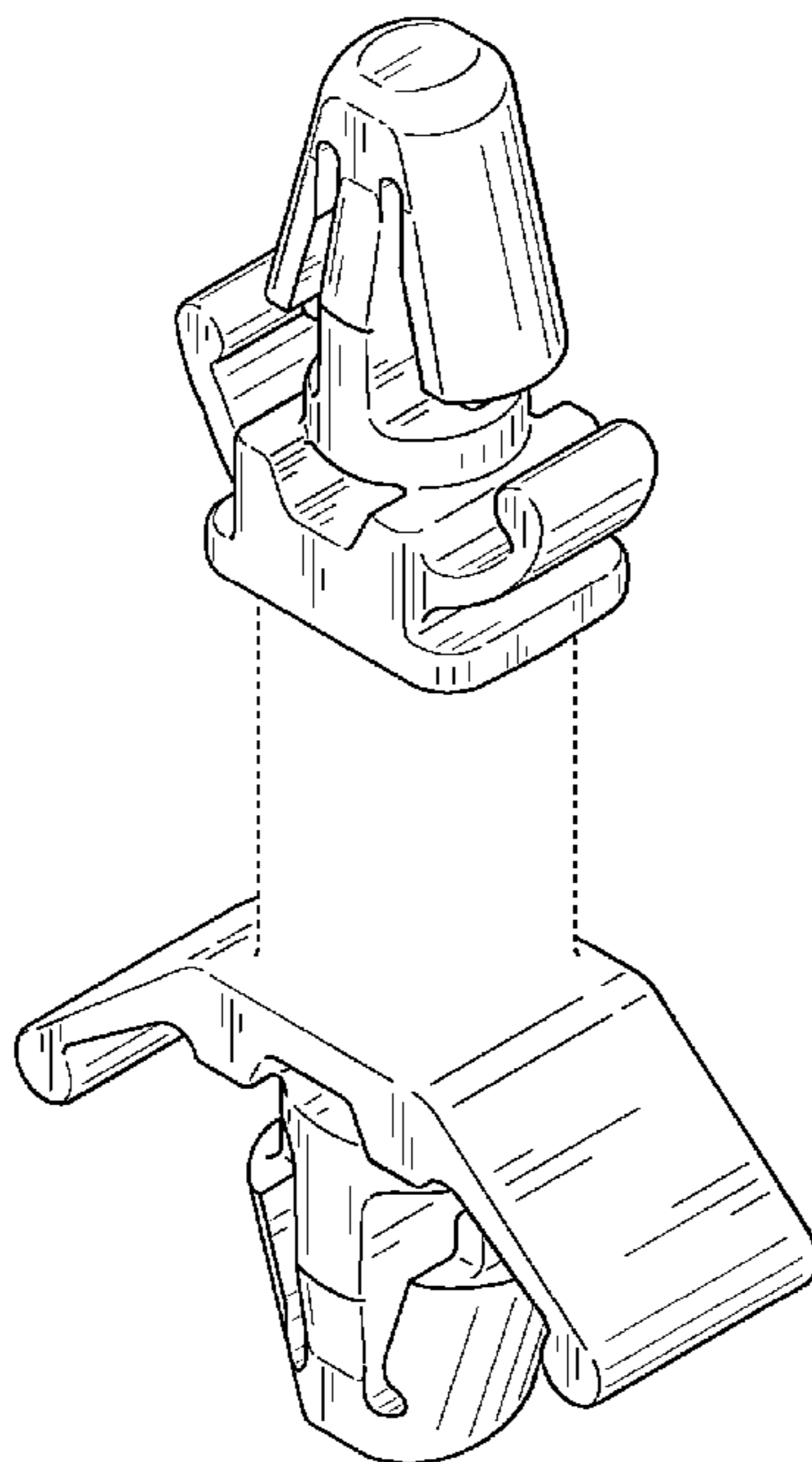
(57) **CLAIM**

The ornamental design for snap portion of spacer, as shown and described.

**DESCRIPTION**

FIG. 1 is a first perspective view of a snap portion of a spacer bearing the design;  
 FIG. 2 is a second perspective view of the snap portion of FIG. 1;  
 FIG. 3 is a front view of the snap portion of FIG. 1;  
 FIG. 4 is a side view of the snap portion of FIG. 1;  
 FIG. 5 is a top view of the snap portion of FIG. 1;  
 FIG. 6 is a bottom view of the snap portion of FIG. 1; and,  
 FIG. 7 is a reference front view of the snap portion of FIG. 1 when the snap portion is in use.  
 The broken lines in the drawings form no part of the disclosed and claimed design.

**1 Claim, 4 Drawing Sheets**



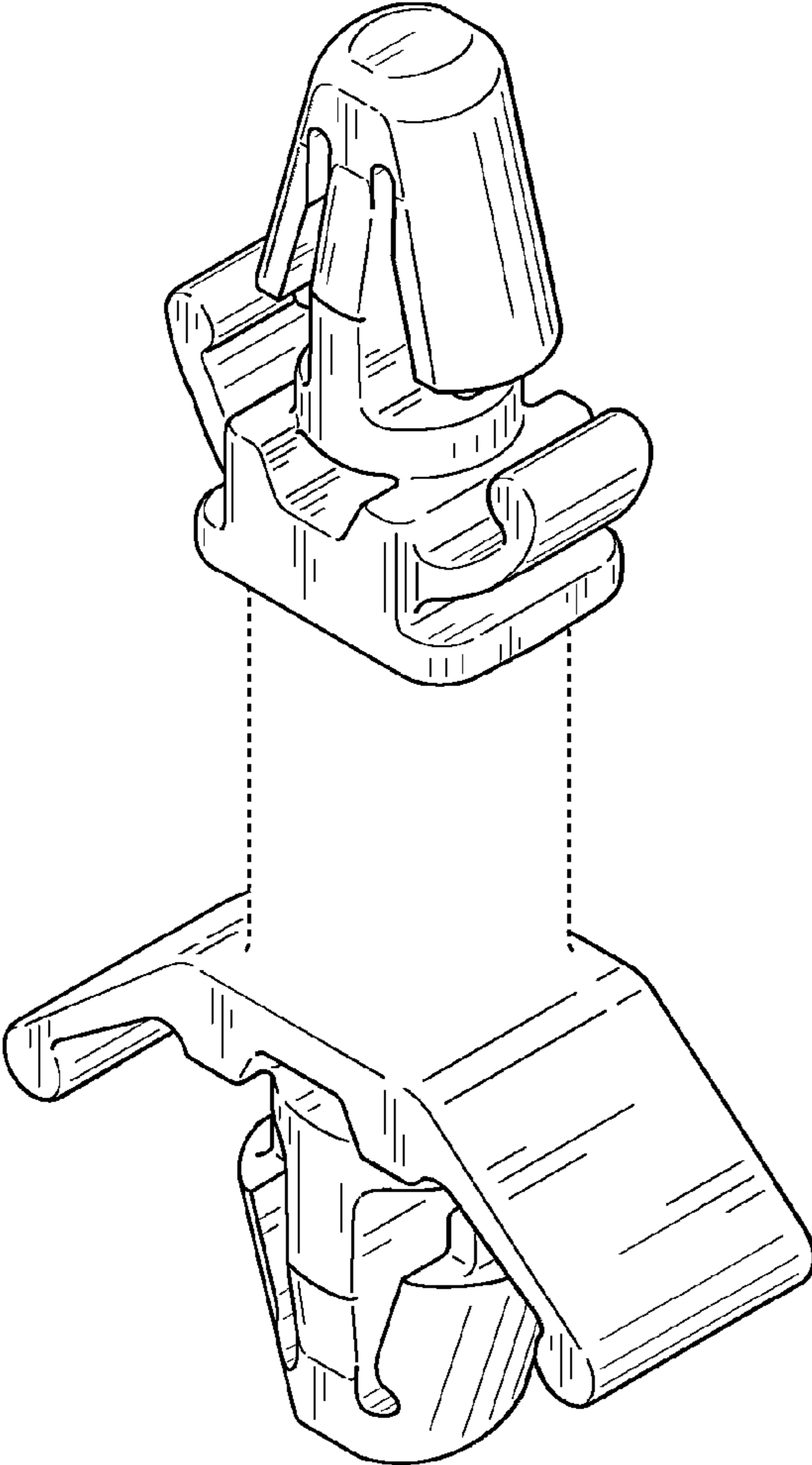


FIG. 1

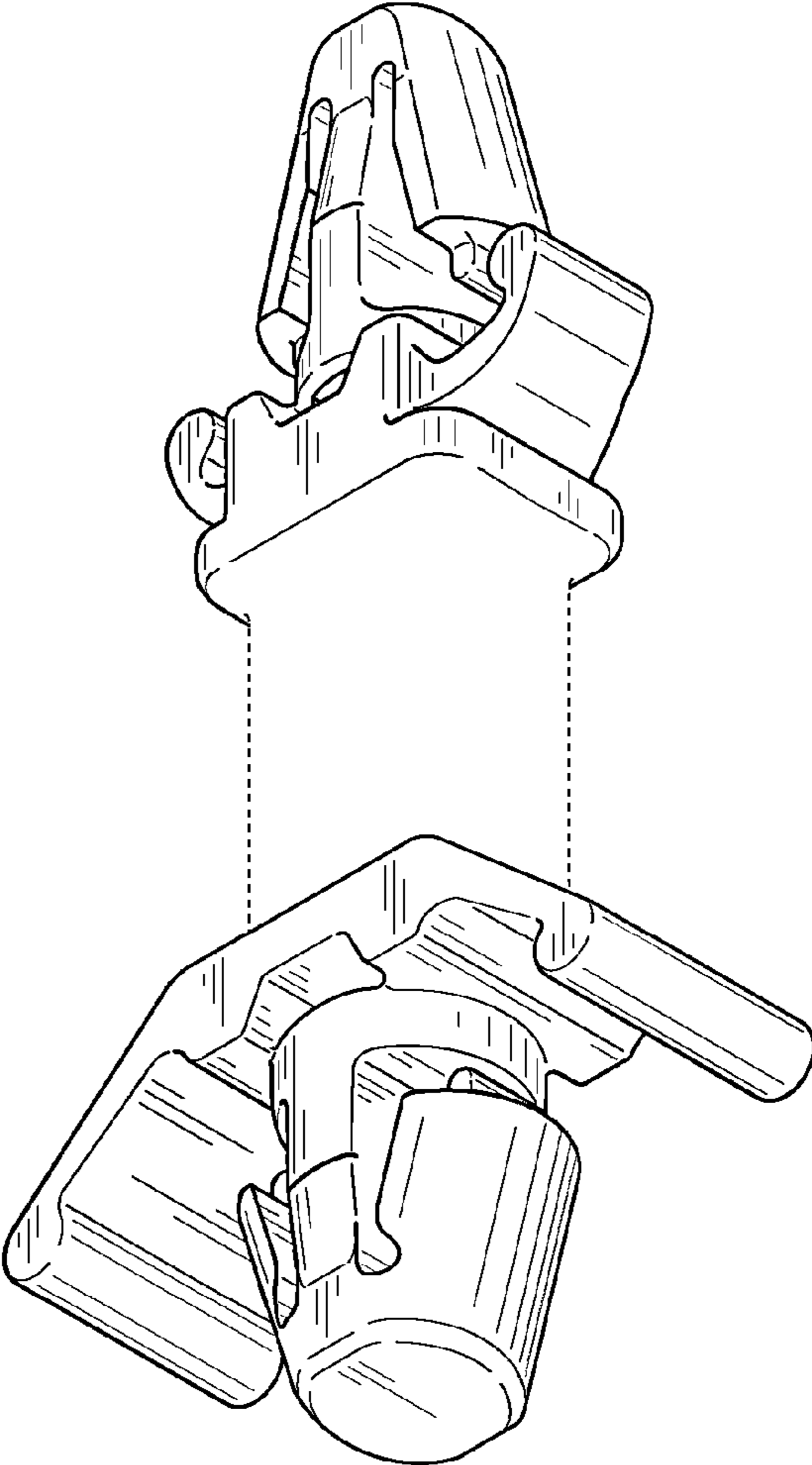
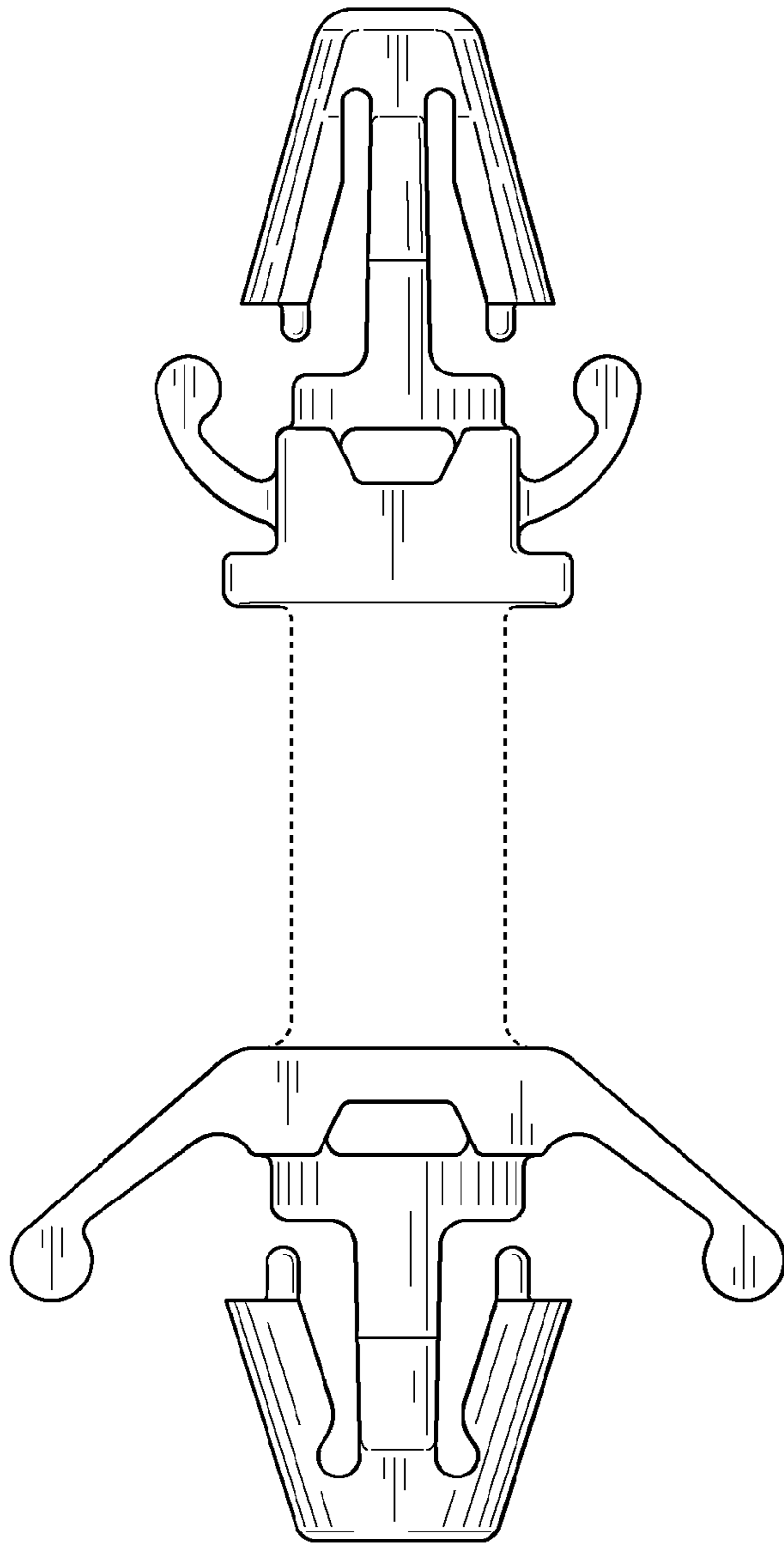
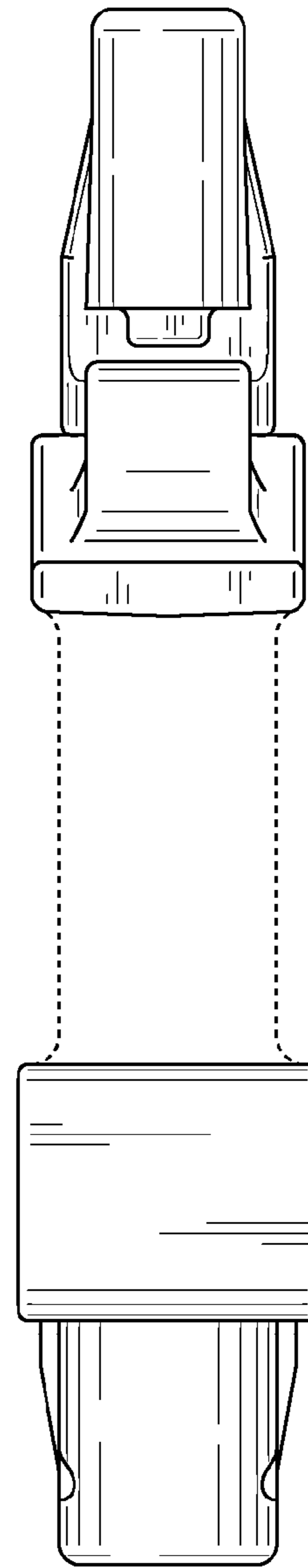


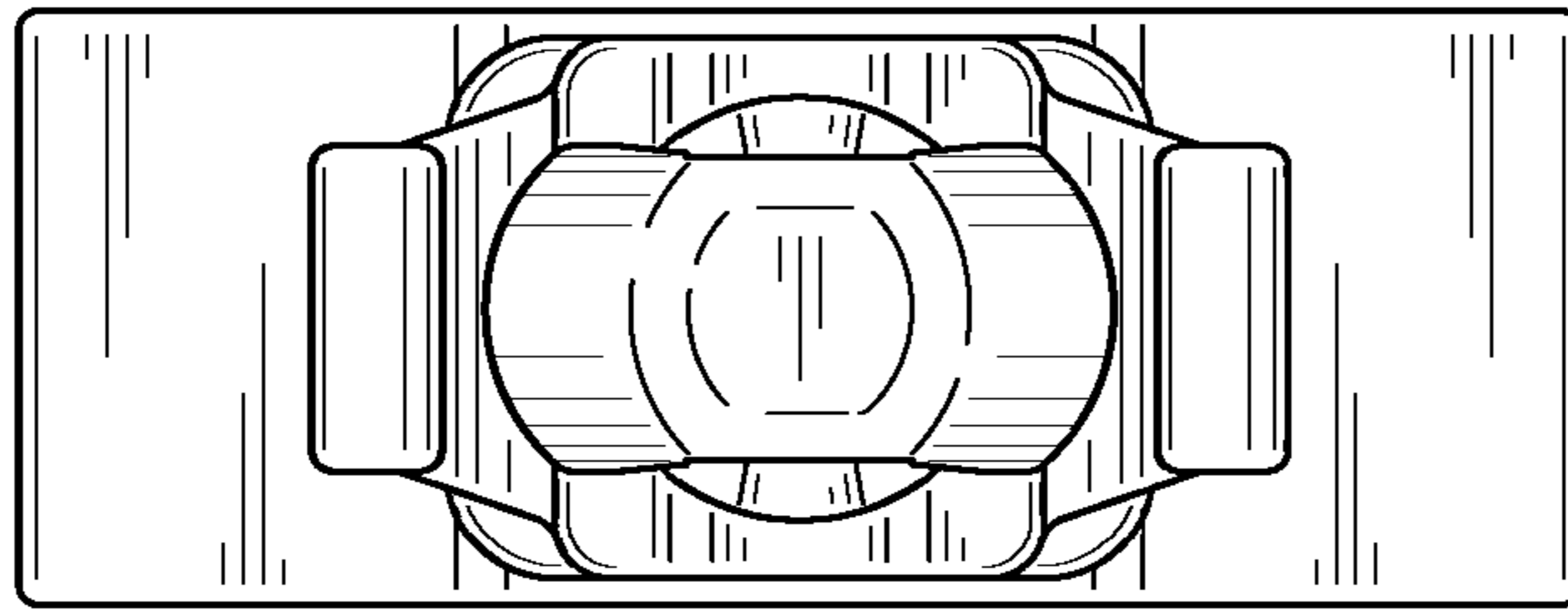
FIG. 2



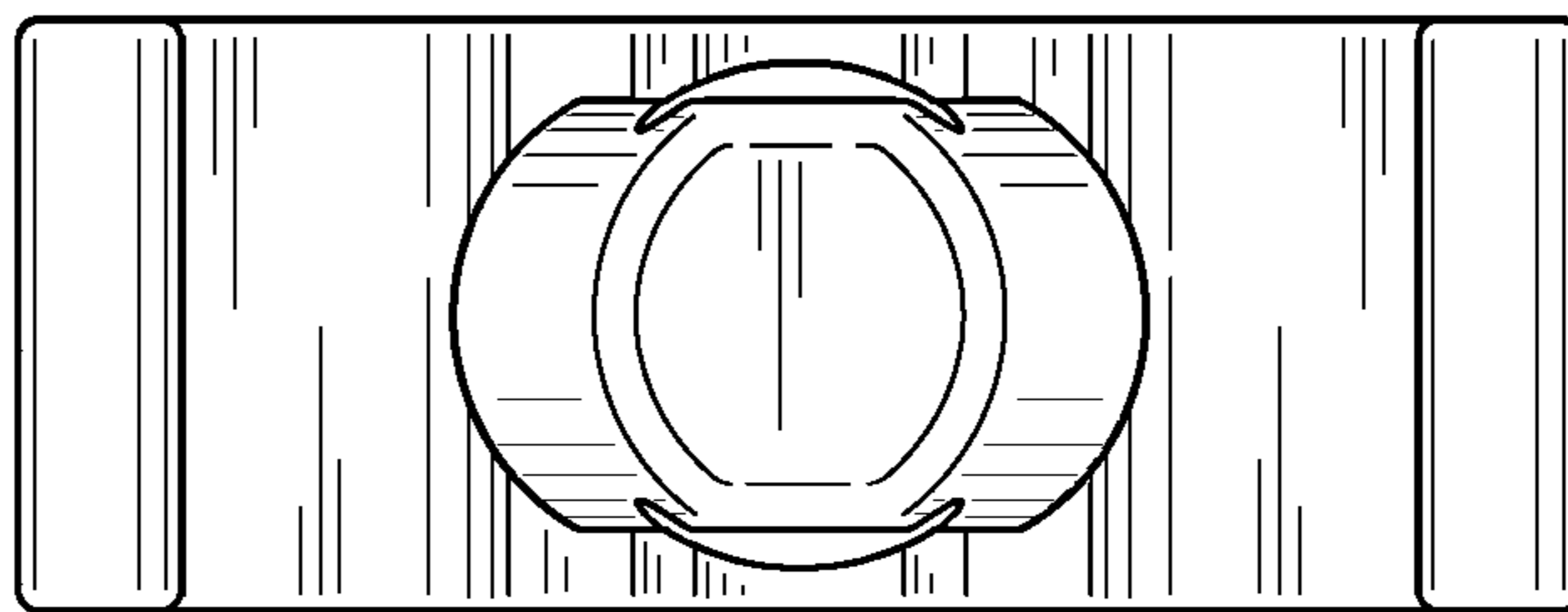
*FIG. 3*



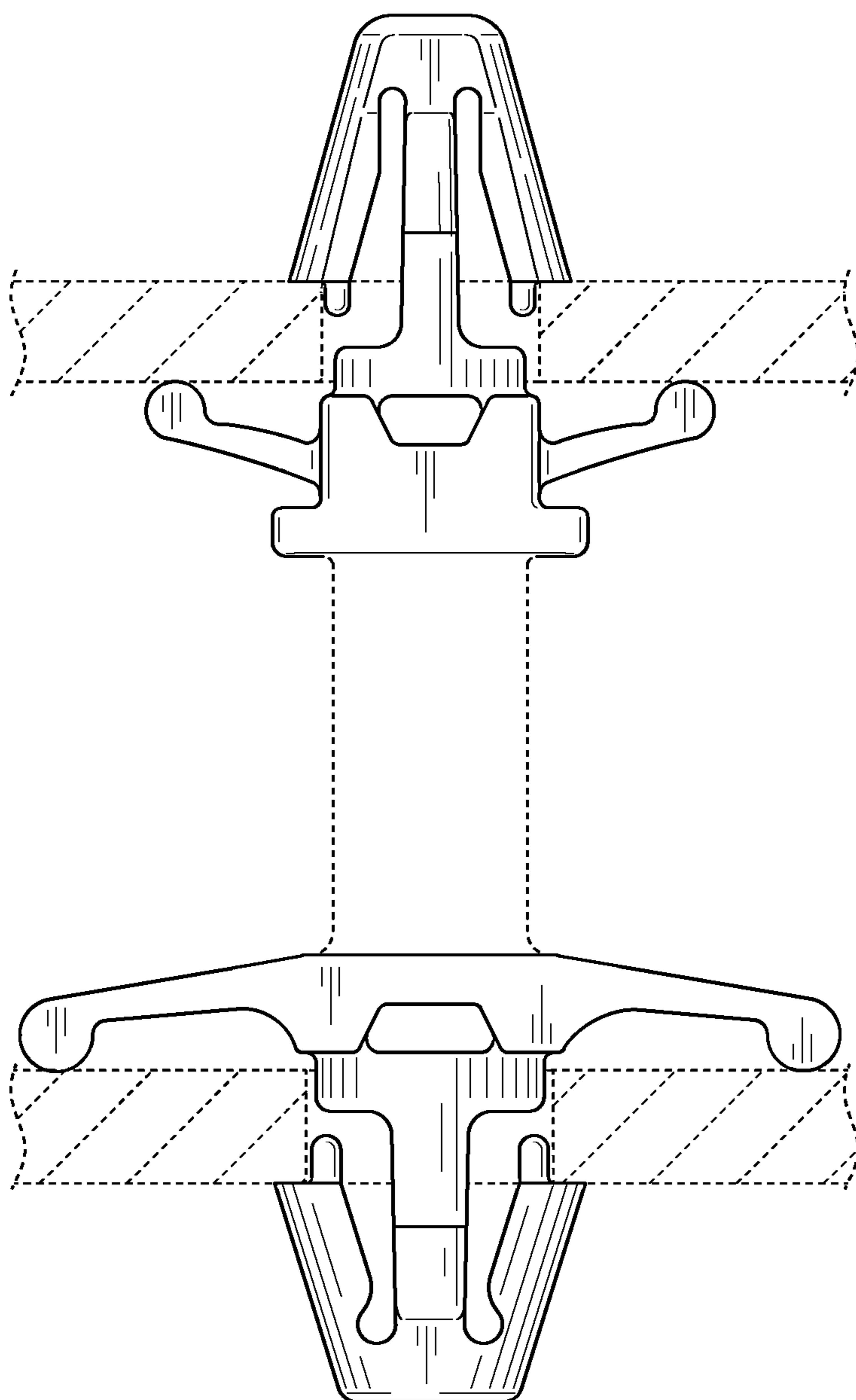
*FIG. 4*



*FIG. 5*



*FIG. 6*



*FIG. 7*