



US00D734127S

(12) **United States Design Patent**
Harman et al.

(10) **Patent No.:** **US D734,127 S**
(45) **Date of Patent:** **** Jul. 14, 2015**

(54) **FASTENING DEVICE FOR SAMPLER**

(75) Inventors: **Christopher Harman**, Oslo (NO);
Kevin V. Thomas, Kolsås (NO); **Ian Allan**, Slemmestad (NO); **Malcom Reid**, Oslo (NO)

(73) Assignee: **NIVA** (NO)

(**) Term: **14 Years**

(21) Appl. No.: **29/424,679**

(22) Filed: **Jun. 14, 2012**

(30) **Foreign Application Priority Data**

Jan. 16, 2012 (NO) 20120023

(51) **LOC (10) Cl.** **08-05**

(52) **U.S. Cl.**
USPC **D8/349**

(58) **Field of Classification Search**
USPC D8/349, 350, 353, 354, 355, 356, 359,
D8/366, 367, 373, 94; 248/200, 205.2,
248/205.3, 346, 346.1, 346.3, 500;
D14/203.3, 341, 389, 496; 428/98,
428/141; 52/182, 188, 189, 191, 506.5,
52/586.1, 702, 712, 745.06; D10/80, 81,
D10/94, 96; 422/68.1, 70, 79, 82, 82.01,
422/82.02, 504

See application file for complete search history.

(56) **References Cited**

U.S. PATENT DOCUMENTS

2,277,443 A * 3/1942 Livingston 200/246
3,088,174 A * 5/1963 Kolt 264/227
4,086,378 A * 4/1978 Kam et al. 428/34.5

D284,084 S * 6/1986 Ferrara, Jr. D14/389
4,634,216 A * 1/1987 Calevo et al. 385/65
4,808,234 A * 2/1989 McKay et al. 134/21
5,149,339 A * 9/1992 Collins, Jr. 95/70
5,386,964 A * 2/1995 Mayo 248/346.01
5,493,157 A * 2/1996 Nakamura 310/67 R
6,068,902 A * 5/2000 Vasiliev et al. 428/36.3
6,894,418 B2 * 5/2005 Jones et al. 310/208
D654,497 S * 2/2012 Lee D14/341
D661,707 S * 6/2012 Akana et al. D14/496
D667,399 S * 9/2012 Koh D14/341
2005/0052831 A1 * 3/2005 Chen 361/680
2010/0313514 A1 * 12/2010 Paradis et al. 52/578
2010/0321894 A1 * 12/2010 Wang et al. 361/709
2012/0186165 A1 * 7/2012 Wilsey 52/63
2012/0194448 A1 * 8/2012 Rothkopf 345/173

* cited by examiner

Primary Examiner — Eric Goodman

Assistant Examiner — Bao-Yen Nguyen

(74) *Attorney, Agent, or Firm* — Schwegman Lundberg & Woessner, P.A.

(57) **CLAIM**

The ornamental design for a fastening device for sampler, as shown and described.

DESCRIPTION

FIG. 1 shows a perspective view of a fastening device for sampler.

FIG. 2 shows a top view of the fastening device for sampler.

FIG. 3 shows a side view of the fastening device for sampler.

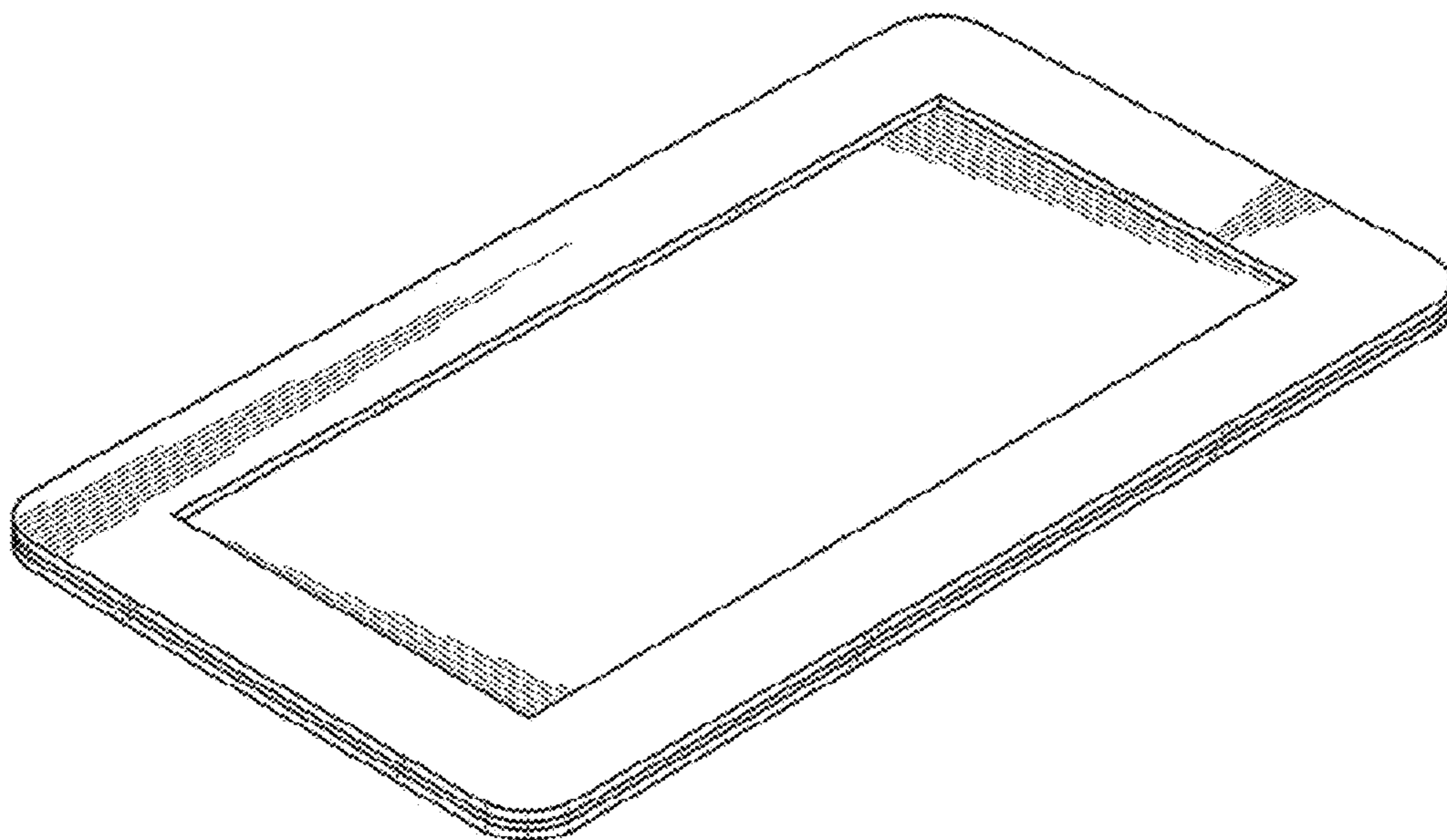
FIG. 4 shows a front view of the fastening device for sampler.

FIG. 5 shows a back view of the fastening device for sampler.

FIG. 6 shows a perspective view of an inwardly arced fastening device for sampler, in a state of use; and,

FIG. 7 shows a perspective view of an outwardly arced fastening device for sampler, in a state of use.

1 Claim, 6 Drawing Sheets



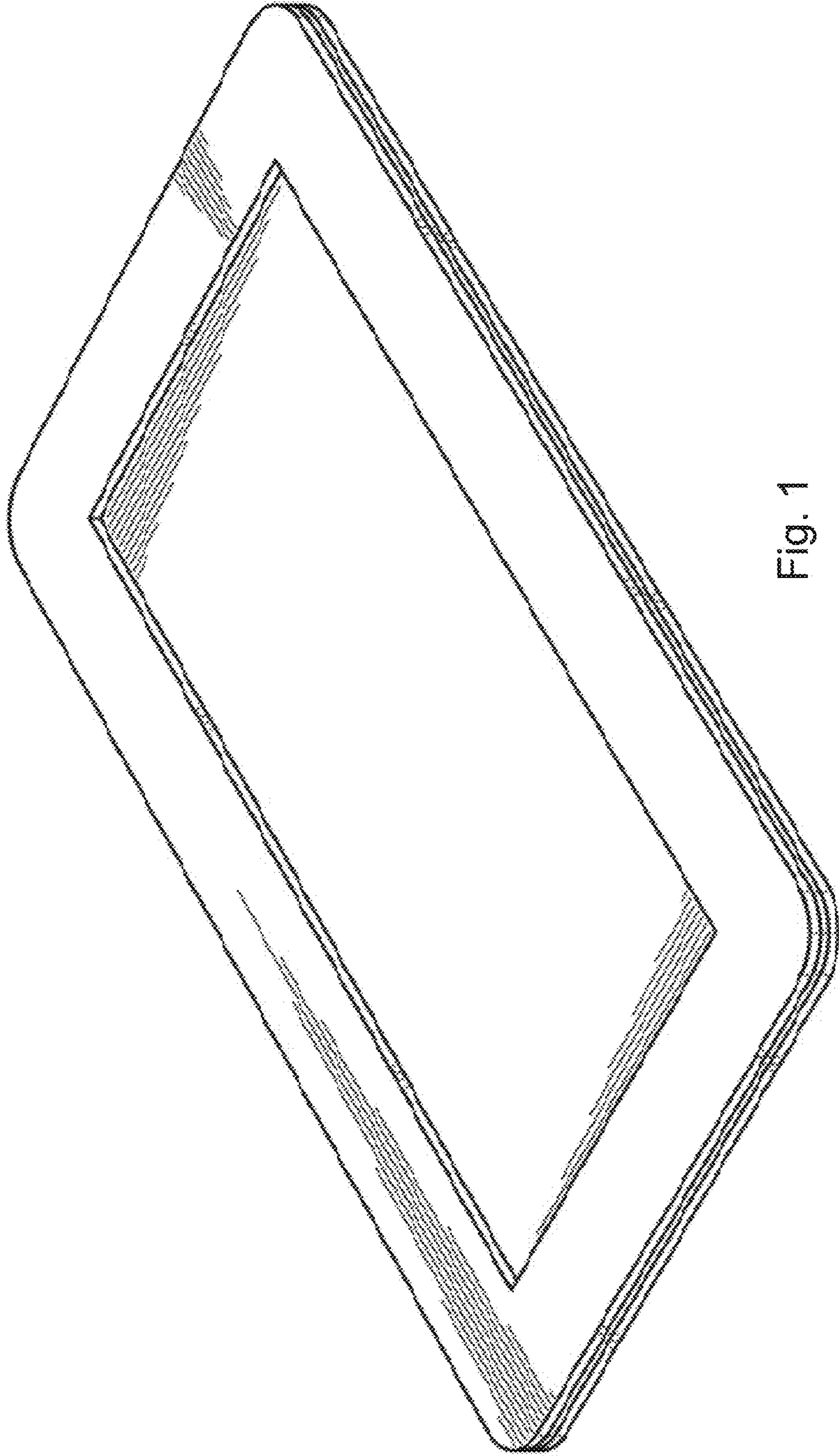


Fig. 1

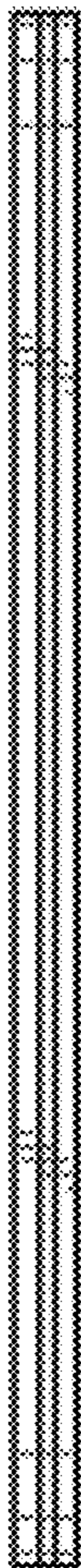


Fig. 2



Fig. 3

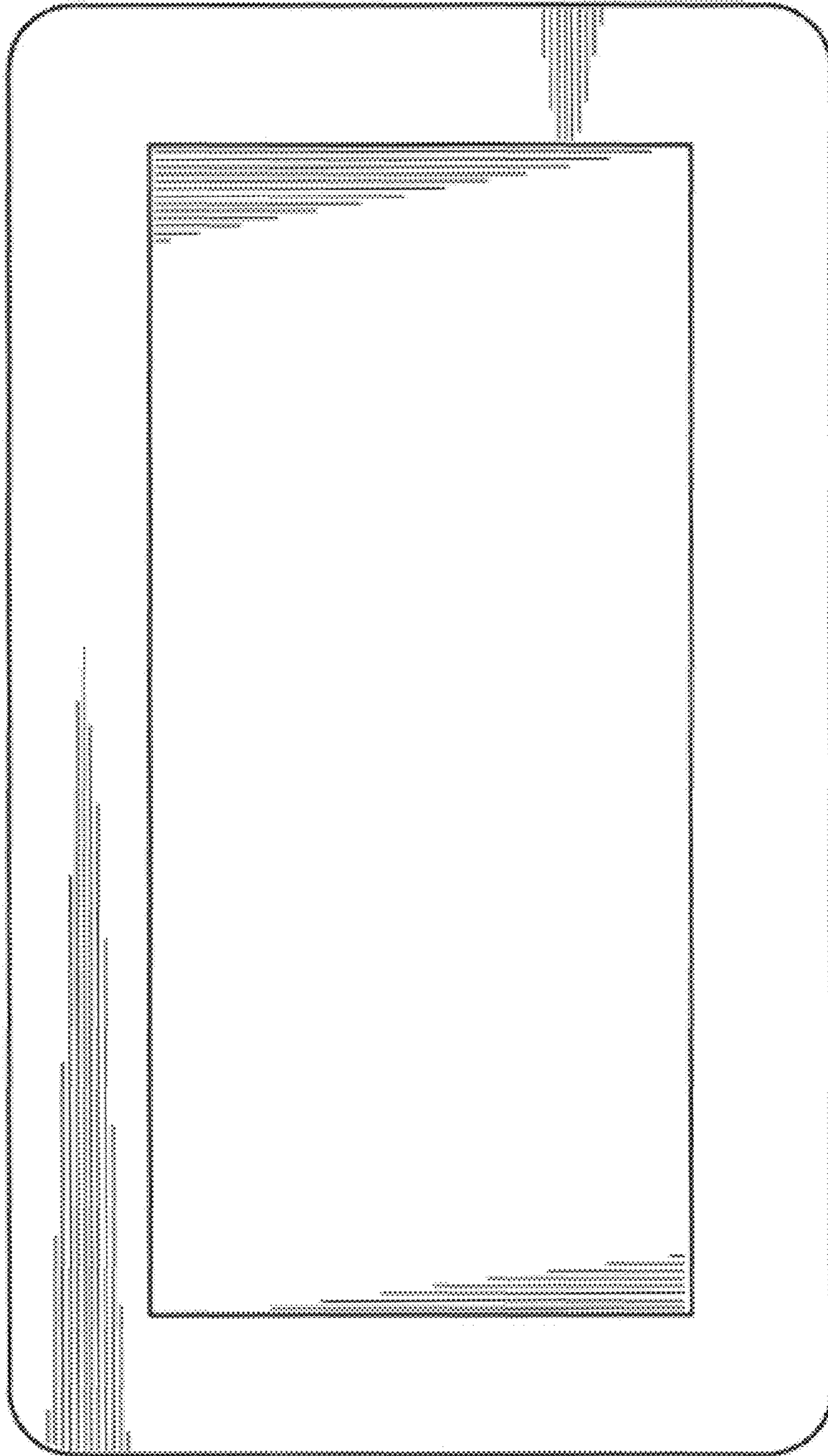


Fig. 4

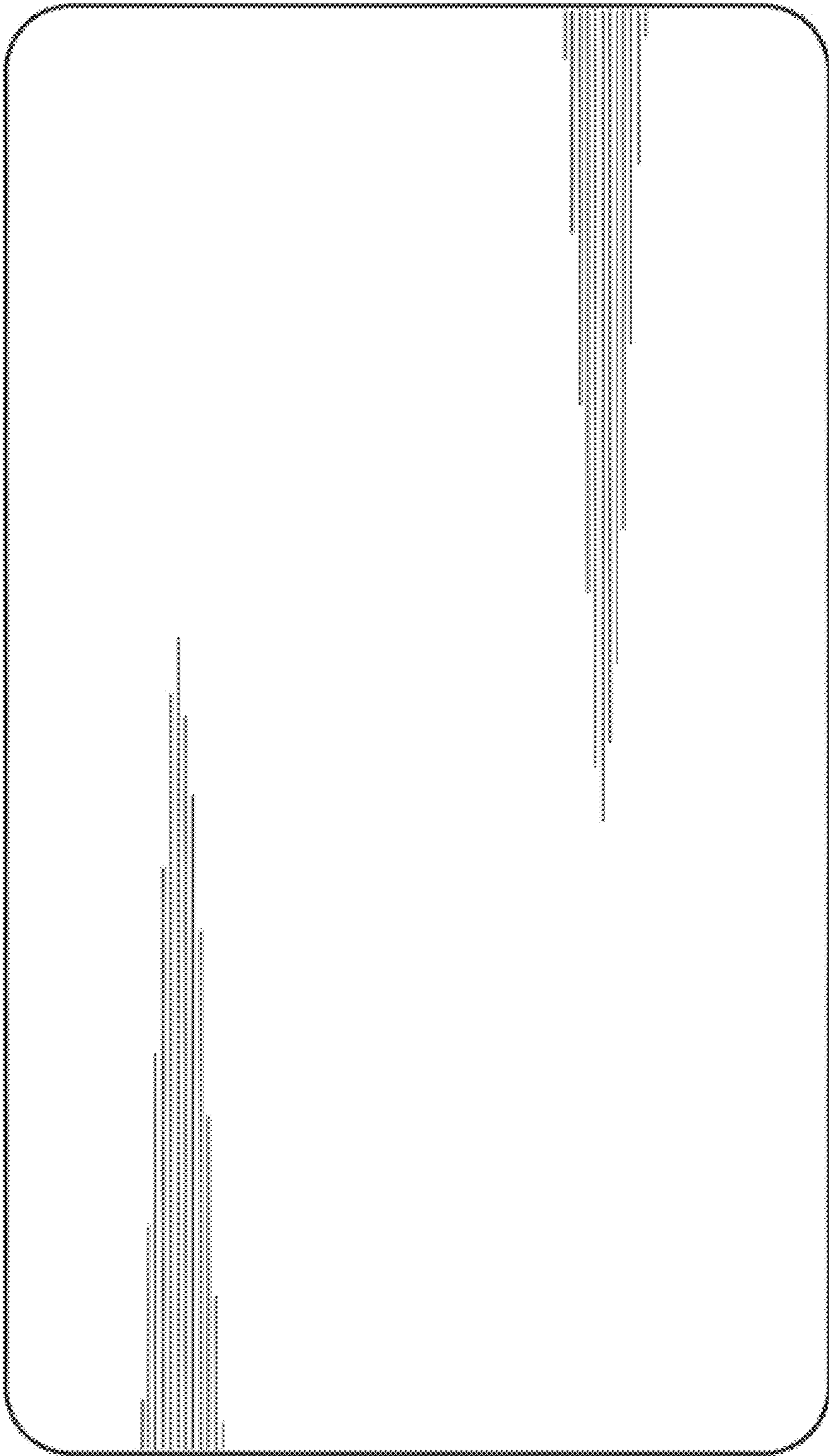


Fig. 5

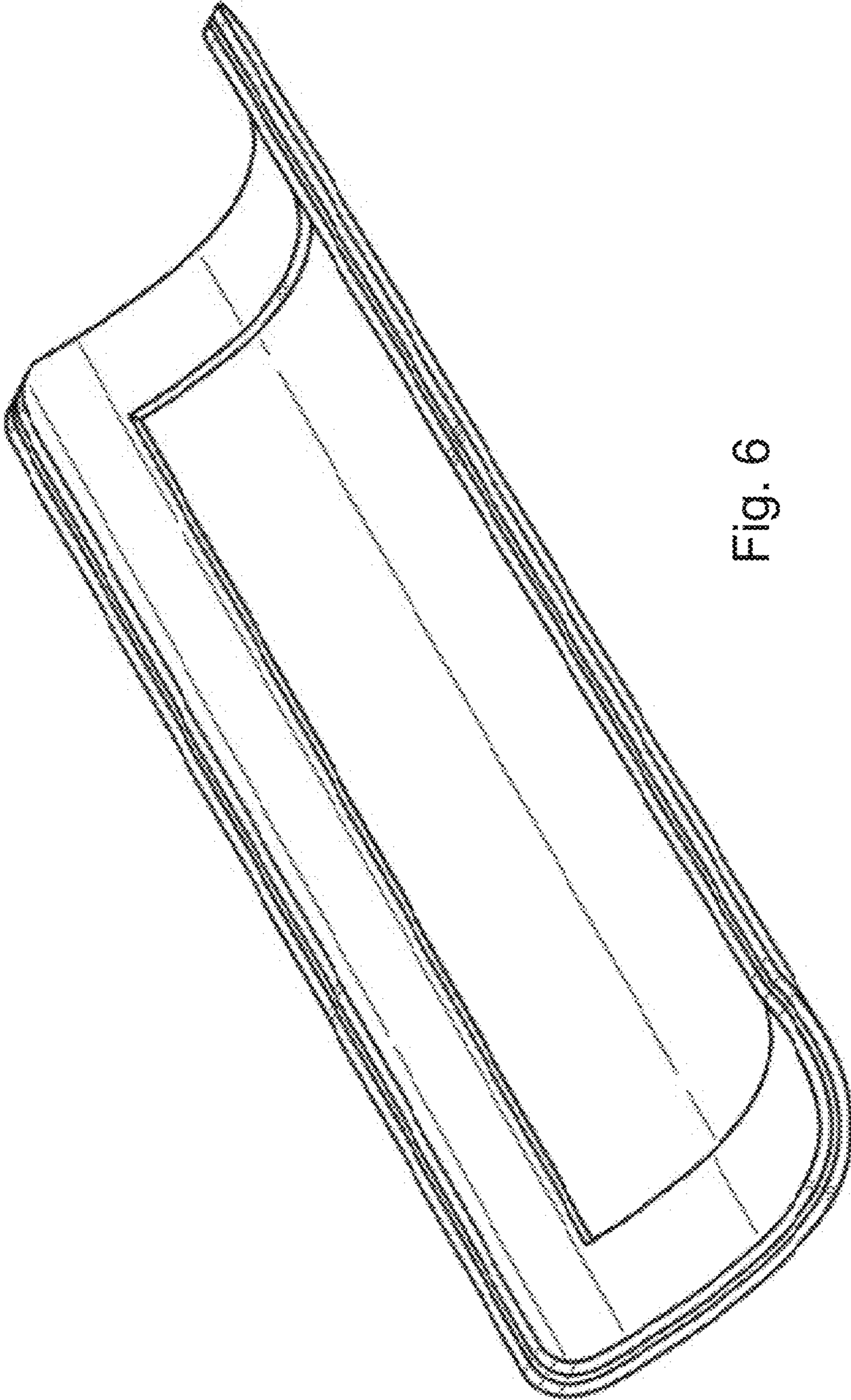


Fig. 6

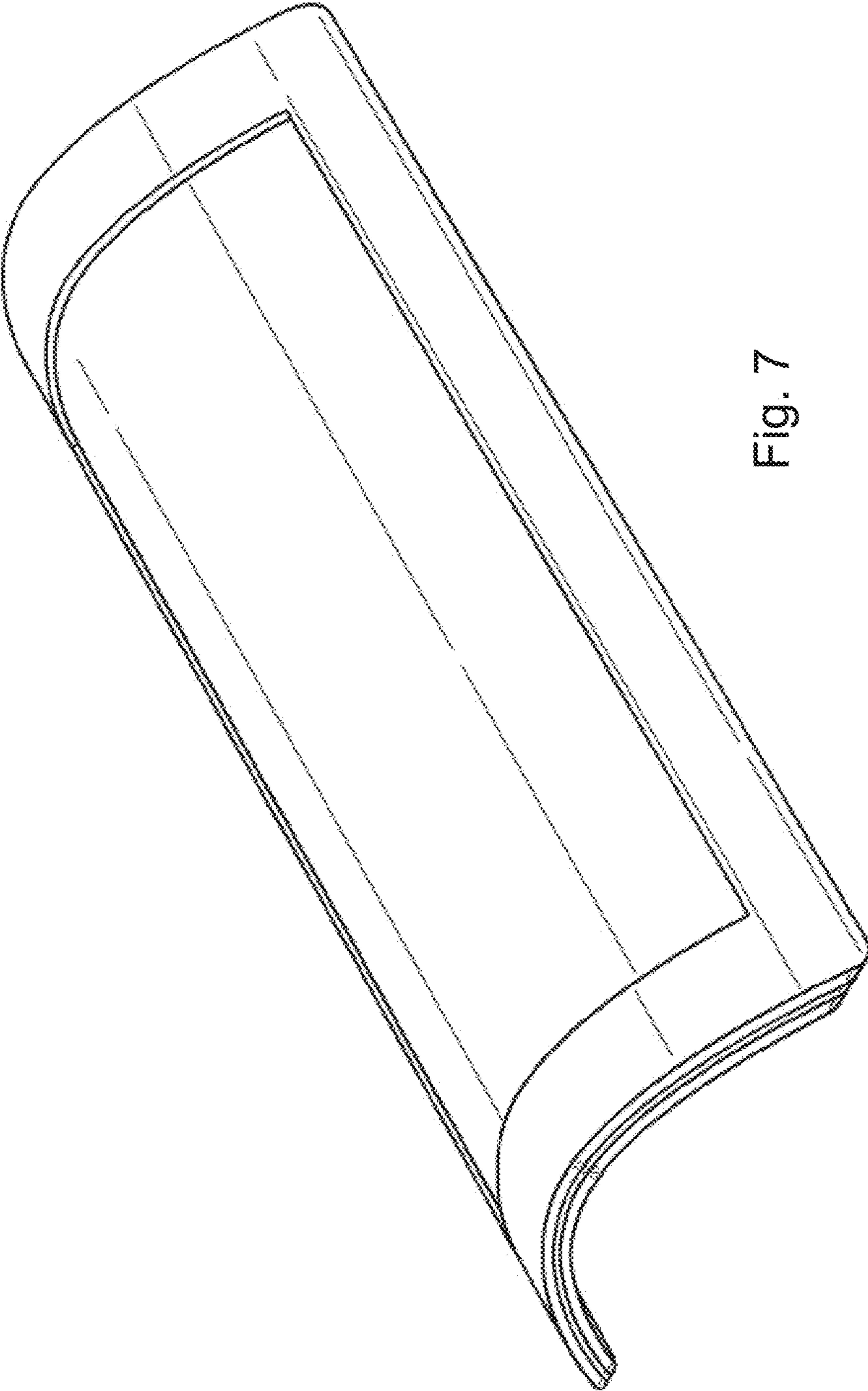


Fig. 7