



US00D734124S

(12) **United States Design Patent**  
**Corpuz, Jr. et al.**

(10) **Patent No.:** **US D734,124 S**  
(45) **Date of Patent:** **\*\* Jul. 14, 2015**

(54) **HINGE**

(71) Applicant: **Kohler Co.**, Kohler, WI (US)

(72) Inventors: **Roque M. Corpuz, Jr.**, Sheboygan, WI (US); **Greg L. Parris**, Medina, TN (US); **Adam M. Moller**, Sheboygan, WI (US); **Karger D. Kohler**, Kohler, WI (US); **James L. Marlowe**, Troy, TN (US); **Alan T. McDonald**, Sheboygan, WI (US)

(73) Assignee: **Kohler Co.**, Kohler, WI (US)

(\*\*) Term: **14 Years**

(21) Appl. No.: **29/471,327**

(22) Filed: **Oct. 30, 2013**

(51) **LOC (10) Cl.** ..... **08-06**

(52) **U.S. Cl.**  
USPC ..... **D8/323**

(58) **Field of Classification Search**  
USPC ..... 220/575; 206/521.15; 24/302, 16 R, 24/306, 17 R; 439/501; 381/374; D14/217, D14/205; D8/323, 327, 323.349, 356; 16/225, 250, 682, 309, 235, 275, 244, 16/379, 390, 430, 241, 238, 245, 236, 243, 16/242, 385, 331, 274; D23/303; 4/236, 4/240

See application file for complete search history.

(56) **References Cited**

**U.S. PATENT DOCUMENTS**

D712,717 S	*	9/2014	Thrush et al.	.....	D8/323
D715,620 S	*	10/2014	Tung	.....	D8/323
D717,634 S	*	11/2014	Lu	.....	D8/323

\* cited by examiner

*Primary Examiner* — Cynthia Underwood

(74) *Attorney, Agent, or Firm* — Foley & Lardner LLP

(57) **CLAIM**

We claim the ornamental design for a hinge, as shown and described.

**DESCRIPTION**

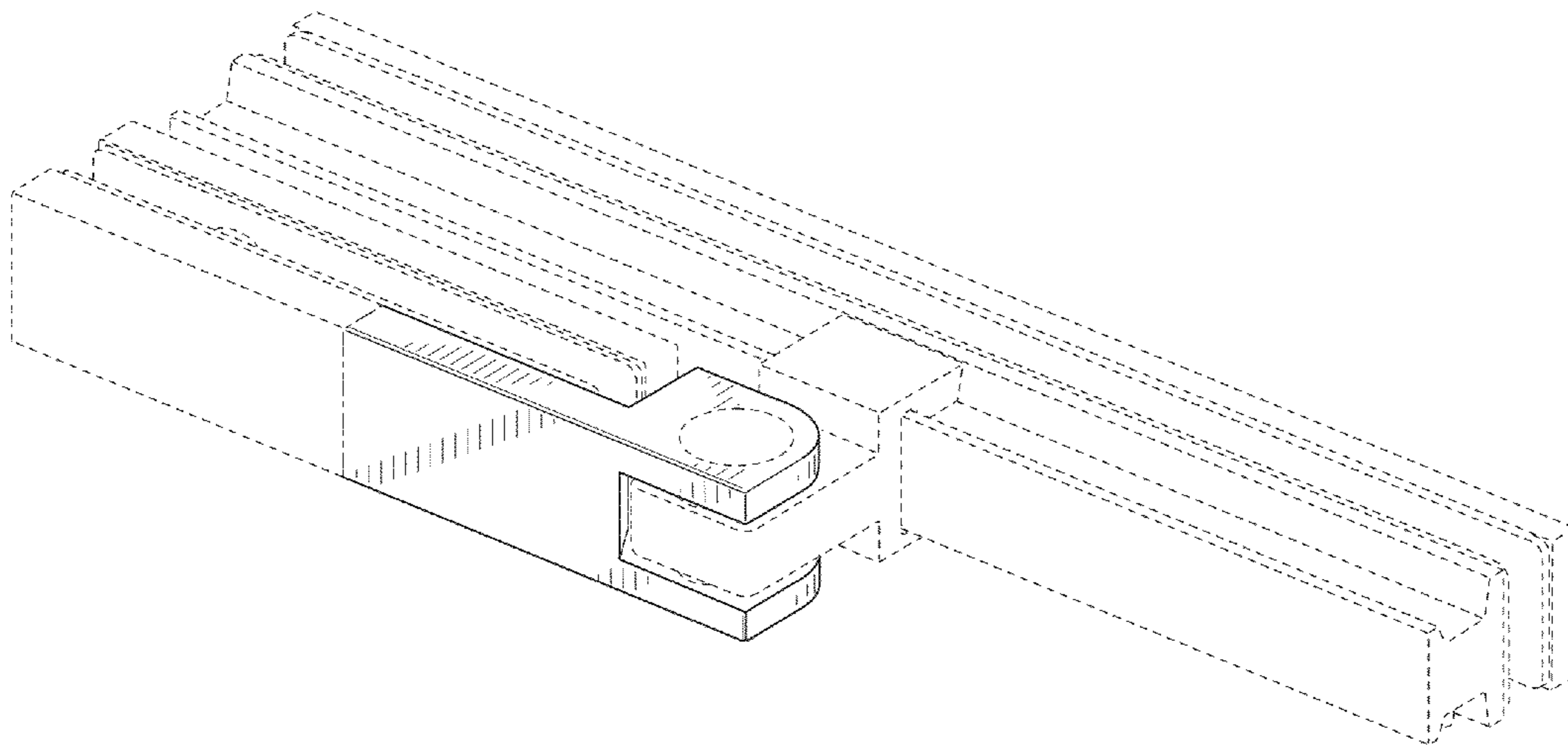
FIG. 1 is a perspective view of the claimed design;  
FIG. 2 is a front view thereof;  
FIG. 3 is a rear view thereof;  
FIG. 4 is a top view thereof;  
FIG. 5 is a bottom view thereof;  
FIG. 6 is a side view thereof; and,  
FIG. 7 is another side view thereof.

The ornamental design which is claimed is shown in solid lines in the drawings.

The broken lines represent portions of the design that form no part of the claimed design. The long dash-short dash represents a boundary of the claim.

While the accompanying drawings illustrate one or more exemplary embodiments, it should be understood that according to other exemplary embodiments that should be considered to be within the position of the inventors of the present application at the time this application is being filed, it is contemplated that any illustrated solid lines (or portion thereof) may be converted to broken lines and that any illustrated broken lines (or portions thereof) may be converted to solid lines so as to claim or disclaim portions, components, or sub-components of the design shown. It is further contemplated that shading may be added or removed to claim or disclaim the corresponding surfaces.

**1 Claim, 5 Drawing Sheets**



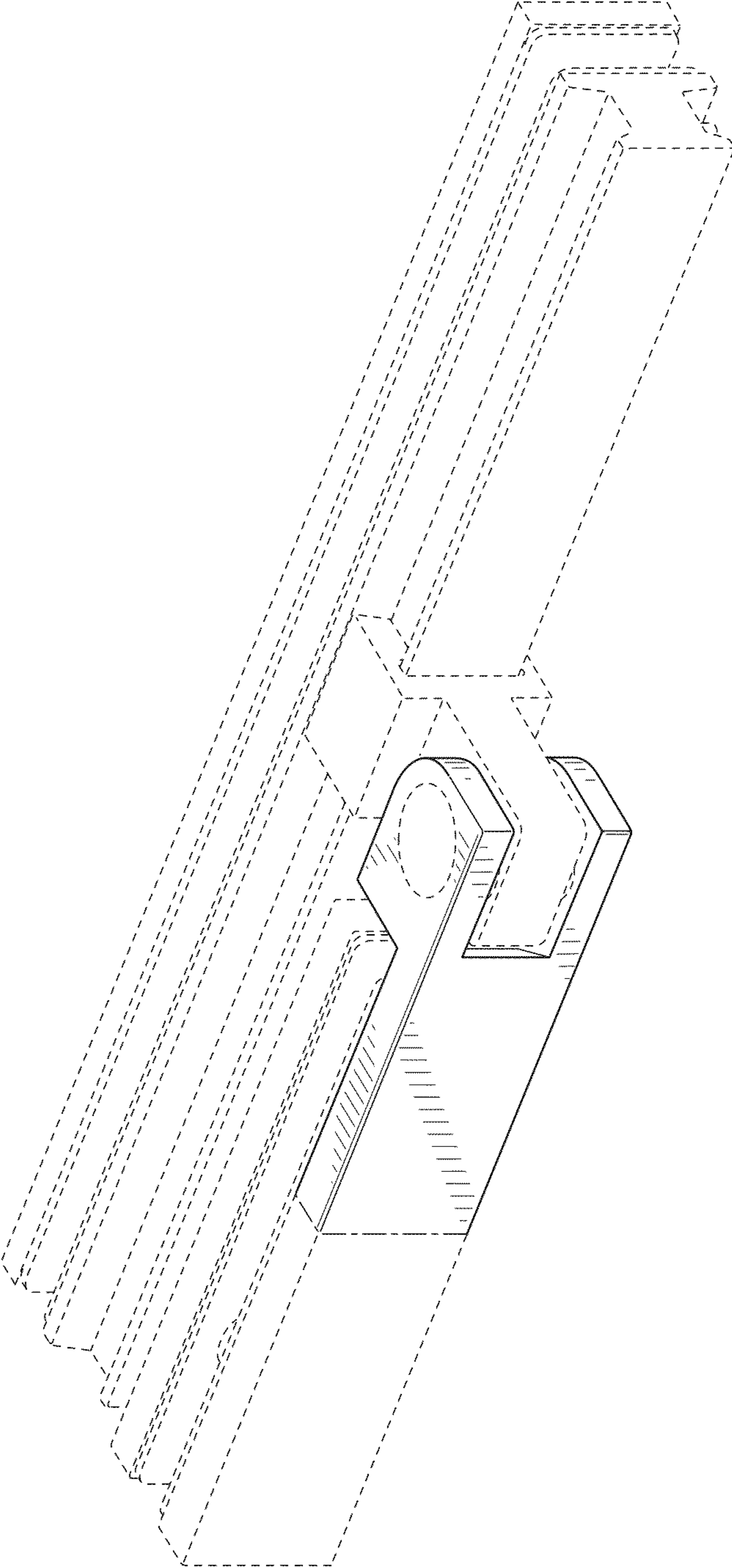


FIG. 1

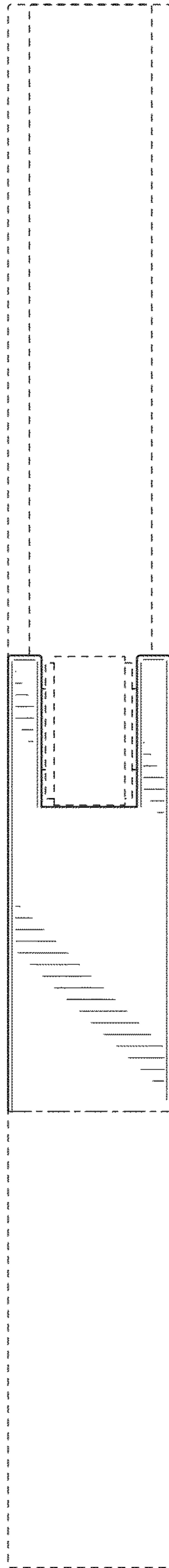


FIG. 2

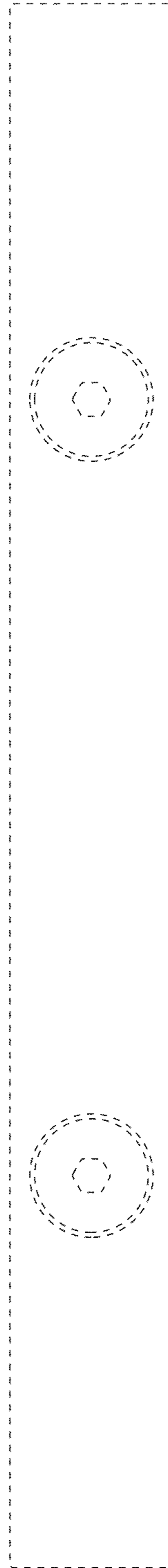


FIG. 3

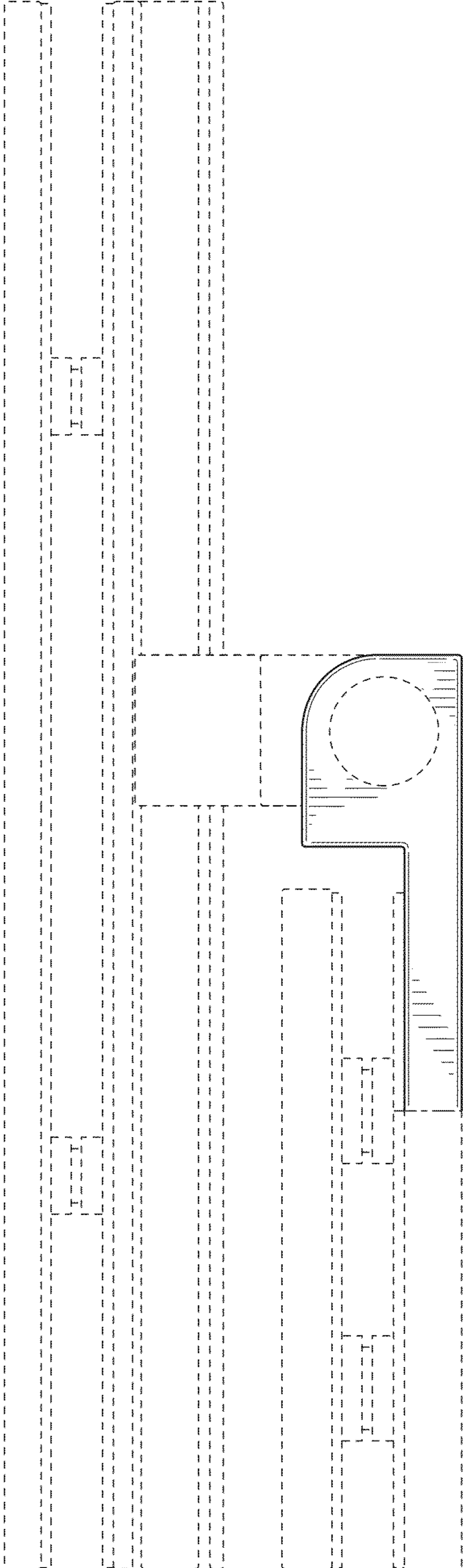


FIG. 4

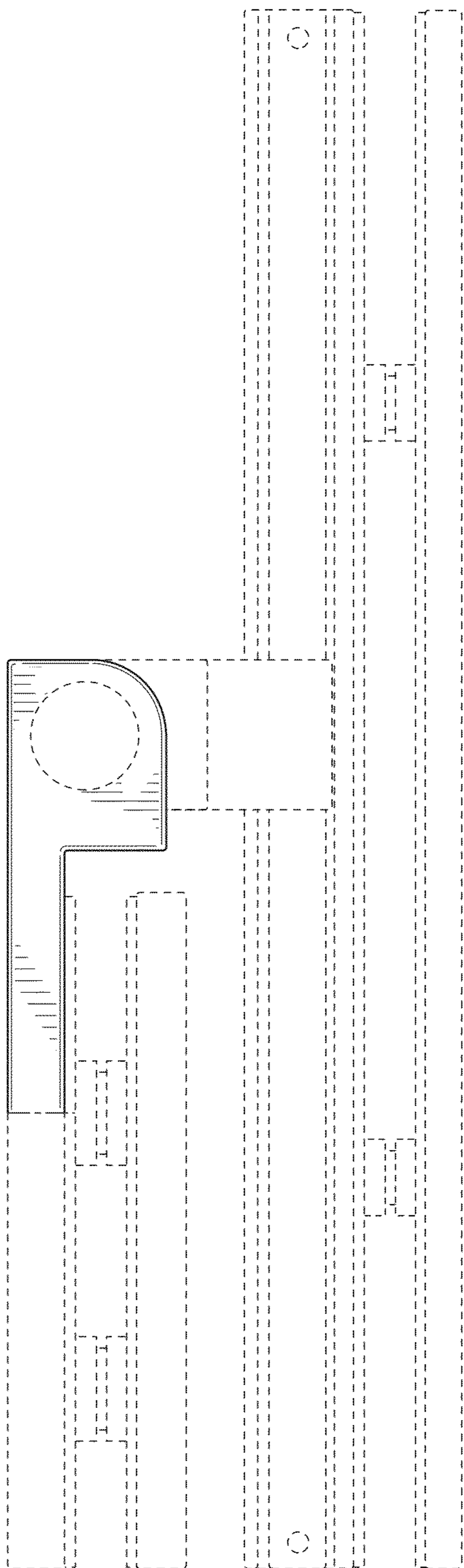
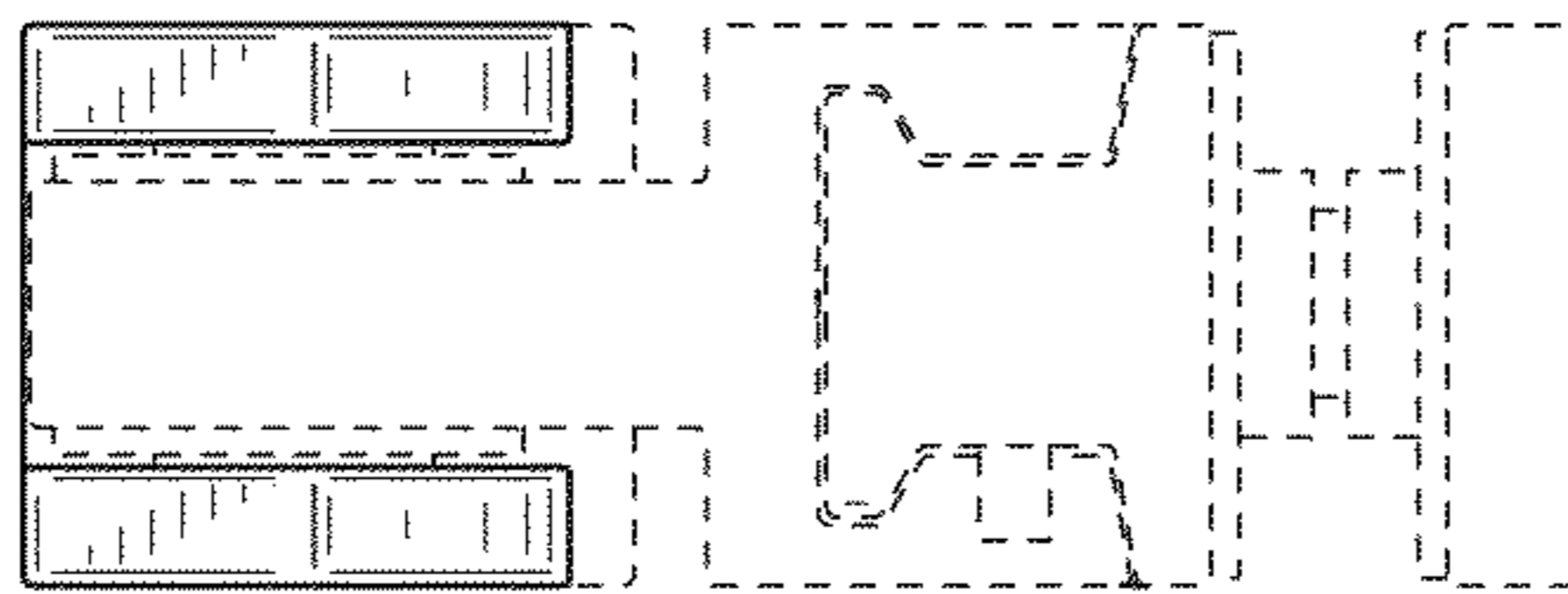
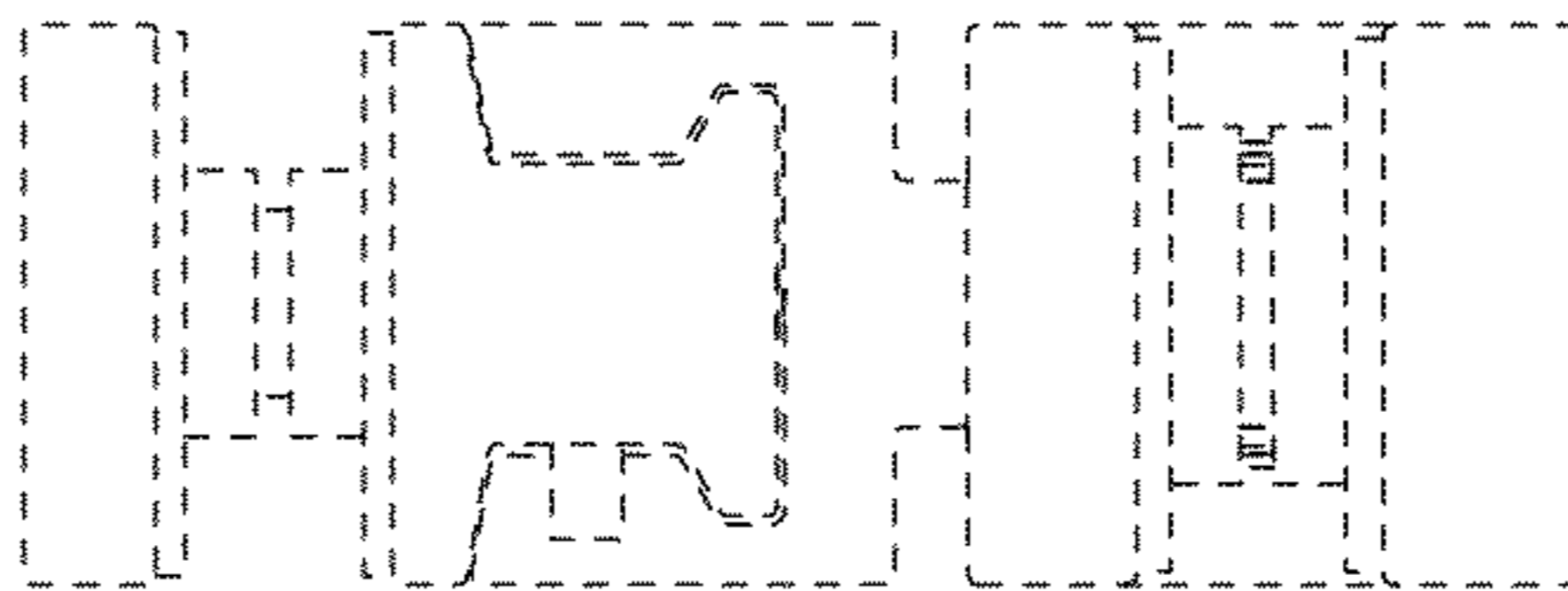


FIG. 5





**FIG. 6**



**FIG. 7**