



US00D734123S

(12) **United States Design Patent**
Chen

(10) **Patent No.:** **US D734,123 S**

(45) **Date of Patent:** **** Jul. 14, 2015**

(54) **LEVER**

(71) Applicant: **KWIKSET CORPORATION**, Lake Forest, CA (US)

(72) Inventor: **Andy Chen**, Xiamen (CN)

(73) Assignee: **Kwikset Corporation**, Lake Forest, CA (US)

(**) Term: **14 Years**

(21) Appl. No.: **29/488,413**

(22) Filed: **Apr. 18, 2014**

(51) **LOC (10) Cl.** **08-06**

(52) **U.S. Cl.**
USPC **D8/308**

(58) **Field of Classification Search**
USPC D8/300-302, 307-309, 310, 311,
D8/DIG. 10; D23/250, 252; 292/336.3;
74/523, 543; 70/192, 201, 206, 207;
16/110.1, 412, 416, DIG. 30

See application file for complete search history.

(56) **References Cited**

U.S. PATENT DOCUMENTS

D509,422	S	*	9/2005	Gehry	D8/300
D612,711	S	*	3/2010	Mansikkamaa	D8/363
D660,128	S	*	5/2012	Lin et al.	D8/308
D709,348	S	*	7/2014	Roberts, III	D8/308
2002/0050184	A1	*	5/2002	Suzuki	74/523

* cited by examiner

Primary Examiner — Derrick Holland

Assistant Examiner — Lauren Calve

(74) *Attorney, Agent, or Firm* — Barnes & Thornburg LLP

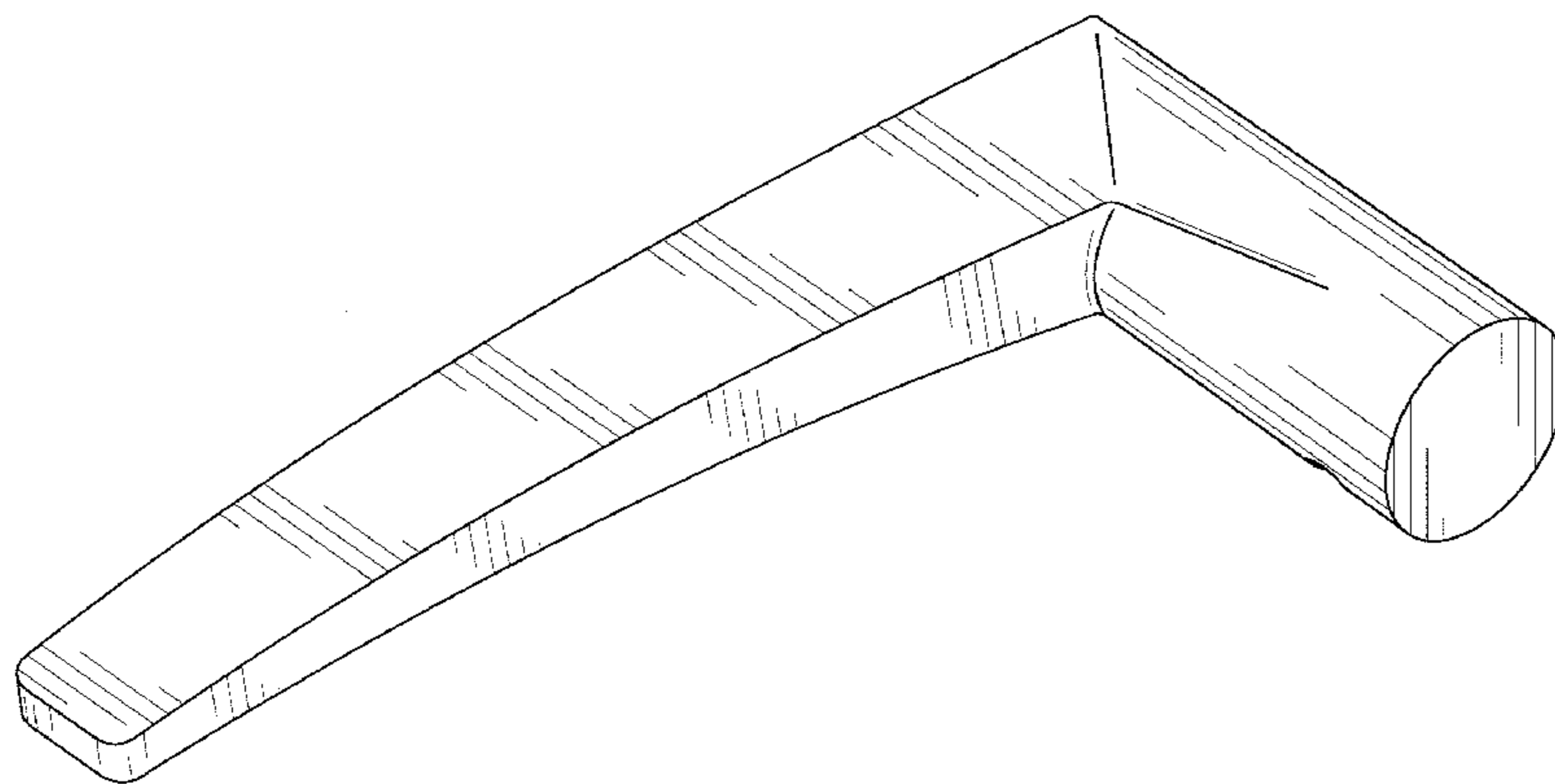
(57) **CLAIM**

What is claimed is the ornamental design for a lever, as shown and described.

DESCRIPTION

FIG. 1 is a perspective view of a lever of the new design; FIG. 2 is a right side view thereof; FIG. 3 is a left side view thereof; FIG. 4 is a bottom view thereof; FIG. 5 is a top view thereof; FIG. 6 is a front view thereof; and, FIG. 7 is a back view thereof. The broken lines shown represent unclaimed subject matter and form no part of the claimed design.

1 Claim, 5 Drawing Sheets



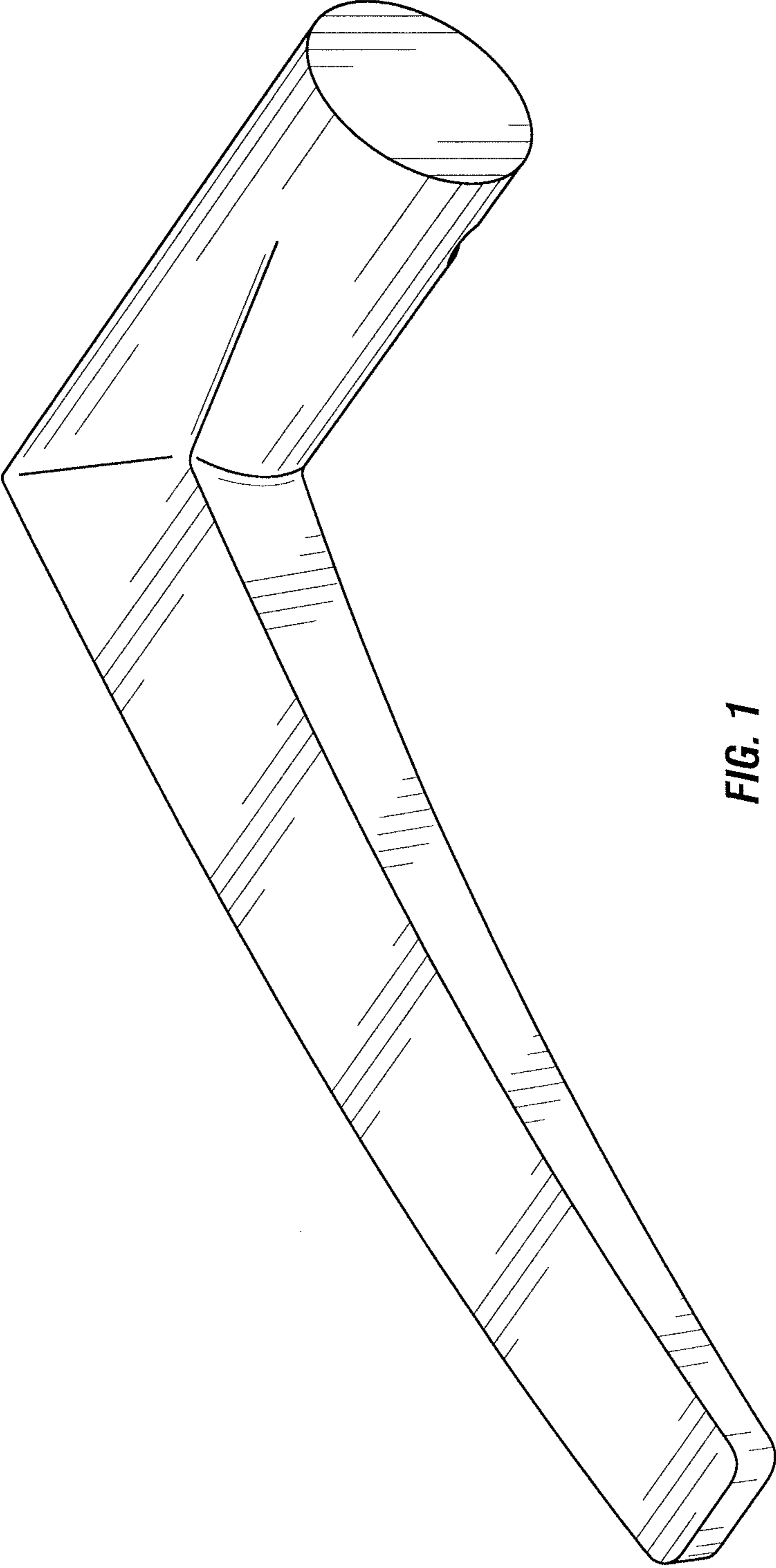


FIG. 1

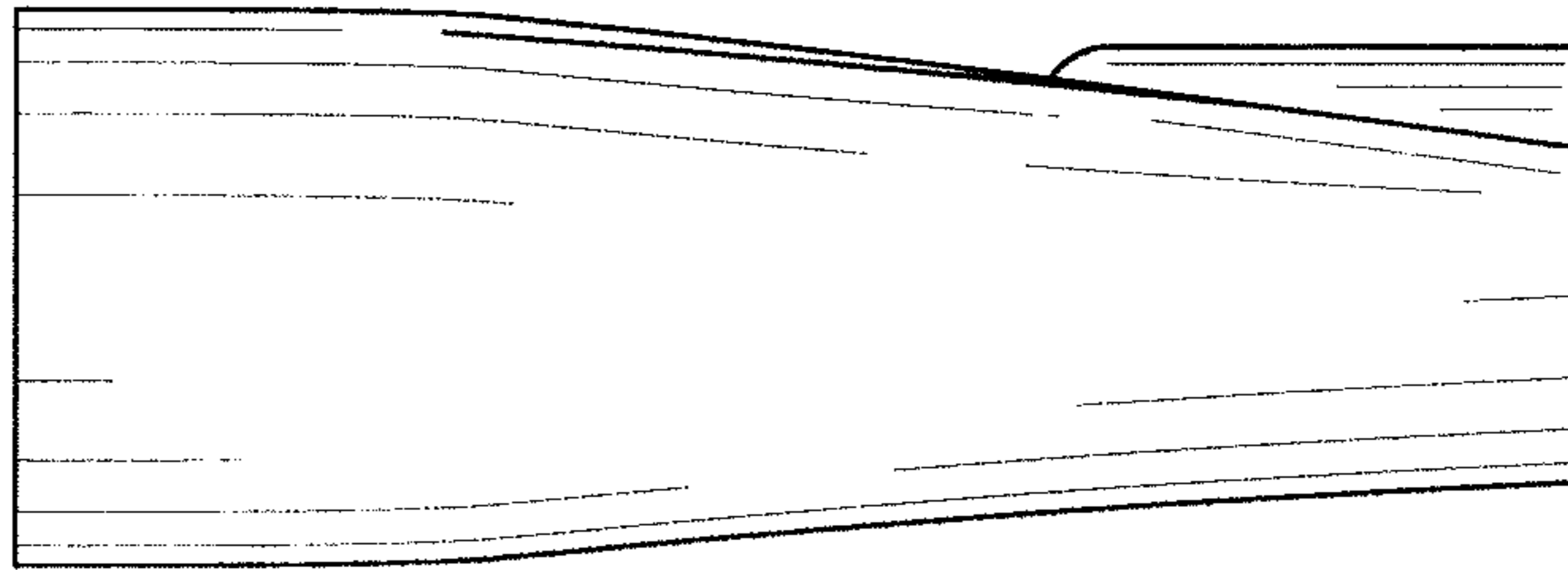


FIG. 2

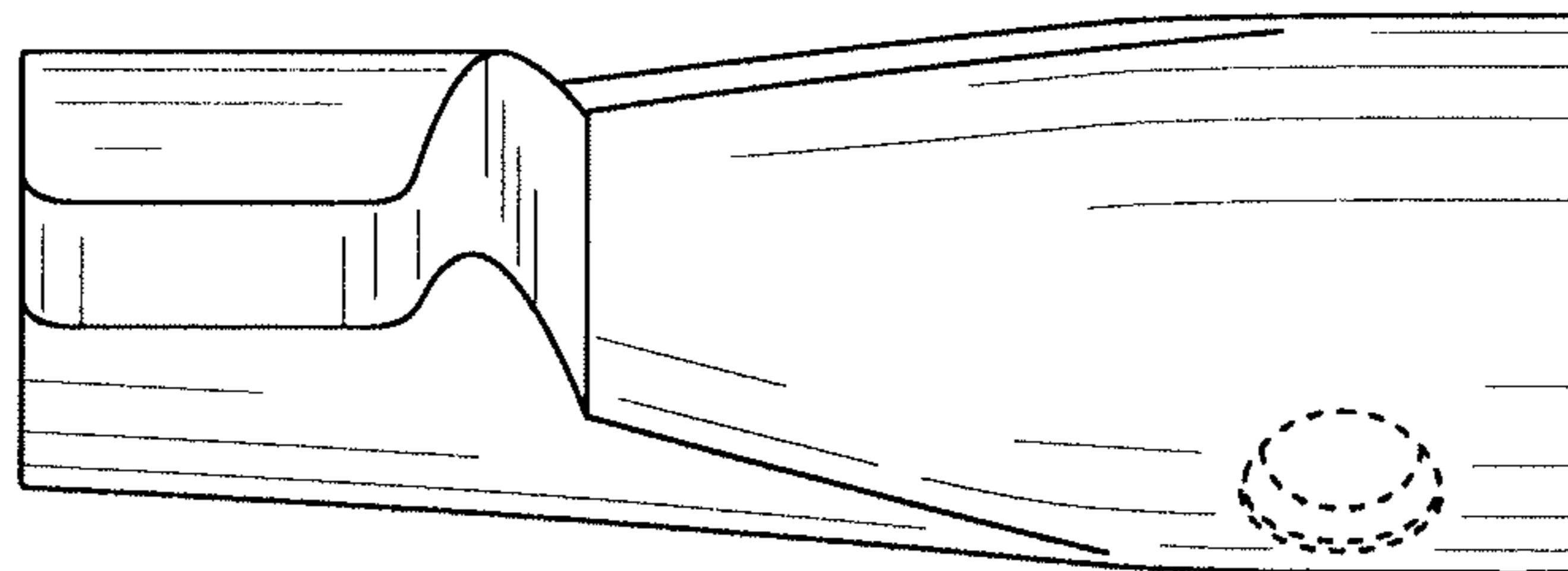


FIG. 3



FIG. 4

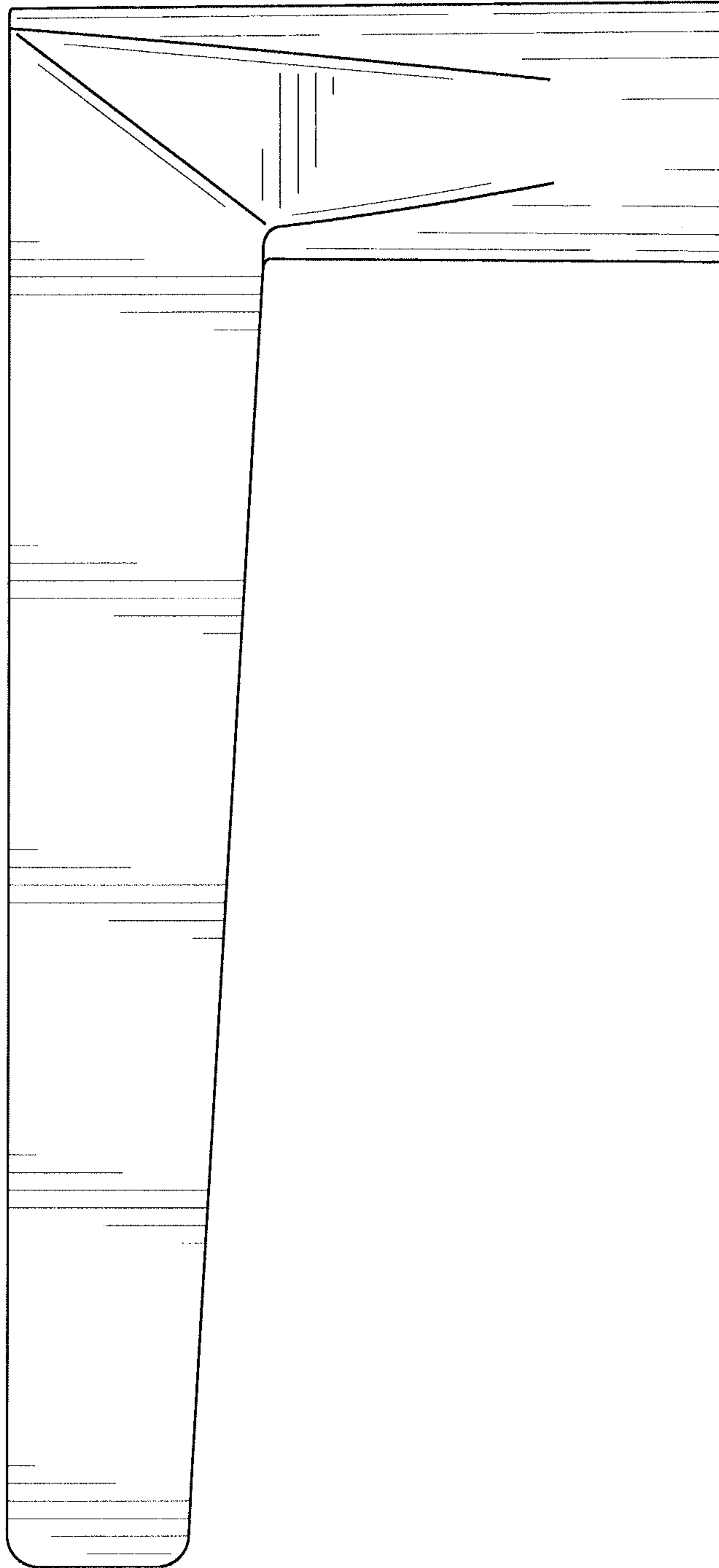


FIG. 5

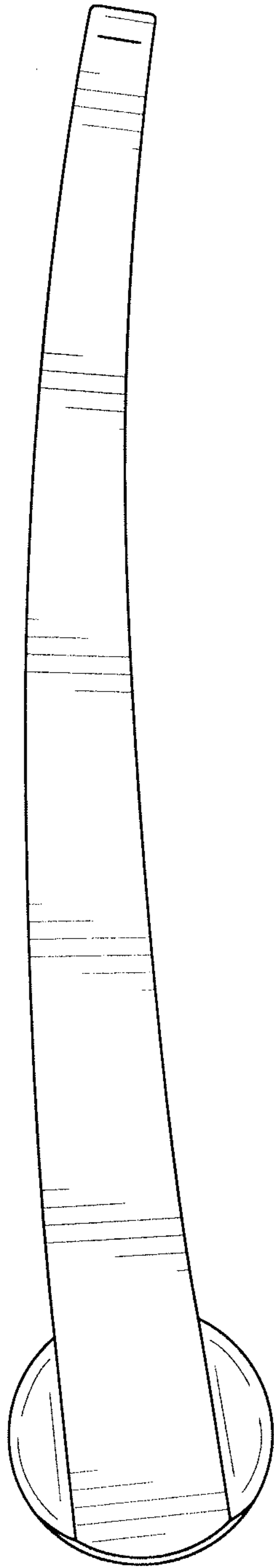


FIG. 6

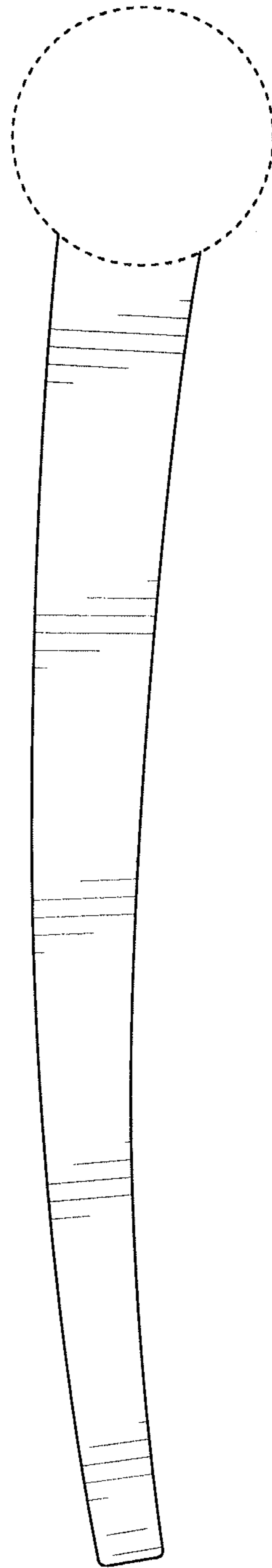


FIG. 7