

US00D734122S

(12) **United States Design Patent**  
**Hsu**

(10) **Patent No.:** **US D734,122 S**  
(45) **Date of Patent:** **\*\* Jul. 14, 2015**

(54) **LEVER**

(71) Applicant: **KWIKSET CORPORATION**, Lake Forest, CA (US)  
(72) Inventor: **Wei Hsu**, Fullerton, CA (US)  
(73) Assignee: **Kwikset Corporation**, Lake Forest, CA (US)

(\*\*) Term: **14 Years**

(21) Appl. No.: **29/488,304**

(22) Filed: **Apr. 17, 2014**

(51) **LOC (10) Cl.** ..... **08-06**

(52) **U.S. Cl.**  
USPC ..... **D8/308**

(58) **Field of Classification Search**  
USPC ..... D8/300-302, 307-309, 310, 311,  
D8/DIG. 10; D23/250, 252; 292/336.3;  
74/523, 543; 70/192, 201, 206, 207;  
16/110.1, 412, 416, DIG. 30

See application file for complete search history.

(56) **References Cited**

U.S. PATENT DOCUMENTS

4,453,753	A	*	6/1984	Fayerman et al.	.....	292/348
D311,320	S	*	10/1990	Jans	.....	D8/308
D522,102	S	*	5/2006	Fritz	.....	D23/252
D549,546	S	*	8/2007	Singtoroj	.....	D8/308
D549,548	S	*	8/2007	Roberts, III	.....	D8/308
D621,681	S	*	8/2010	Roberts, III	.....	D8/308
D698,220	S	*	1/2014	Watson	.....	D8/308

\* cited by examiner

*Primary Examiner* — Derrick Holland

*Assistant Examiner* — Lauren Calve

(74) *Attorney, Agent, or Firm* — Barnes & Thornburg LLP

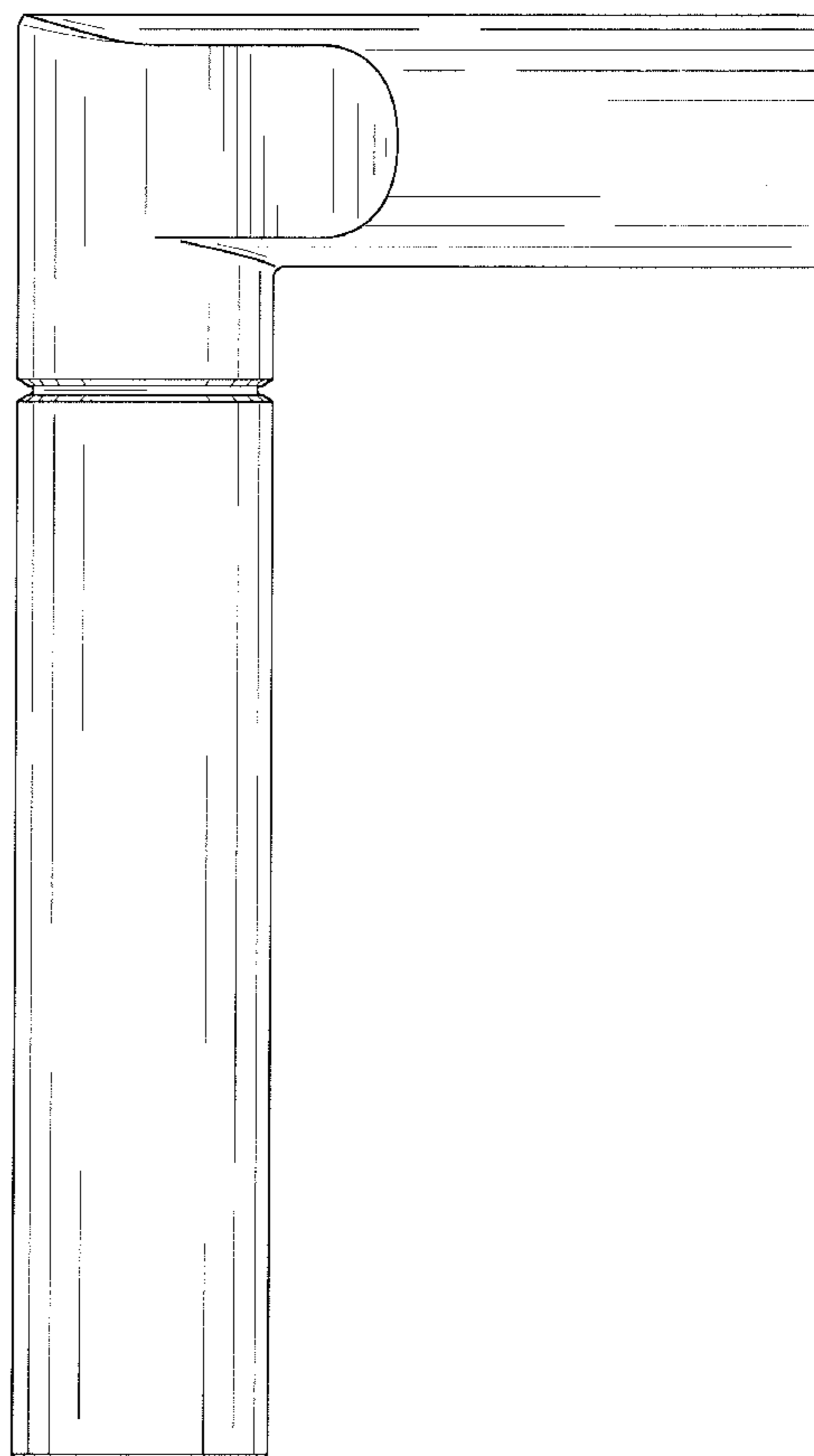
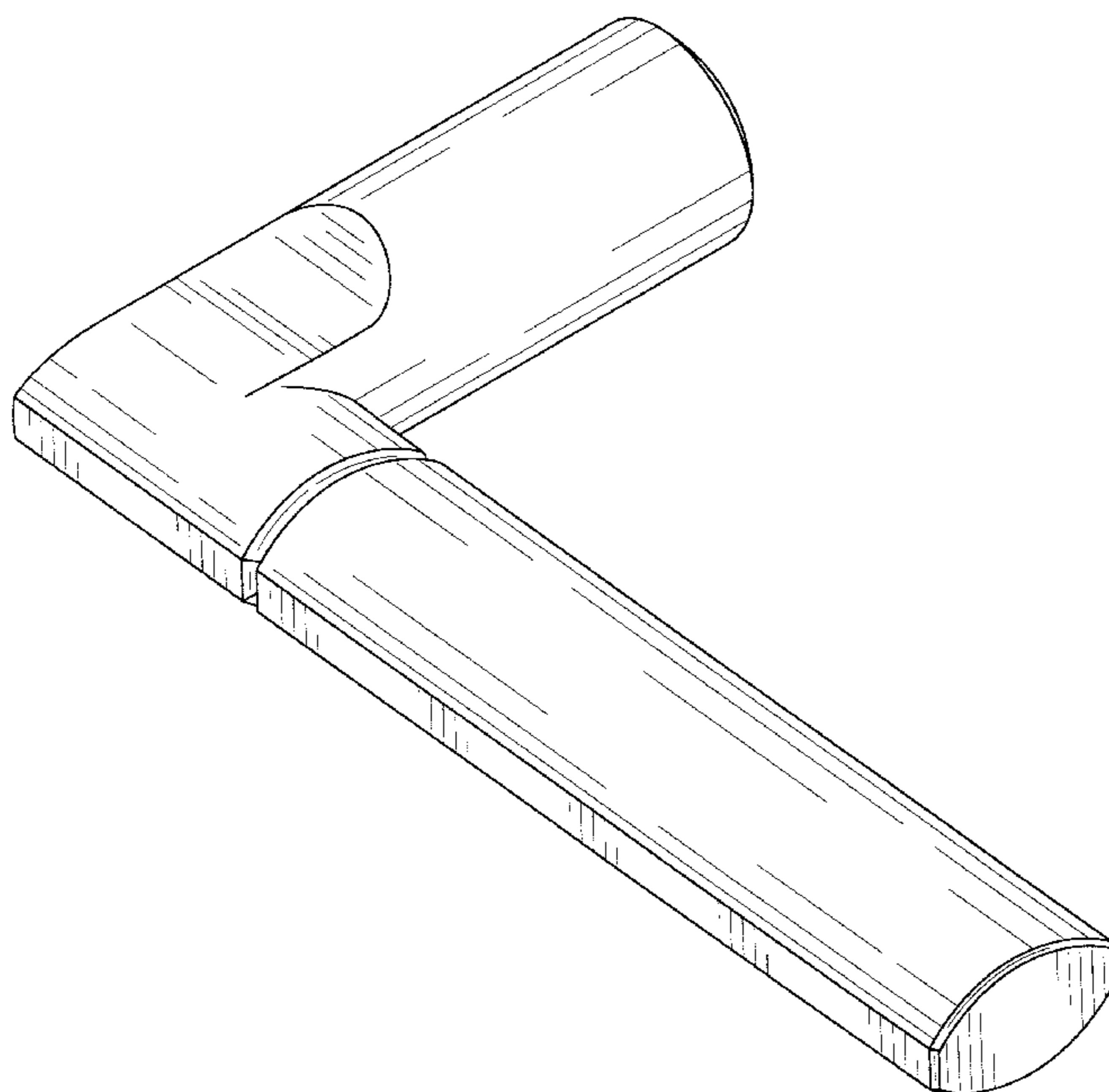
(57) **CLAIM**

What is claimed is the ornamental design for a lever, as shown and described.

**DESCRIPTION**

FIG. 1 is a perspective view of a lever of the new design; FIG. 2 is a left side view thereof; FIG. 3 is a right side view thereof; FIG. 4 is a top view thereof; FIG. 5 is a bottom view thereof; FIG. 6 is a front view thereof; and, FIG. 7 is a back view thereof.

**1 Claim, 5 Drawing Sheets**



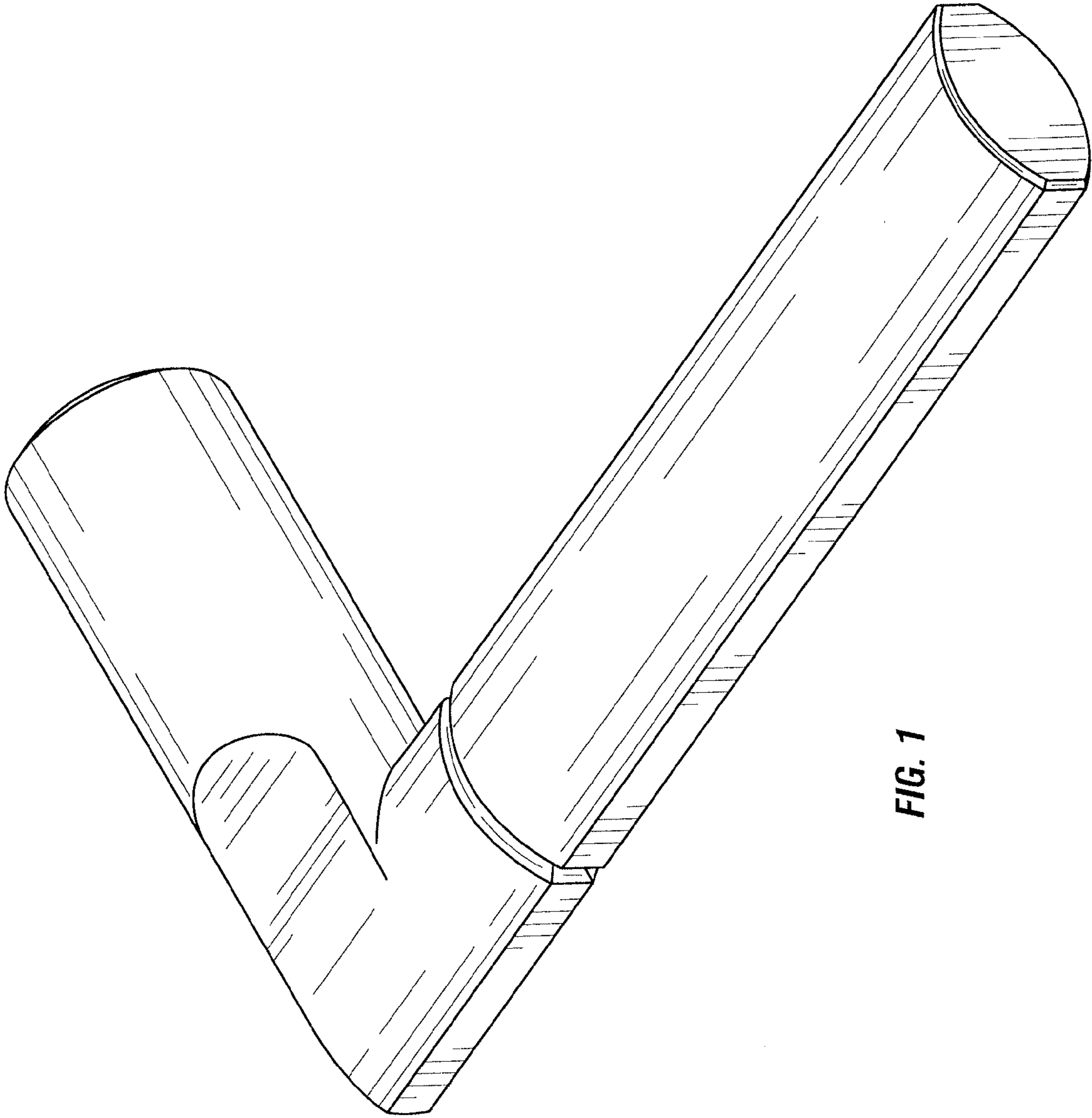
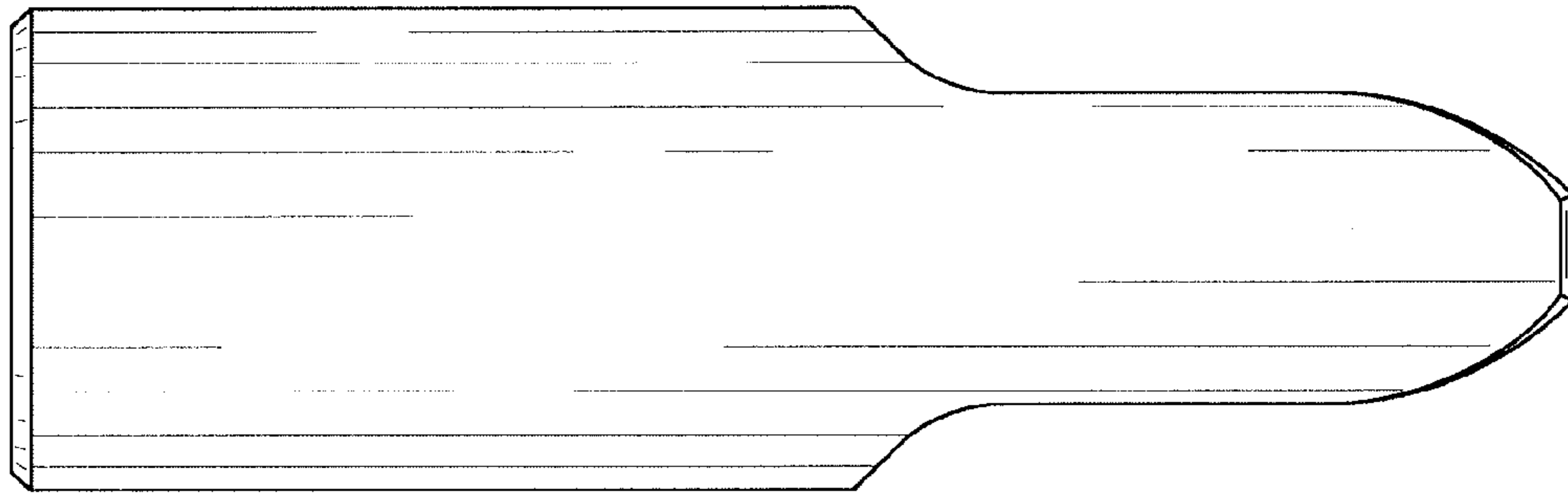
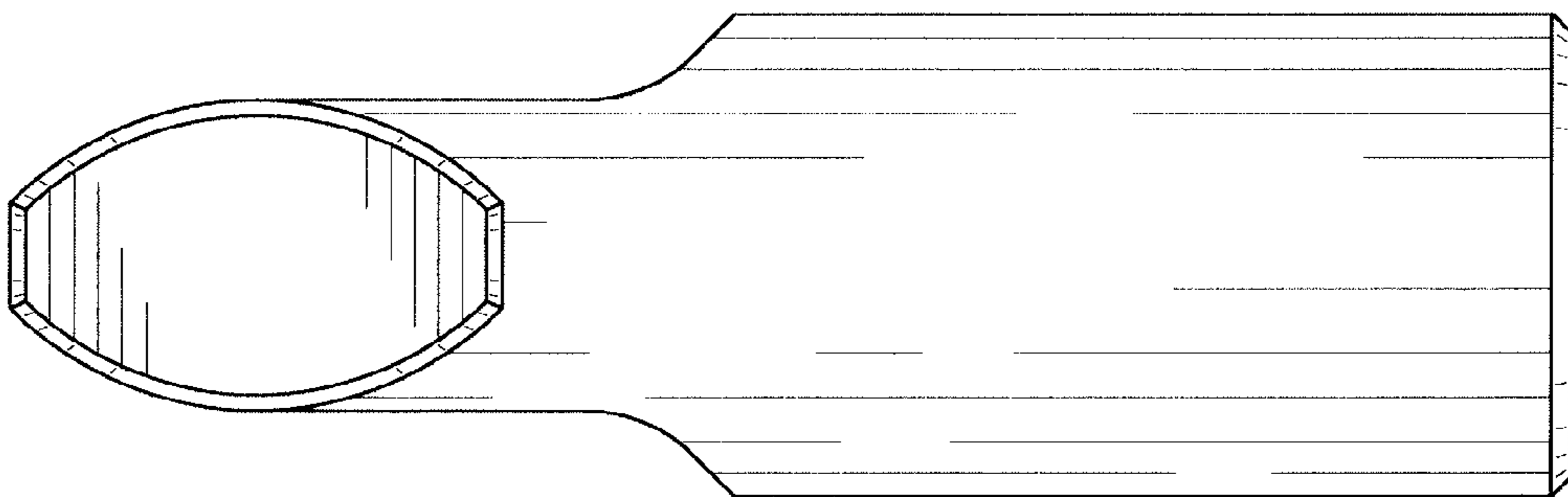


FIG. 1



**FIG. 2**



**FIG. 3**

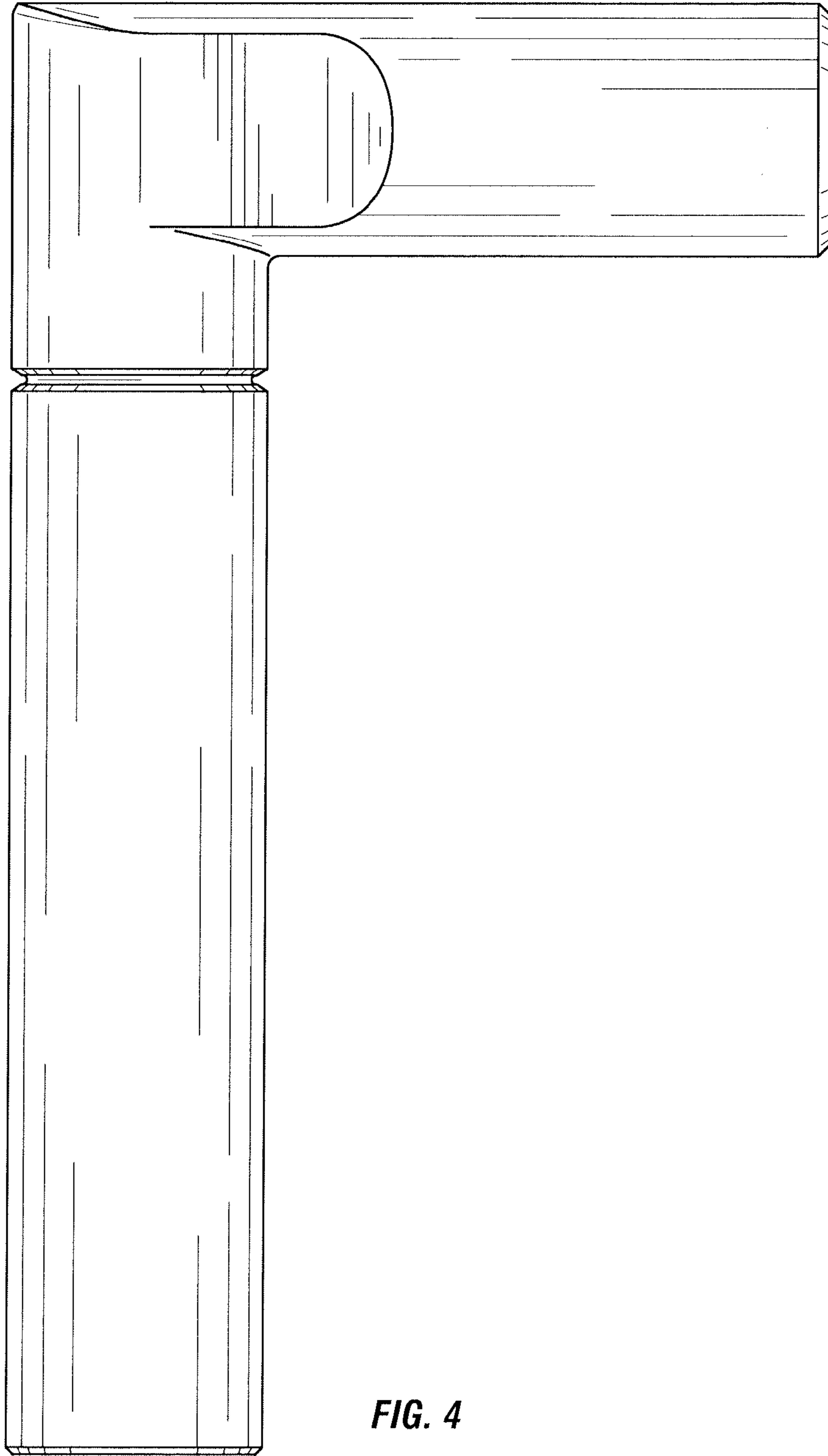
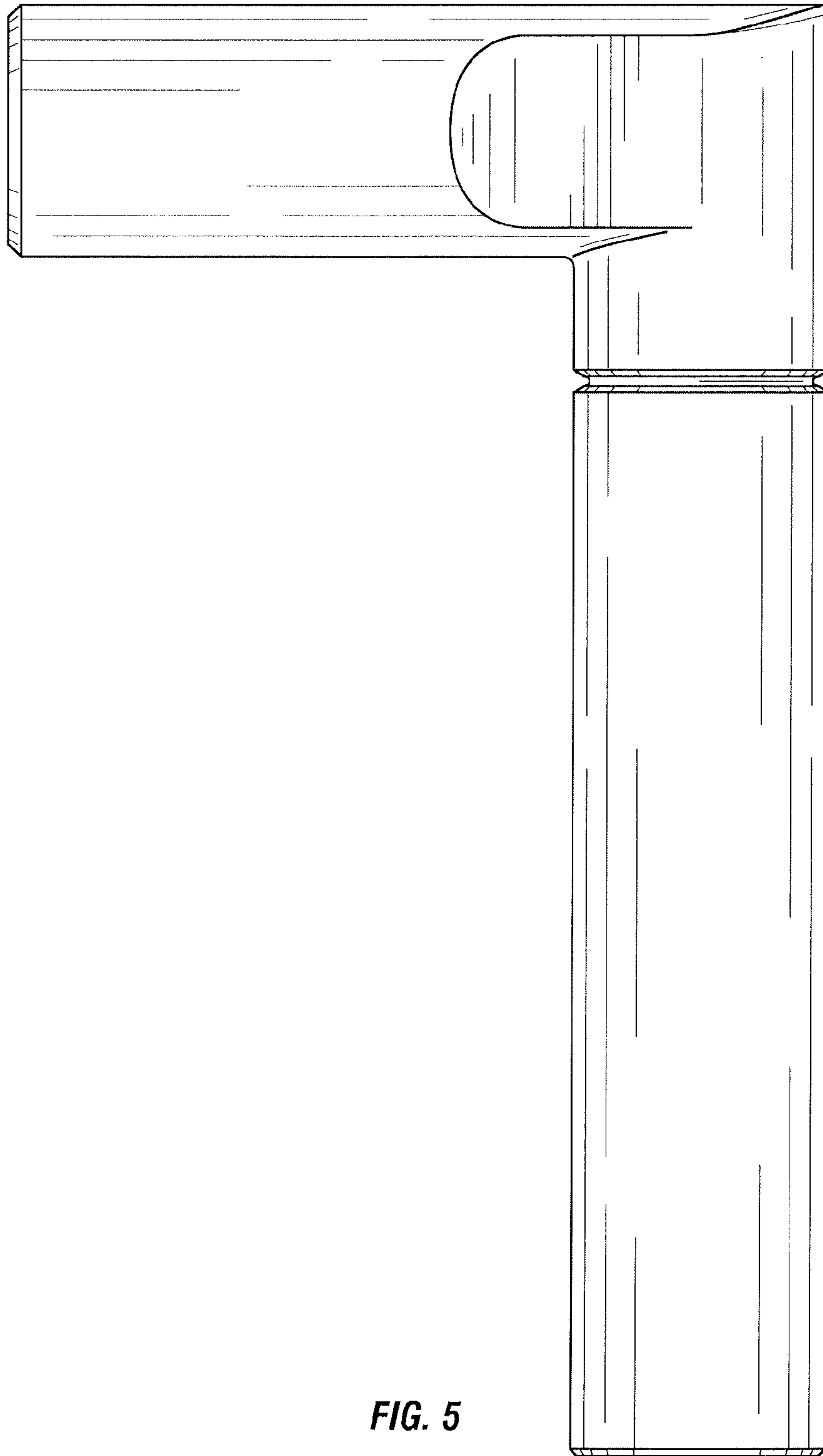
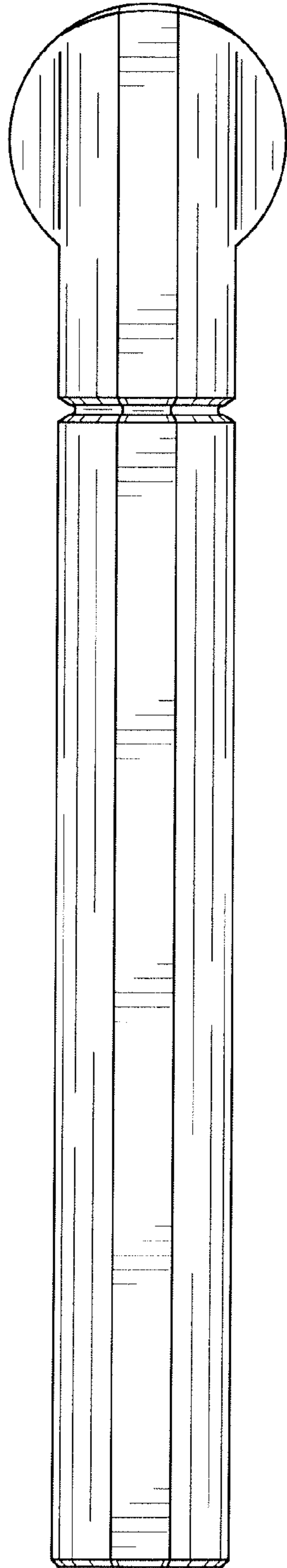


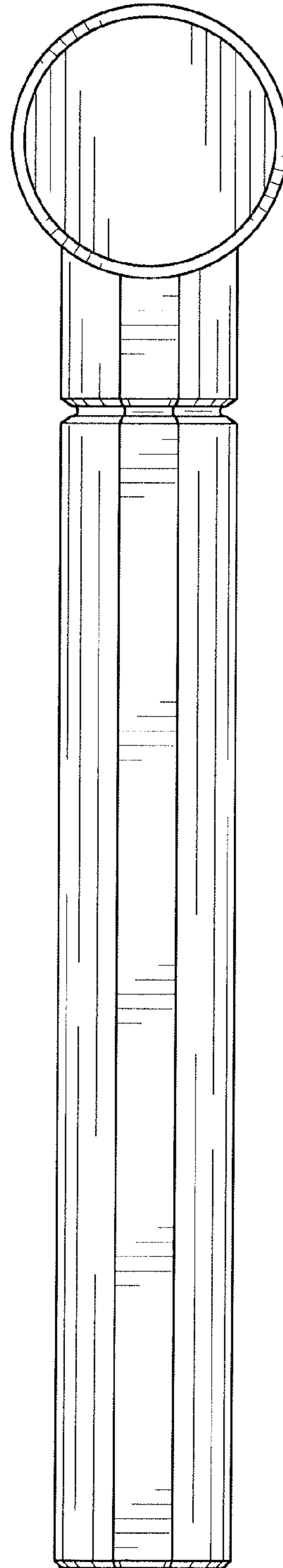
FIG. 4



**FIG. 5**



**FIG. 6**



**FIG. 7**