



US00D734119S

(12) **United States Design Patent**
Kufner et al.

(10) **Patent No.:** **US D734,119 S**
(45) **Date of Patent:** **** Jul. 14, 2015**

(54) **TILE ALIGNMENT AND LEVELING DEVICE**

(71) Applicant: **DAVINCI ITALIA/USA GROUP, LLC**, Fairfield, IA (US)

(72) Inventors: **Edward A Kufner**, Fairfield, IA (US);
Ralph Burgin, West Point, IA (US)

(73) Assignee: **Davinci Italia/USA Group, LLC**, Fairfield, IA (US)

(**) Term: **14 Years**

(21) Appl. No.: **29/486,415**

(22) Filed: **Mar. 28, 2014**

(51) **LOC (10) Cl.** **08-08**

(52) **U.S. Cl.**
USPC **D8/105; D8/354**

(58) **Field of Classification Search**
USPC D8/14, 26, 51, 52, 81, 89, 354, 355;
D10/64; 33/526, 527; 52/392, 749.11
See application file for complete search history.

(56) **References Cited**

U.S. PATENT DOCUMENTS

D240,708 S	7/1976	Ilukowicz	
4,397,125 A *	8/1983	Gussler, Jr.	52/127.3
4,796,330 A	1/1989	Ziegler	
4,802,259 A	2/1989	Geslewitz	
D334,133 S	3/1993	Hartzheim	
5,198,031 A	3/1993	Derstine	
5,288,534 A	2/1994	Tavshanjian	
5,359,783 A	11/1994	Smith	
D361,021 S	8/1995	Harper	
D372,415 S	8/1996	Guidotti	
D382,180 S	8/1997	Chang	
D466,380 S	12/2002	Dickson	
D492,210 S	6/2004	Shilo et al.	
D504,805 S	5/2005	Sorkin	
D509,416 S	9/2005	LeBeau et al.	
6,944,912 B1	9/2005	LeBeau et al.	
D542,162 S	5/2007	Skillings	
D561,501 S	2/2008	Joseph	
D573,423 S	7/2008	Simons	

7,536,802 B1	5/2009	Tavy et al.	
D594,737 S	6/2009	Kelly et al.	
D595,117 S	6/2009	Sorkin	
7,698,831 B2	4/2010	Higgs et al.	
D630,077 S *	1/2011	Kufner et al.	D8/105
D630,078 S *	1/2011	Kufner et al.	D8/105
7,861,487 B2 *	1/2011	Kufner et al.	52/749.11
D640,119 S *	6/2011	Kufner et al.	D8/105
7,954,300 B1 *	6/2011	Kufner et al.	52/749.11
D658,963 S *	5/2012	Kufner et al.	D8/105
8,429,879 B1 *	4/2013	Hoffman et al.	52/747.11
8,607,530 B2 *	12/2013	Hoffman et al.	52/747.11
8,820,031 B2 *	9/2014	Kufner et al.	52/749.11
8,881,419 B2 *	11/2014	Madrack	33/526
2004/0060184 A1	4/2004	Shilo et al.	
2013/0247508 A1 *	9/2013	Hoffman et al.	52/749.11
2013/0255182 A1 *	10/2013	Kufner et al.	52/749.11

* cited by examiner

Primary Examiner — Susan Bennett Hattan

Assistant Examiner — Leanne Was

(74) *Attorney, Agent, or Firm* — Ryan N. Carter

(57) **CLAIM**

The ornamental design for a tile alignment and leveling device, as shown and described.

DESCRIPTION

FIG. 1 is a front perspective view of the tile alignment and leveling device with its locking members in the unlocked position;

FIG. 2 is a front perspective view of the tile alignment and leveling device with its locking members in the locked position;

FIG. 3 is a front view;

FIG. 4 is a rear view;

FIG. 5 is a first side view;

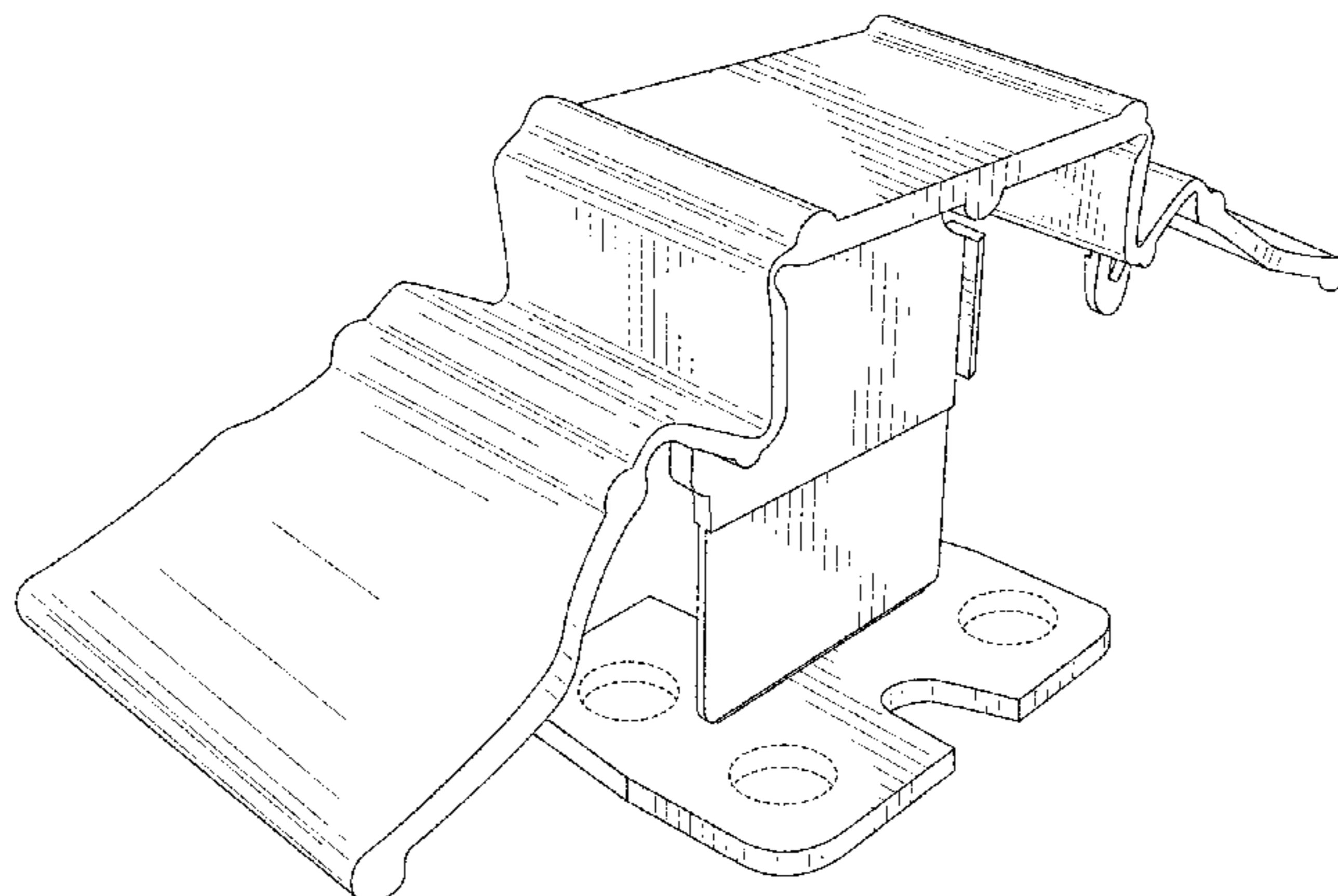
FIG. 6 is a second side;

FIG. 7 is a top view; and,

FIG. 8 is a bottom view.

The broken lines in the drawing depict portions of the tile alignment and leveling device that form no part of the claimed design.

1 Claim, 7 Drawing Sheets



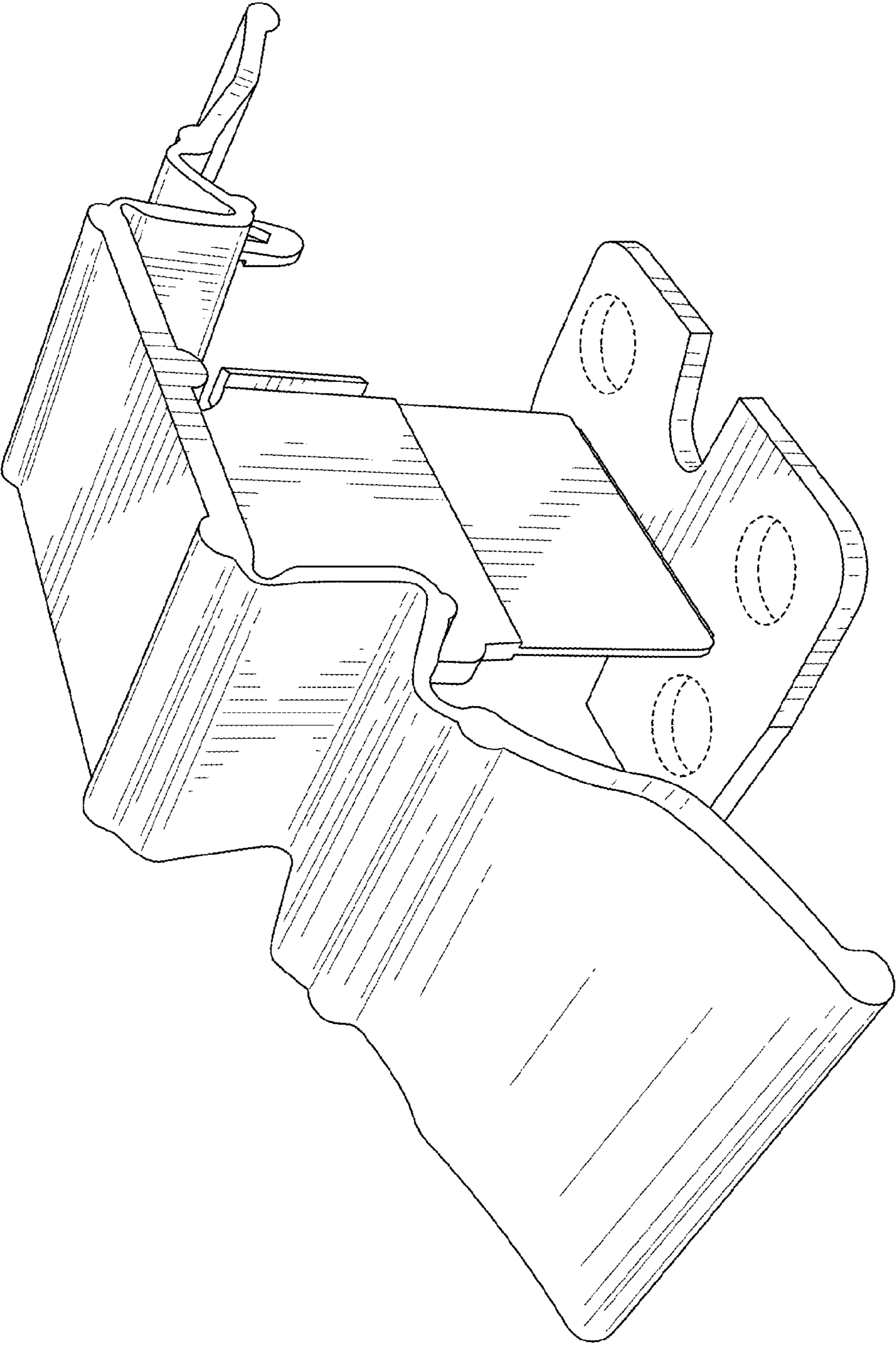


FIG. 1

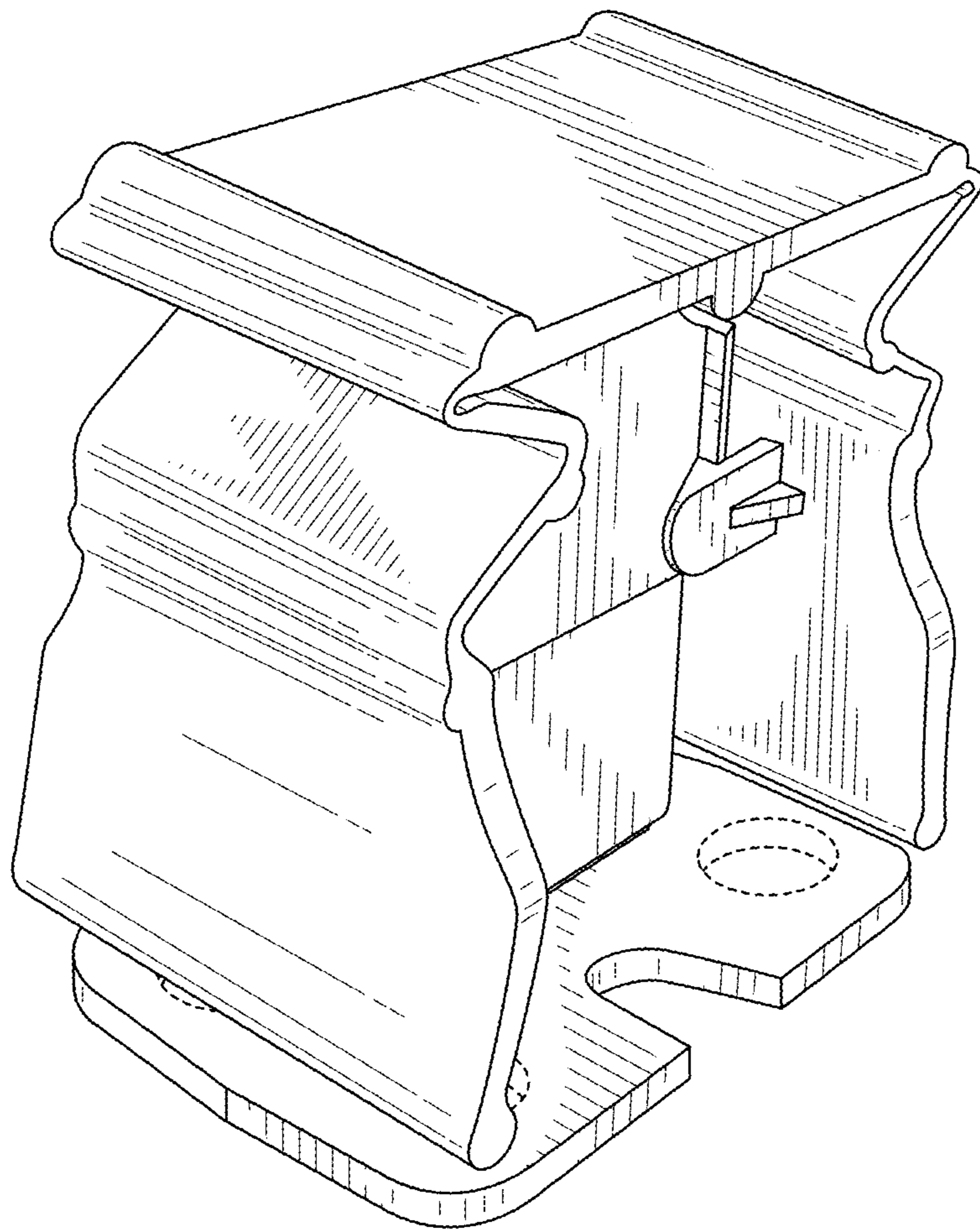


FIG. 2

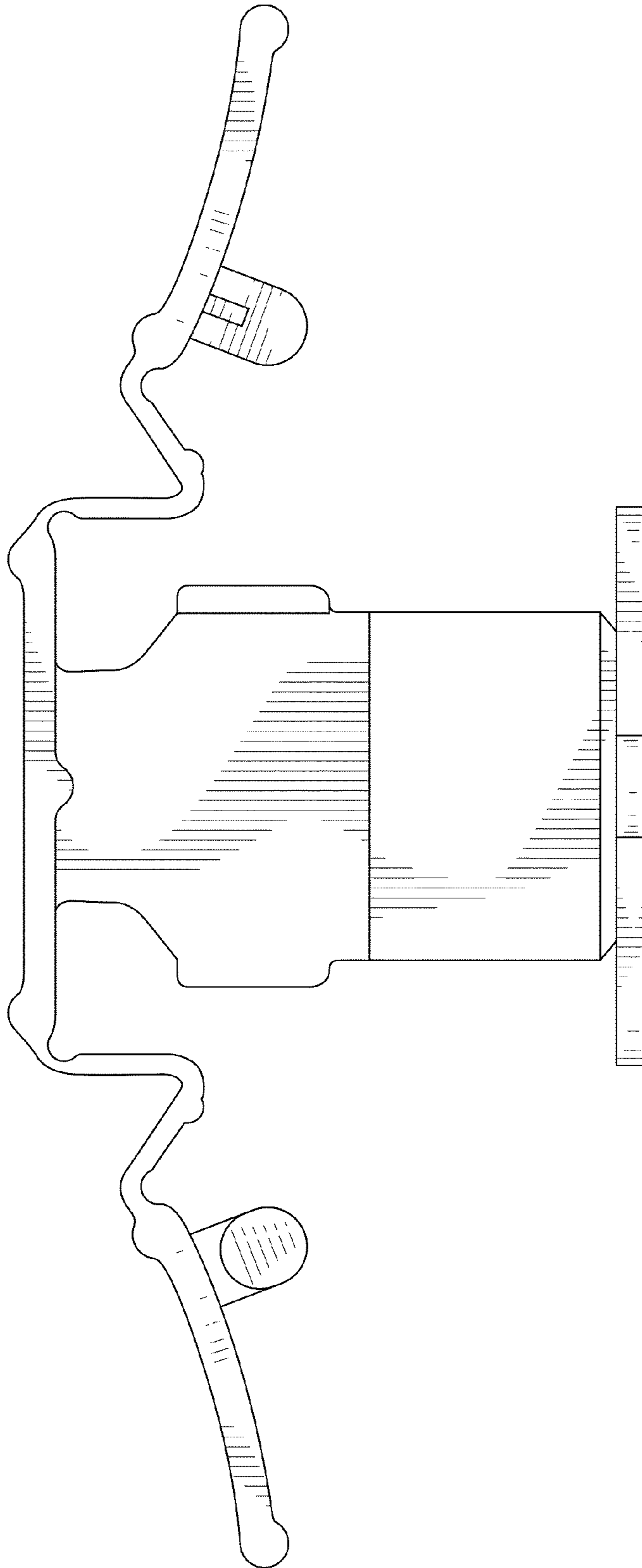


FIG. 3

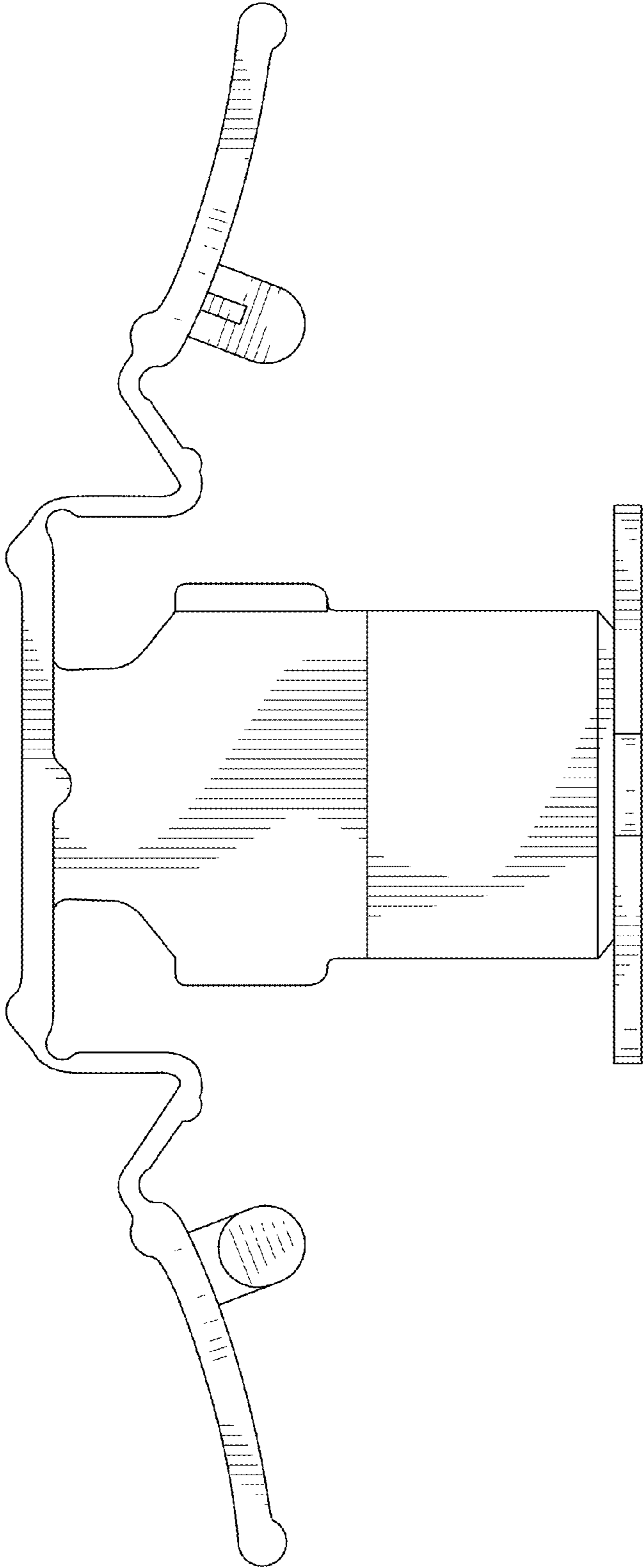


FIG. 4

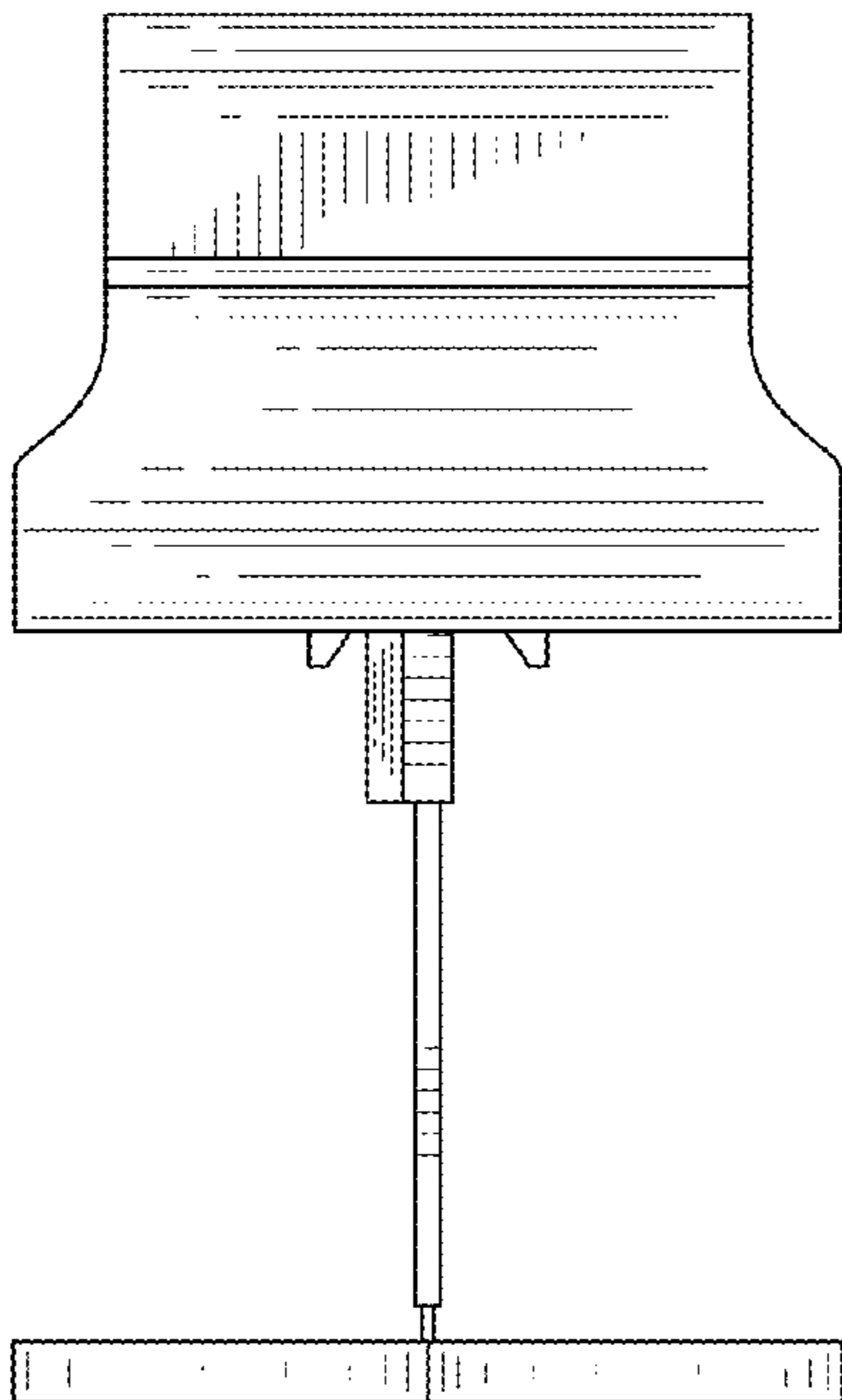


FIG. 5

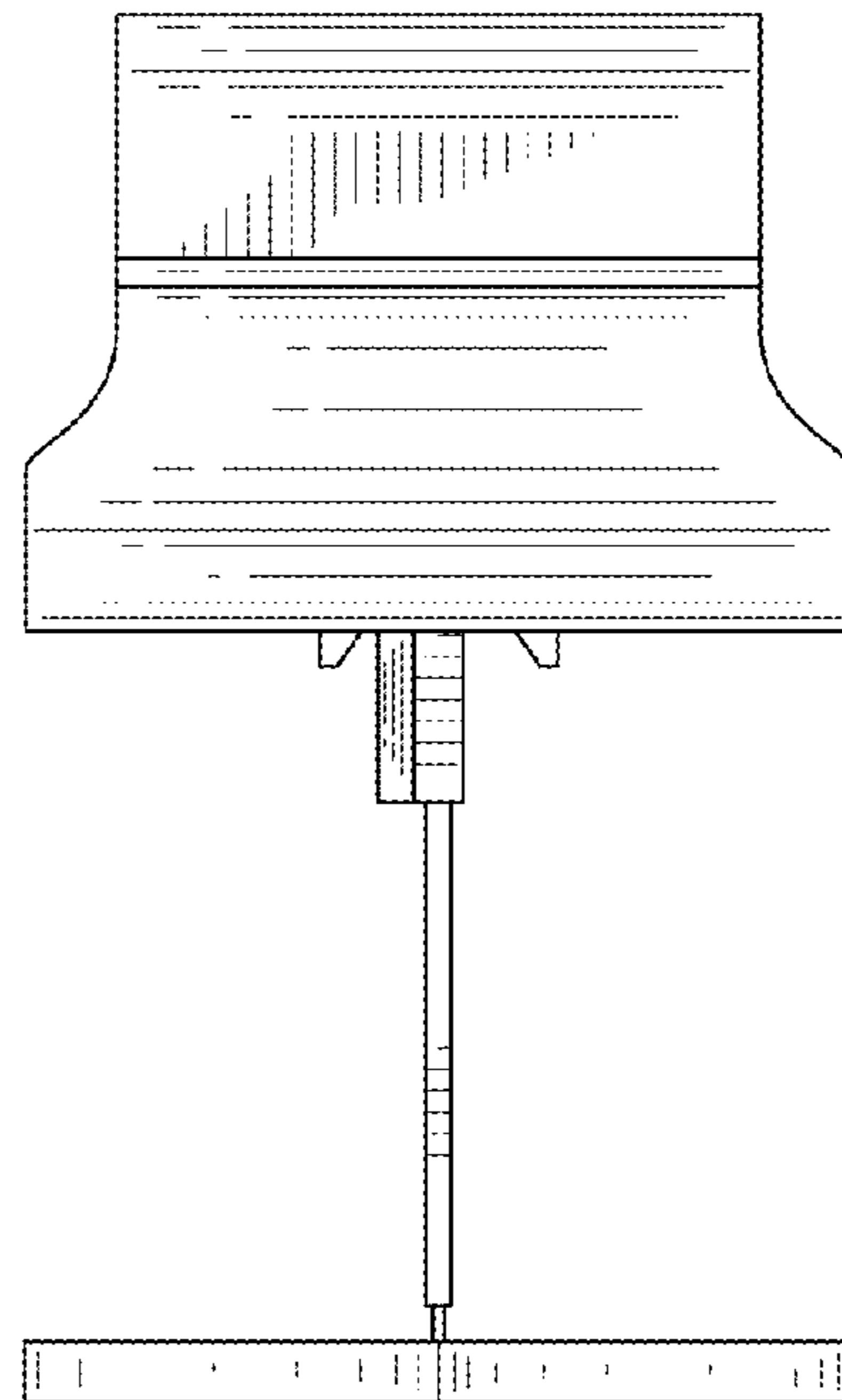


FIG. 6

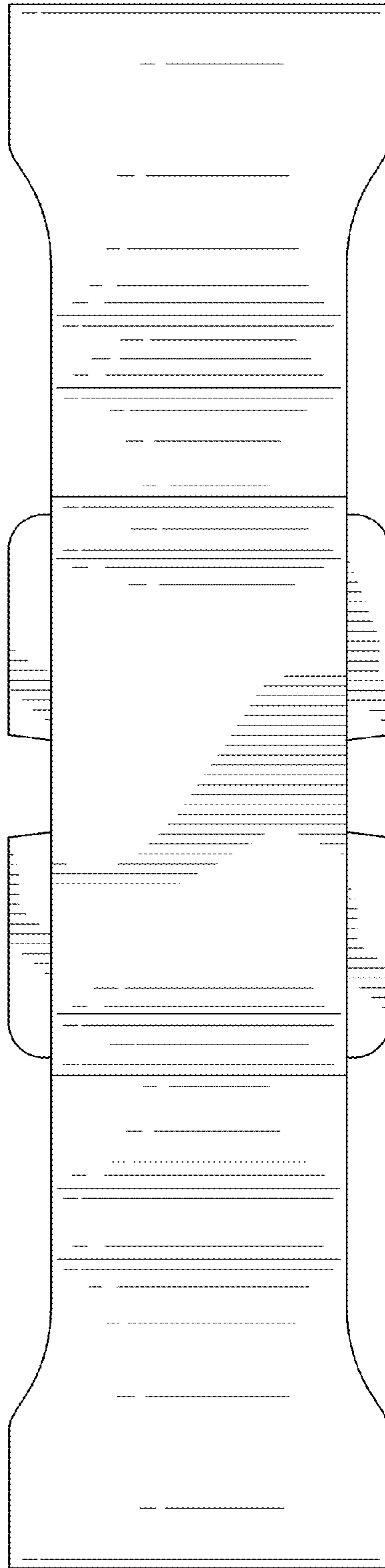


FIG. 7

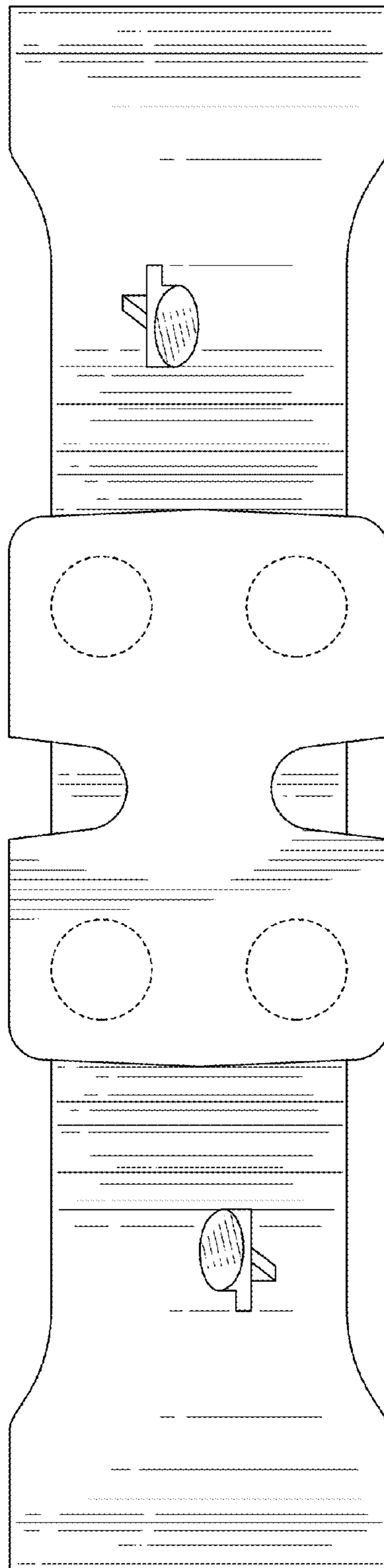


FIG. 8