



US00D734118S

(12) **United States Design Patent**
Goldy et al.

(10) **Patent No.:** **US D734,118 S**
(45) **Date of Patent:** **** Jul. 14, 2015**

- (54) **AUTOMOTIVE TOOL**
- (71) Applicants: **Robert Goldy**, New York, NY (US);
Edwin Chan, Brooklyn, NY (US)
- (72) Inventors: **Robert Goldy**, New York, NY (US);
Edwin Chan, Brooklyn, NY (US)
- (73) Assignee: **Trend Right Research And
Development Corporation**, New York,
NY (US)
- (**) Term: **14 Years**
- (21) Appl. No.: **29/480,869**
- (22) Filed: **Jan. 30, 2014**
- (51) **LOC (10) Cl.** **08-05**
- (52) **U.S. Cl.**
USPC **D8/105**
- (58) **Field of Classification Search**
USPC D8/75, 77, 80, 81, 105, 107; D10/85,
D10/86; 81/20, 21, 22
See application file for complete search history.

D503,898 S *	4/2005	Durr et al.	D10/86
6,874,186 B2 *	4/2005	Lin	7/144
D517,934 S *	3/2006	Durr et al.	D10/86
D520,840 S *	5/2006	Bhavnani	D8/81
D553,032 S *	10/2007	Yuen	D10/86
D558,623 S *	1/2008	Yuen	D10/86
D642,889 S *	8/2011	Boehm et al.	D8/107
D671,024 S *	11/2012	Stowers	D10/86
D671,025 S *	11/2012	Stowers	D10/86
D683,644 S *	6/2013	Stowers	D10/86
D686,517 S *	7/2013	Chen	D10/86

* cited by examiner

Primary Examiner — Susan Bennett Hattan

Assistant Examiner — Leanne Was

(74) *Attorney, Agent, or Firm* — Dinsmore & Shohl LLP

(57) **CLAIM**

The ornamental design for an automotive tool, as shown and described.

DESCRIPTION

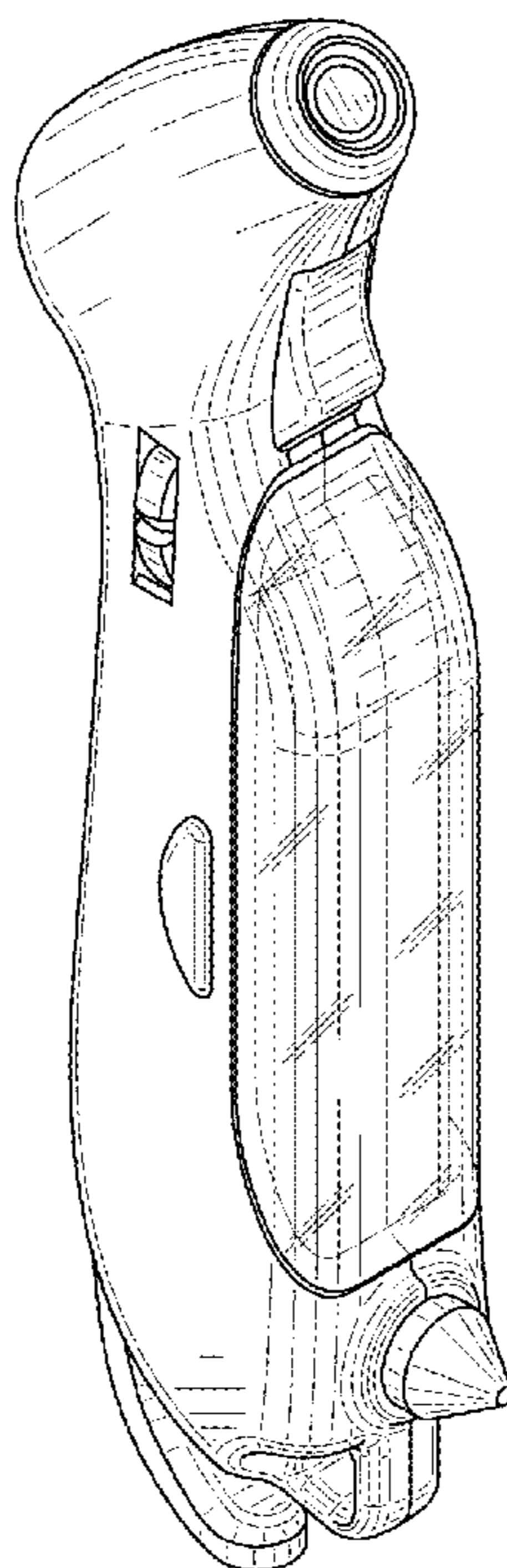
FIG. 1 is a perspective view of an automotive tool according to the present design;
 FIG. 2 is a front elevation view of the automotive tool of FIG. 1;
 FIG. 3 is a rear elevation view of the automotive tool of FIG. 1;
 FIG. 4 is a right elevation view of the automotive tool of FIG. 1;
 FIG. 5 is a left elevation view of the automotive tool of FIG. 1;
 FIG. 6 is a top view of the automotive tool of FIG. 1; and,
 FIG. 7 is a bottom view of the automotive tool of FIG. 1.

1 Claim, 5 Drawing Sheets

(56) **References Cited**

U.S. PATENT DOCUMENTS

6,385,554 B1 *	5/2002	Wu	702/140
D459,668 S *	7/2002	Petrucelli	D10/86
D491,480 S *	6/2004	Huang et al.	D10/86
D498,154 S *	11/2004	Wang	D10/86
D498,401 S *	11/2004	Lin et al.	D8/81
D499,003 S *	11/2004	Chiang	D8/81
D502,656 S *	3/2005	Fujioka	D10/86



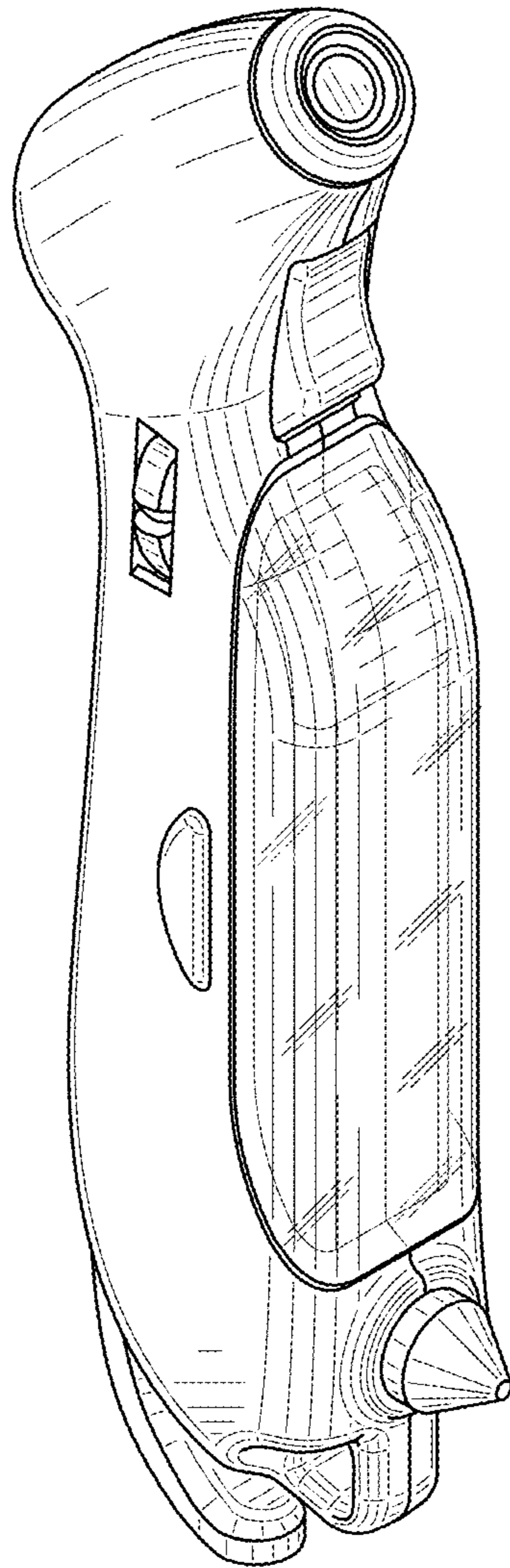


FIG. 1

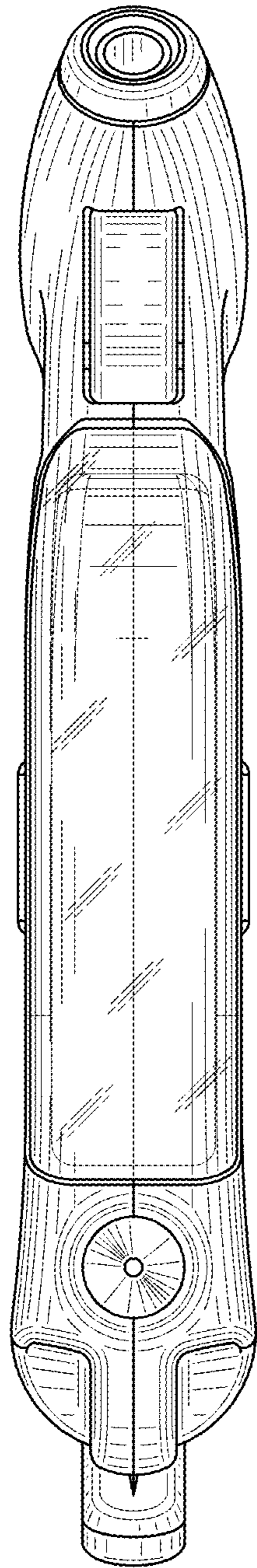


FIG. 2

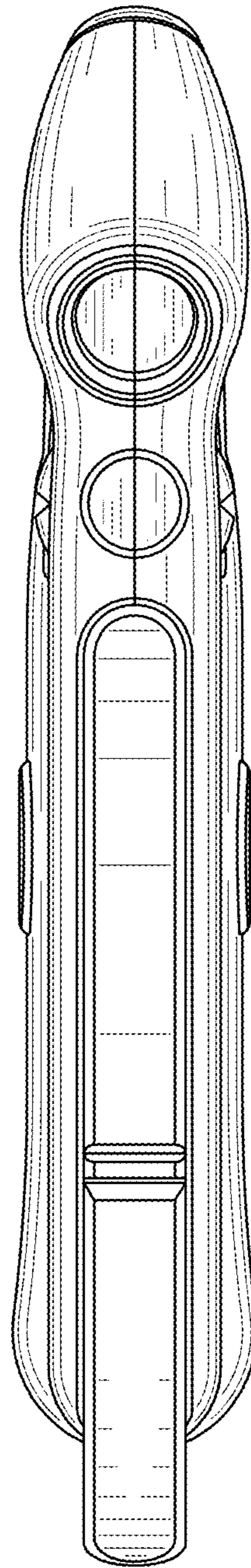


FIG. 3

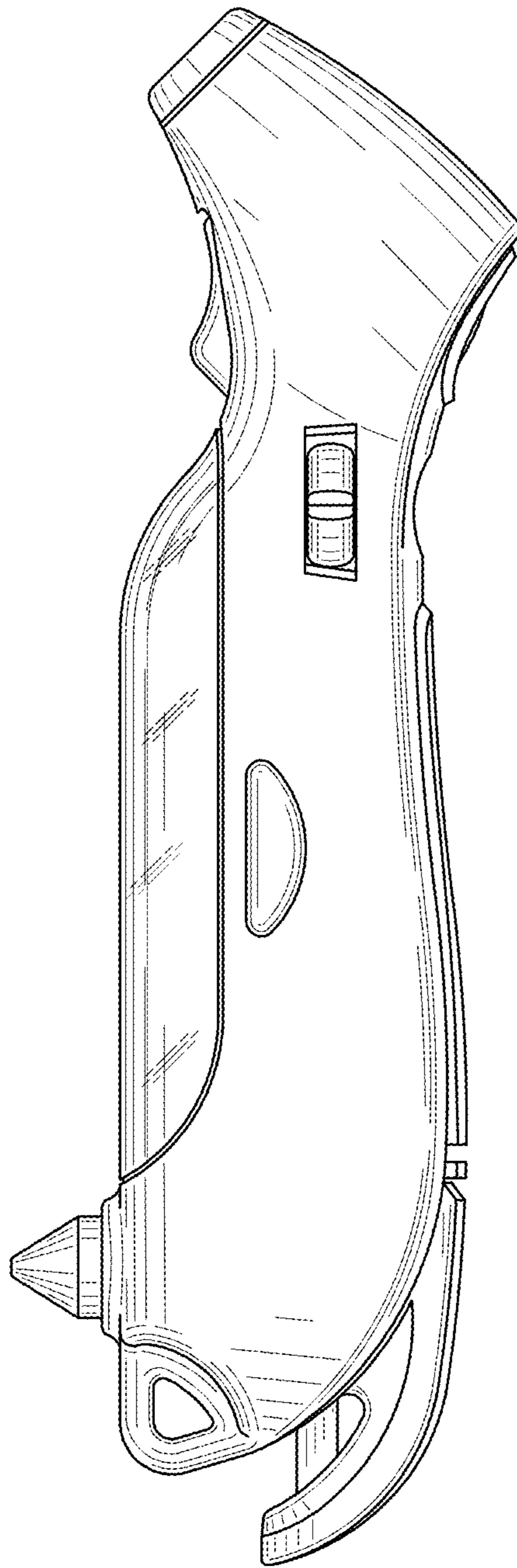


FIG. 4

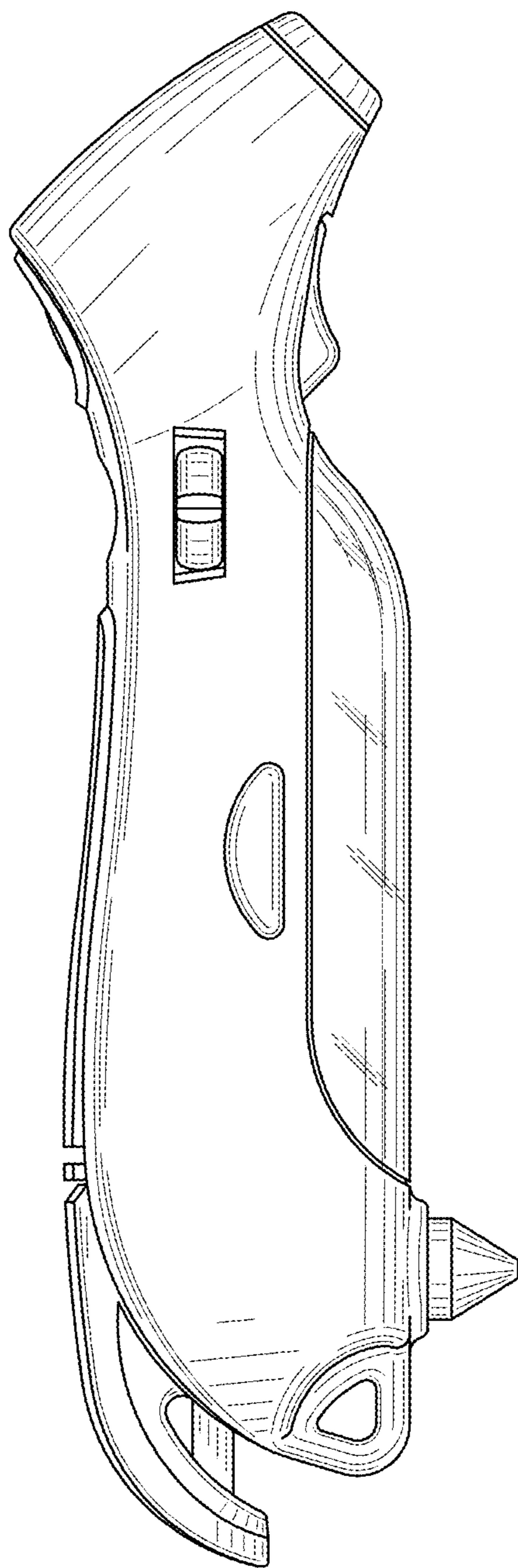


FIG. 5

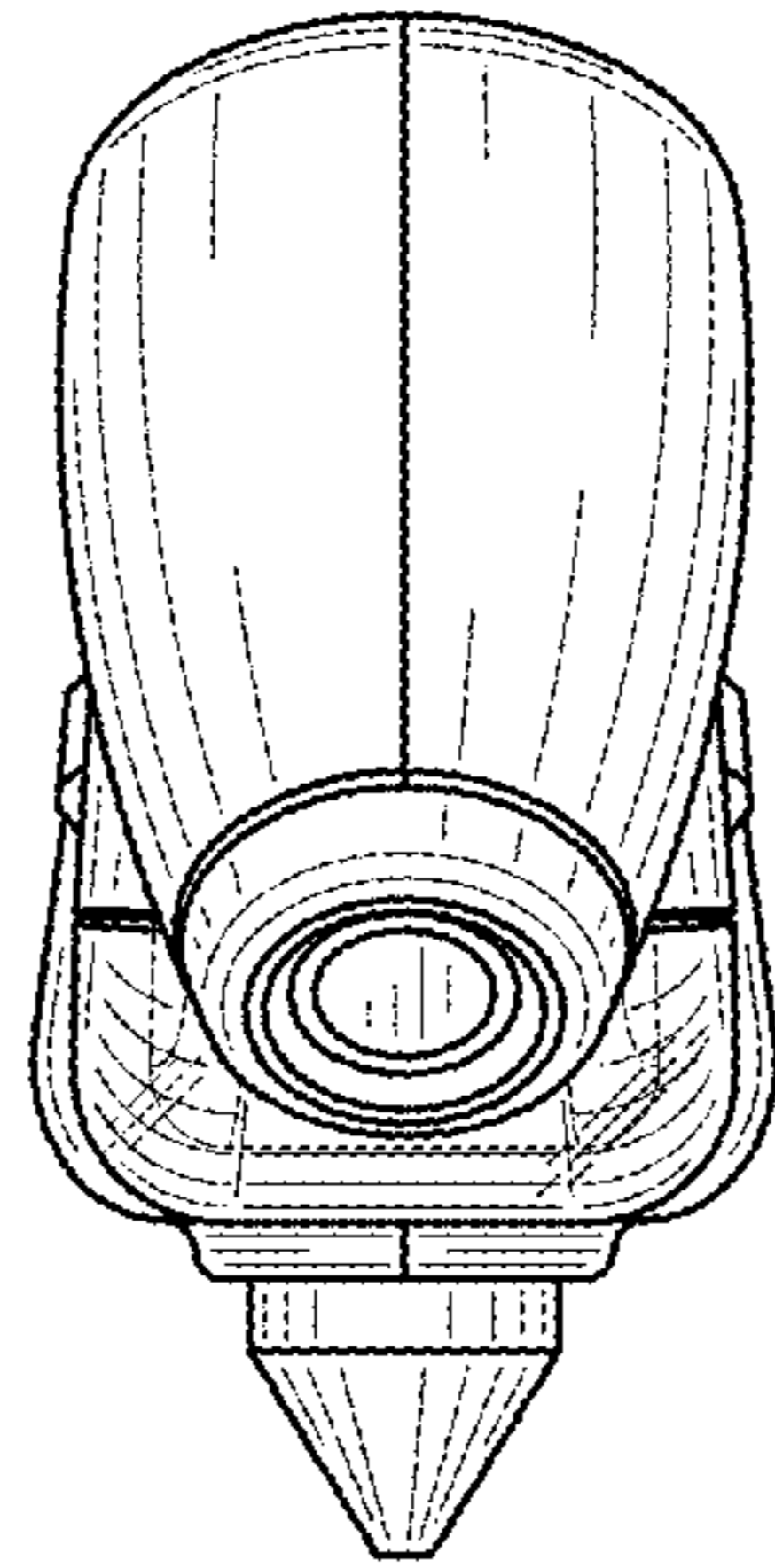


FIG. 6

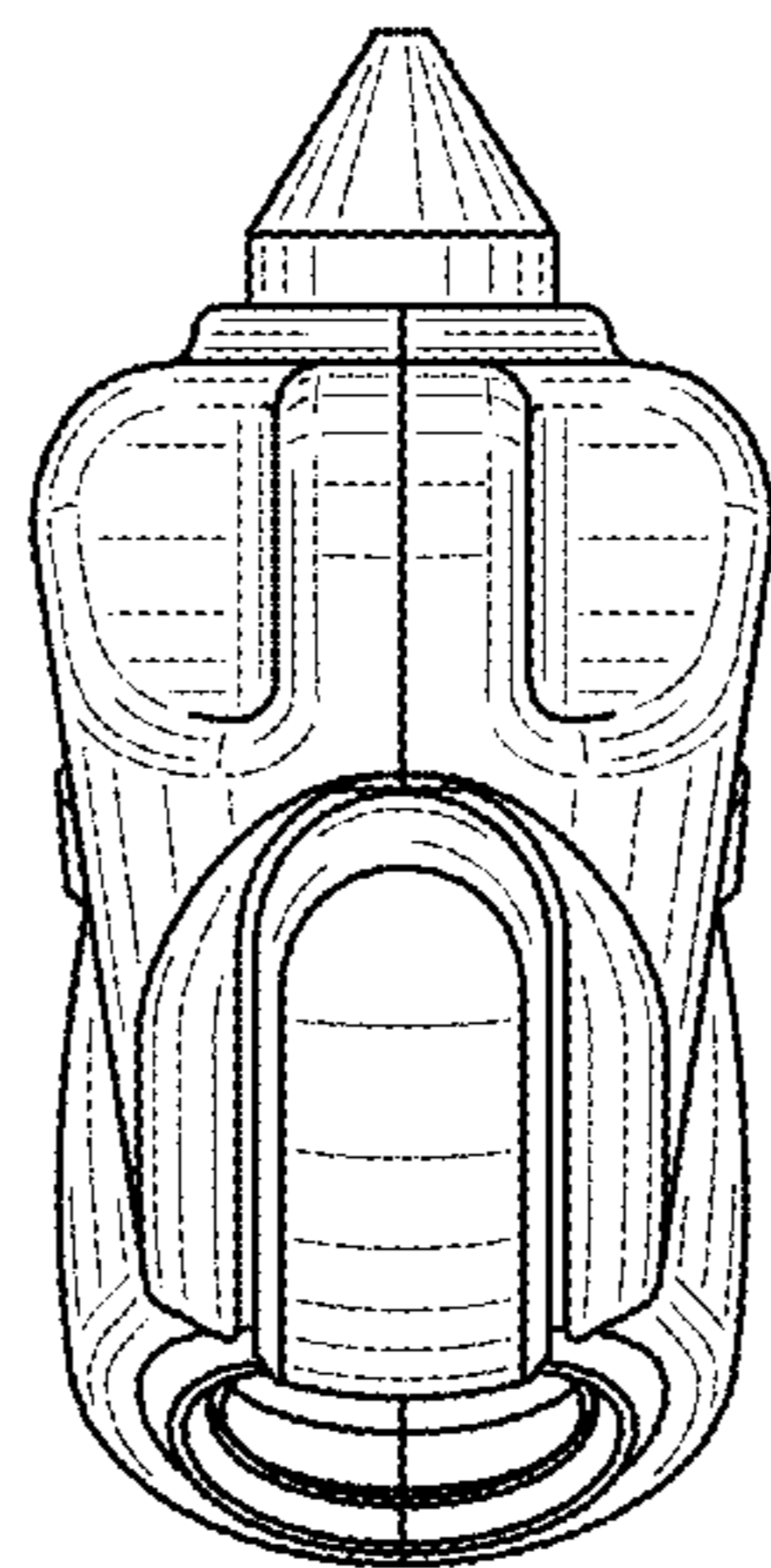


FIG. 7