



US00D734115S

(12) **United States Design Patent**
Robinson et al.

(10) **Patent No.:** **US D734,115 S**
(45) **Date of Patent:** **** Jul. 14, 2015**

- (54) **TOOL HANDLE**
- (71) Applicants: **Glenn Robinson**, Parkland, FL (US);
Allan Ospina, Hallandale Beach, FL (US)
- (72) Inventors: **Glenn Robinson**, Parkland, FL (US);
Allan Ospina, Hallandale Beach, FL (US)
- (73) Assignee: **IBT Holding LLC**, Deerfield Beach, FL (US)
- (**) Term: **14 Years**
- (21) Appl. No.: **29/442,563**
- (22) Filed: **Mar. 25, 2013**
- (51) **LOC (10) Cl.** **08-04**
- (52) **U.S. Cl.**
USPC **D8/83**
- (58) **Field of Classification Search**
USPC D8/21, 24-26, 29, 61, 82-87, 107, 300,
D8/307, 309-314; 81/52, 53.1,
81/177.1-177.4, 177.7, 467, 489-491
CPC A47J 43/26; B25B 13/463; B25B 13/468;
B25B 15/04; B25G 1/005; B25G 1/085
See application file for complete search history.

D339,731 S *	9/1993	Stewart	D8/107
D339,732 S *	9/1993	Stewart	D8/107
D356,239 S *	3/1995	Lin	D8/82
D368,213 S *	3/1996	Marks et al.	D8/61
D369,816 S *	5/1996	Kingsley et al.	D15/142
D392,535 S *	3/1998	Vasudeva et al.	D8/83
D393,787 S *	4/1998	Savoie	D8/21
D409,463 S *	5/1999	McMullin	D8/25
D493,685 S *	8/2004	Dallas	D8/107
D527,979 S *	9/2006	Morris	D8/307
D586,634 S *	2/2009	Lai	D8/21
D613,144 S *	4/2010	Lin	D8/83
D618,077 S *	6/2010	Merten et al.	D8/29
D618,527 S *	6/2010	Deguglimo et al.	D8/29
D646,384 S *	10/2011	Gauthier et al.	D24/133
D646,385 S *	10/2011	Gauthier et al.	D24/133
D657,646 S *	4/2012	Schoch et al.	D8/61
D673,831 S *	1/2013	Molina et al.	D8/83
D673,832 S *	1/2013	Molina et al.	D8/83
D687,690 S *	8/2013	Chen	D8/26

* cited by examiner

Primary Examiner — Philip S Hyder

Assistant Examiner — Roselynn Cody

(74) *Attorney, Agent, or Firm* — Dan M. DeLaRosa

(57) **CLAIM**

The ornamental design for a tool handle, as shown and described.

DESCRIPTION

FIG. 1 is a front perspective view of the tool handle of the present invention showing my new design; FIG. 2 is a front elevational view thereof; FIG. 3 is a back elevational view thereof; FIG. 4 is side elevational view thereof; FIG. 5 is another side elevational view thereof; FIG. 6 is a bottom plan view thereof; and, FIG. 7 is a top plan view thereof.

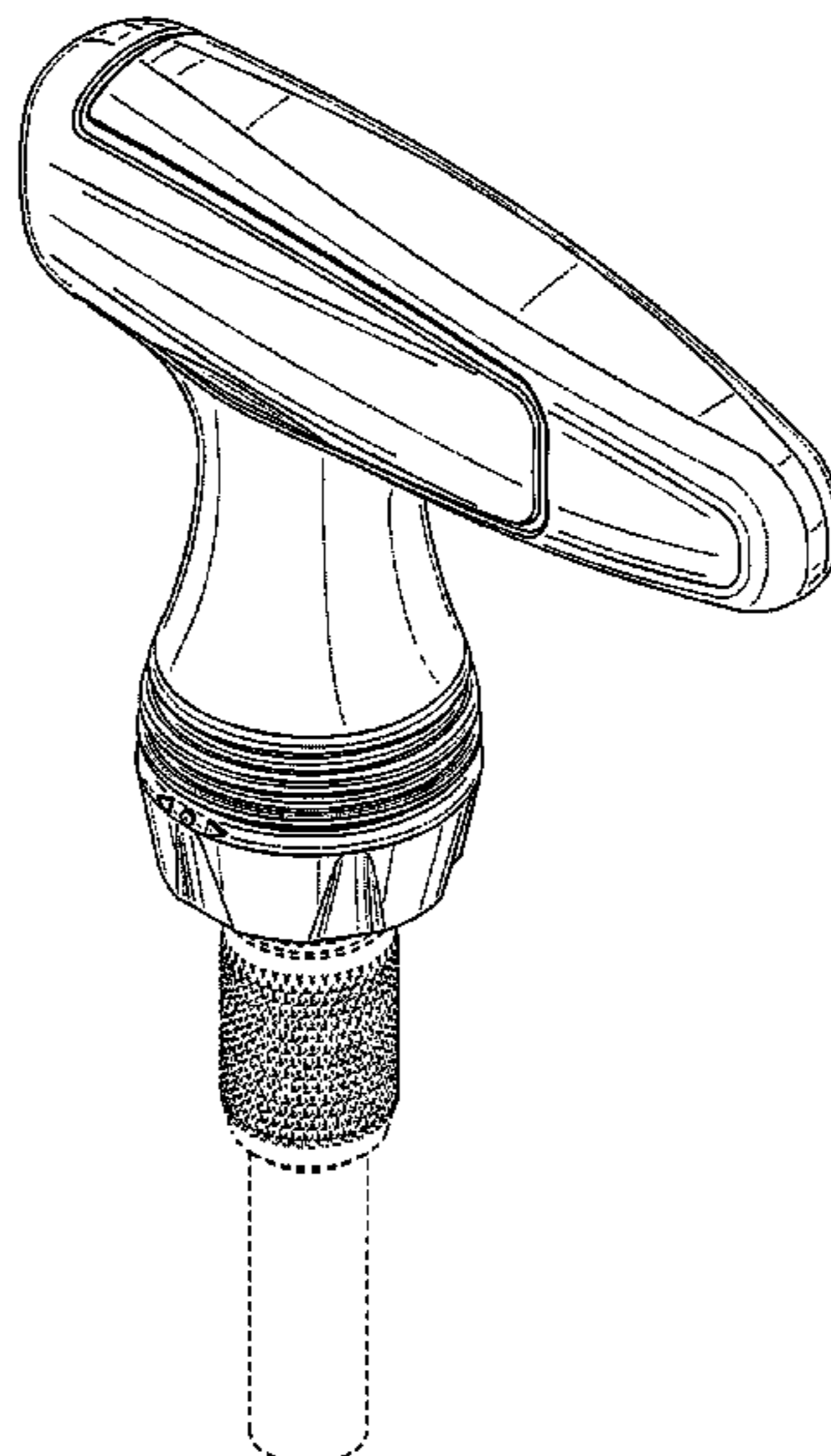
The broken lines in the drawings illustrate unclaimed environment and form no part of the claim.

1 Claim, 6 Drawing Sheets

(56) **References Cited**

U.S. PATENT DOCUMENTS

D51,641 S *	1/1918	Hargrave	D8/82
D107,007 S *	11/1937	Cashmore	D8/82
D113,158 S *	1/1939	Cashmore	D8/82
2,653,638 A *	9/1953	Nelson	30/120.2
D259,698 S *	6/1981	MacNeill	D8/107
D260,478 S *	9/1981	Belaiche	D8/308
4,529,071 A *	7/1985	Gagnon et al.	192/43.1
D296,296 S *	6/1988	Lee	D8/83
4,893,529 A *	1/1990	Lin	81/177.4
D339,279 S *	9/1993	Baum	D8/83



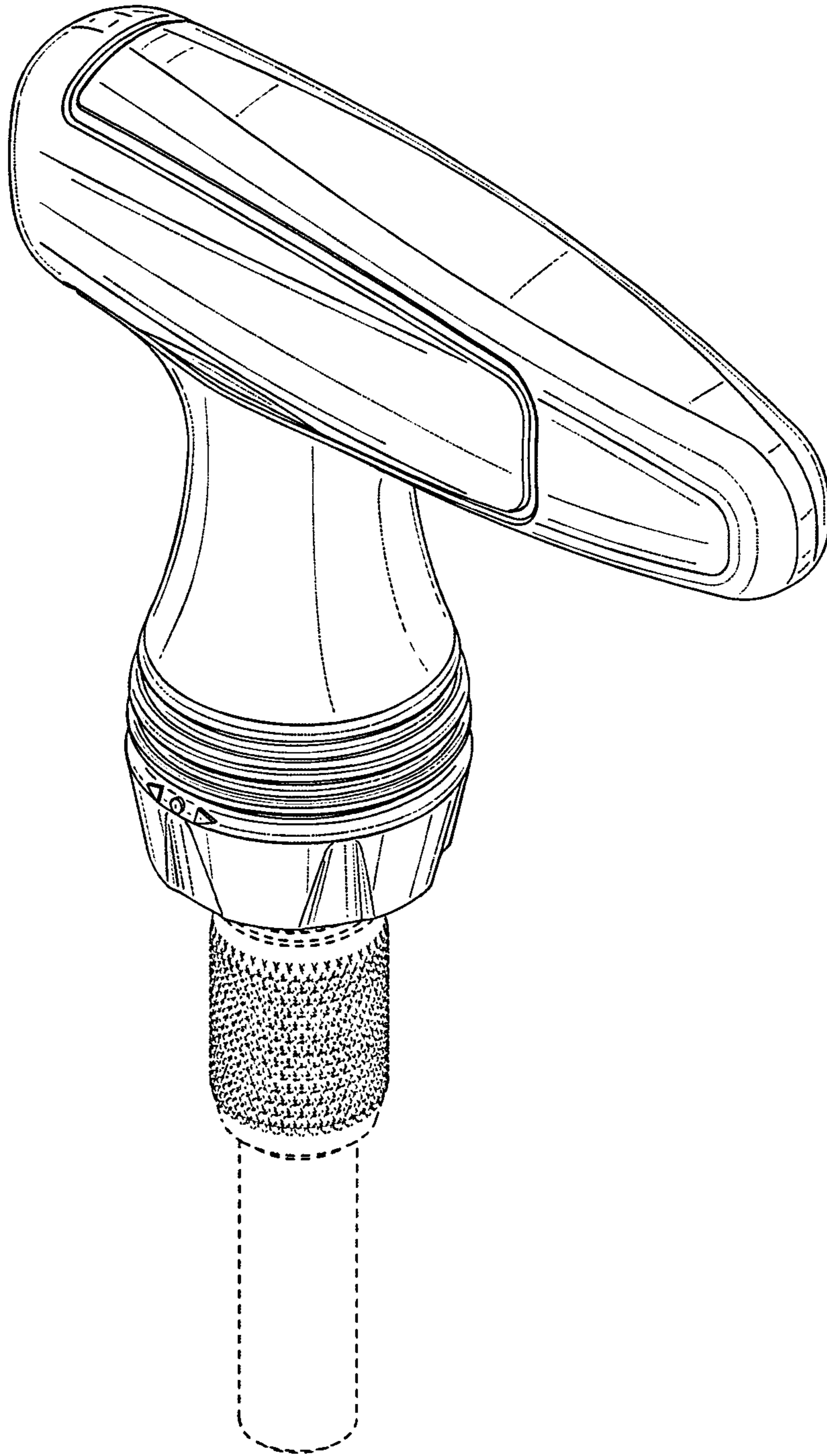


FIG. 1

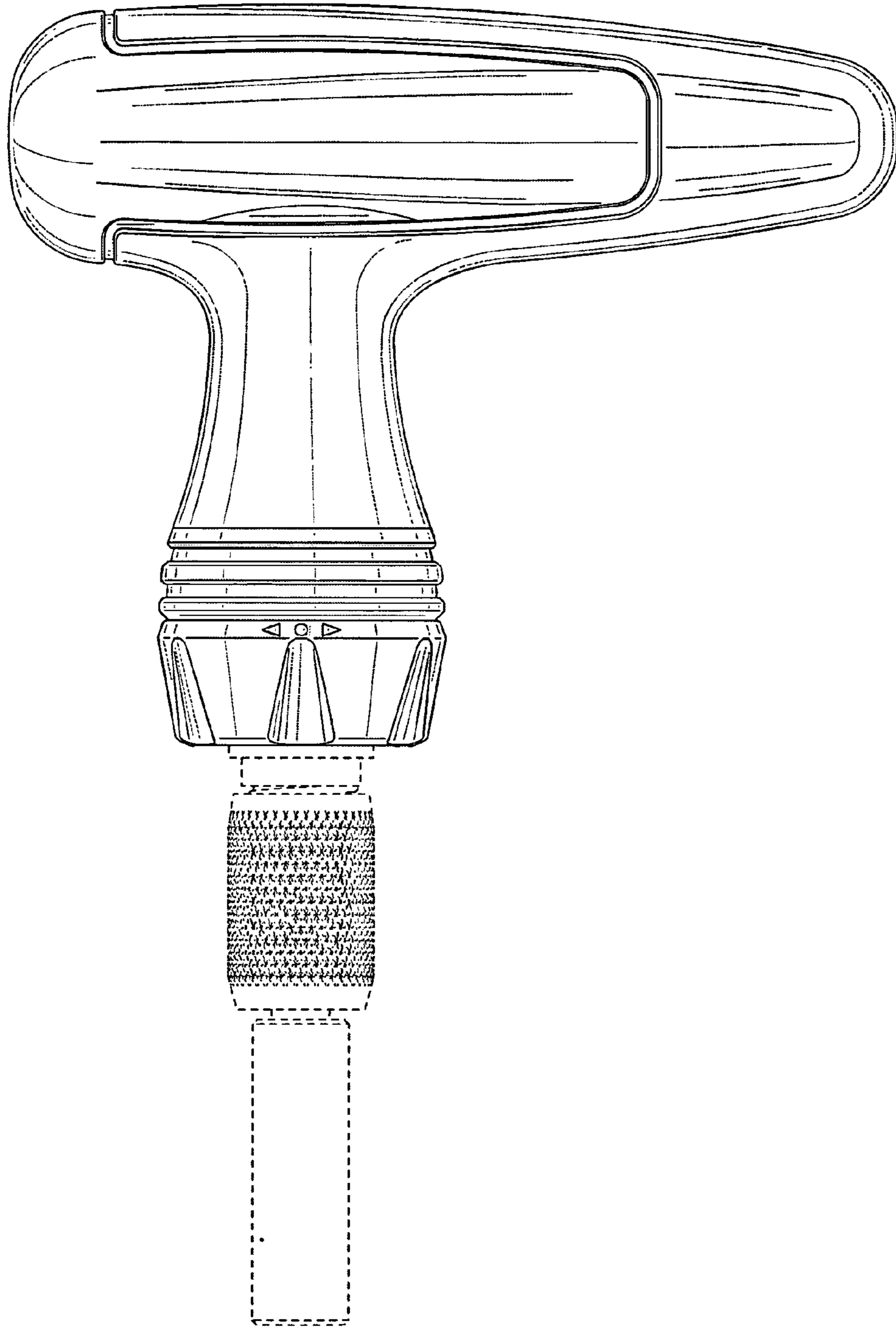


FIG. 2

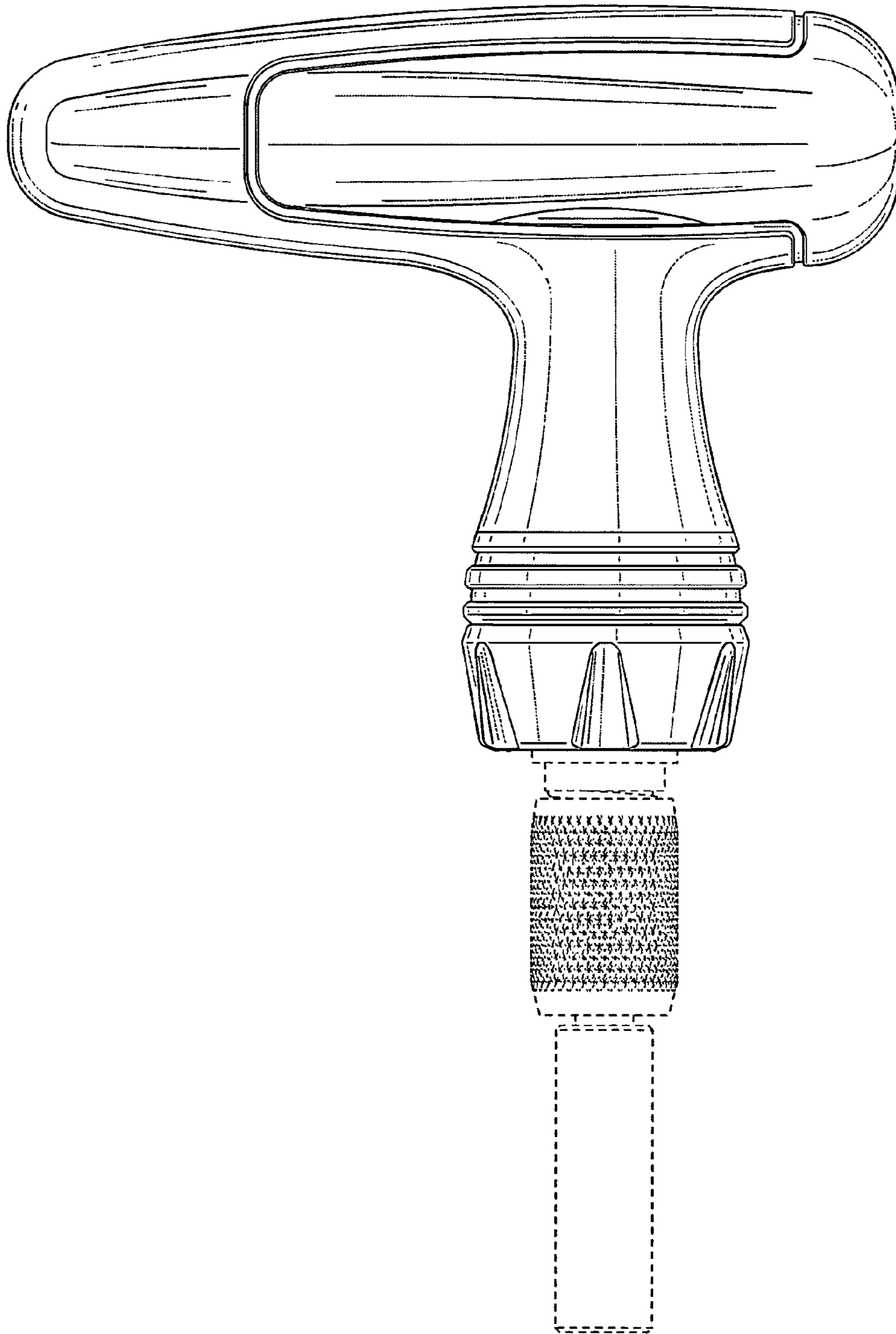


FIG. 3

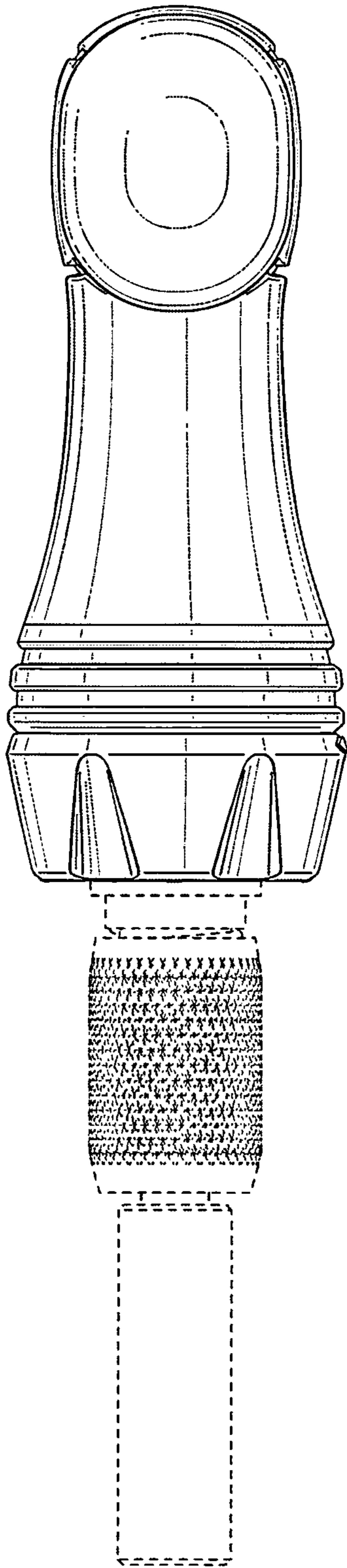


FIG. 4

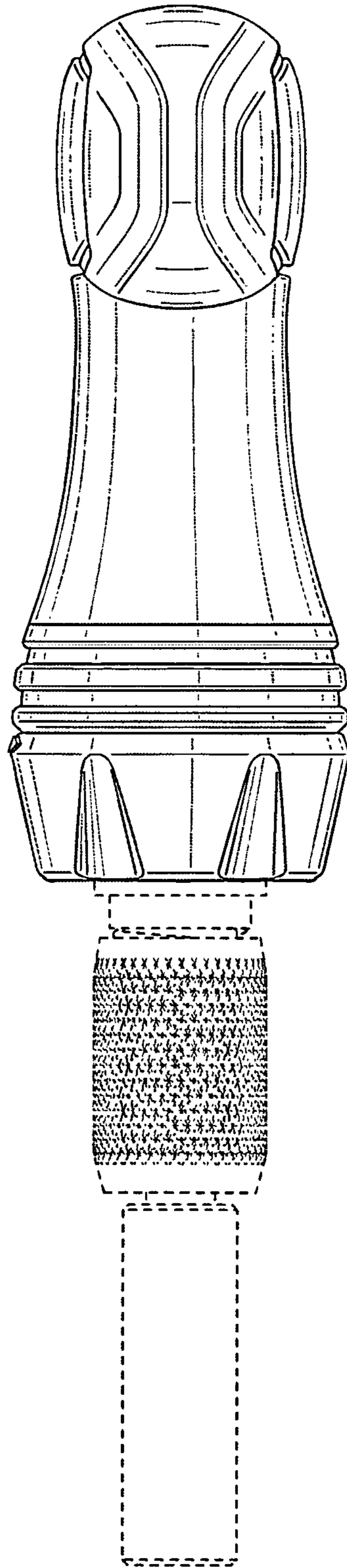


FIG. 5

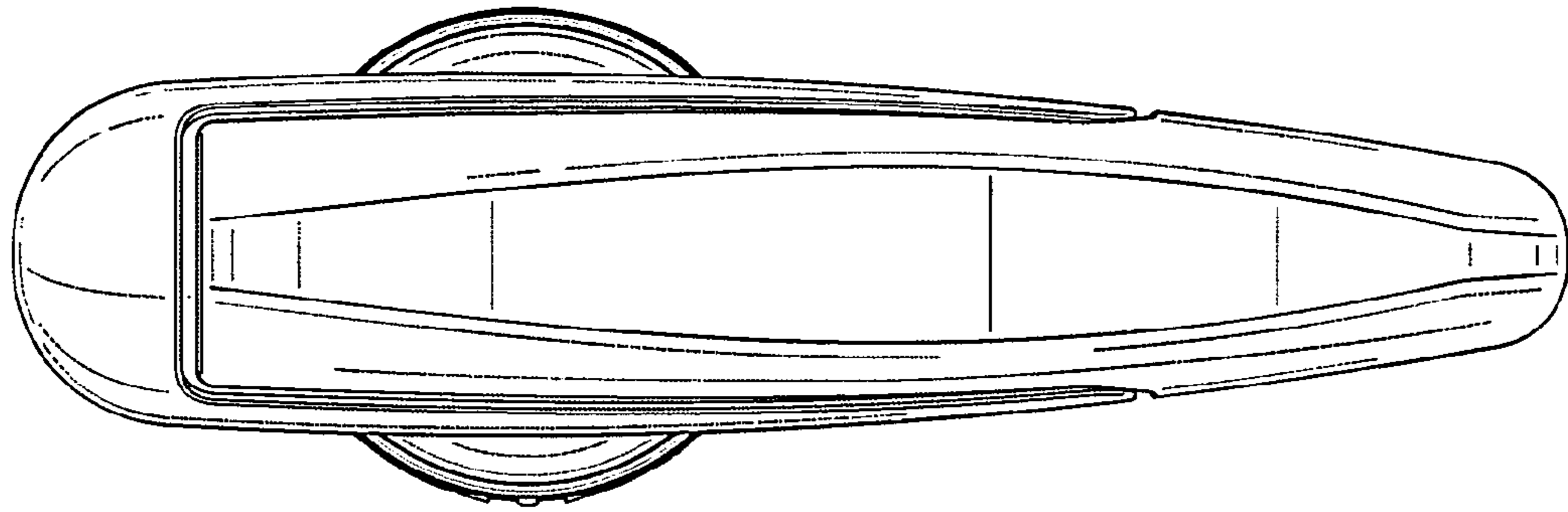


FIG. 6

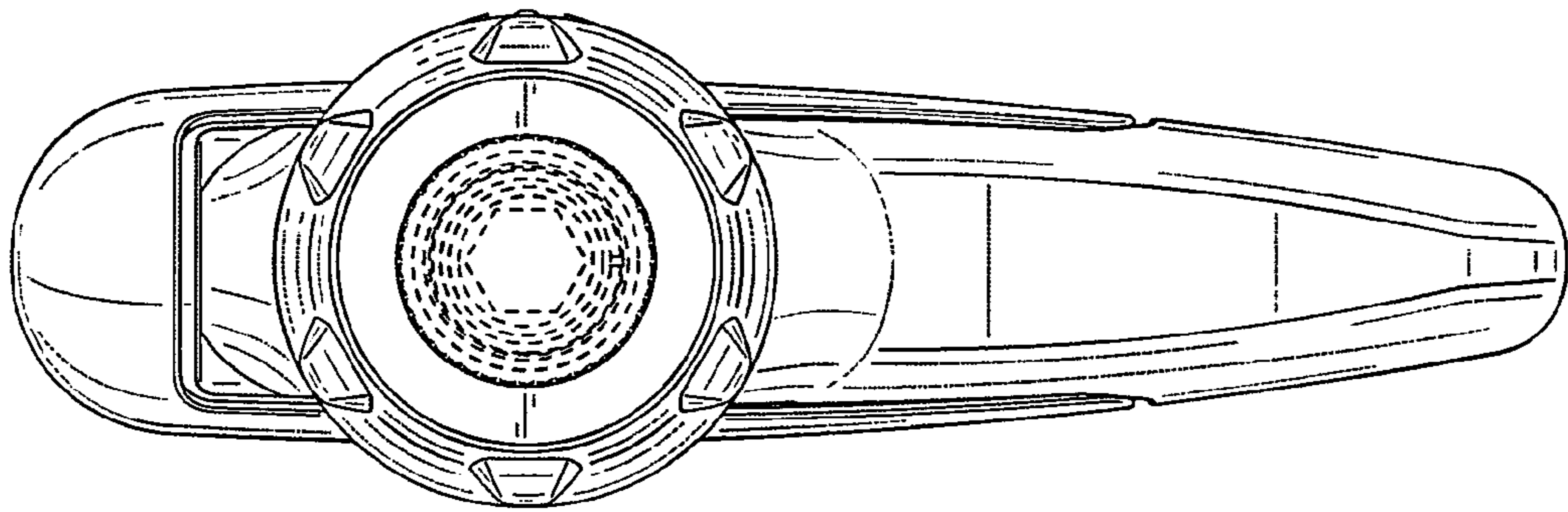


FIG. 7