



US00D734114S

(12) **United States Design Patent**
Robinson et al.

(10) **Patent No.:** **US D734,114 S**

(45) **Date of Patent:** **** Jul. 14, 2015**

(54) **TOOL HANDLE**

(71) Applicants: **Glenn Robinson**, Parkland, FL (US);
Allan Ospina, Hallandale Beach, FL (US)

(72) Inventors: **Glenn Robinson**, Parkland, FL (US);
Allan Ospina, Hallandale Beach, FL (US)

(73) Assignee: **IBT Holdings, LLC**, Deerfield Beach, FL (US)

(**) Term: **14 Years**

(21) Appl. No.: **29/442,559**

(22) Filed: **Mar. 25, 2013**

(51) **LOC (10) Cl.** **08-04**

(52) **U.S. Cl.**
USPC **D8/83**

(58) **Field of Classification Search**
USPC D8/21, 24-26, 29, 61, 82-87, 107, 300,
D8/307, 309-314; 81/52, 53.1,
81/177.1-177.4, 177.7, 467, 489-491
CPC A47J 43/26; B25B 13/463; B25B 13/468;
B25B 15/04; B25G 1/005; B25G 1/085
See application file for complete search history.

(56) **References Cited**

U.S. PATENT DOCUMENTS

D51,641 S *	1/1918	Hangrave	D8/82
D107,007 S *	11/1937	Cashmore	D8/82
D113,158 S *	1/1939	Cashmore	D8/82
2,653,638 A *	9/1953	Nelson	30/120.2
D259,698 S *	6/1981	MacNeill	D8/107
D260,478 S *	9/1981	Belaiche	D8/308
4,529,071 A *	7/1985	Gagnon et al.	192/43.1
D296,296 S *	6/1988	Lee	D8/83
4,893,529 A *	1/1990	Lin	81/177.4
D339,279 S *	9/1993	Baum	D8/83
D339,731 S *	9/1993	Stewart	D8/107

D339,732 S *	9/1993	Stewart	D8/107
D356,239 S *	3/1995	Lin	D8/82
D368,213 S *	3/1996	Marks et al.	D8/61
D369,816 S *	5/1996	Kingsley et al.	D15/142
D392,535 S *	3/1998	Vasudeva et al.	D8/83
D393,787 S *	4/1998	Savoie	D8/21
D409,463 S *	5/1999	McMullin	D8/25
D493,685 S *	8/2004	Dallas	D8/107
D527,979 S *	9/2006	Morris	D8/307
D586,634 S *	2/2009	Lai	D8/21
D613,144 S *	4/2010	Lin	D8/83
D618,077 S *	6/2010	Merten et al.	D8/29
D618,527 S *	6/2010	Deguglimo et al.	D8/29
D646,384 S *	10/2011	Gauthier et al.	D24/133
D646,385 S *	10/2011	Gauthier et al.	D24/133
D657,646 S *	4/2012	Schoch et al.	D8/61
D673,831 S *	1/2013	Molina et al.	D8/83
D673,832 S *	1/2013	Molina et al.	D8/83
D687,690 S *	8/2013	Chen	D8/26

* cited by examiner

Primary Examiner — Philip S Hyder

Assistant Examiner — Roselynn Cody

(74) *Attorney, Agent, or Firm* — Dan M. DeLaRosa

(57) **CLAIM**

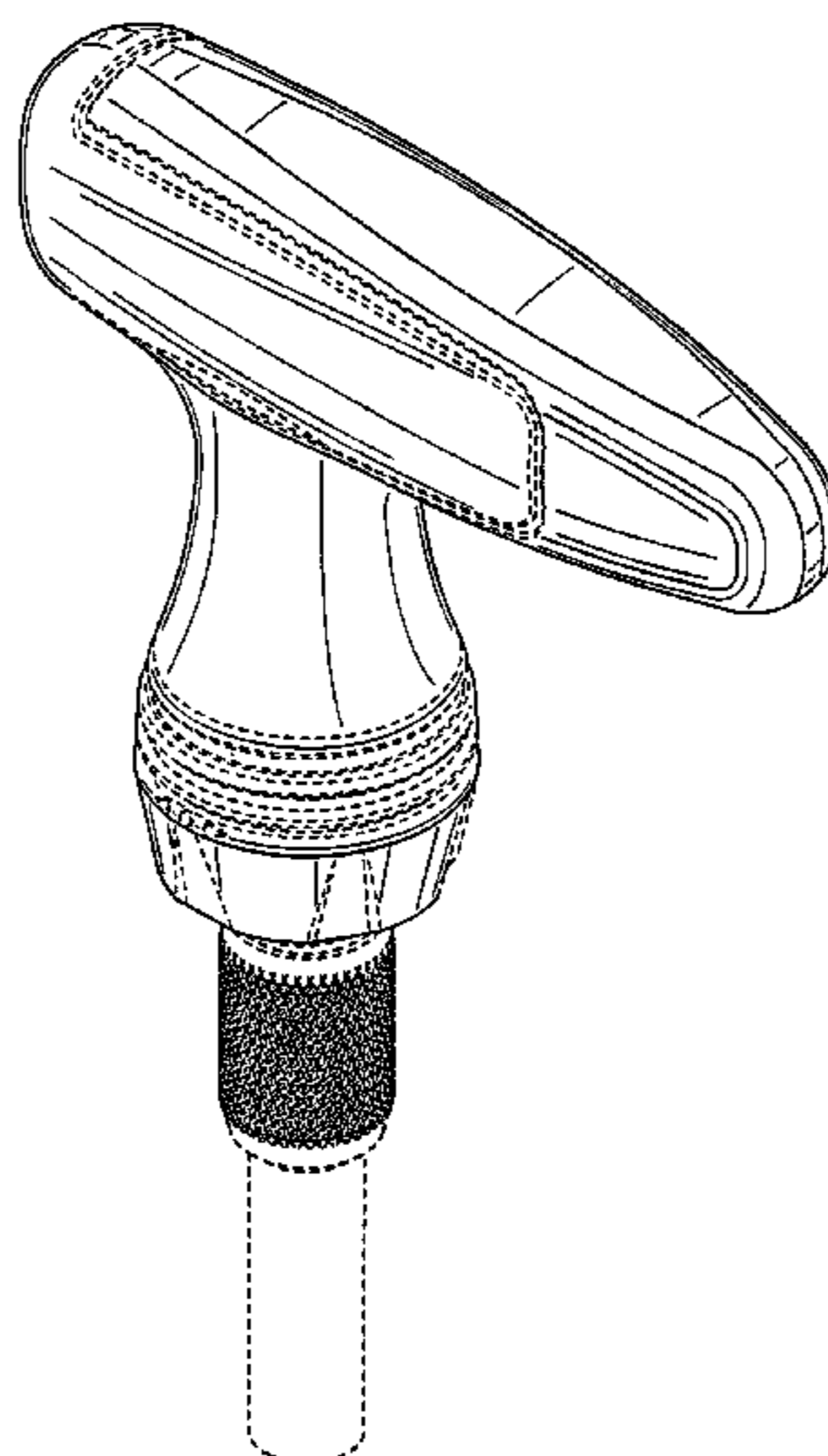
The ornamental design for a tool handle, as shown and described.

DESCRIPTION

FIG. 1 is a front perspective view of the tool handle of the present invention showing my new design; FIG. 2 is a front elevational view thereof; FIG. 3 is a back elevational view thereof; FIG. 4 is side elevational view thereof; FIG. 5 is another side elevational view thereof; FIG. 6 is a bottom plan view thereof; and, FIG. 7 is a top plan view thereof.

The broken lines on the body of the tool handle illustrate details that form no part of the claim. The broken lines below the tool handle illustrate environment and also form no part of the claim.

1 Claim, 6 Drawing Sheets



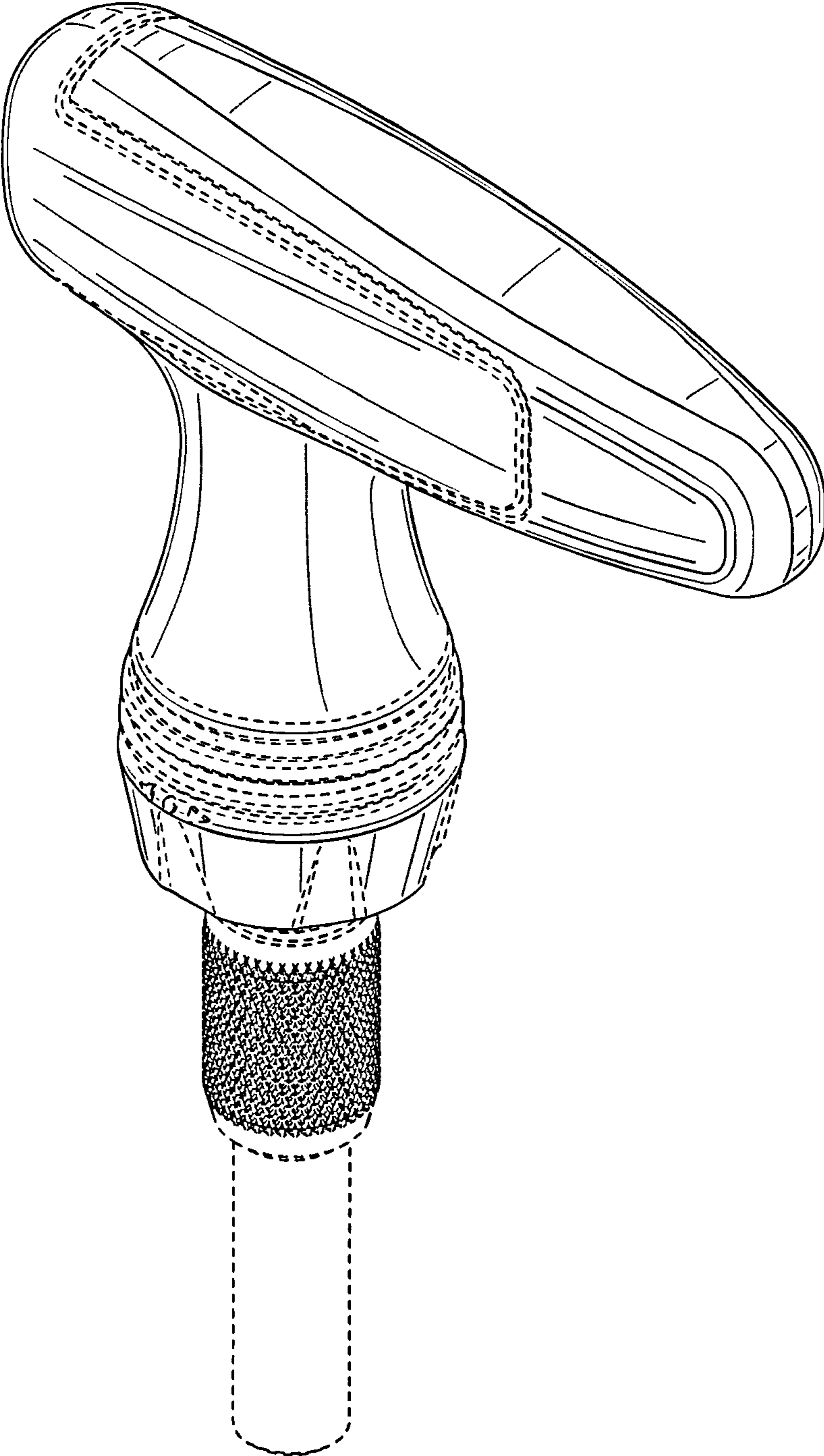


FIG. 1

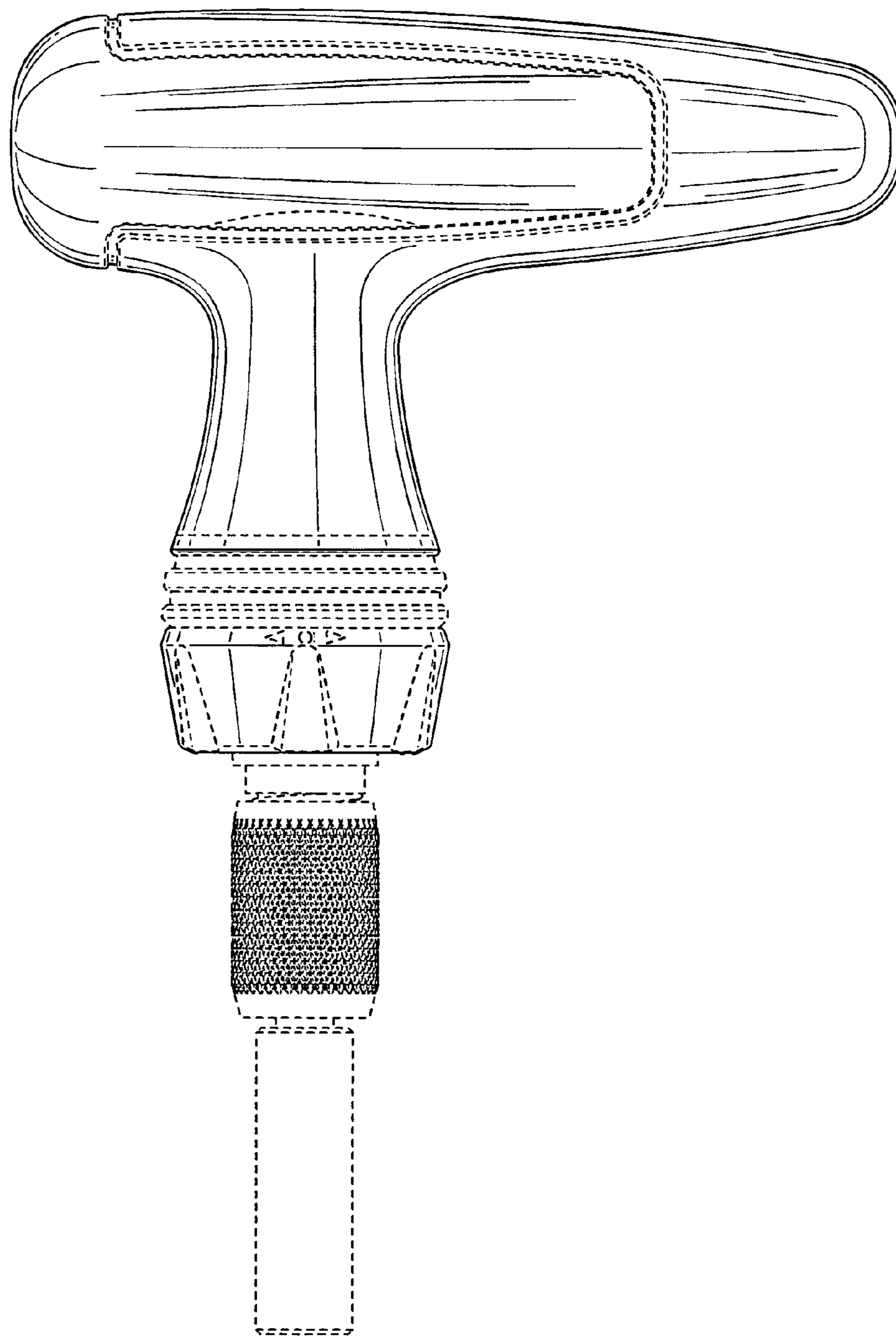


FIG. 2

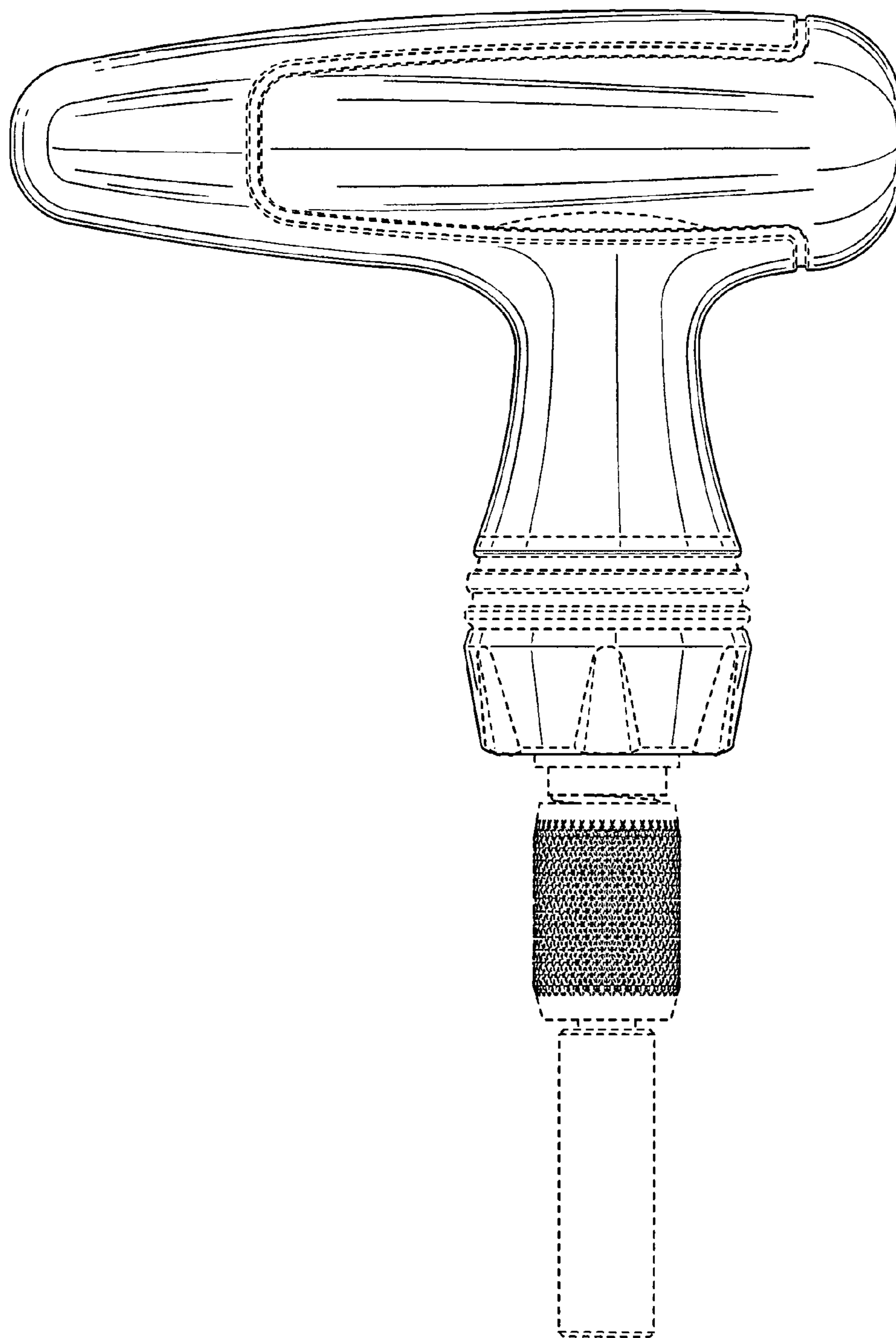


FIG. 3

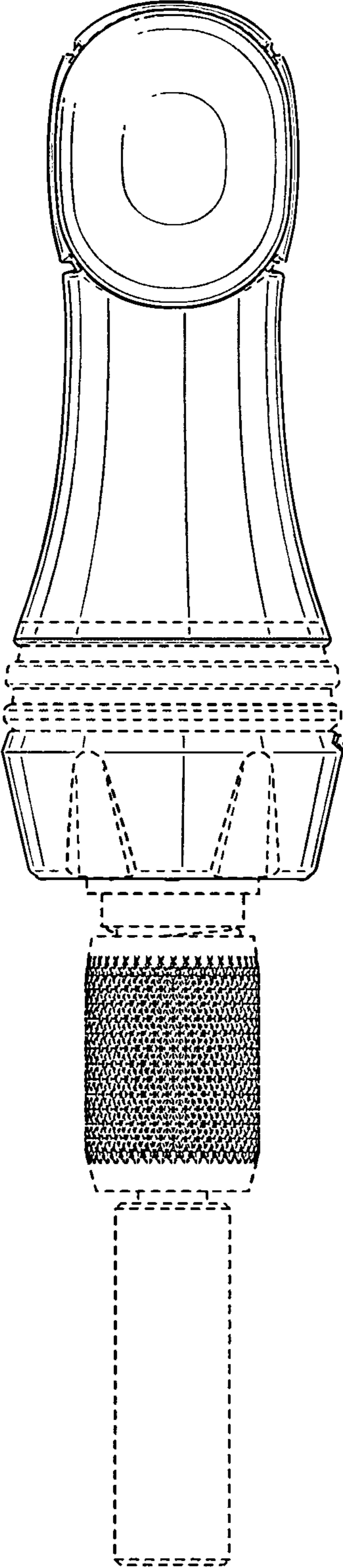


FIG. 4

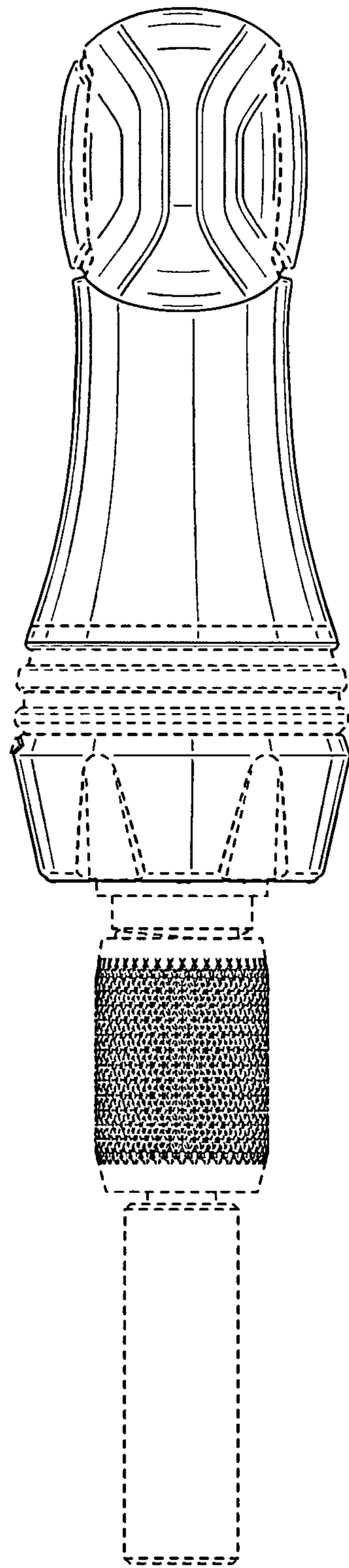


FIG. 5

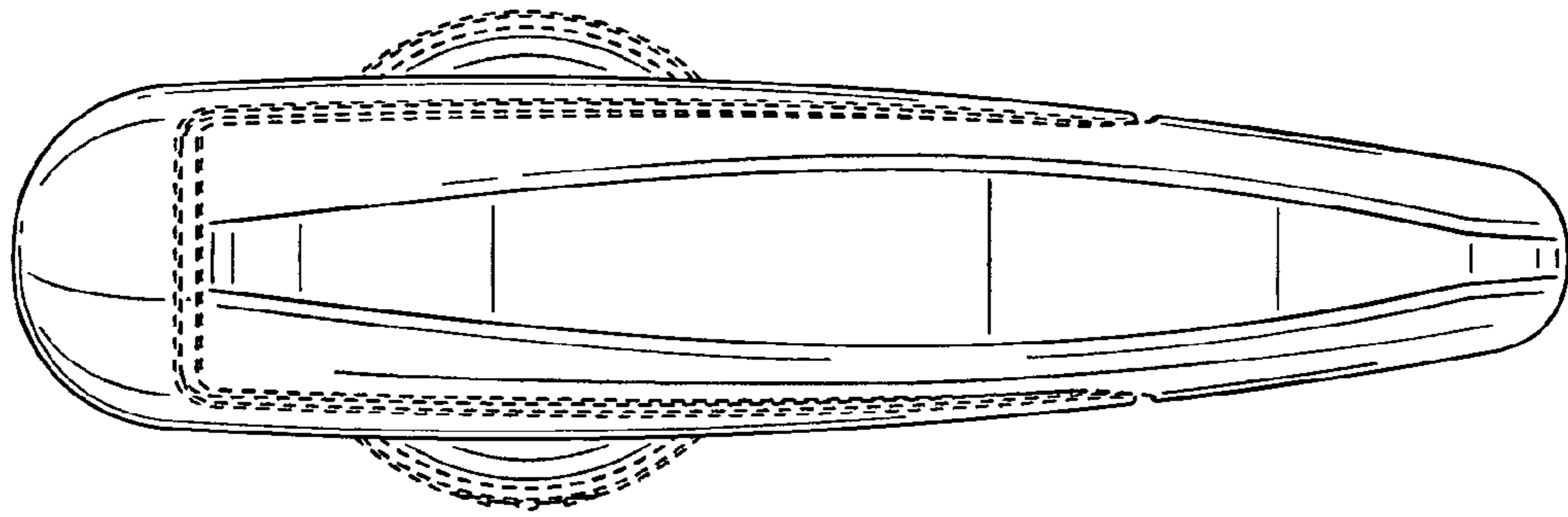


FIG. 6

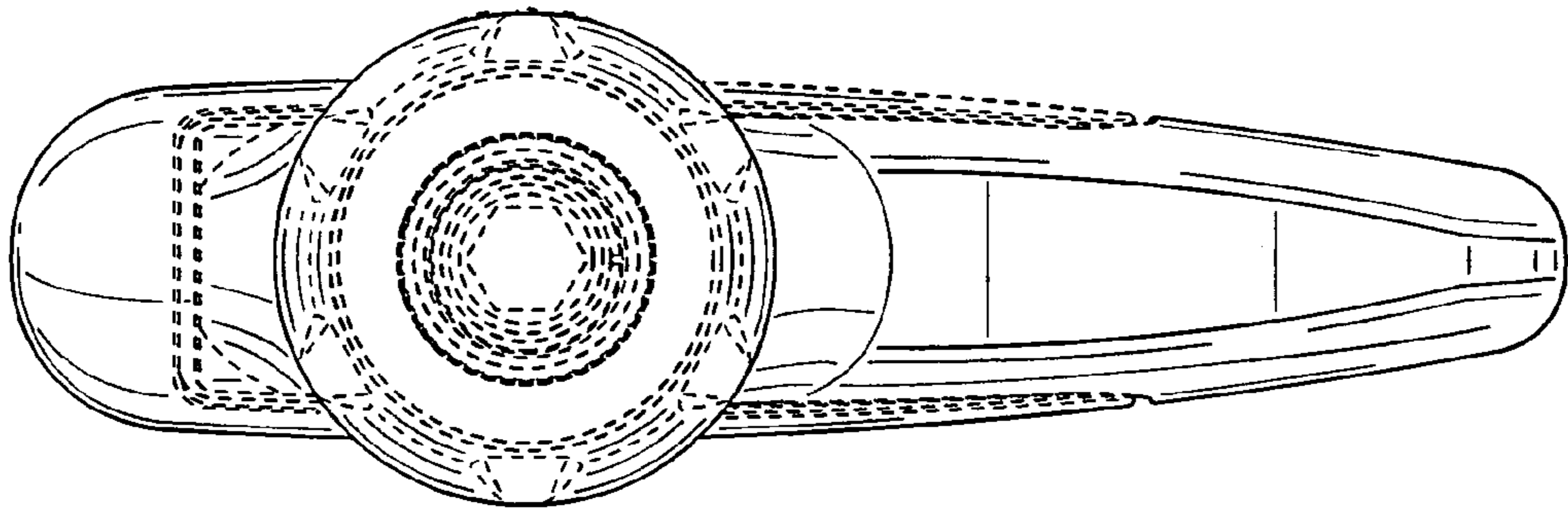


FIG. 7