



US00D734113S

(12) **United States Design Patent**
Trice

(10) **Patent No.:** **US D734,113 S**
(45) **Date of Patent:** **** Jul. 14, 2015**

- (54) **DEMOLITION TOOL HANDLE AND TOOL END**
- (71) Applicant: **Evers C. Trice**, Frederick, MD (US)
- (72) Inventor: **Evers C. Trice**, Frederick, MD (US)
- (73) Assignee: **Trice Enterprise, LLC**, Frederick, MD (US)
- (**) Term: **14 Years**
- (21) Appl. No.: **29/442,666**
- (22) Filed: **Apr. 15, 2013**

D140,821 S *	4/1945	MacWithey	D8/79
D163,533 S *	6/1951	Mills	D8/81
D262,186 S *	12/1981	Royce	D8/79
D291,402 S *	8/1987	Square	D8/75
D300,111 S *	3/1989	Square	D8/75
D369,734 S *	5/1996	Sanger	D8/78
D507,167 S *	7/2005	Richardson	D8/81
D525,506 S *	7/2006	Downing, Jr.	D8/78
D558,552 S *	1/2008	Kuo	D8/75
D562,101 S *	2/2008	Martone et al.	D8/89
D567,620 S *	4/2008	Martone et al.	D8/81
D579,301 S *	10/2008	Jones	D8/105
D595,555 S *	7/2009	Vanderbeek	D8/89
2009/0276962 A1 *	11/2009	Adams et al.	7/144
2012/0272459 A1 *	11/2012	Trice	7/144

* cited by examiner

Related U.S. Application Data

- (63) Continuation-in-part of application No. 29/421,504, filed on Aug. 3, 2012, now Pat. No. Des. 683,608, which is a continuation-in-part of application No. 13/064,955, filed on Apr. 28, 2011, now Pat. No. 8,458,838.
- (51) **LOC (10) Cl.** **08-02**
- (52) **U.S. Cl.**
USPC **D8/78**
- (58) **Field of Classification Search**
USPC D8/14, 75-81, 105; 7/143-147;
81/20-24; 254/26 R
See application file for complete search history.

Primary Examiner — Philip S Hyder

Assistant Examiner — Roselynn Cody

(74) *Attorney, Agent, or Firm* — Breiner & Breiner, L.L.C.

(57) **CLAIM**

The ornamental design for a demolition tool handle and tool end, as shown and described.

DESCRIPTION

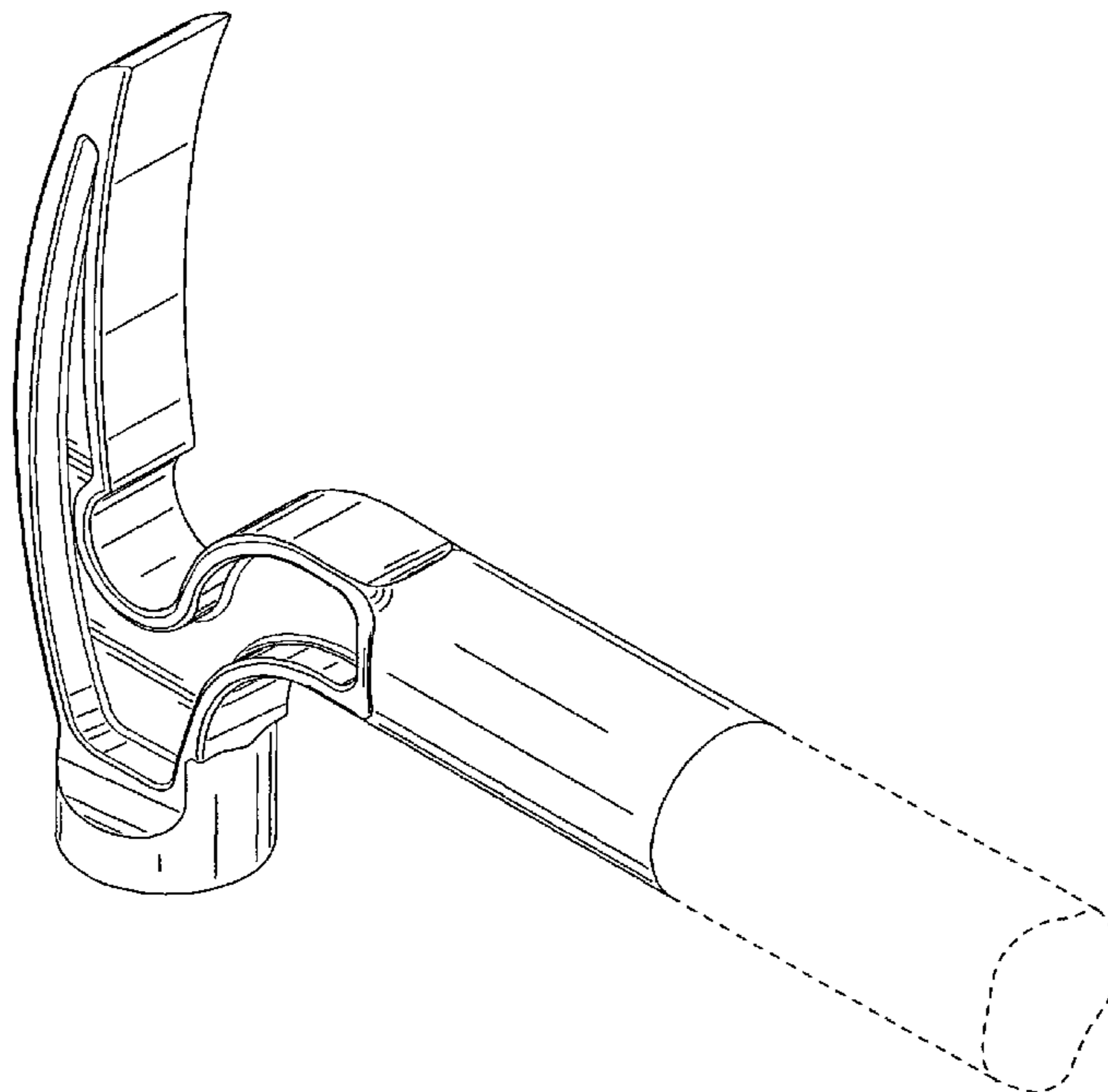
FIG. 1 is a perspective view of the demolition tool handle and tool end;
 FIG. 2 is a side view thereof, the opposite side being a mirror image;
 FIG. 3 is a first end view thereof;
 FIG. 4 is a second end view thereof;
 FIG. 5 is a top view thereof; and,
 FIG. 6 is a bottom view thereof.
 The broken lines in the drawings are directed to environment and form no part of the claim.

1 Claim, 4 Drawing Sheets

(56) **References Cited**

U.S. PATENT DOCUMENTS

905,676 A *	12/1908	Evans	254/26 R
1,042,177 A *	10/1912	Vredenburg	254/26 R
D110,735 S *	8/1938	Rubel	D8/75



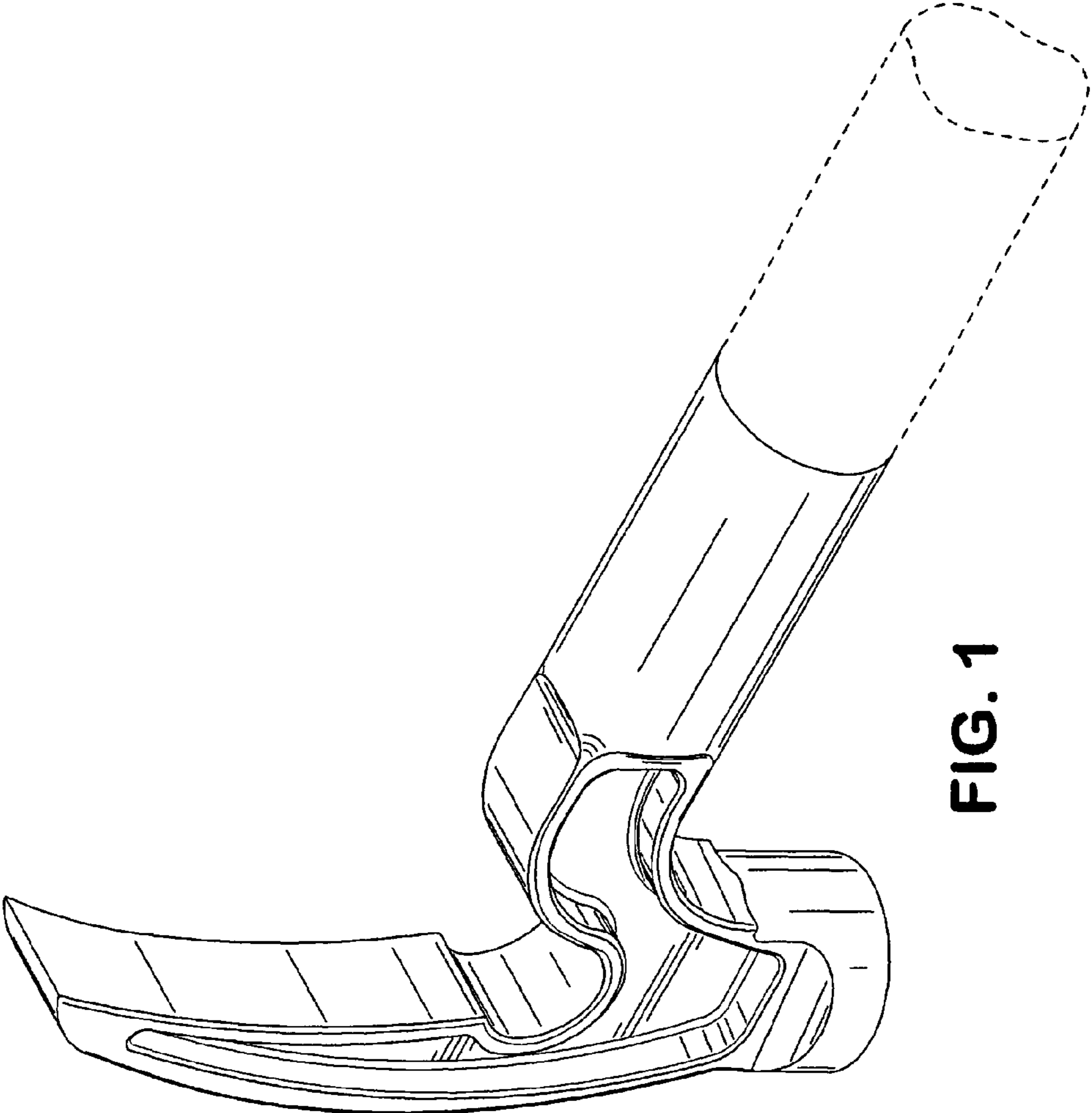


FIG. 1

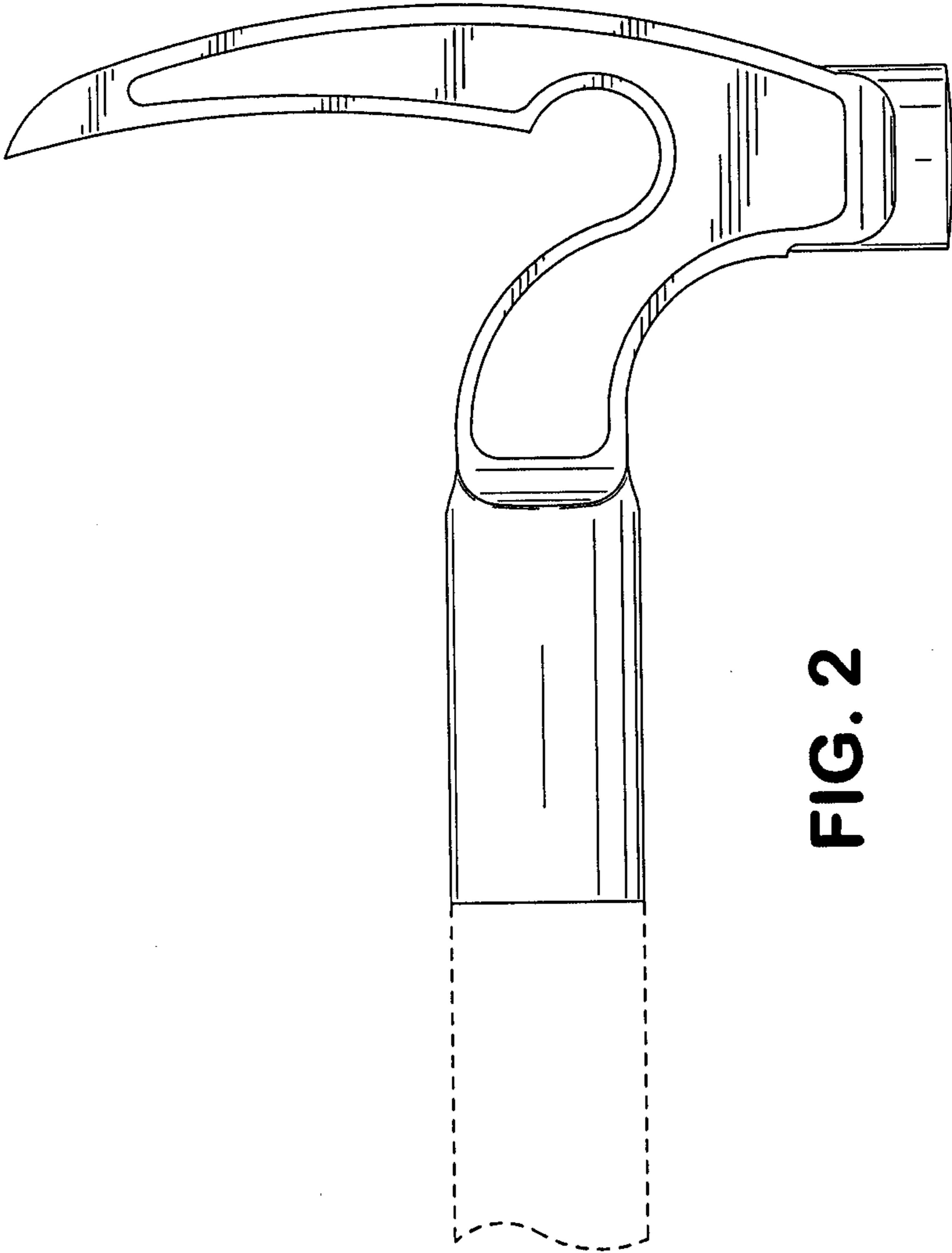


FIG. 2

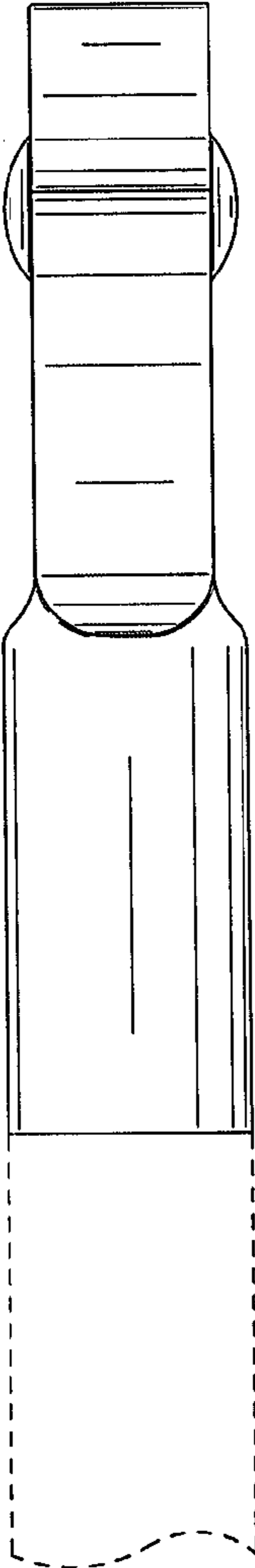


FIG. 3

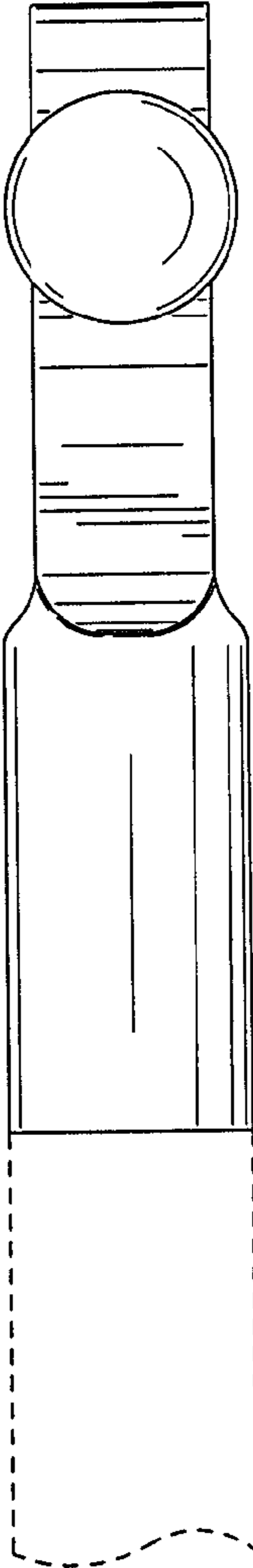


FIG. 4

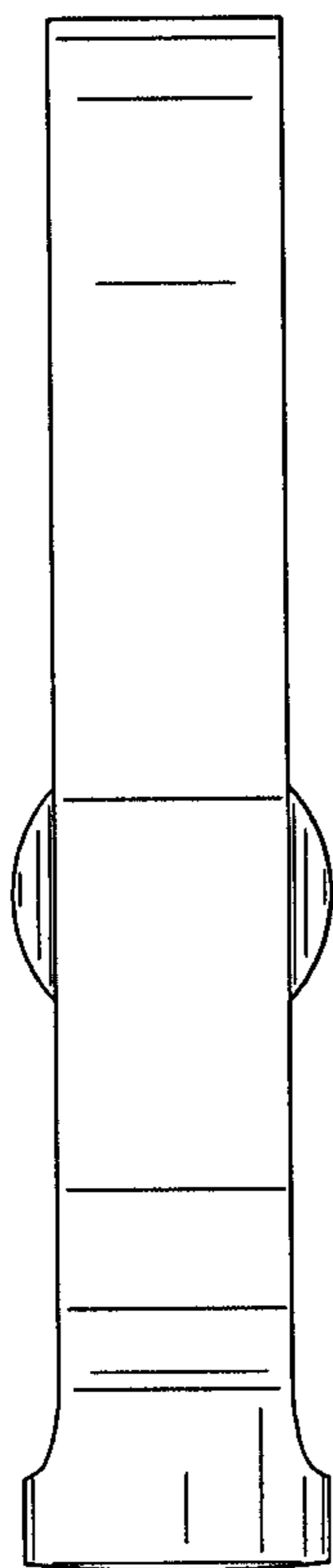


FIG. 5

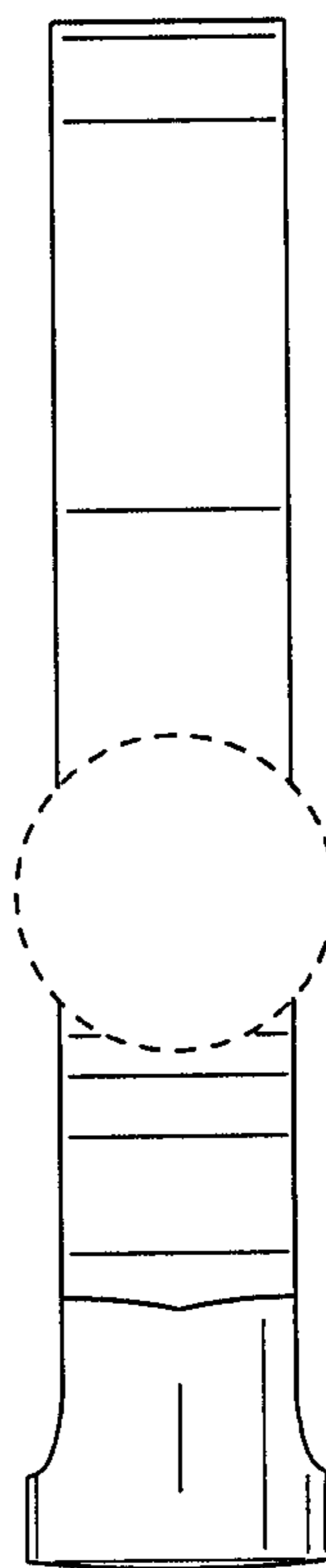


FIG. 6