

US00D734111S

(12) **United States Design Patent**  
**Ayats et al.**

(10) **Patent No.:** **US D734,111 S**  
(45) **Date of Patent:** **\*\* Jul. 14, 2015**

(54) **APPLICATOR**

D496,511 S \* 9/2004 Colburn et al. .... D32/45  
6,948,193 B2 \* 9/2005 Hsu ..... 4/227.1  
D511,446 S \* 11/2005 Pereira et al. .... D8/14.1

(71) Applicant: **Reckitt Benckiser (Brands) Limited**,  
Slough, Berkshire (GB)

(Continued)

(72) Inventors: **Francesc Ardite Ayats**, Barcelona (ES);  
**Randy Bos**, Eindhoven (NL); **Arnoldus  
Johannus Claassen**, Eindhoven (NL);  
**Alexander Emmerich**, Mazowiecki  
(PL); **Jos Harrison**, Slough (GB);  
**Christopher Leonard Padain**, Slough  
(GB)

*Primary Examiner* — Brian N Vinson

(74) *Attorney, Agent, or Firm* — Norris, McLaughlin &  
Marcus PA

(73) Assignee: **Reckitt Benckiser (Brands) Limited**,  
Slough, Berkshire (GB)

(57) **CLAIM**

The ornamental design for a applicator, as shown and  
described.

(\*\*) Term: **14 Years**

**DESCRIPTION**

(21) Appl. No.: **29/482,935**

(22) Filed: **Feb. 24, 2014**

(30) **Foreign Application Priority Data**

Sep. 6, 2013 (EM) ..... 002304055

(51) **LOC (10) Cl.** ..... **08-01**

(52) **U.S. Cl.**  
USPC ..... **D8/14; D9/727; D23/208; D32/35**

(58) **Field of Classification Search**  
USPC ..... **D8/14, 14.1; D9/723, 272, 728, 729;**  
**D23/208; D32/35, 45; 4/223, 225.1,**  
**4/227.1, 231; 15/145, 147.1**  
See application file for complete search history.

FIG. 1 is a perspective view showing a first embodiment of the  
applicator;

FIG. 2 is a plan view of a first side of the applicator of FIG. 1;  
FIG. 3 is plan view of a second side of the applicator of FIG.  
1;

FIG. 4 is a plan view of a third side of the applicator of FIG.  
1;

FIG. 5 is a plan view of fourth side of the applicator of FIG. 1;  
FIG. 6 is a plan view of the top of the applicator of FIG. 1;

FIG. 7 is a plan view of the underside of the applicator of FIG.  
1;

FIG. 8 is a perspective view showing a second embodiment of  
the applicator;

FIG. 9 is a plan view of a first side of the applicator of FIG. 8;  
FIG. 10 is plan view of a second side of the applicator of FIG.  
8;

FIG. 11 is a plan view of a third side of the applicator of FIG.  
8;

FIG. 12 is a plan view of fourth side of the applicator of FIG.  
8;

FIG. 13 is a plan view of the top of the applicator of FIG. 8;  
and,

FIG. 14 is a plan view of the underside of the applicator of  
FIG. 8.

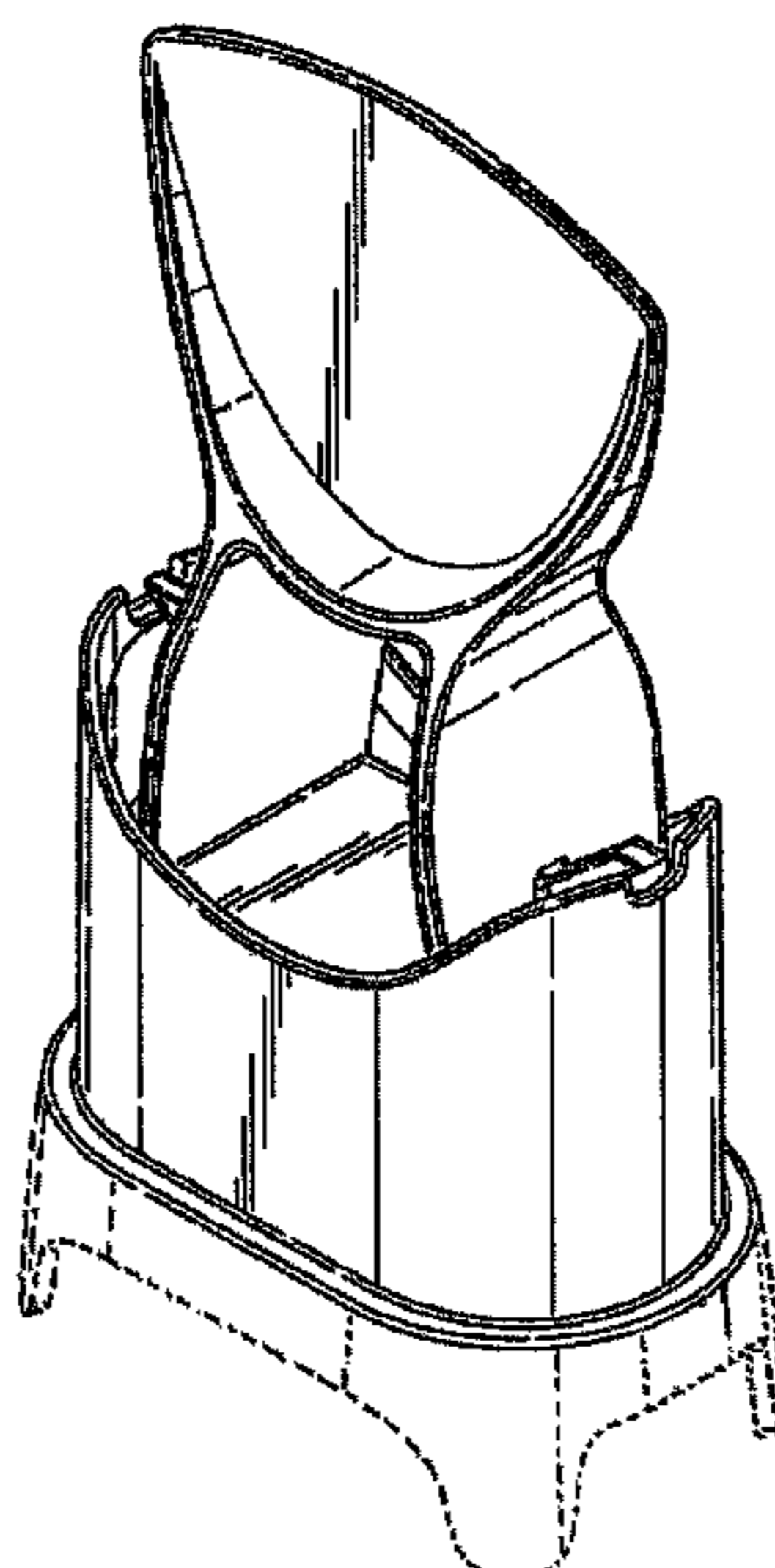
The broken line disclosure in the views represents portions of  
the applicator which form no part of the claimed design.

(56) **References Cited**

**U.S. PATENT DOCUMENTS**

4,852,201 A \* 8/1989 Wundrock et al. .... 15/145  
D414,105 S \* 9/1999 Wilson et al. .... D9/727  
D416,389 S \* 11/1999 Frazier ..... D32/45  
D427,520 S \* 7/2000 Crawford ..... D9/728  
D480,959 S \* 10/2003 Dewood ..... D9/723

**1 Claim, 12 Drawing Sheets**



# US D734,111 S

Page 2

---

(56)

## References Cited

### U.S. PATENT DOCUMENTS

D613,367 S *	4/2010	Burt et al. ....	D23/208
2013/0095238 A1	4/2013	DelGigante et al.	
2013/0117917 A1	5/2013	DelGigante et al.	
D528,012 S *	9/2006	Snyder .....	D9/727

\* cited by examiner

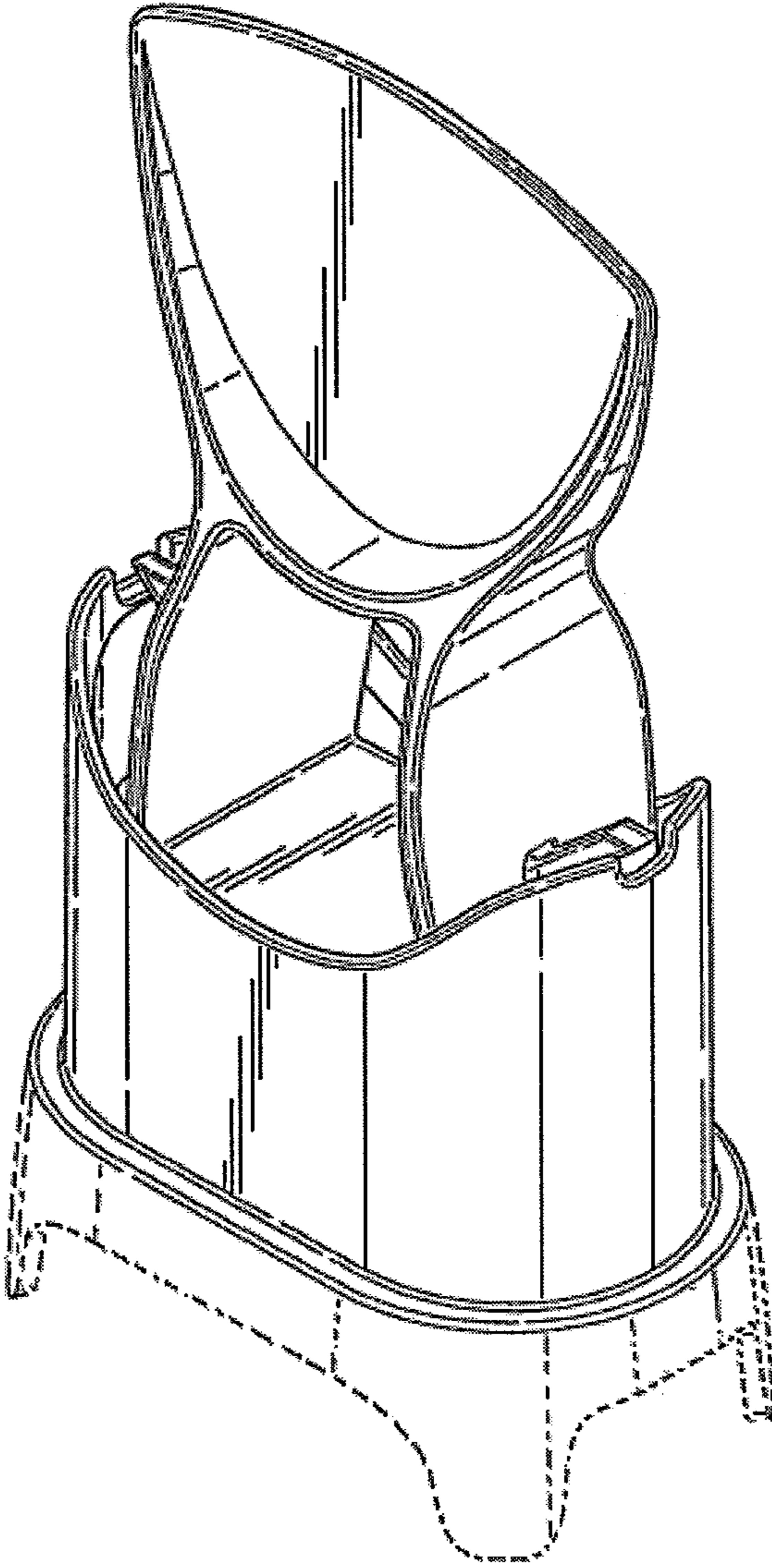
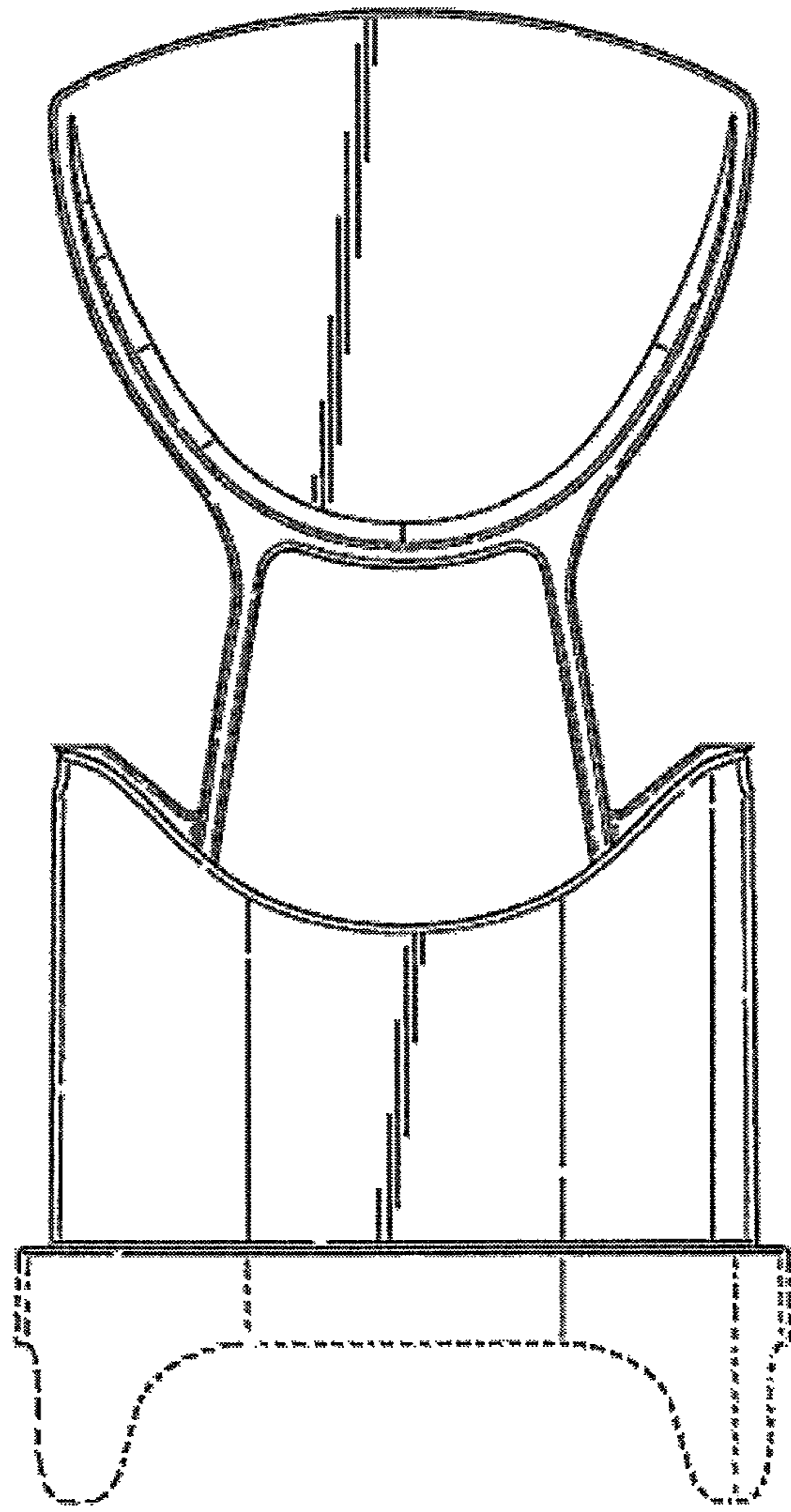
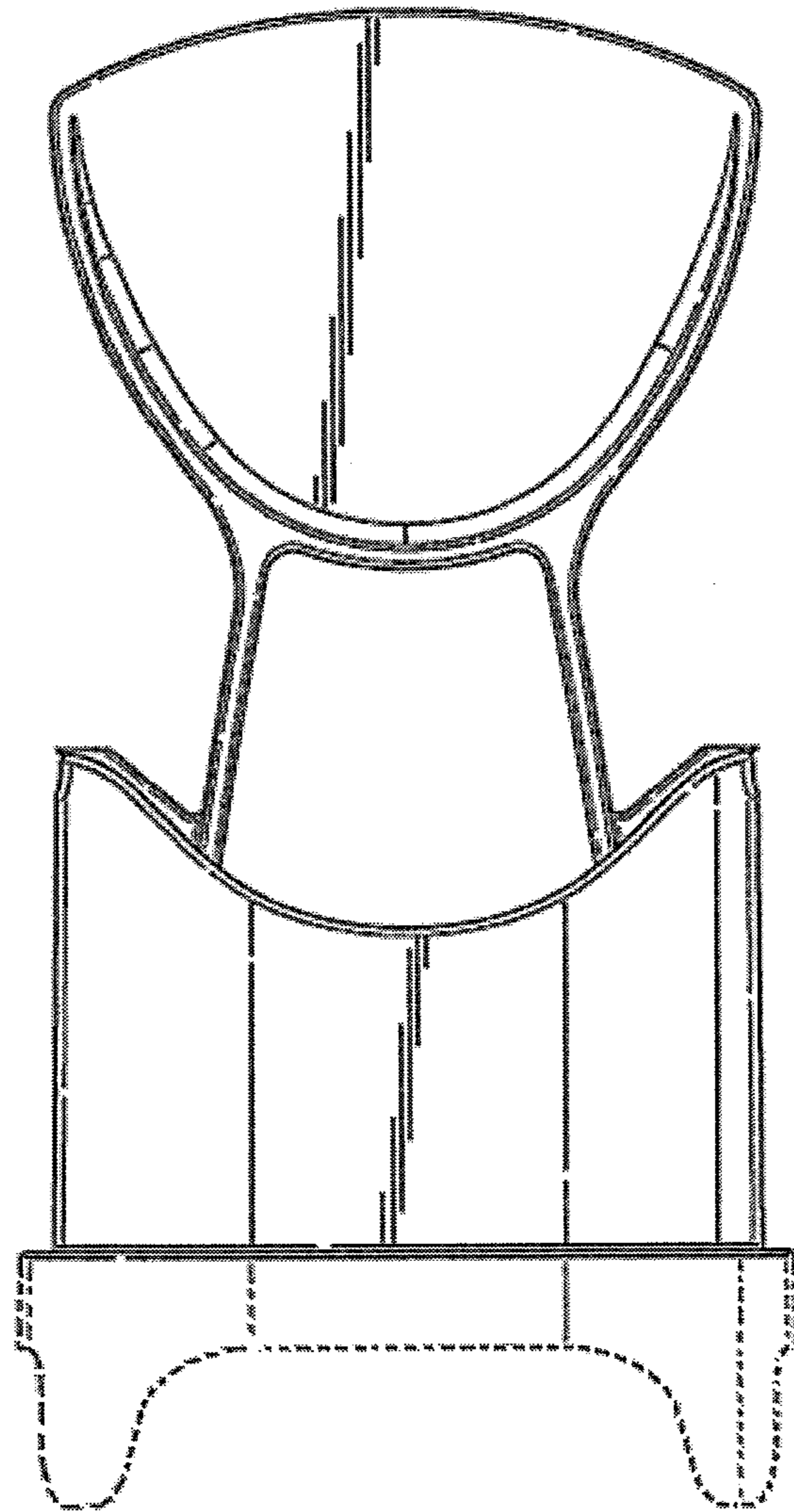


Fig. 1



**Fig. 2**



**Fig. 3**

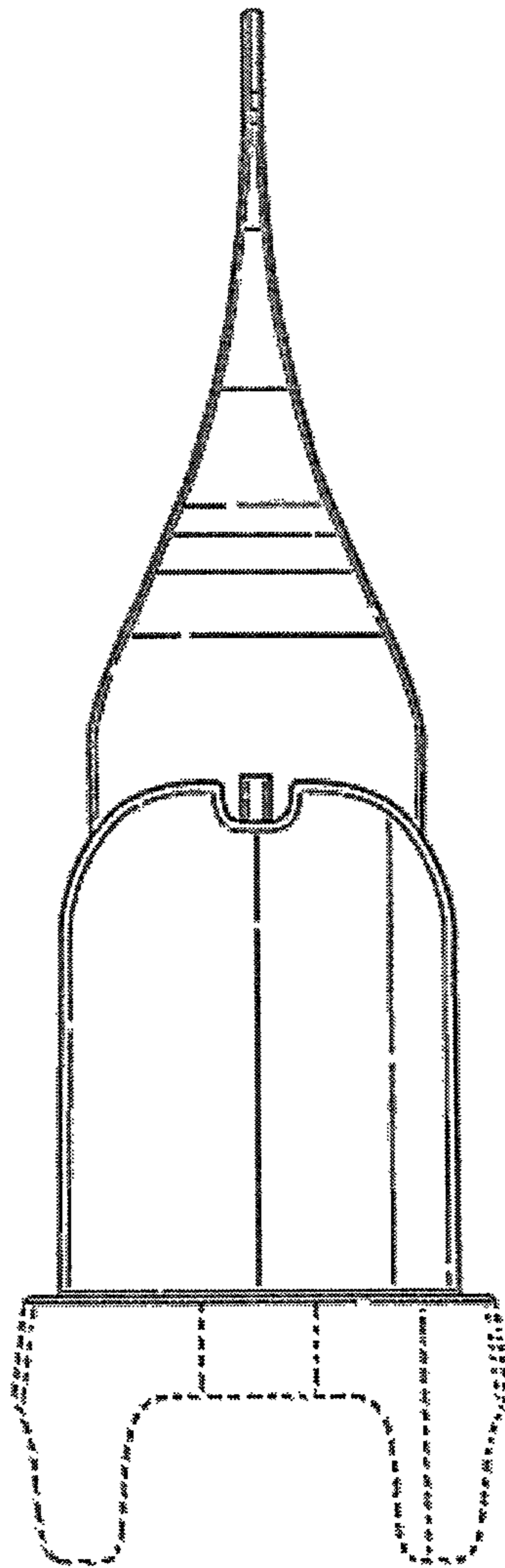


Fig. 4

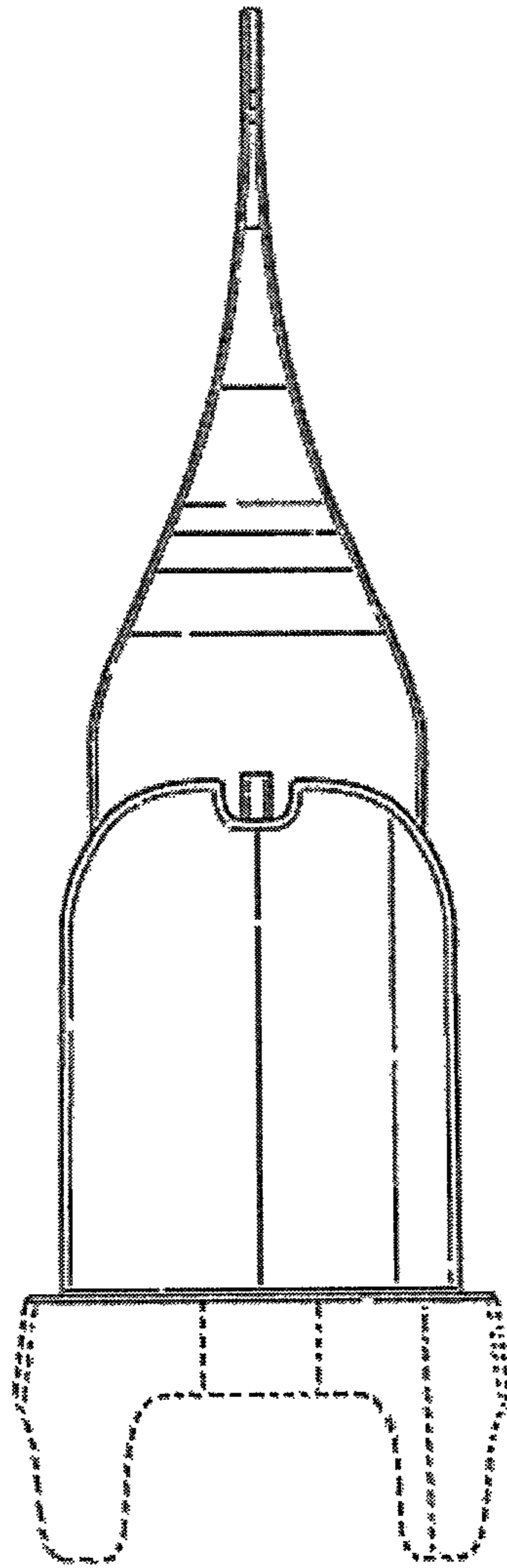
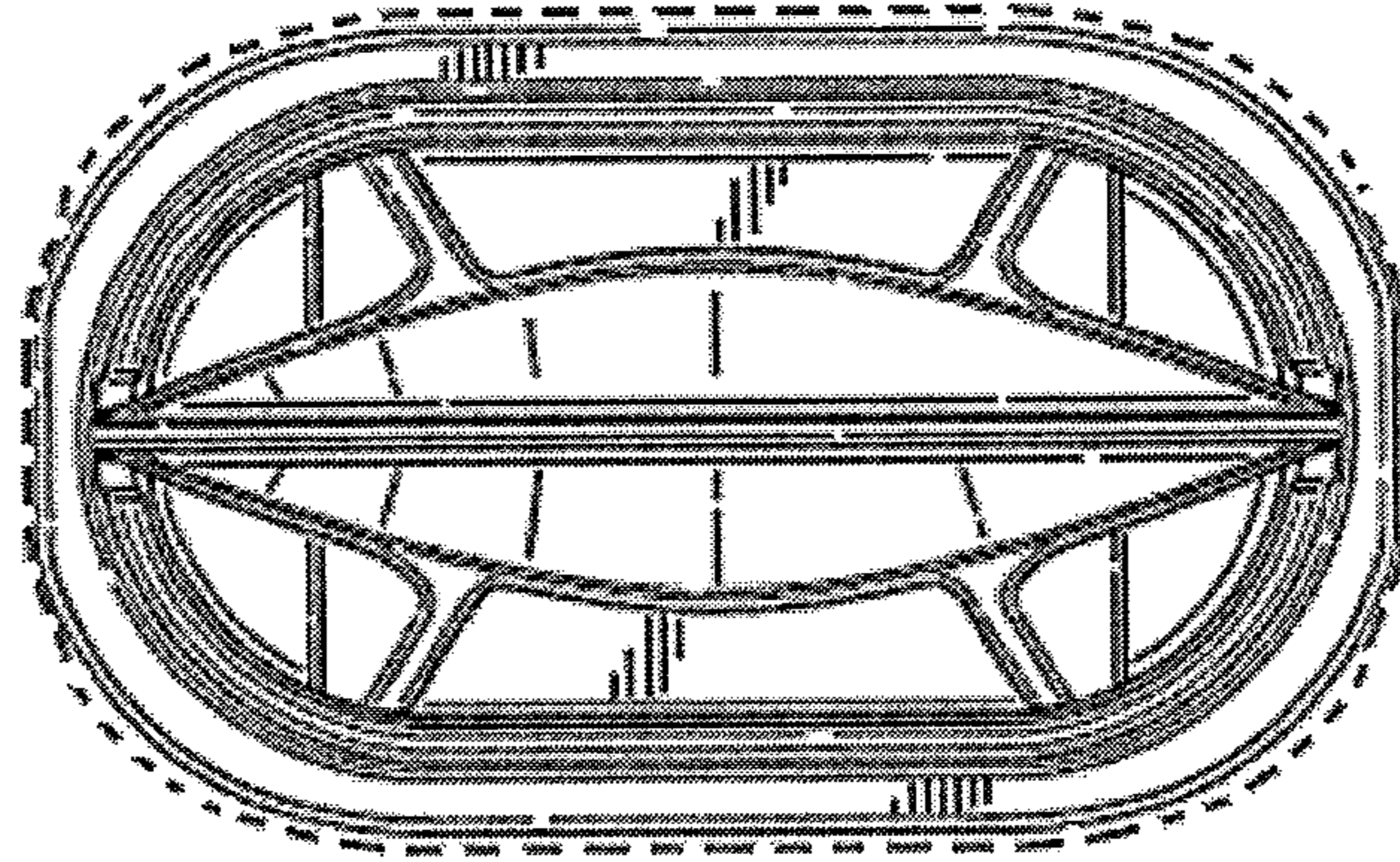
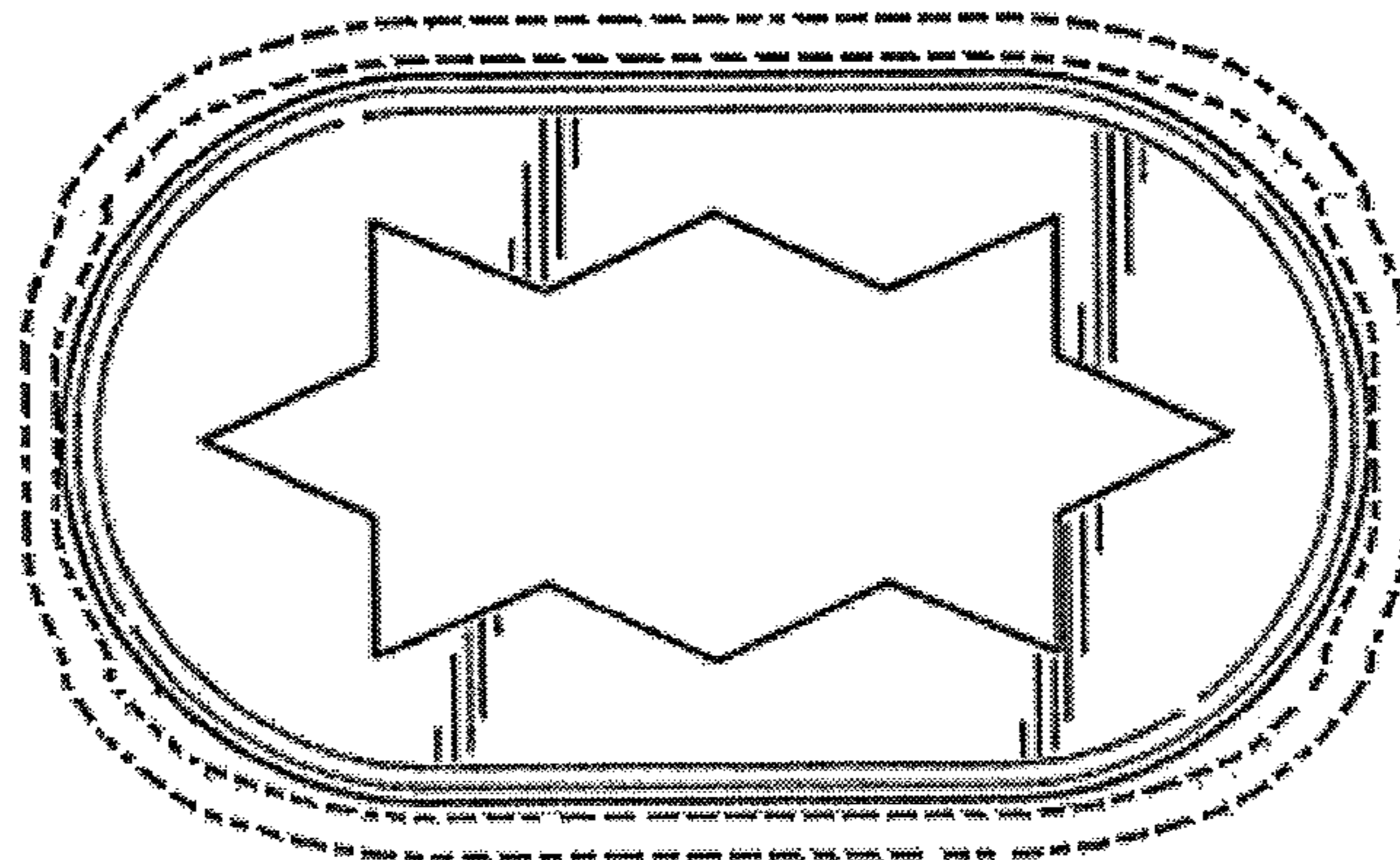


Fig. 5



**Fig. 6**



**Fig. 7**



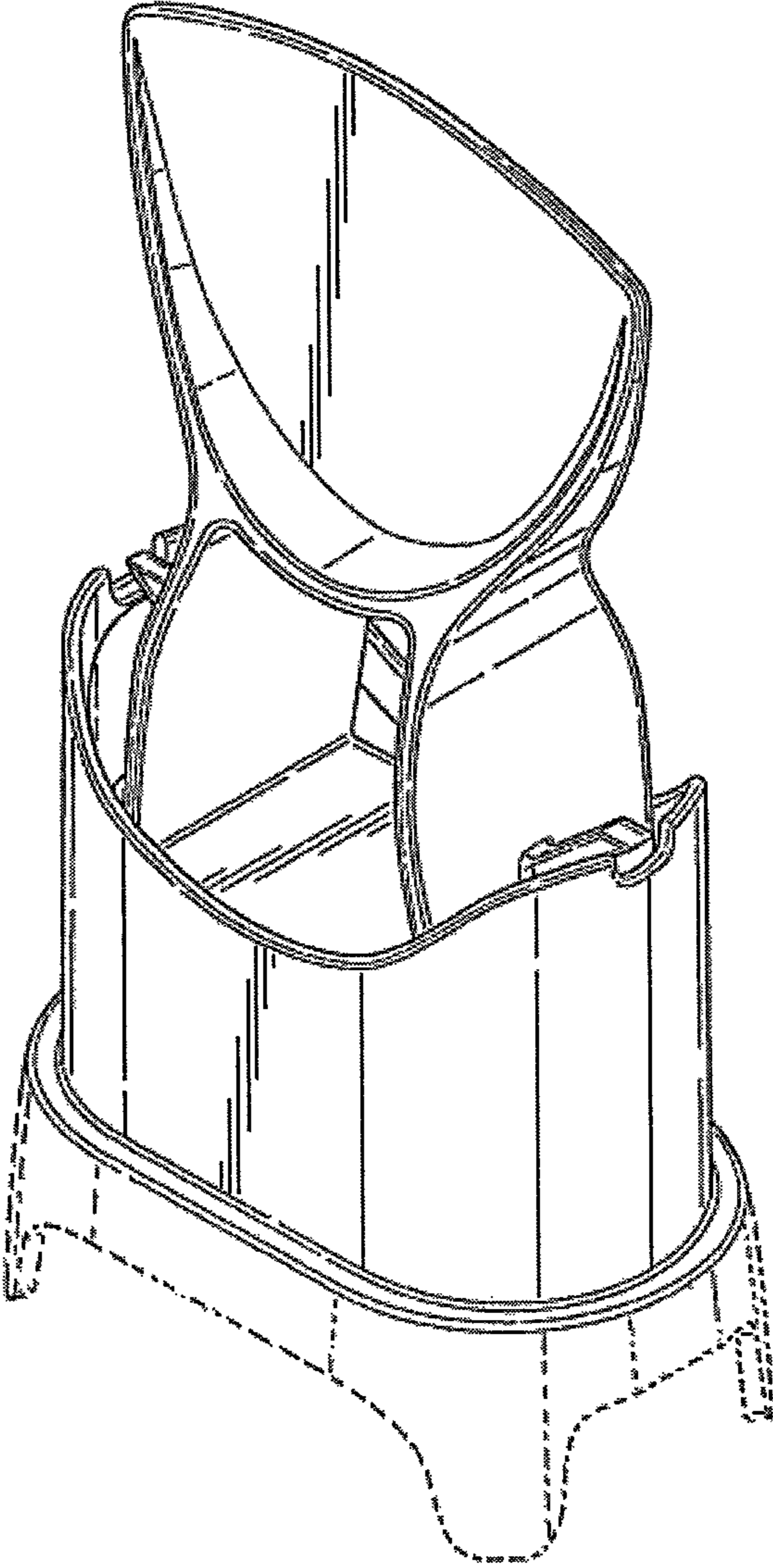


Fig. 8

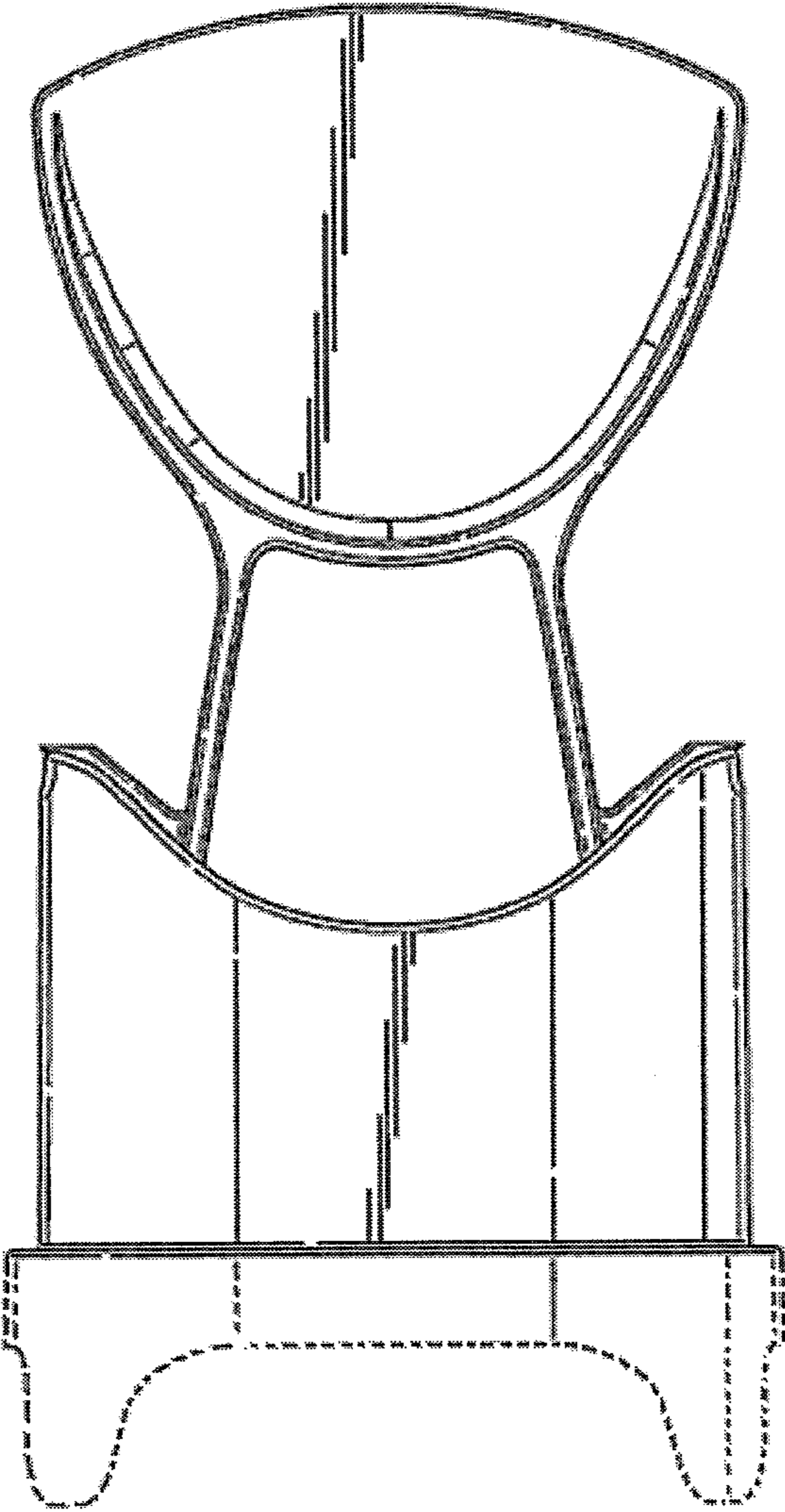


Fig. 9

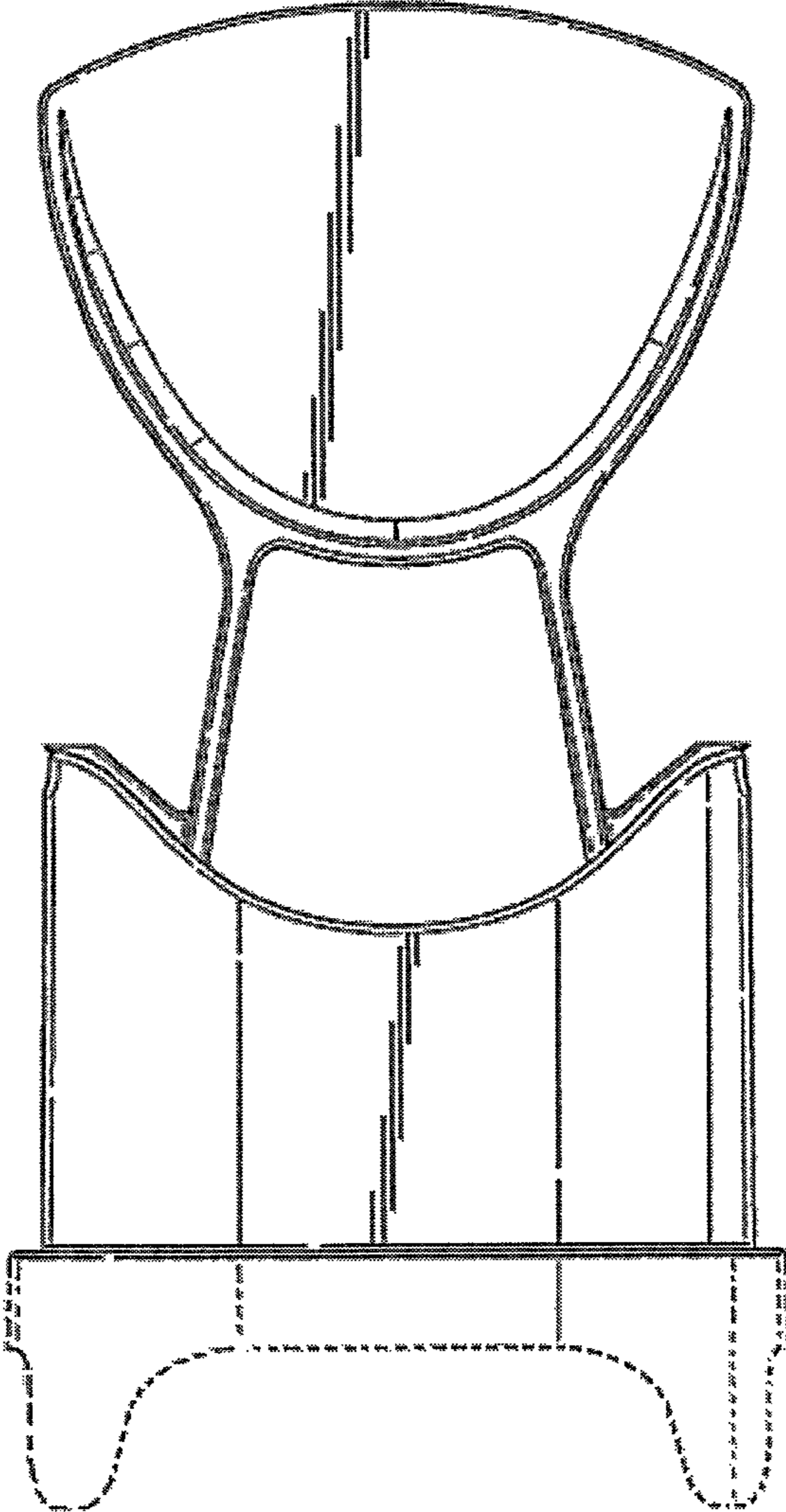


Fig. 10

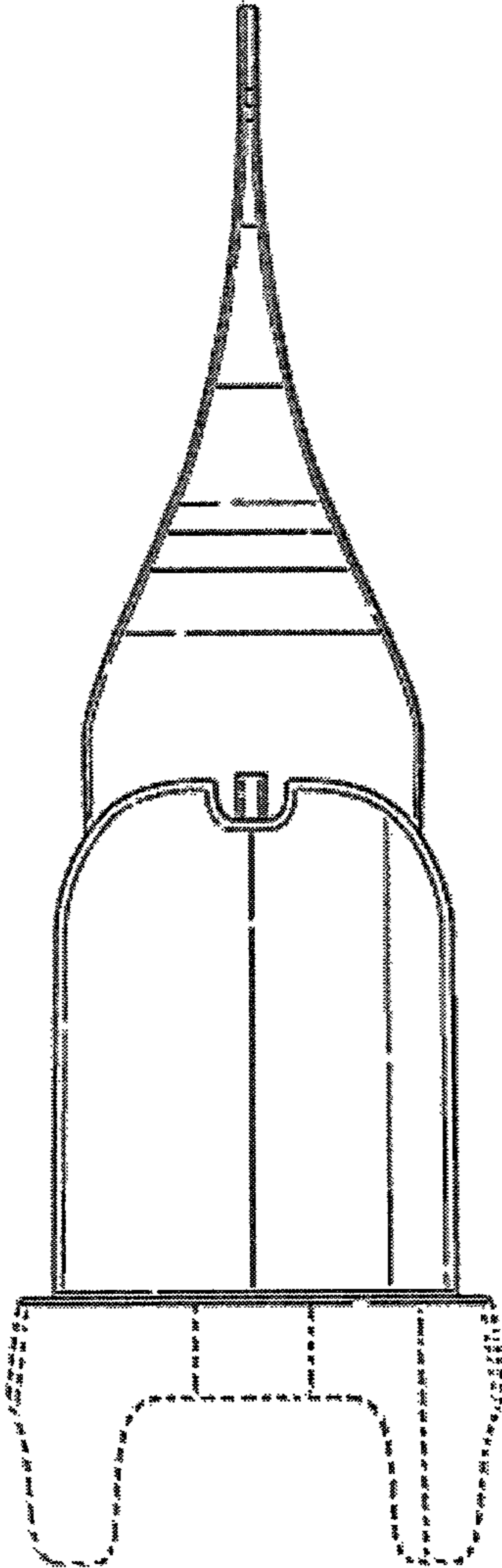


Fig. 11

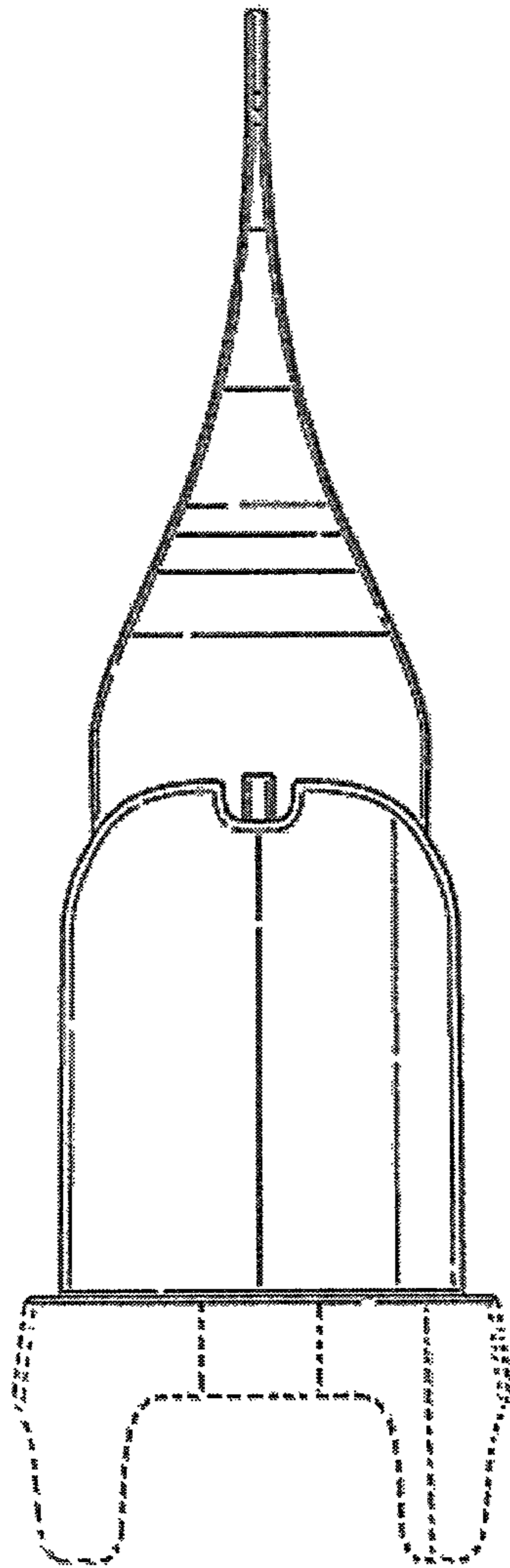
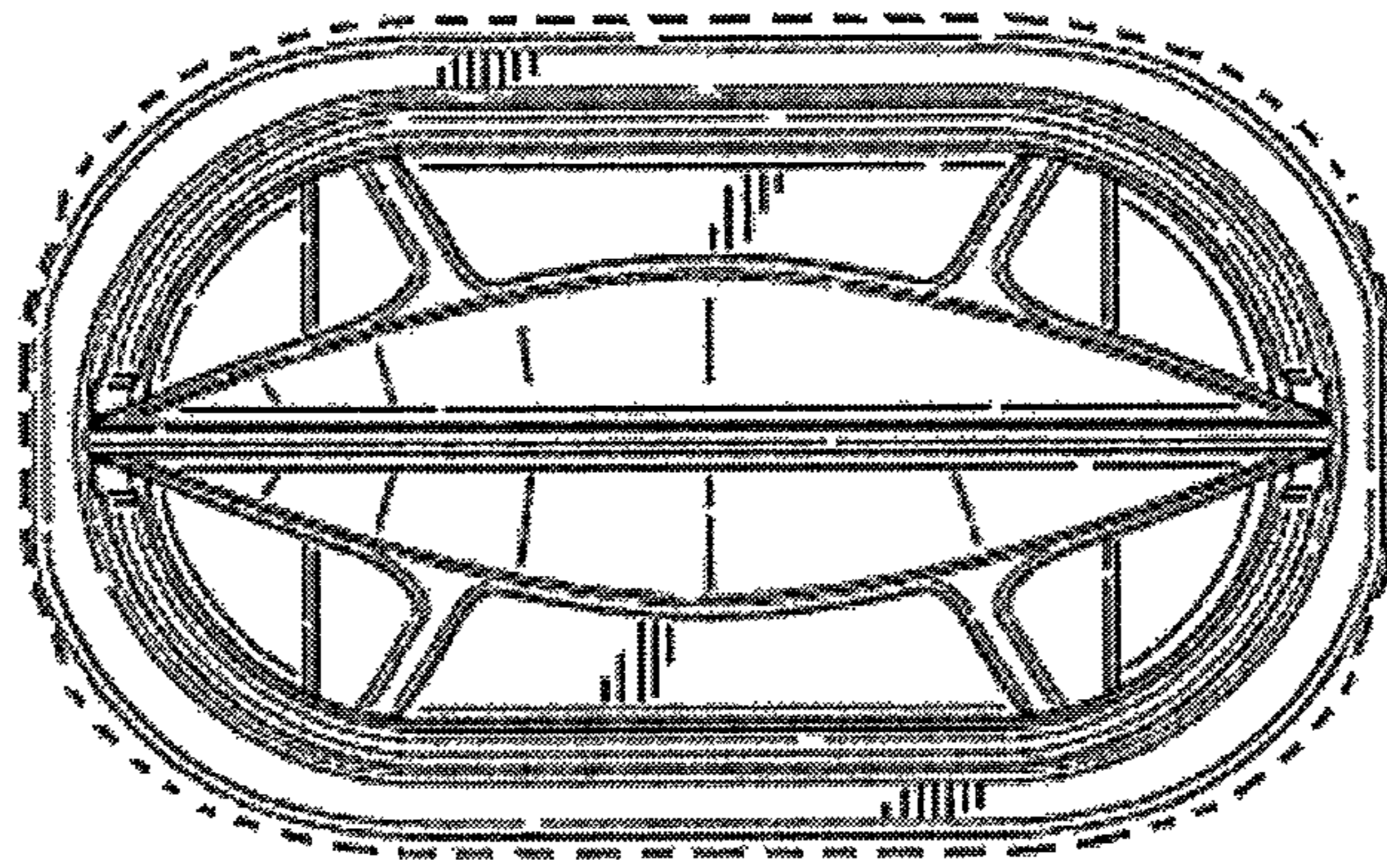
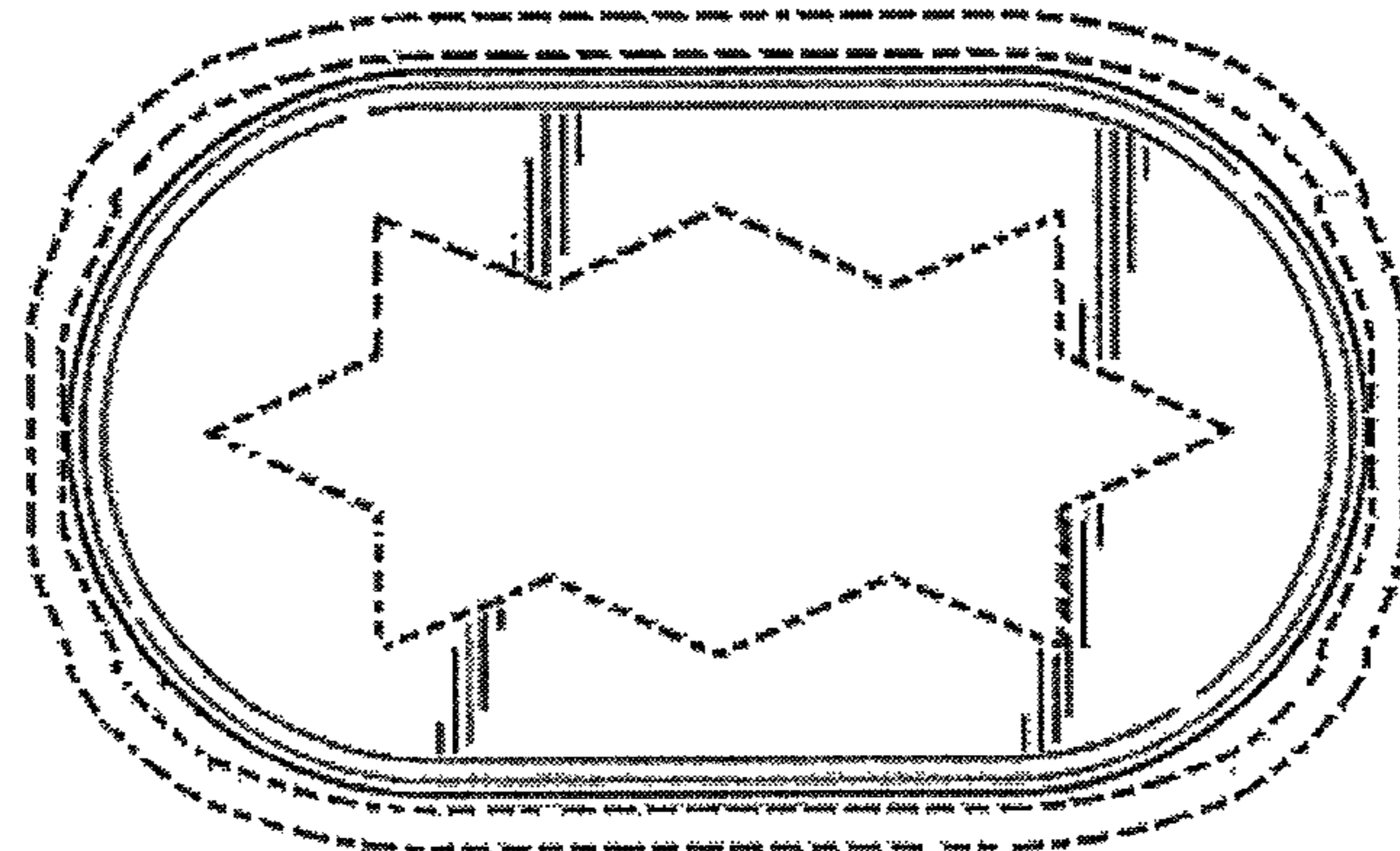


Fig. 12



**Fig. 13**



**Fig. 14**