



US00D734110S

(12) **United States Design Patent**
Ayats et al.

(10) **Patent No.:** **US D734,110 S**
(45) **Date of Patent:** **** Jul. 14, 2015**

(54) **APPLICATOR**

D496,511 S * 9/2004 Colburn et al. D32/45
6,948,193 B2 * 9/2005 Hsu 4/227.1
D511,446 S * 11/2005 Pereira et al. D8/14.1

(71) Applicant: **Reckitt Benckiser (Brands) Limited**,
Slough, Berkshire (GB)

(Continued)

(72) Inventors: **Francesc Ardite Ayats**, Barcelona (ES);
Randy Bos, Eindhoven (NL); **Arnoldus
Johannus Claassen**, Eindhoven (NL);
Alexander Emmerich, Mazowiecki
(PL); **Jos Harrison**, Slough (GB);
Christopher Leonard Padain, Slough
(GB)

Primary Examiner — Brian N Vinson

(74) *Attorney, Agent, or Firm* — Norris McLaughlin &
Marcus PA

(57) **CLAIM**

The ornamental design for an applicator, as shown and
described.

DESCRIPTION

(73) Assignee: **Reckitt Benckiser (Brands) Limited**,
Slough, Berkshire (GB)

FIG. 1 is a perspective view showing a first embodiment of the
applicator;

(**) Term: **14 Years**

FIG. 2 is a plan view of a first side of the applicator of FIG. 1;
FIG. 3 is plan view of a second side of the applicator of FIG.
1;

(21) Appl. No.: **29/482,713**

FIG. 4 is a plan view of a third side of the applicator of FIG.
1;

(22) Filed: **Feb. 21, 2014**

FIG. 5 is a plan view of fourth side of the applicator of FIG. 1;
FIG. 6 is a plan view of the top of the applicator of FIG. 1;

(30) **Foreign Application Priority Data**

Sep. 6, 2013 (EM) 002304055

FIG. 7 is a plan view of the underside of the applicator of FIG.
1;

(51) **LOC (10) Cl.** **08-01**

FIG. 8 is a perspective view showing a second embodiment of
the applicator;

(52) **U.S. Cl.**

USPC **D8/14; D9/727; D23/208; D32/35**

FIG. 9 is a plan view of a first side of the applicator of FIG. 8;
FIG. 10 is plan view of a second side of the applicator of FIG.

(58) **Field of Classification Search**

USPC **D8/14, 14.1; D9/723, 272, 728, 729;
D23/208; D32/35, 45; 4/223, 225.1,
4/227.1, 231; 15/145, 147.1**

FIG. 11 is a plan view of a third side of the applicator of FIG.
8;

See application file for complete search history.

FIG. 12 is a plan view of fourth side of the applicator of FIG.
8;

(56) **References Cited**

U.S. PATENT DOCUMENTS

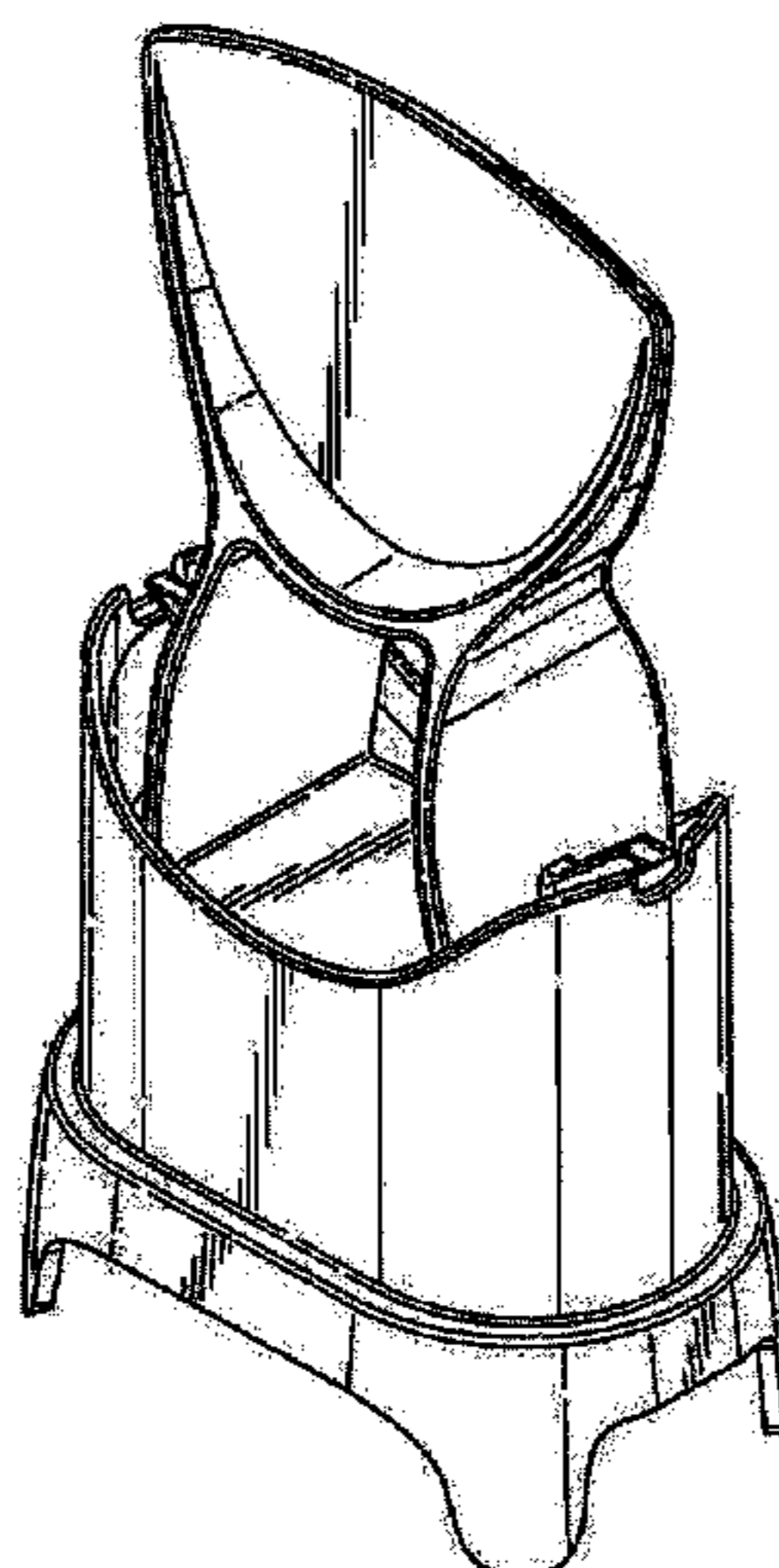
4,852,201 A * 8/1989 Wundrock et al. 15/145
D414,105 S * 9/1999 Wilson et al. D9/727
D416,389 S * 11/1999 Frazier D32/45
D427,520 S * 7/2000 Crawford D9/728
D480,959 S * 10/2003 Dewood D9/723

FIG. 13 is a plan view of the top of the applicator of FIG. 8;
and,

FIG. 14 is a plan view of the underside of the applicator of
FIG. 8.

The broken line disclosure in the views represents portions of
the applicator which form no part of the claimed design.

1 Claim, 12 Drawing Sheets



US D734,110 S

Page 2

(56)

References Cited

U.S. PATENT DOCUMENTS

D613,367 S *	4/2010	Burt et al.	D23/208
2013/0095238 A1	4/2013	DelGigante et al.	
2013/0117917 A1	5/2013	DelGigante et al.	
D528,012 S *	9/2006	Snyder	D9/727

* cited by examiner

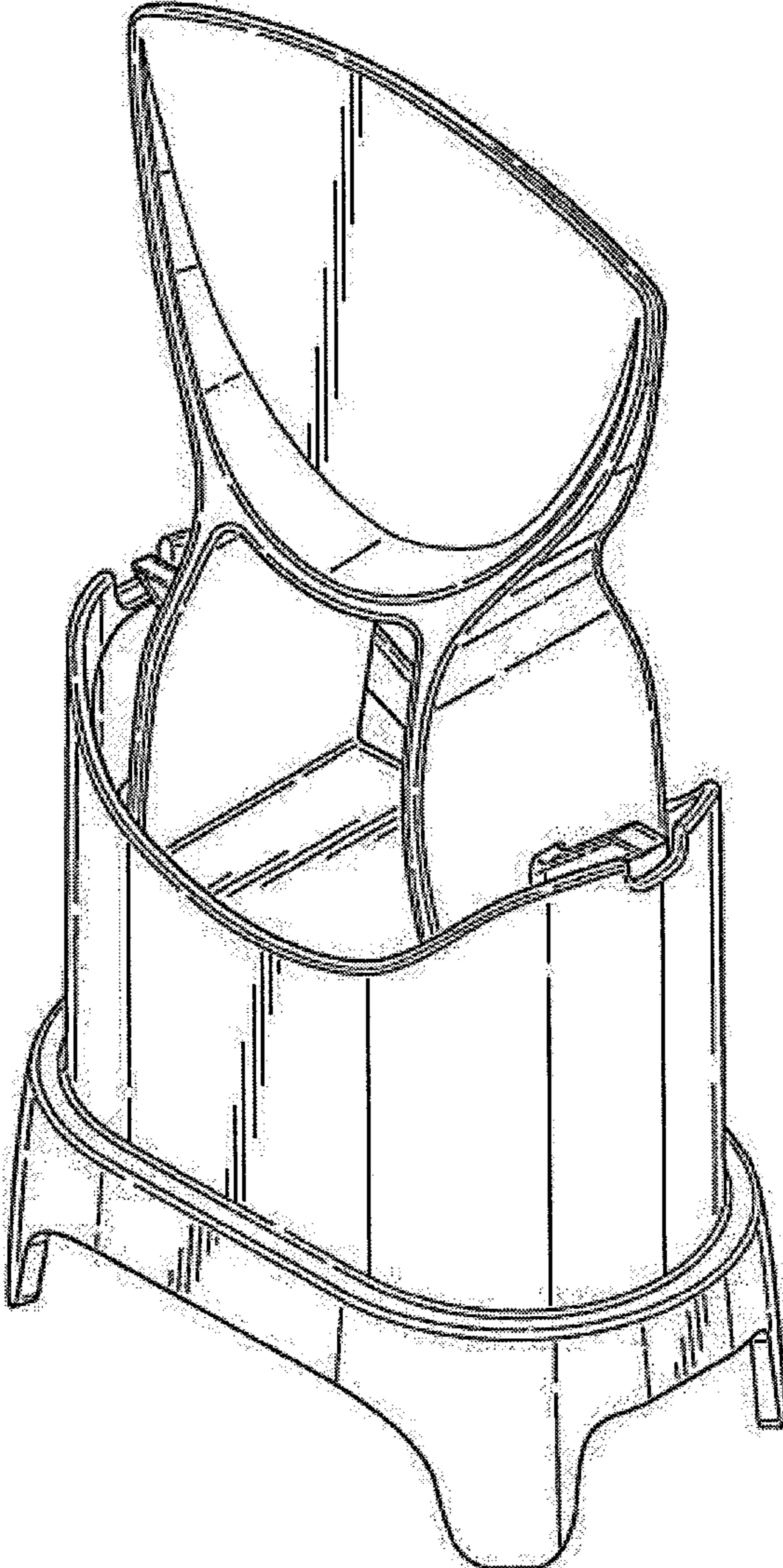


Fig. 1

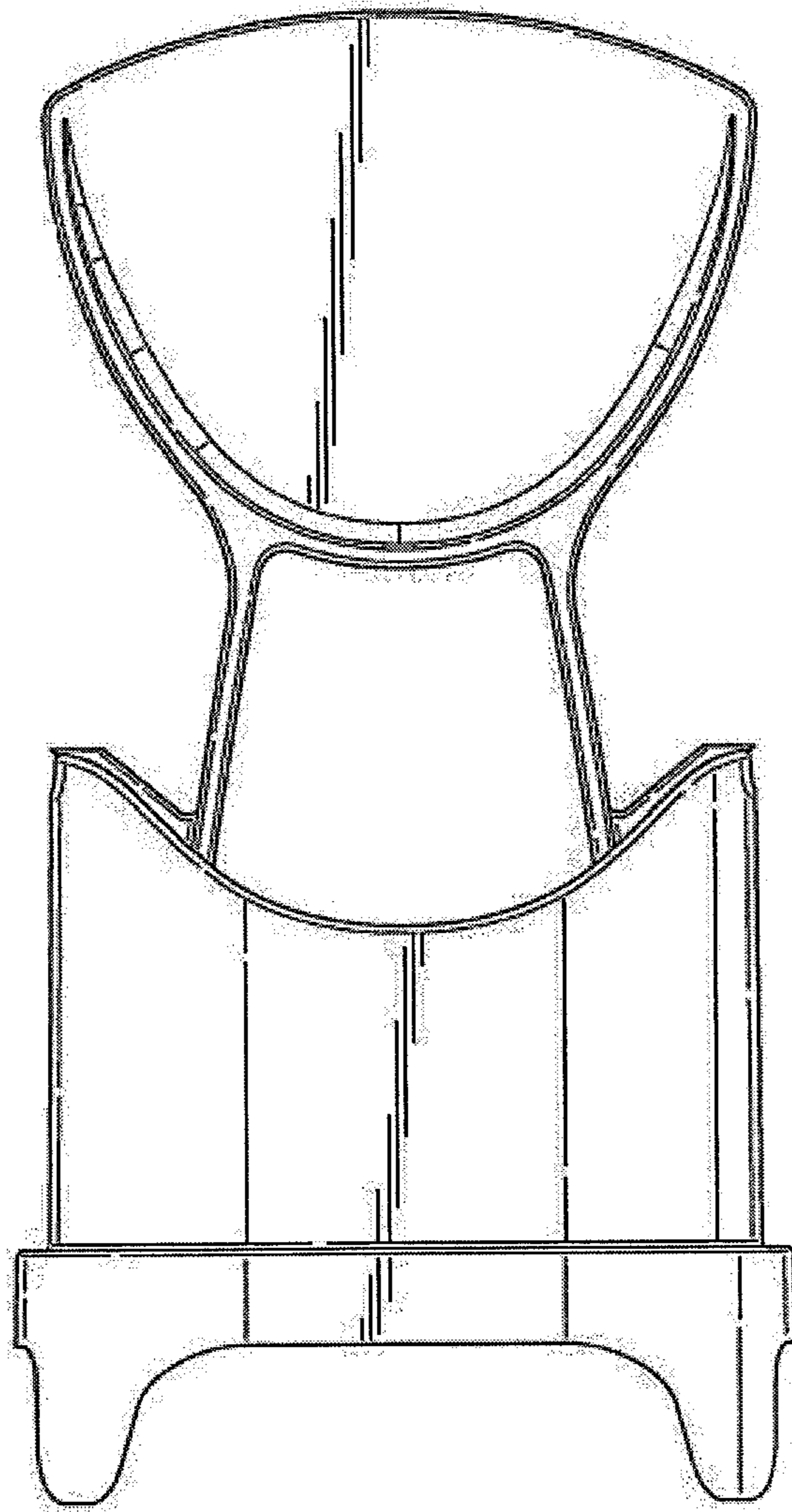


Fig. 2

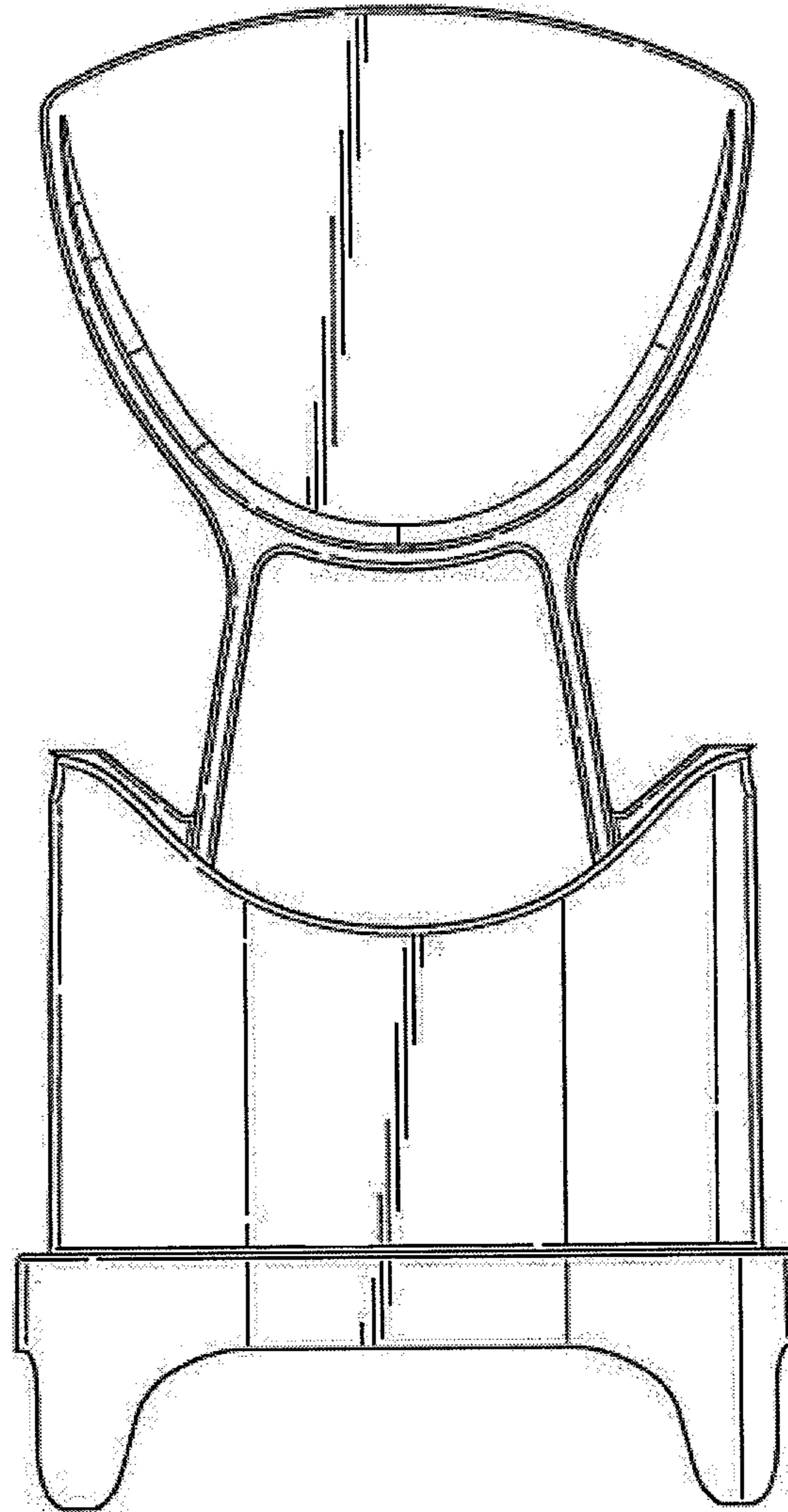


Fig. 3

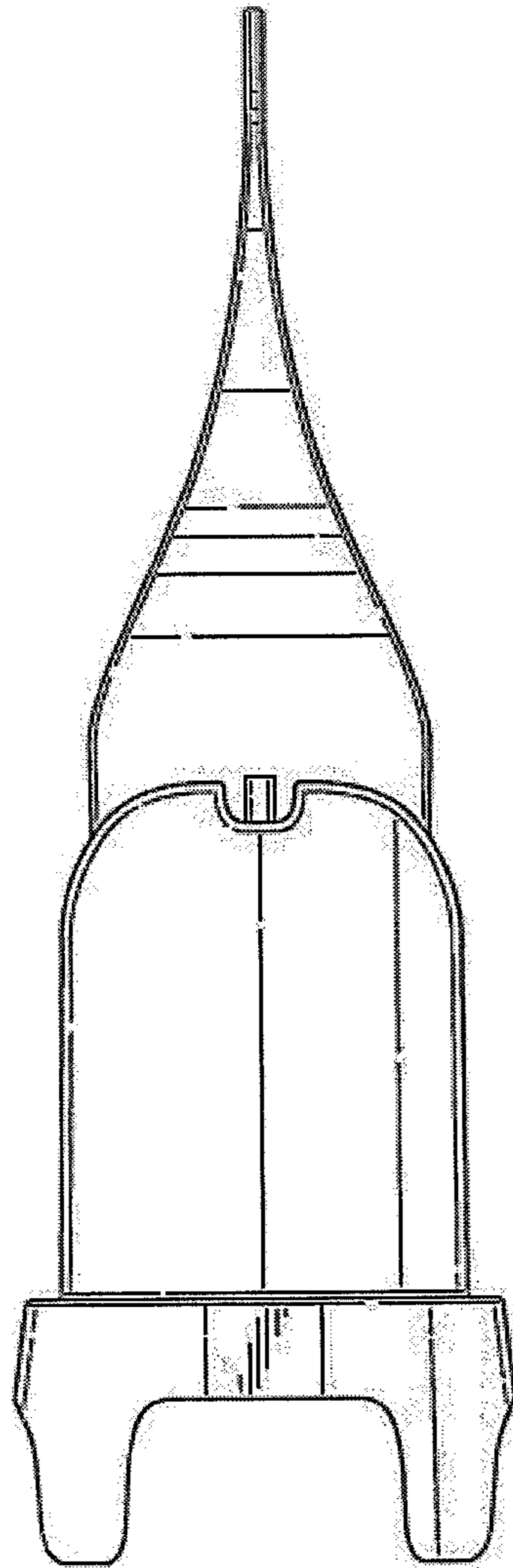


Fig. 4

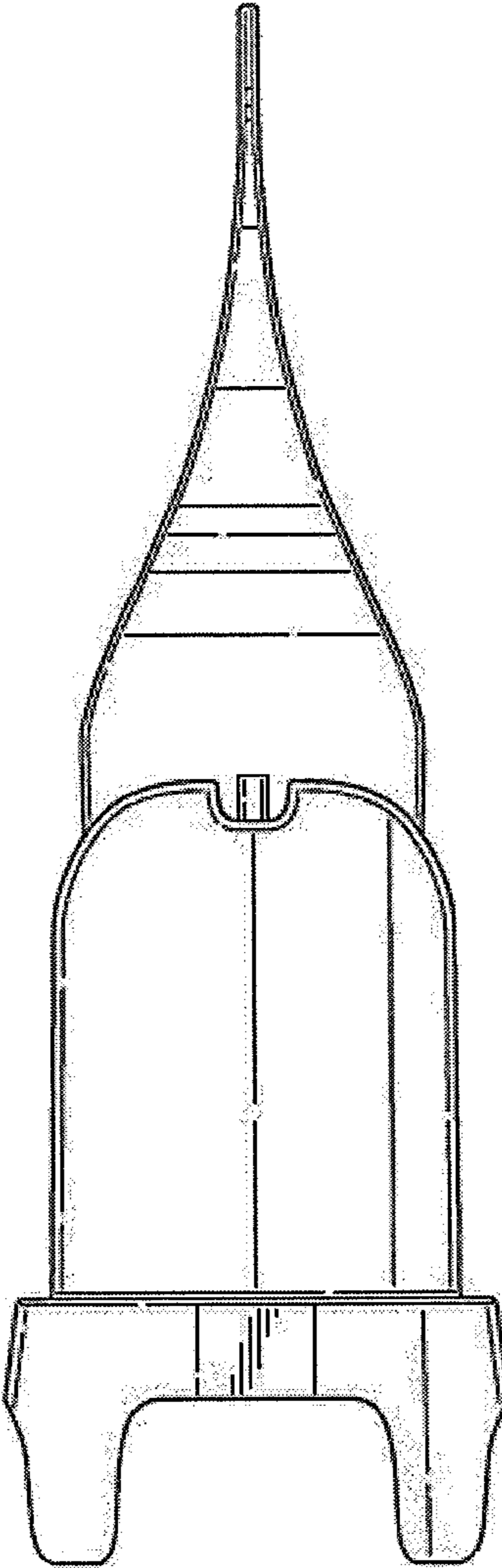


Fig. 5

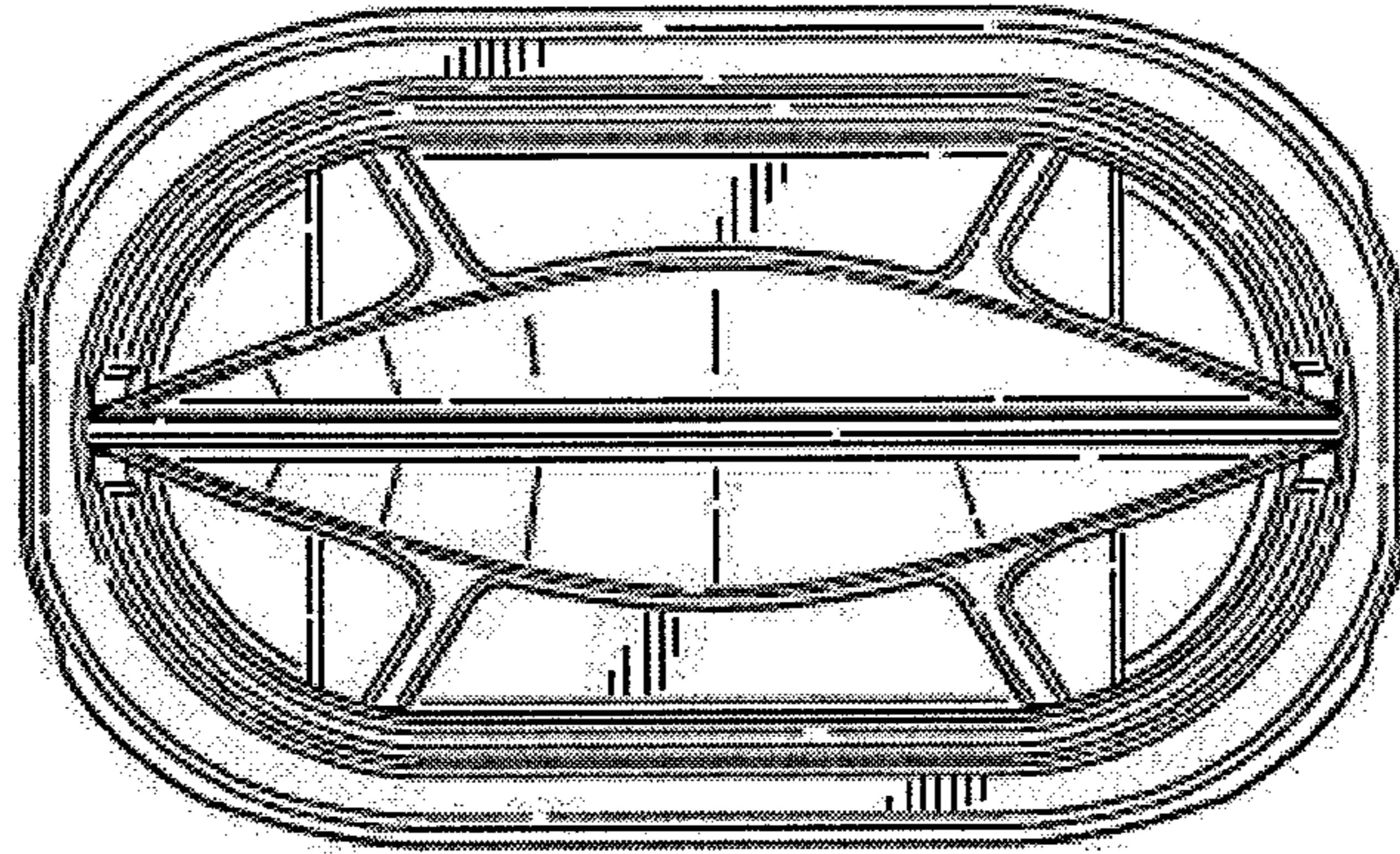


Fig. 6

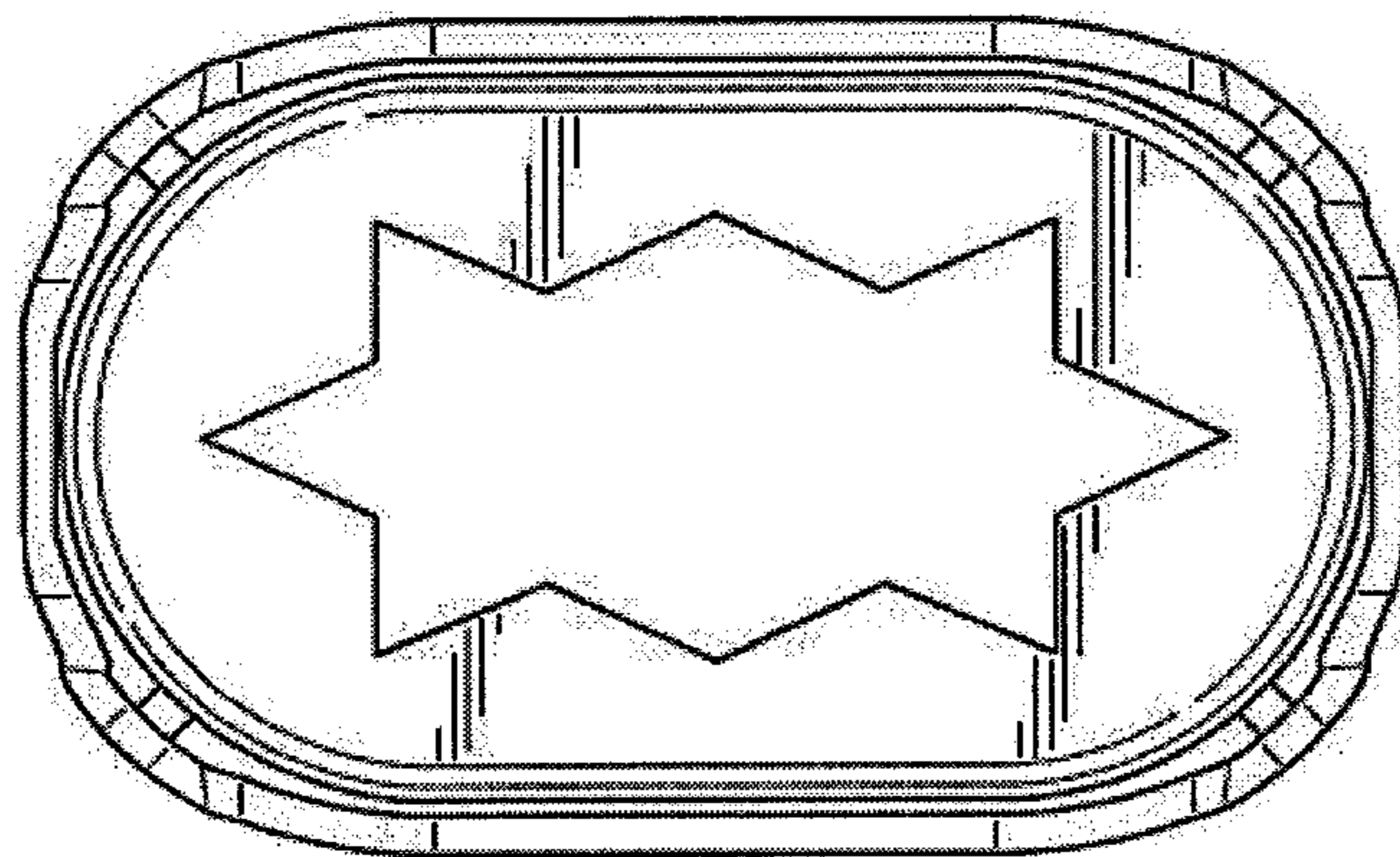


Fig. 7

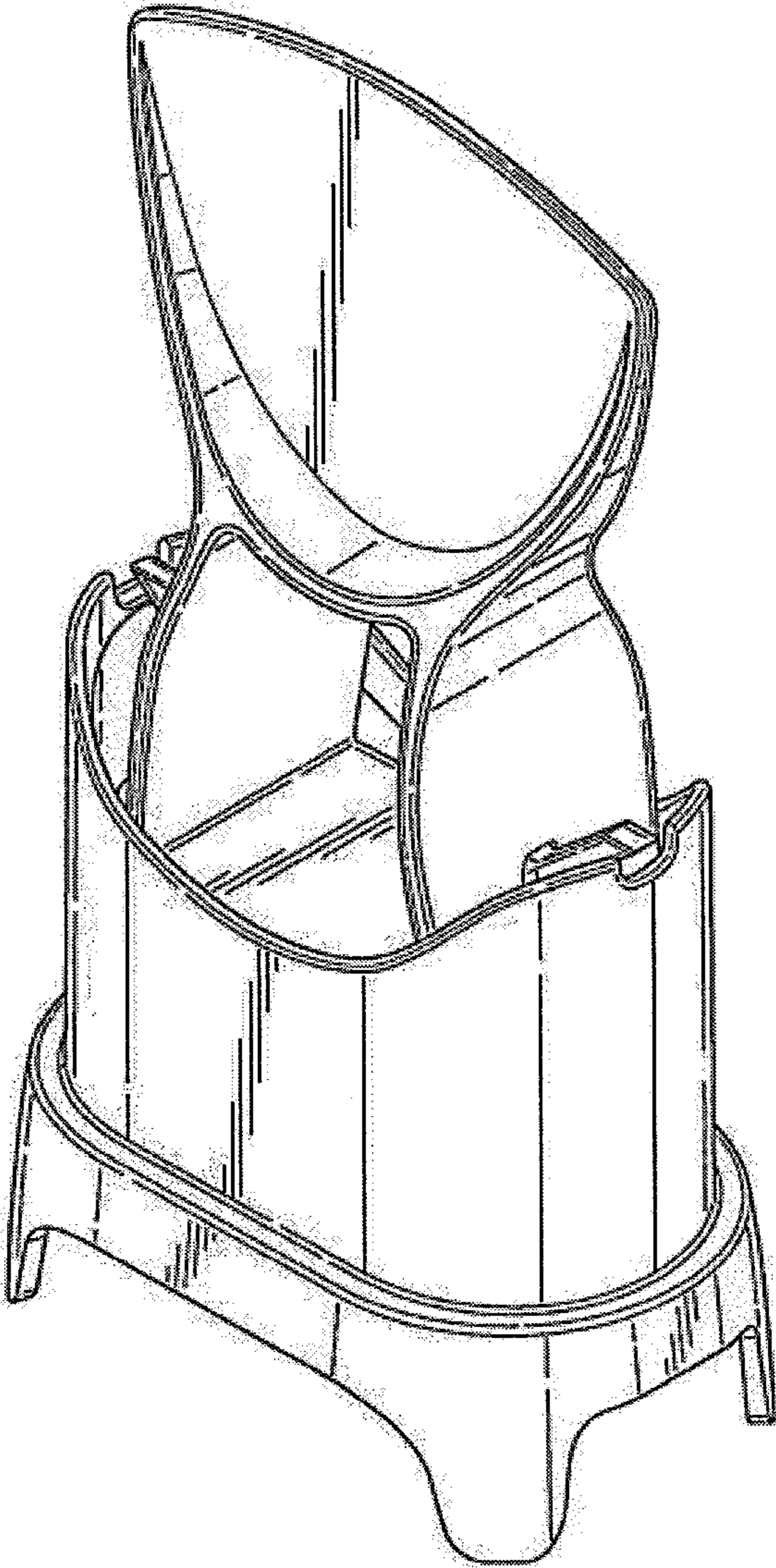


Fig. 8

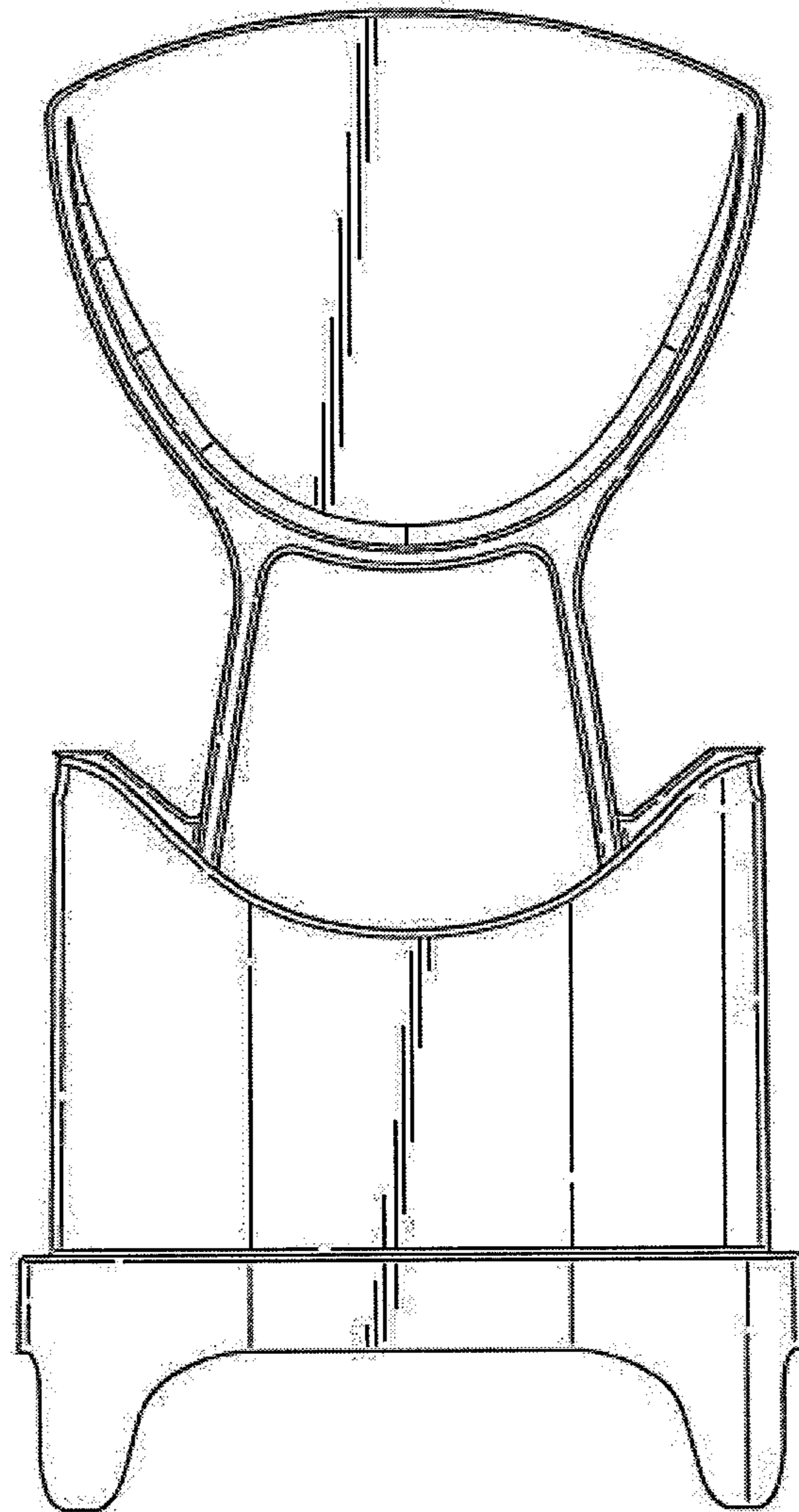


Fig. 9

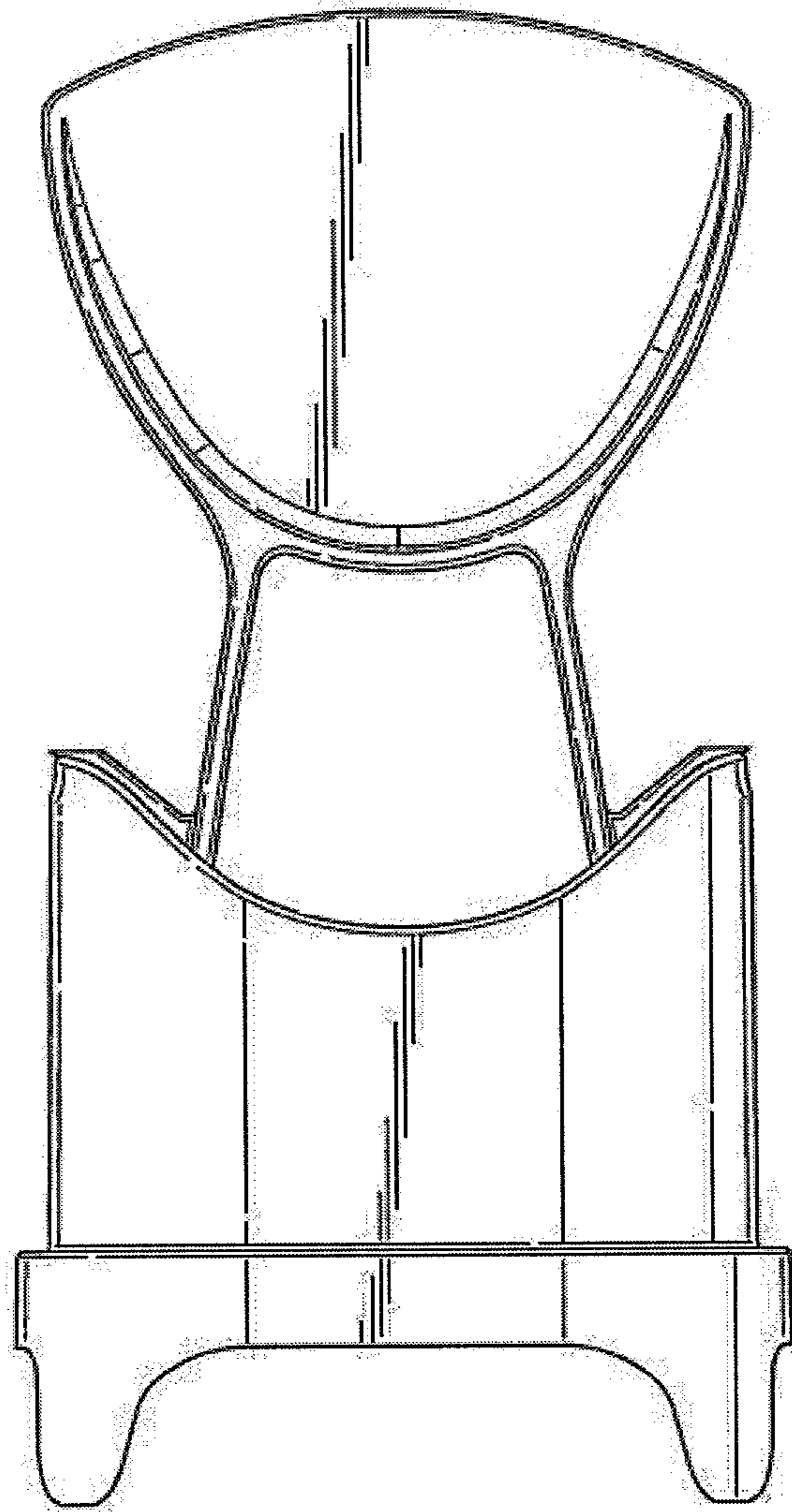


Fig. 10

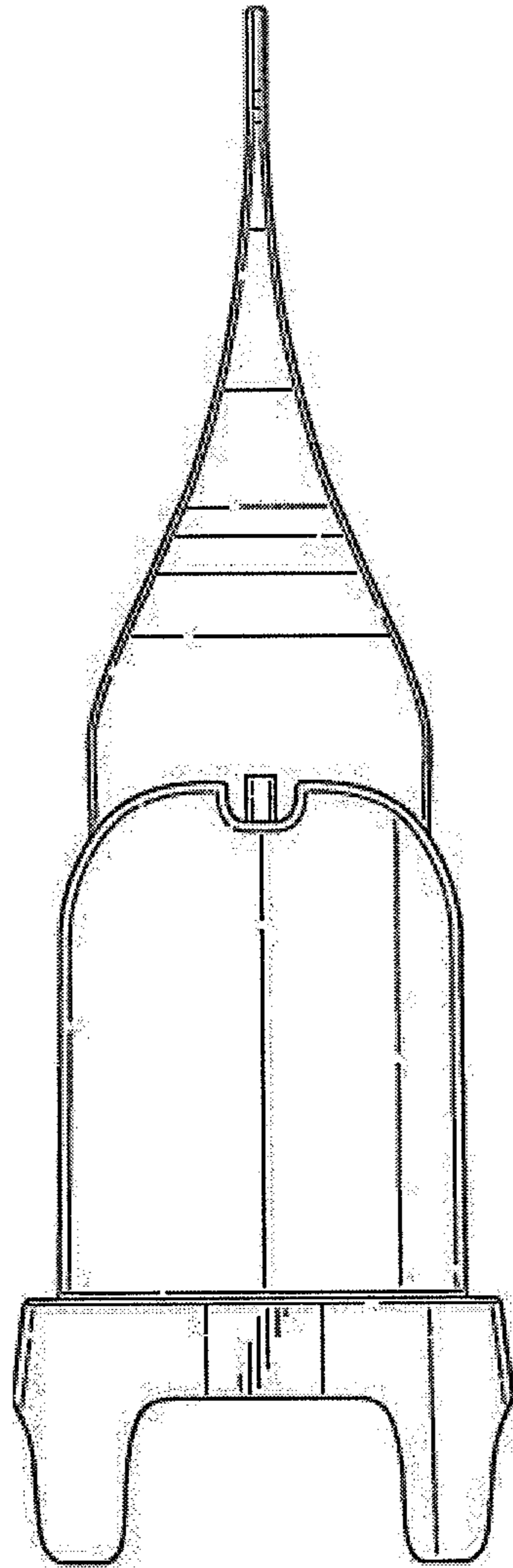


Fig. 11

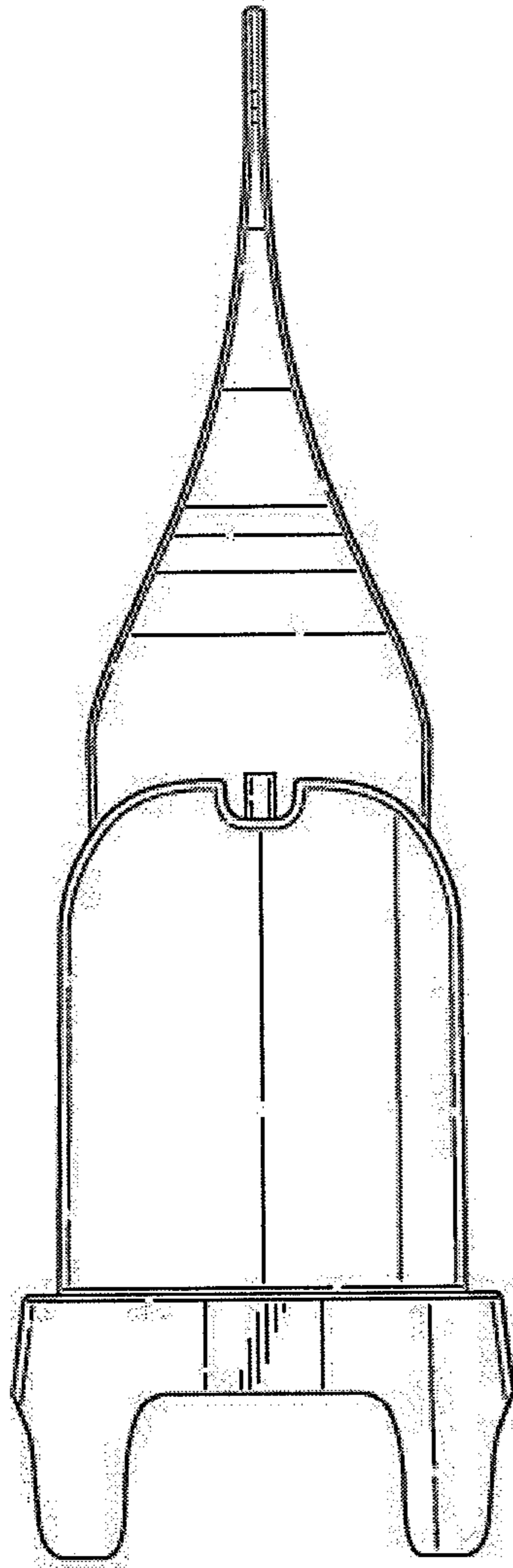


Fig. 12

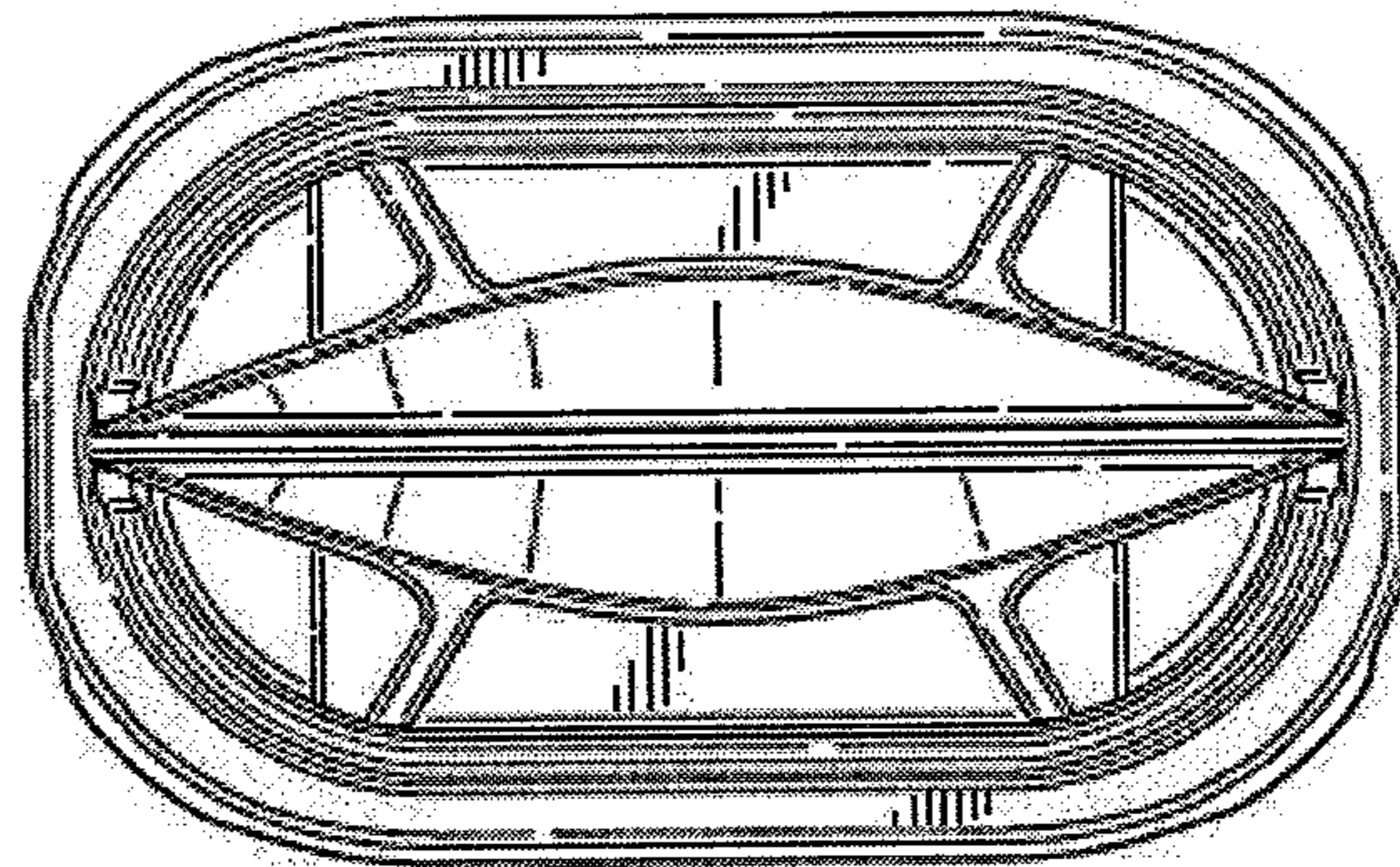


Fig. 13

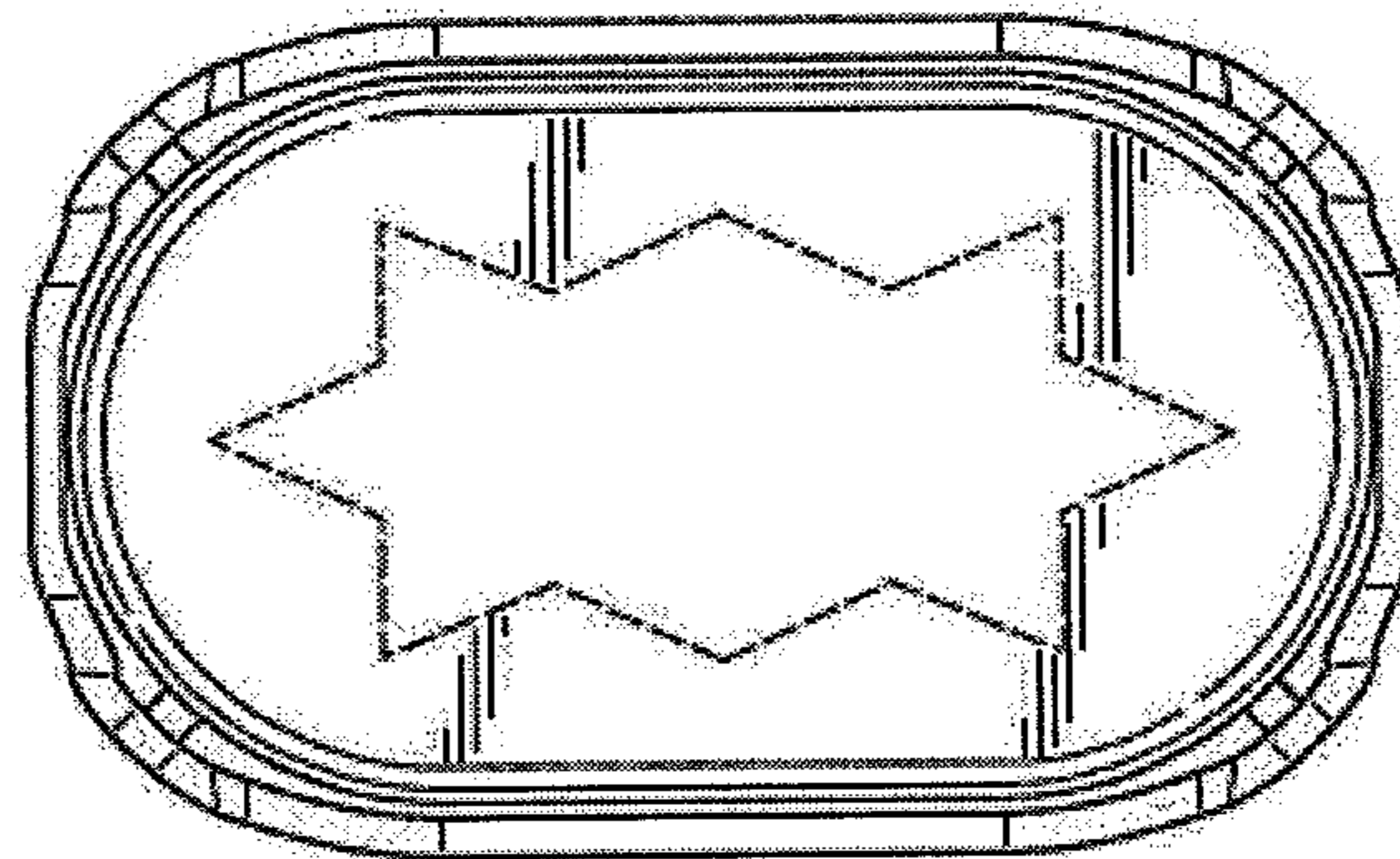


Fig. 14