



US00D734108S

(12) **United States Design Patent**
Madden

(10) **Patent No.:** **US D734,108 S**
(45) **Date of Patent:** **** Jul. 14, 2015**

(54) **CUPCAKE CORER**

(71) Applicant: **Evriholder Products, LLC**, Anaheim, CA (US)

(72) Inventor: **Jeffery David Madden**, Fredericton (CA)

(73) Assignee: **Evriholder Products, LLC**, Anaheim, CA (US)

(**) Term: **14 Years**

(21) Appl. No.: **29/448,126**

(22) Filed: **Mar. 9, 2013**

(51) **LOC (10) Cl.** **07-04**

(52) **U.S. Cl.**
USPC **D7/675**

(58) **Field of Classification Search**
USPC D7/672, 675, 323, 350.2, 354, 356, 357, D7/368, 673-678, 381, 412, 693, 669, 695, D7/699, 683, 684; 241/100, 95, 168, 169, 241/273.1-274, 285.1, 285.2, 93, 101.1, 241/101.2; 30/92-95, 113.1, 114, 123.5, 30/124, 130, 165, 247, 279.6, 278, 279.2, 30/280, 283, 286, 287-291, 299, 301-306, 30/312, 314-316, 320, 321, 337, 340, 355, 30/389-391; 83/13, 87, 167, 404.3, 425.3, 83/431, 435.15, 436.2, 436.7, 437.7, 83/441.1, 451, 569, 581.1, 662, 669, 697, 83/698.11, 699.51, 699.61, 717, 837, 856, 83/857, 858, 874, 906, 932; 99/509, 537, 99/538, 547, 552, 556; 249/135, 66.1, 249/117, 119, 122-127, 155-156, 160, 249/169; D9/600, 414, 430, 434, 456, 745, D9/756, 761; D21/363, 470, 472
CPC A47J 29/00; A47J 25/00; A47J 17/04; B26B 3/00; A23G 3/0247; A23G 3/28; B26D 3/24

See application file for complete search history.

(56) **References Cited**

U.S. PATENT DOCUMENTS

198,219 A *	12/1877	Schell, Jr.	30/301
D24,341 S *	5/1895	Henderson	D7/675
D24,342 S *	5/1895	Henderson	D7/675
1,094,878 A *	4/1914	Cassell	249/168
D82,215 S *	10/1930	Fontana	D7/677
1,957,319 A *	5/1934	Carlson	30/316
2,214,217 A *	9/1940	Adams	30/117
D128,363 S *	7/1941	Bricco	D7/672
D136,782 S *	12/1943	Kleinberg	D7/675
2,497,280 A *	2/1950	Stier	249/55
2,549,008 A *	4/1951	Rasaka et al.	30/302
2,797,653 A *	7/1957	Rade	425/292
3,004,340 A *	10/1961	Collins	30/316
3,363,311 A *	1/1968	Jowers	30/113.3
3,990,498 A *	11/1976	Dompas et al.	164/459
D282,893 S *	3/1986	Daenen	D7/676
4,596,073 A *	6/1986	Ewald	30/113.1

(Continued)

Primary Examiner — Ian Simmons
Assistant Examiner — Shannon Morgan

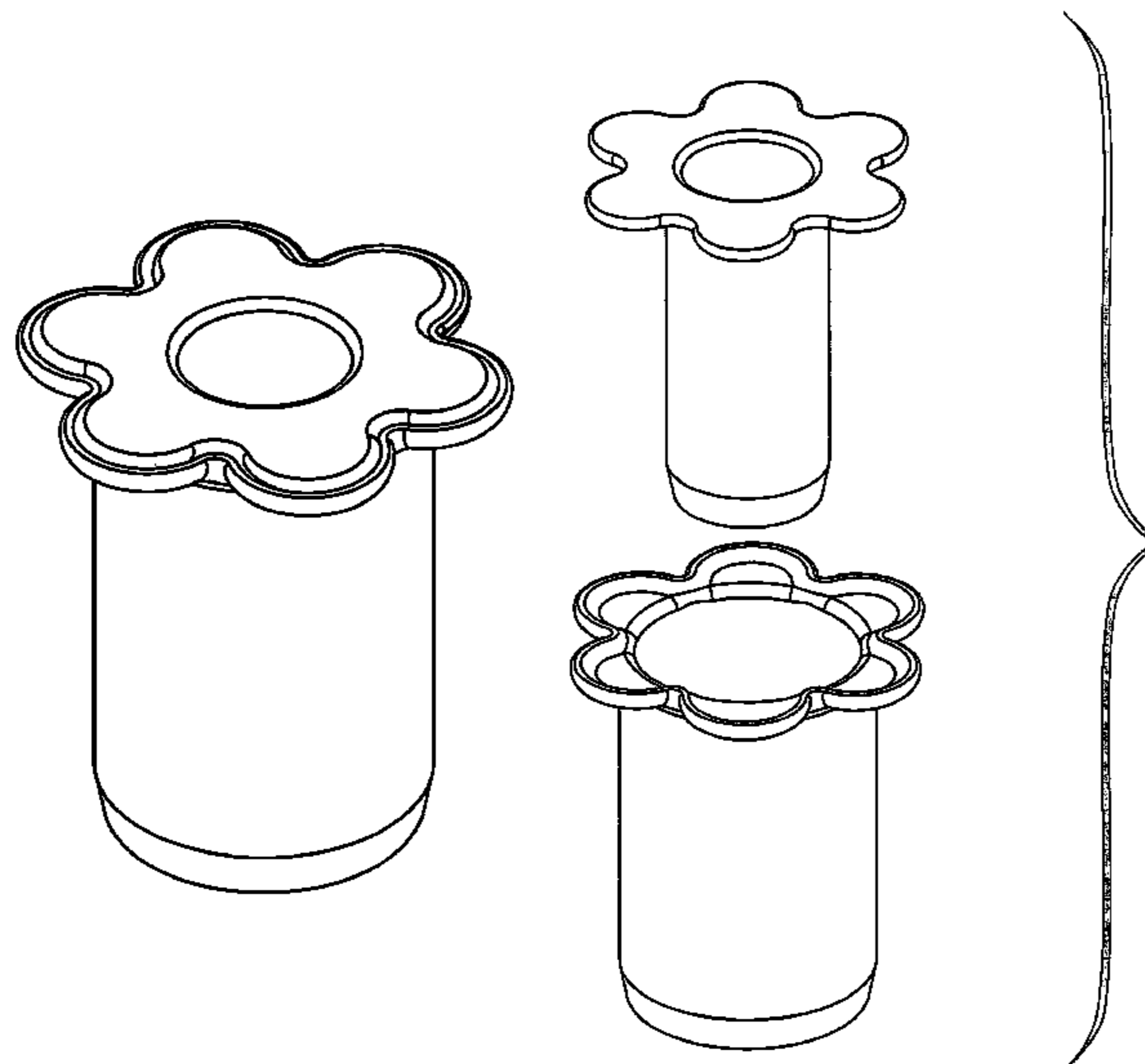
(57) **CLAIM**

The ornamental design for a cupcake corer, as shown and described.

DESCRIPTION

FIG. 1 is a front elevational view of a cupcake corer showing my new design;
FIG. 2 is a top plan view thereof;
FIG. 3 is a left side elevational view thereof;
FIG. 4 is a right side elevational view thereof;
FIG. 5 is a bottom plan view thereof;
FIG. 6 is a rear elevational view thereof;
FIG. 7 is a cross-sectional view thereof; taken along line 7-7 of FIG. 1;
FIG. 8 is a perspective view thereof; and,
FIG. 9 is an exploded perspective view thereof.

1 Claim, 9 Drawing Sheets



(56)

References Cited

U.S. PATENT DOCUMENTS

4,690,047	A *	9/1987	Balzano	99/542	D581,222	S *	11/2008	Vendl	D7/675
5,103,563	A *	4/1992	Johnson	30/301	D584,579	S *	1/2009	Vendl	D7/675
5,947,016	A *	9/1999	Repac et al.	99/538	D672,213	S *	12/2012	Abrams	D7/675
6,058,610	A *	5/2000	Leang	30/316	D675,888	S *	2/2013	Cline et al.	D7/675
D428,574	S *	7/2000	Harkness	D9/430	D711,198	S *	8/2014	Cline et al.	D7/675
D481,914	S *	11/2003	Short	D7/675	2007/0204467	A1 *	9/2007	Livie	30/124
D568,551	S *	5/2008	Singer	D30/159	2009/0188999	A1 *	7/2009	Lazarev et al.	241/25
					2011/0079155	A1 *	4/2011	Ho et al.	99/551
					2013/0299615	A1 *	11/2013	Priebe et al.	241/26

* cited by examiner

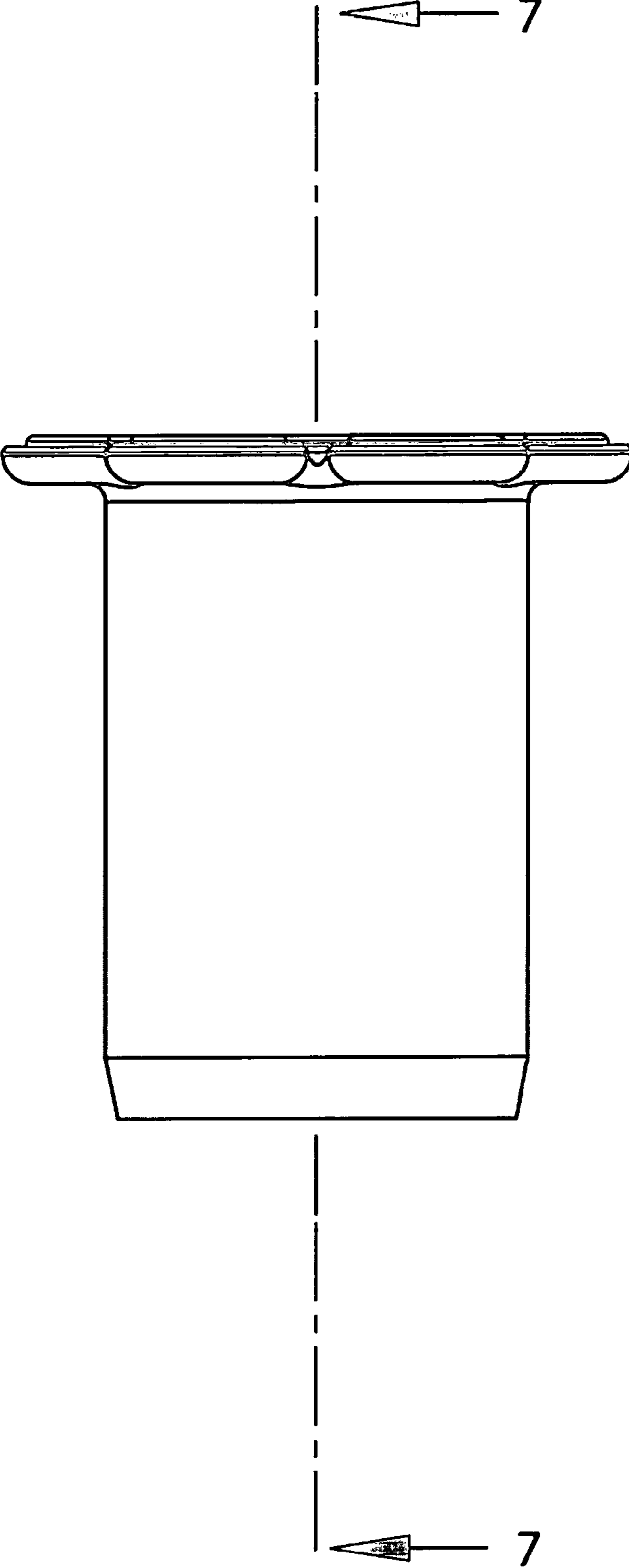


FIG. 1

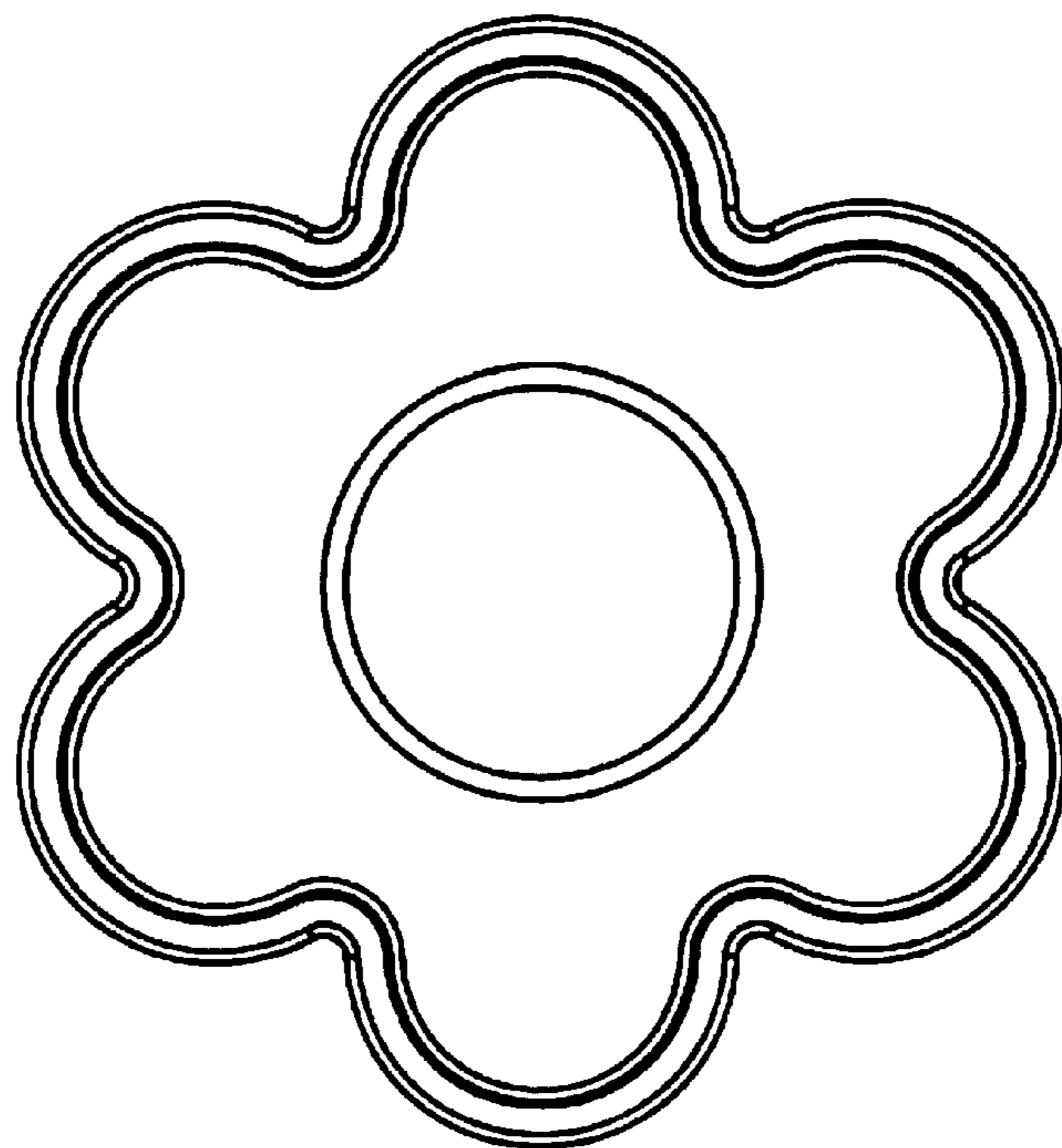


FIG. 2

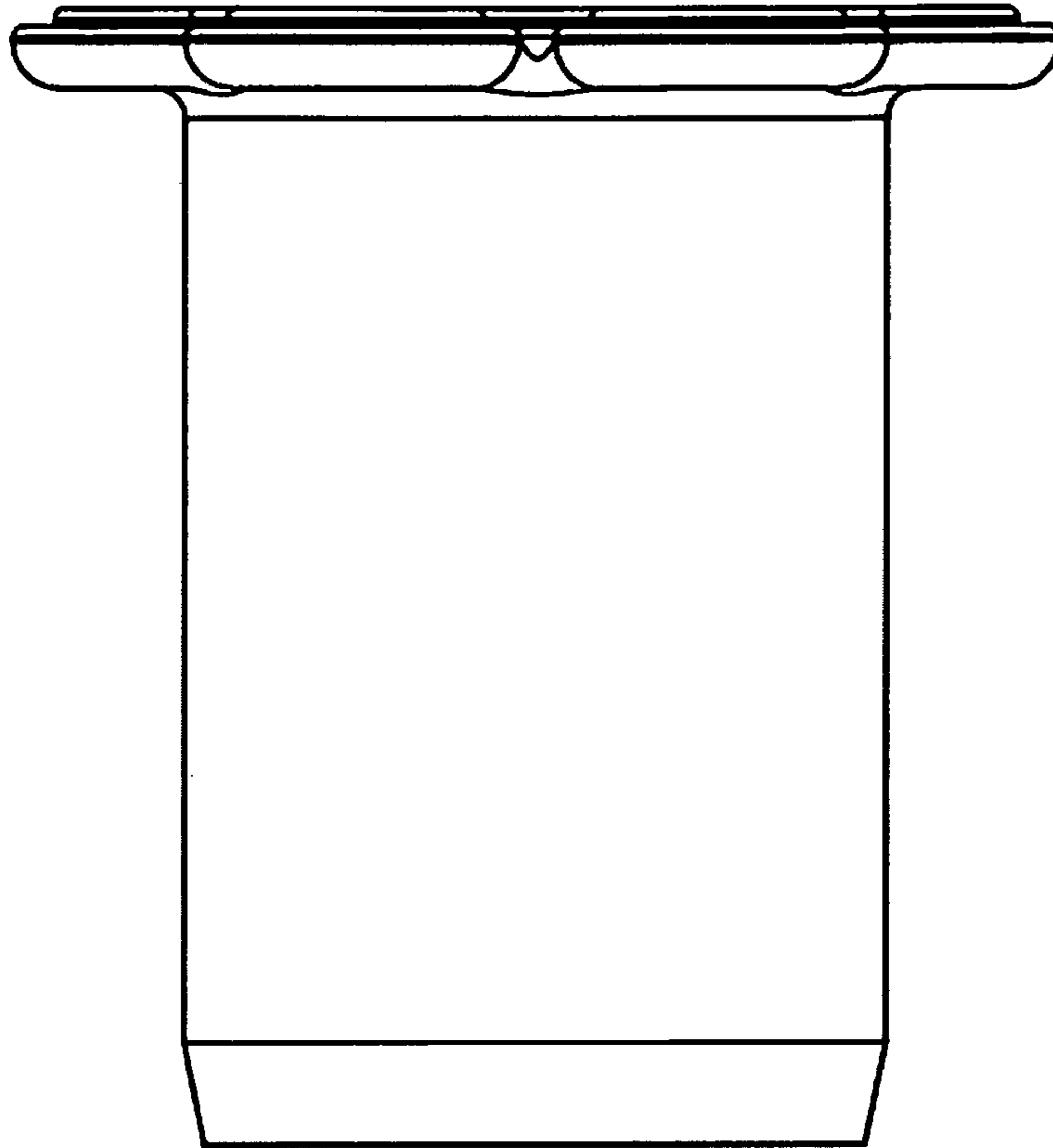


FIG. 3

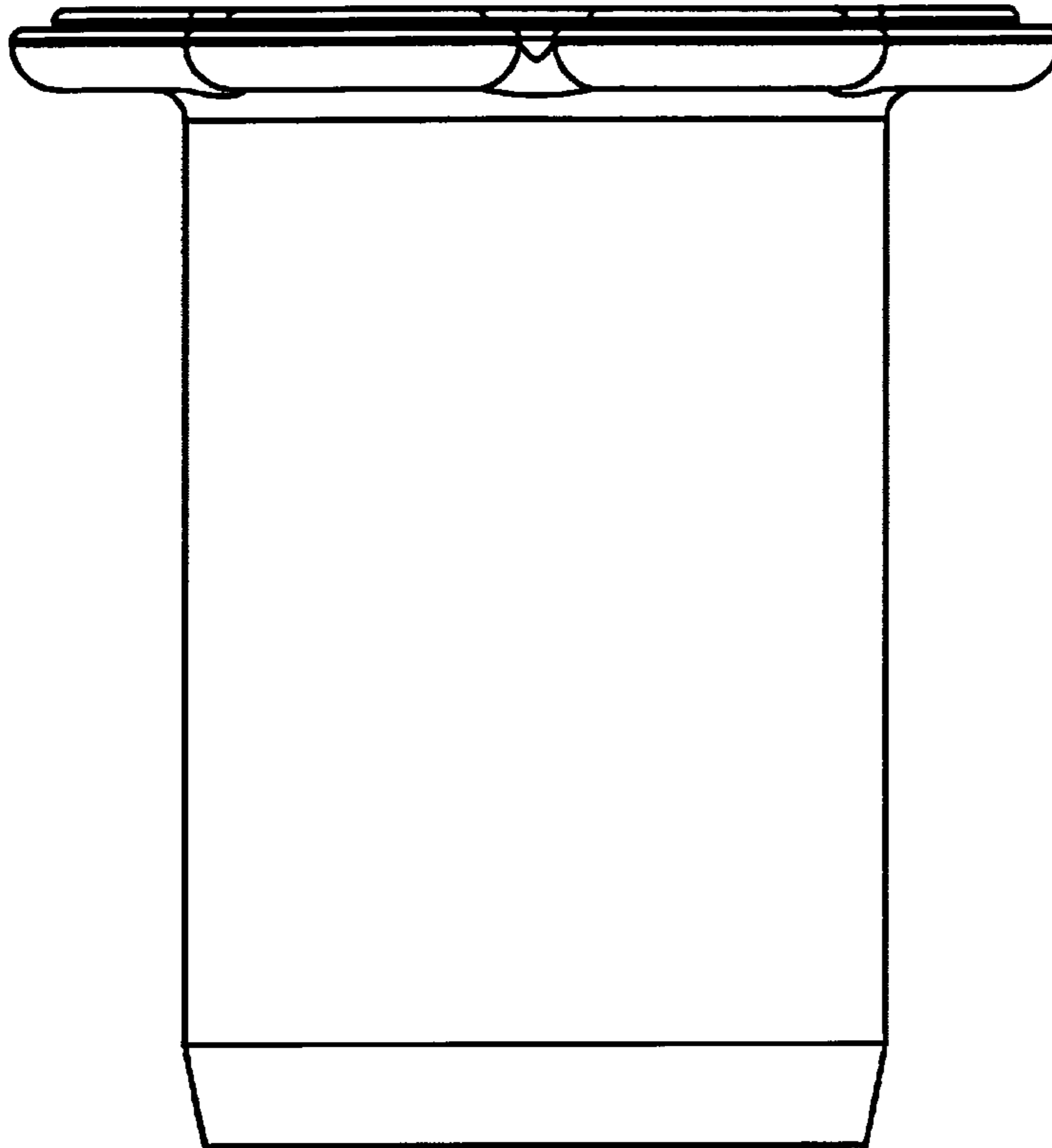


FIG. 4

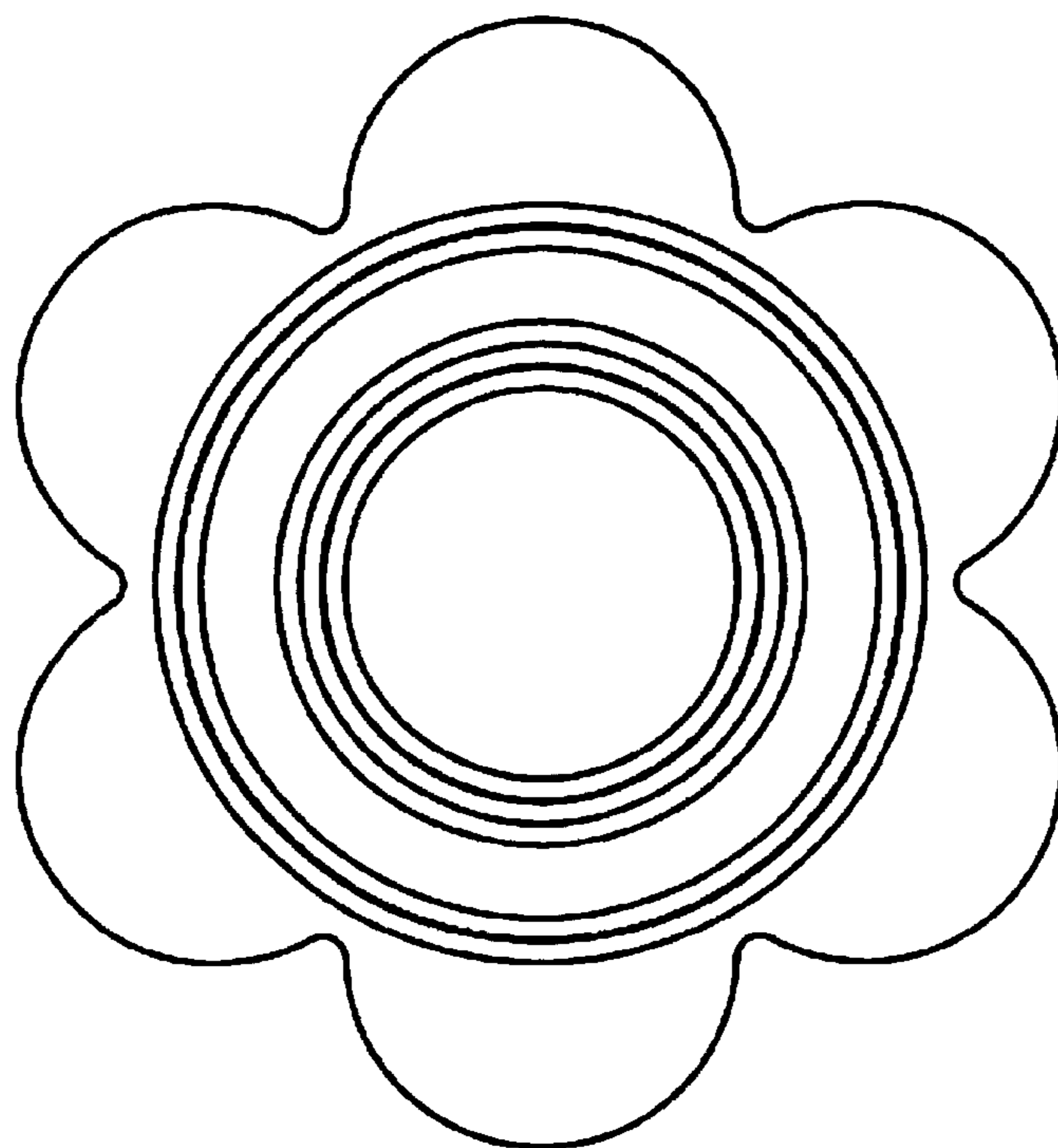


FIG. 5

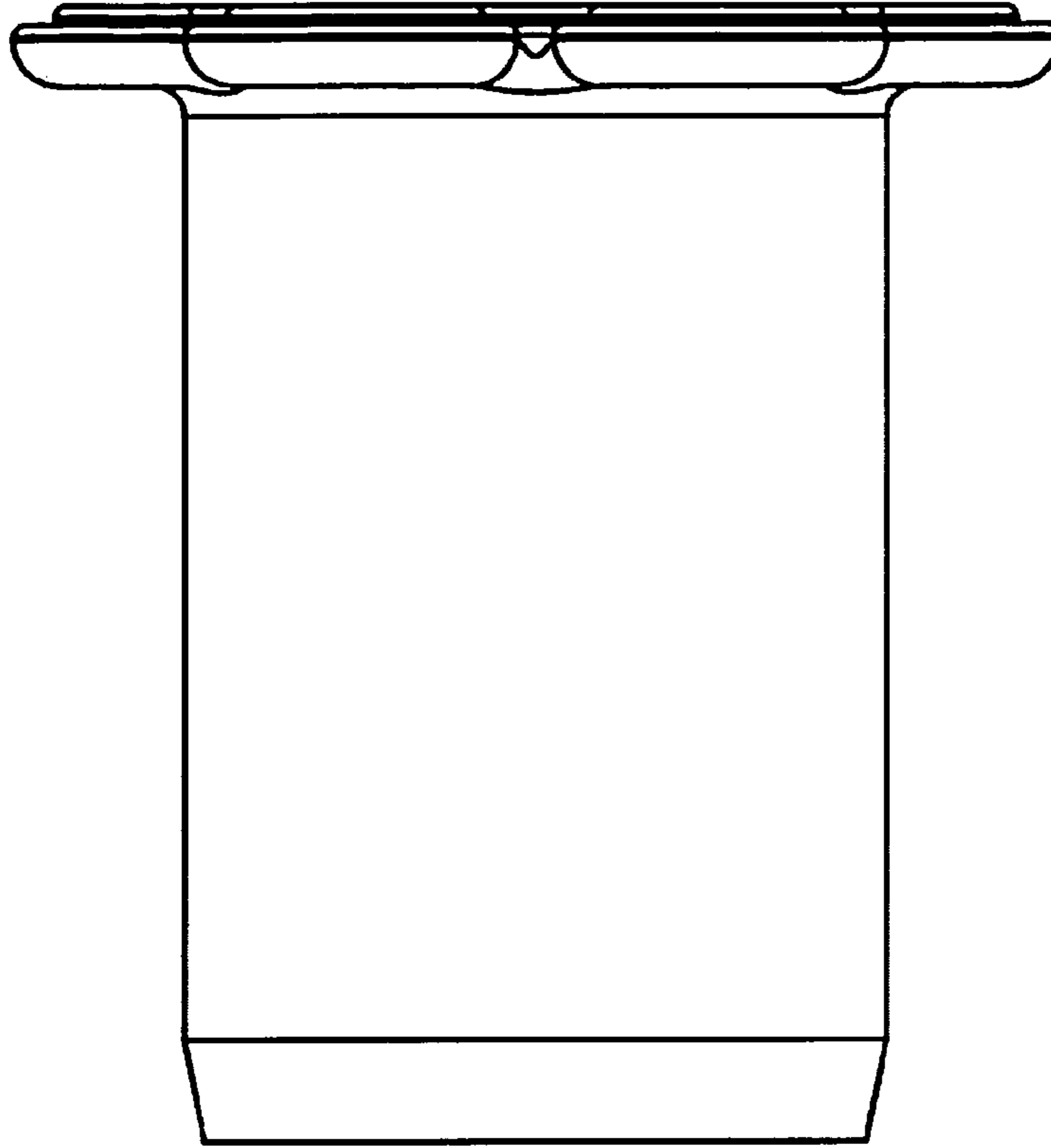


FIG. 6

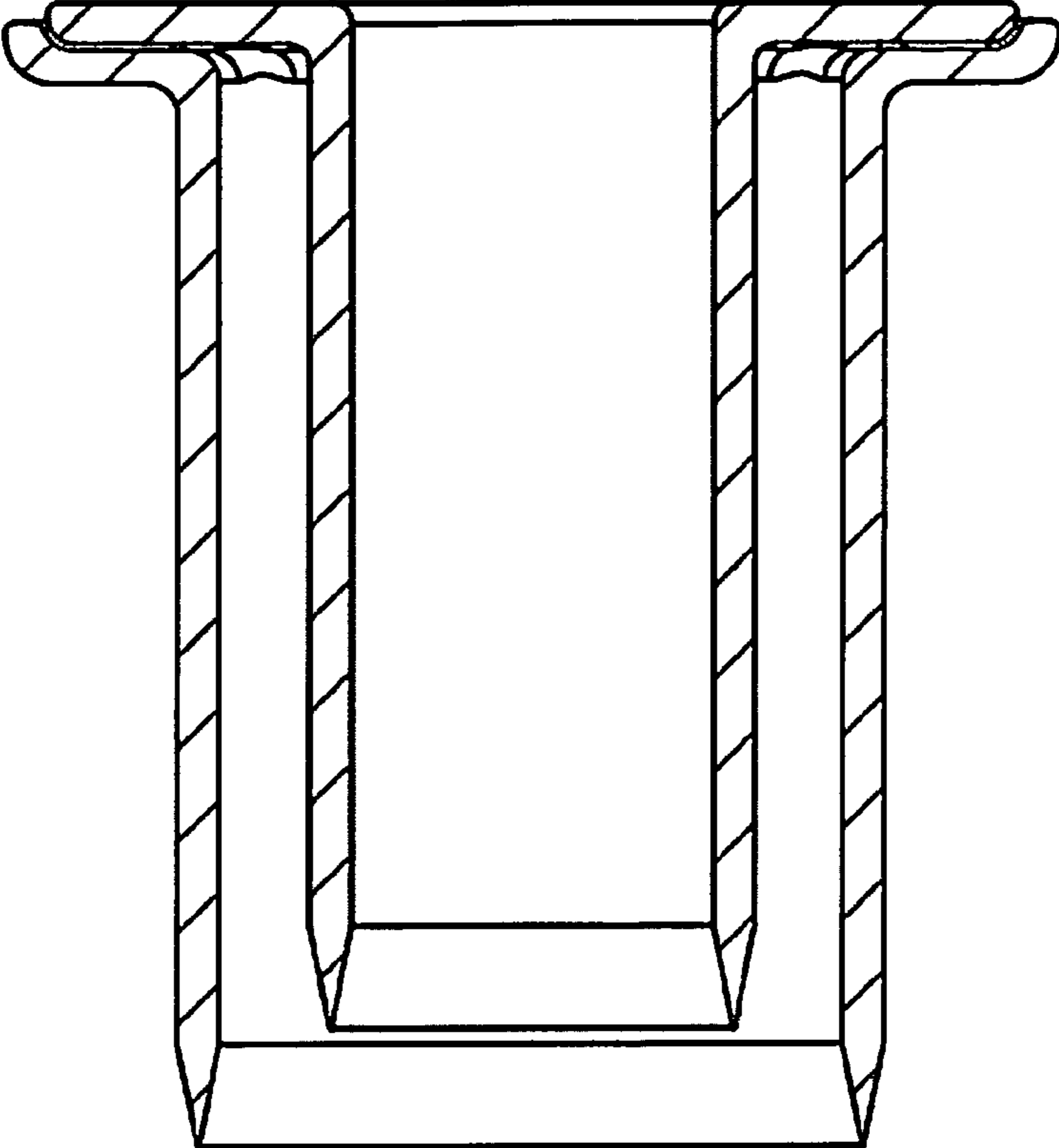


FIG. 7

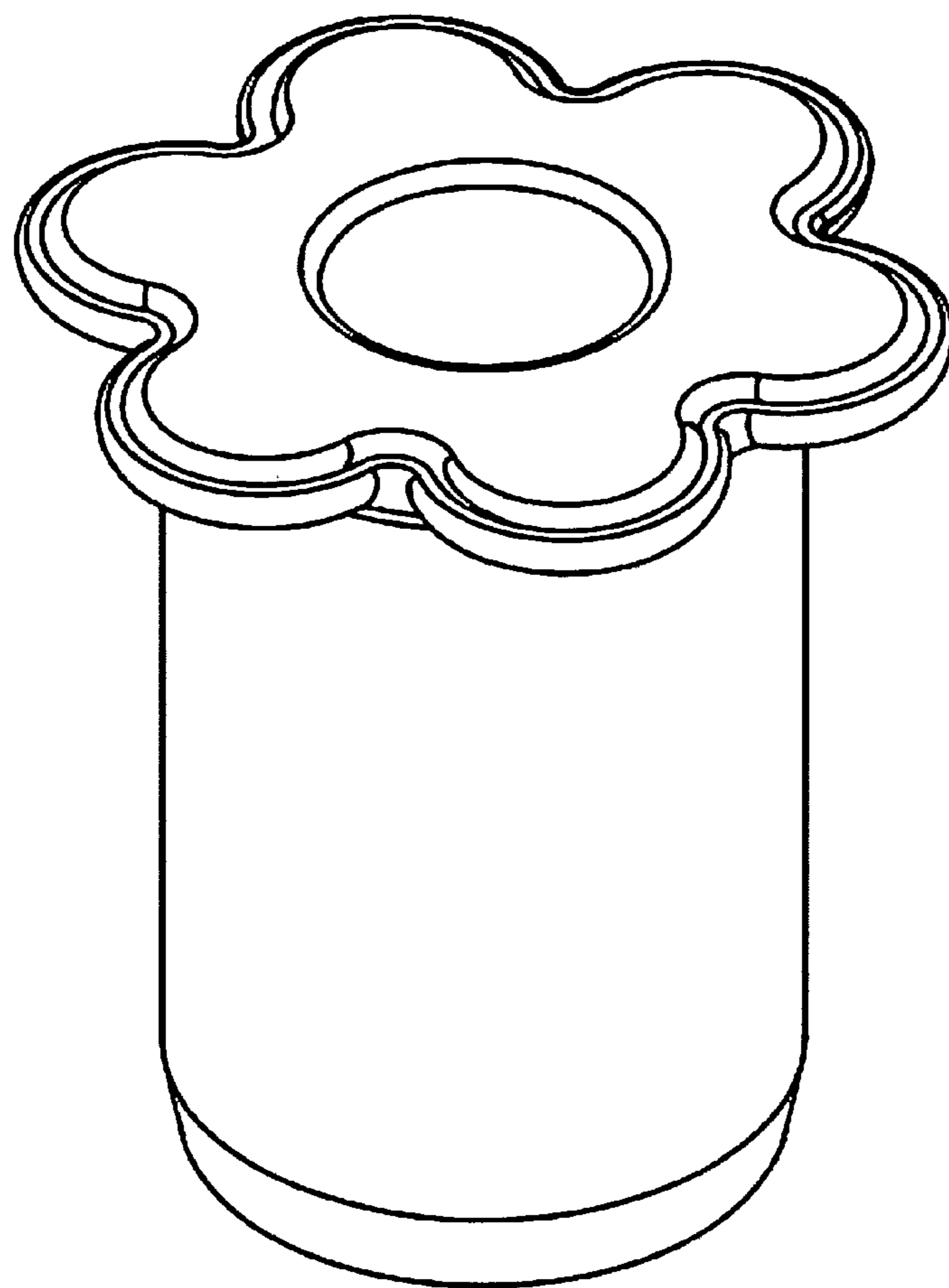


FIG. 8

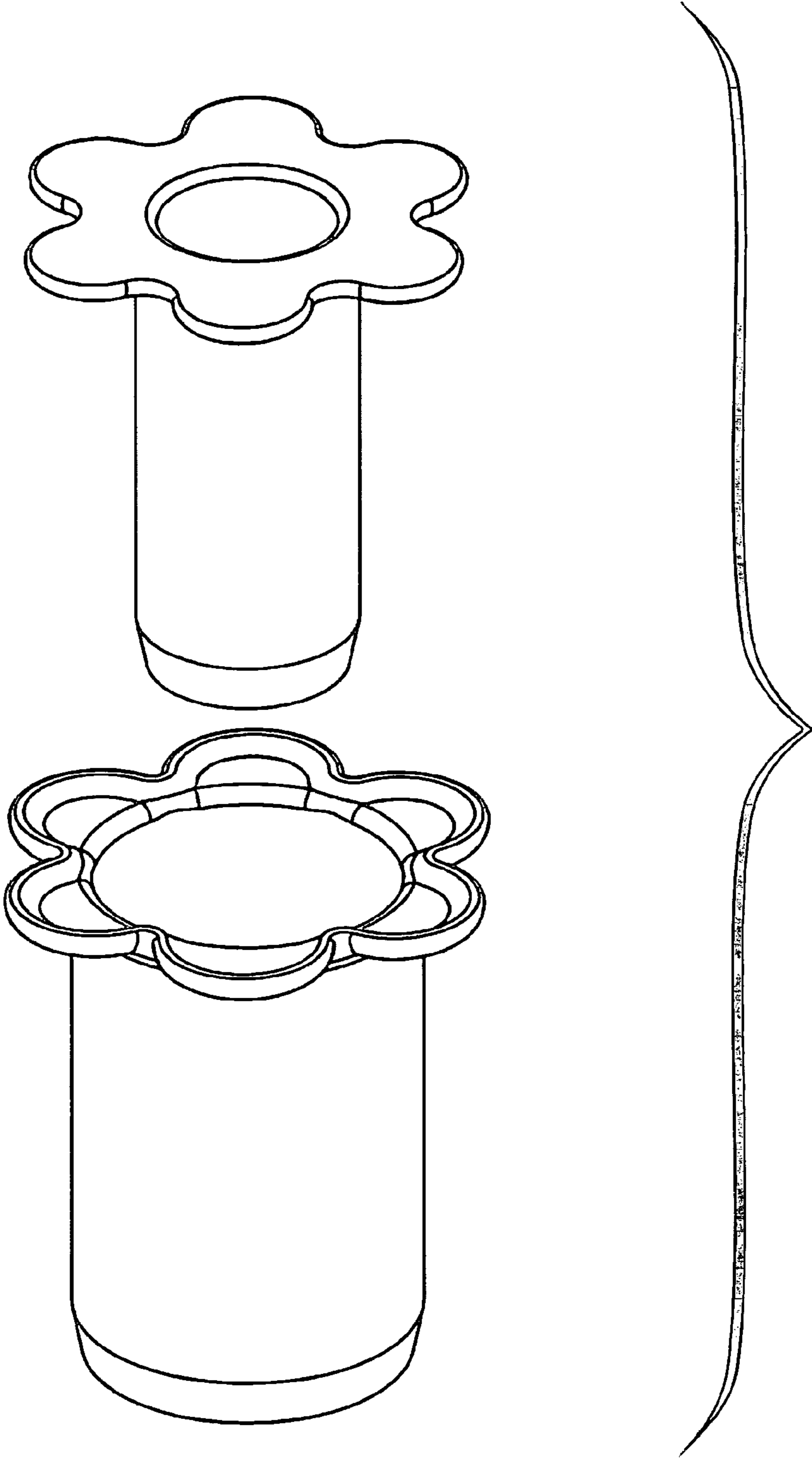


FIG. 9