



US00D734106S

(12) **United States Design Patent**  
**Frank et al.**

(10) **Patent No.:** **US D734,106 S**  
(45) **Date of Patent:** **\*\* Jul. 14, 2015**

(54) **CUBE MOLD**

(71) Applicant: **ICI USA, LLC**, Seattle, WA (US)

(72) Inventors: **Matthew Frank**, Seattle, WA (US);  
**Ryan H Peloquin**, Seattle, WA (US)

(73) Assignee: **ICI USA LLC**, Seattle, WA (US)

(\*\*) Term: **14 Years**

(21) Appl. No.: **29/452,209**

(22) Filed: **Apr. 12, 2013**

(51) **LOC (10) Cl.** ..... **07-04**

(52) **U.S. Cl.**  
USPC ..... **D7/672**

(58) **Field of Classification Search**

USPC ..... D7/368, 603, 672-676, 638, 669, 323,  
D7/354, 376, 543-546, 549, 555, 601-602,  
D7/677, 681, 701, 705, 708; 249/63, 69,  
249/70, 127, 132, 81, 91-92, 118-121,  
249/94-97, 126, 173, 175; 62/135, 348,  
62/352, 350, 300, 66, 228.2, 250, 312,  
62/398, 400, 459; D15/80, 89-90, 82-83;  
D1/101-103, 105; D23/200, 202,  
D23/204-206; 425/117, 118, 125, 126.1,  
425/126.2, 234; 294/87.11; 206/563, 423,  
206/822; 220/659, 669, 674-675,  
220/FOR. 112, FOR. 115, 800; D6/329, 351  
See application file for complete search history.

(56) **References Cited**

**U.S. PATENT DOCUMENTS**

D42,547 S	5/1912	Smith	
1,034,580 A *	8/1912	Buckau	425/408
2,028,808 A *	1/1936	Rosenthal	428/36.8
2,152,467 A *	3/1939	Crosby	62/530
2,247,018 A *	6/1941	Henning	249/119
2,839,209 A *	6/1958	Lester et al.	215/13.1
2,890,122 A *	6/1959	Katon	426/112

D187,748 S *	4/1960	Bently	D7/674
2,955,044 A *	10/1960	Tupper	426/515
2,980,039 A *	4/1961	Jolly	249/97
3,050,207 A *	8/1962	Oxenham	220/581

(Continued)

**OTHER PUBLICATIONS**

4pcs Ice Brick Mold Party Bar Tray Cube Round Sphere Ball Maker  
Mould Kitchen—ebay, (online), retrieved on Apr. 29, 2013.  
Retrieved from, URL: <http://www.ebay.com/itm/ws/eBay>.

(Continued)

*Primary Examiner* — Wan Laymon

*Assistant Examiner* — Mark Booker

(74) *Attorney, Agent, or Firm* — Schwabe, Williamson &  
Wyatt, P.C.

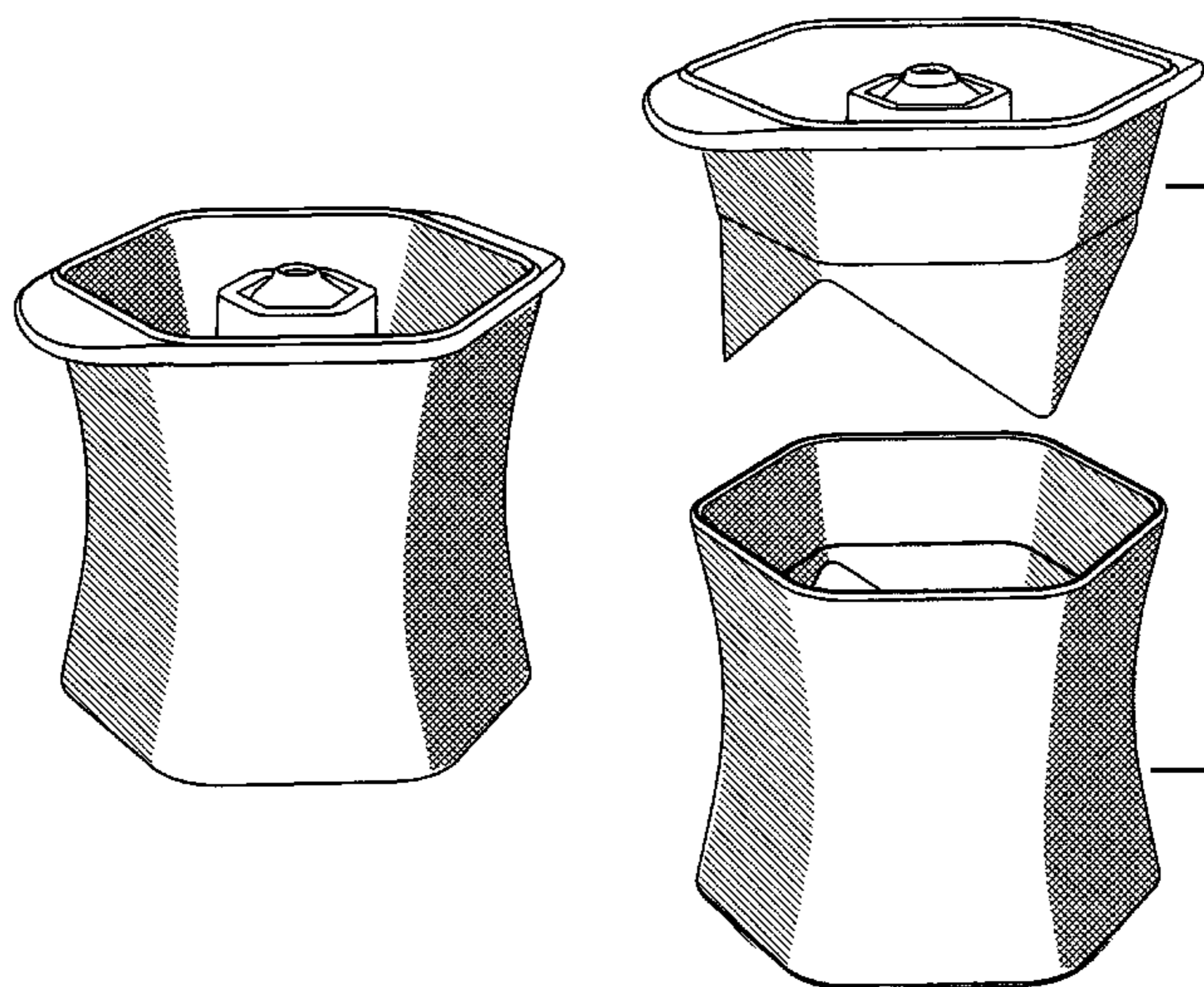
(57) **CLAIM**

The ornamental design for a cube mold, as shown and  
described.

**DESCRIPTION**

FIG. 1 shows a perspective view of the cube mold;  
FIG. 2 shows a first, side view of the cube mold when it is in  
a closed position where the opposite side the same as the side;  
FIG. 3 shows a top of the cube mold when it is in a closed  
position;  
FIG. 4 shows a second side view of the cube mold when it is  
in a closed position where the opposite side is the same as the  
side shown;  
FIG. 5 shows a top view of the cube mold when it is in an open  
position;  
FIG. 6 is a side view of the cube mold when it is in a closed  
position;  
FIG. 7 is a cross-sectional view of the sphere mold taken  
along line 7-7 of FIG. 6.  
FIG. 8 is an exploded view of the cube mold; and,  
FIG. 9 is a bottom view of the cube mold.

**1 Claim, 8 Drawing Sheets**



(56)

References Cited

U.S. PATENT DOCUMENTS

3,181,913 A \* 5/1965 Guido et al. .... 297/462  
 3,199,711 A \* 8/1965 Nurkiewicz ..... 220/581  
 3,204,959 A \* 9/1965 Nicholls ..... 473/610  
 3,287,807 A 11/1966 Johannes  
 4,075,264 A 2/1978 Hay, II  
 4,076,207 A \* 2/1978 Austin ..... 249/66.1  
 4,130,619 A 12/1978 Held  
 4,157,805 A 6/1979 Haber et al.  
 4,284,399 A 8/1981 Newcomb et al.  
 4,320,849 A 3/1982 Yellin  
 4,959,903 A 10/1990 Daoust et al.  
 D348,473 S \* 7/1994 Griffin, Sr. .... D15/90  
 5,527,012 A \* 6/1996 Vinkel et al. .... 249/61  
 5,937,525 A 8/1999 Chan  
 D432,874 S 10/2000 Kari  
 D504,286 S \* 4/2005 de Cleir ..... D7/675  
 D521,819 S 5/2006 So et al.  
 D648,989 S 11/2011 Coursey et al.  
 8,046,921 B2 11/2011 Mastroianni  
 D661,540 S 6/2012 Facey

8,408,016 B2 \* 4/2013 McCollough et al. .... 62/135  
 D687,681 S \* 8/2013 Barber ..... D7/674  
 2009/0088273 A1 4/2009 Nardacci et al.  
 2010/0162577 A1 7/2010 Chen  
 2012/0237656 A1 \* 9/2012 Henry ..... 426/512  
 2014/0197300 A1 \* 7/2014 Zorovich et al. .... 249/127

OTHER PUBLICATIONS

Tovolo Sphere Ice Molds—Sur la table, (online), product reviewed on Sep. 14, 2012, retrieved on Apr. 29, 2013. Retrieved from, URL: <http://www.surlatable.com/product/PR0-958470-10>.  
 Tovolo Sphere Ice Molds, Set of 2—Amazon, (online), reviewed on May 3, 2012, retrieved on Apr. 29, 2013. Retrieved from, URL: <http://www.amazon.com/Tovolo-Sphere-Ice-Mold/>.  
 Tovolo Square Ice Cube Maker 2 1 4" Diameter Ice Cubes for Cocktails—ebay, (online), site updated on Mar. 13, 2013, retrieved Apr. 29, 2013. URL: <http://ebay.com/itm/ws/eBayISAPI>.  
 Office Action dated May 10, 2013 for Design U.S. Appl. No. 29/417,609 (priority application); pp. 1-10.

\* cited by examiner

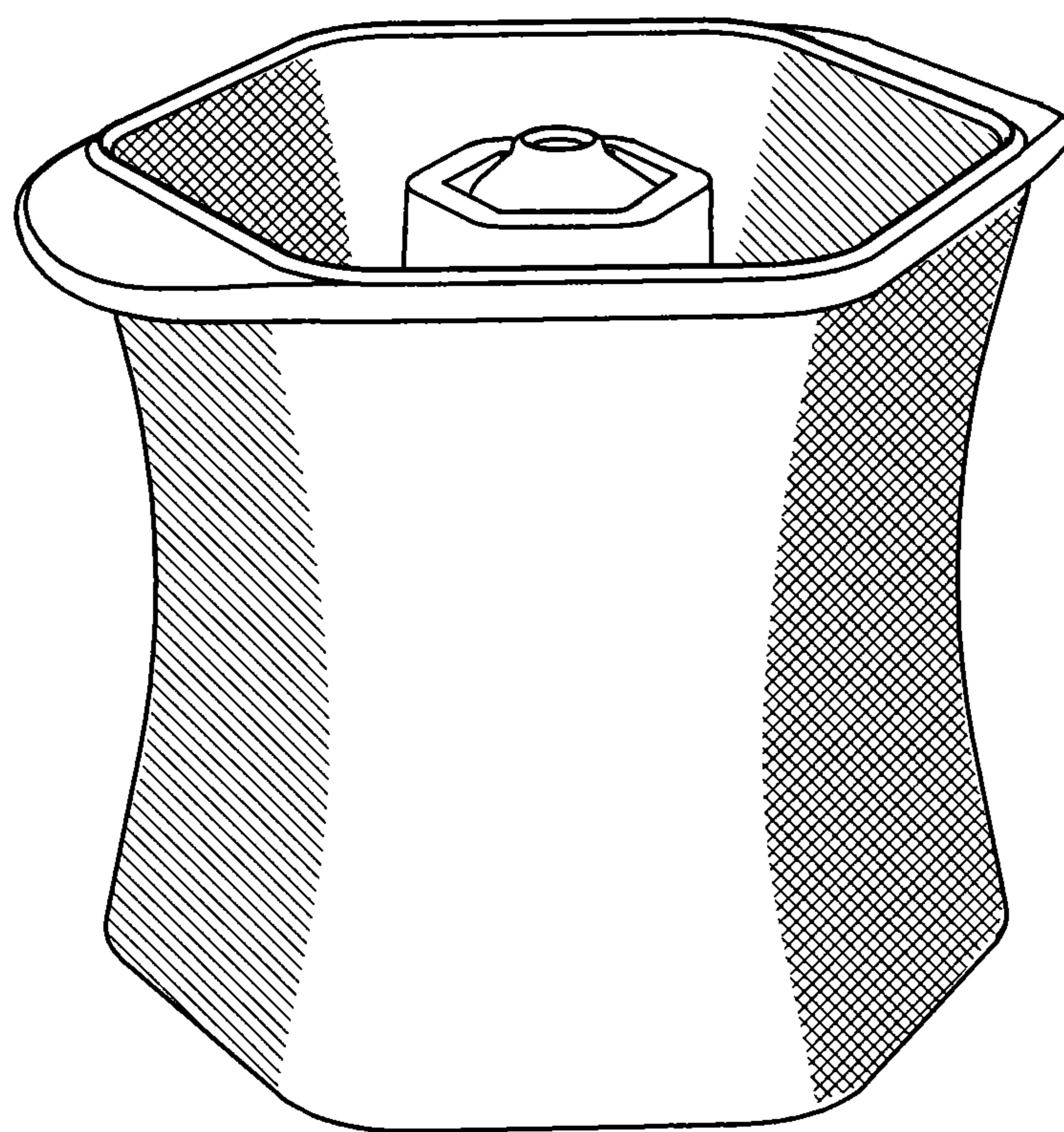


FIG 1

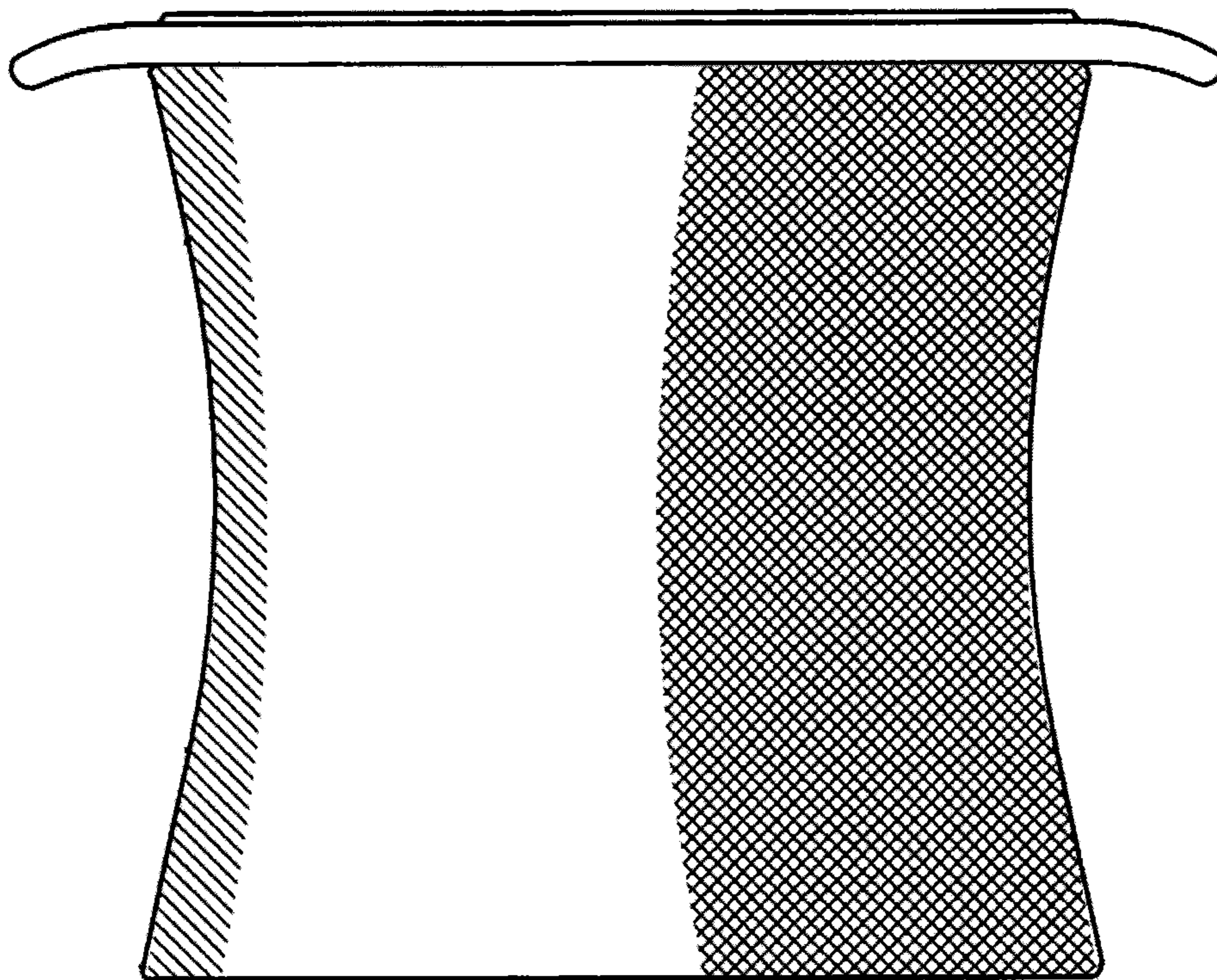


FIG 2

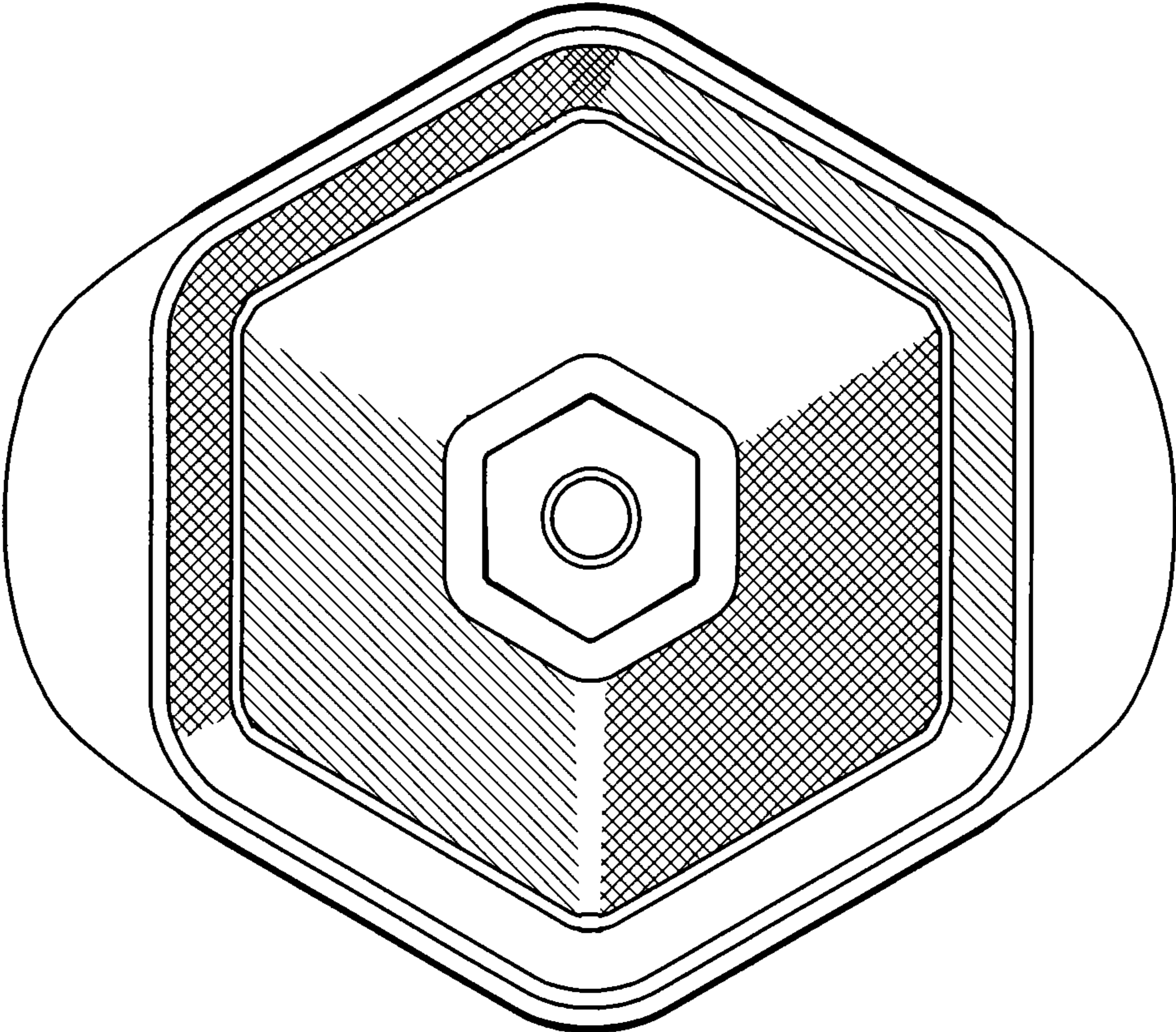


FIG 3

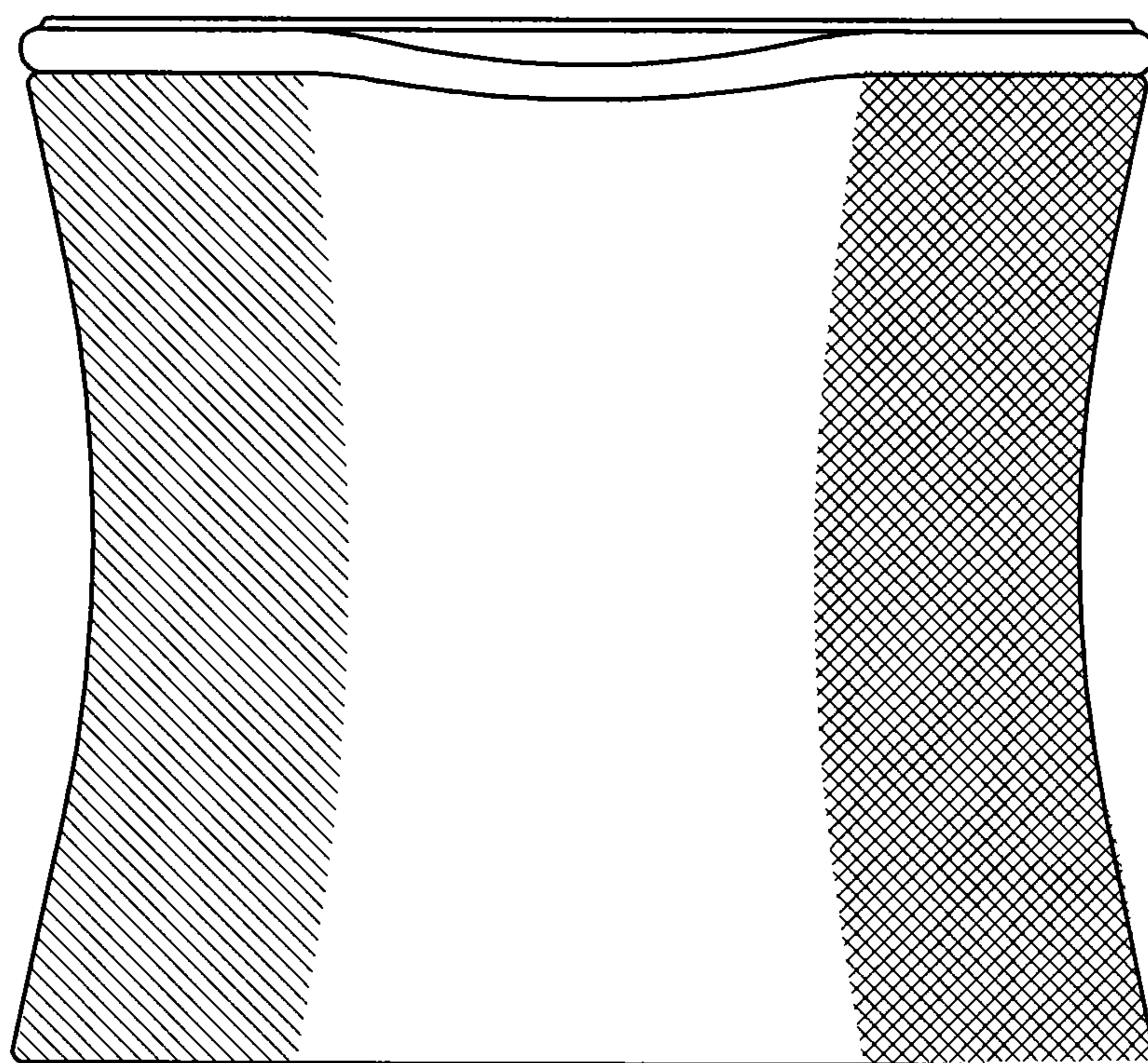


FIG 4

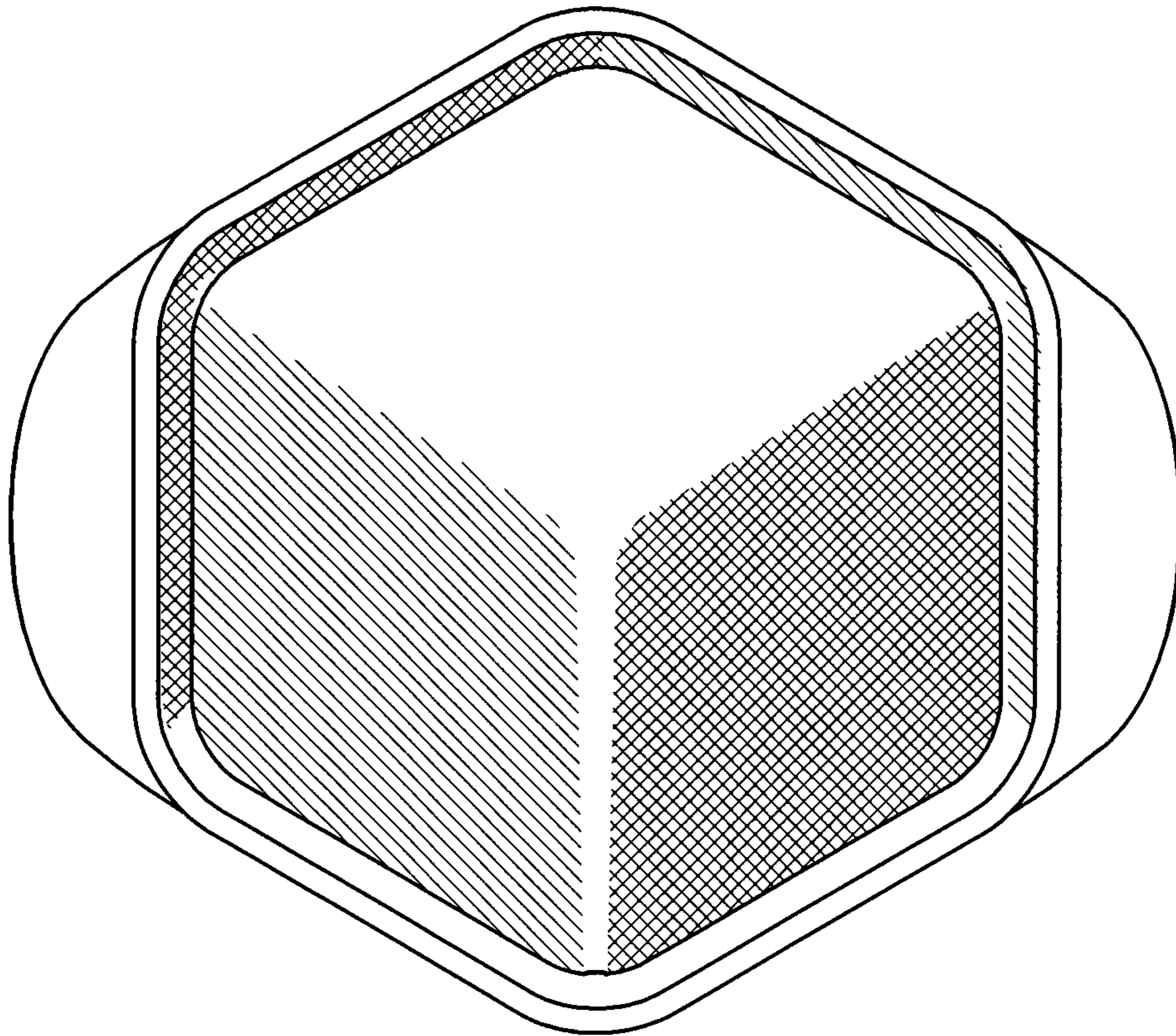
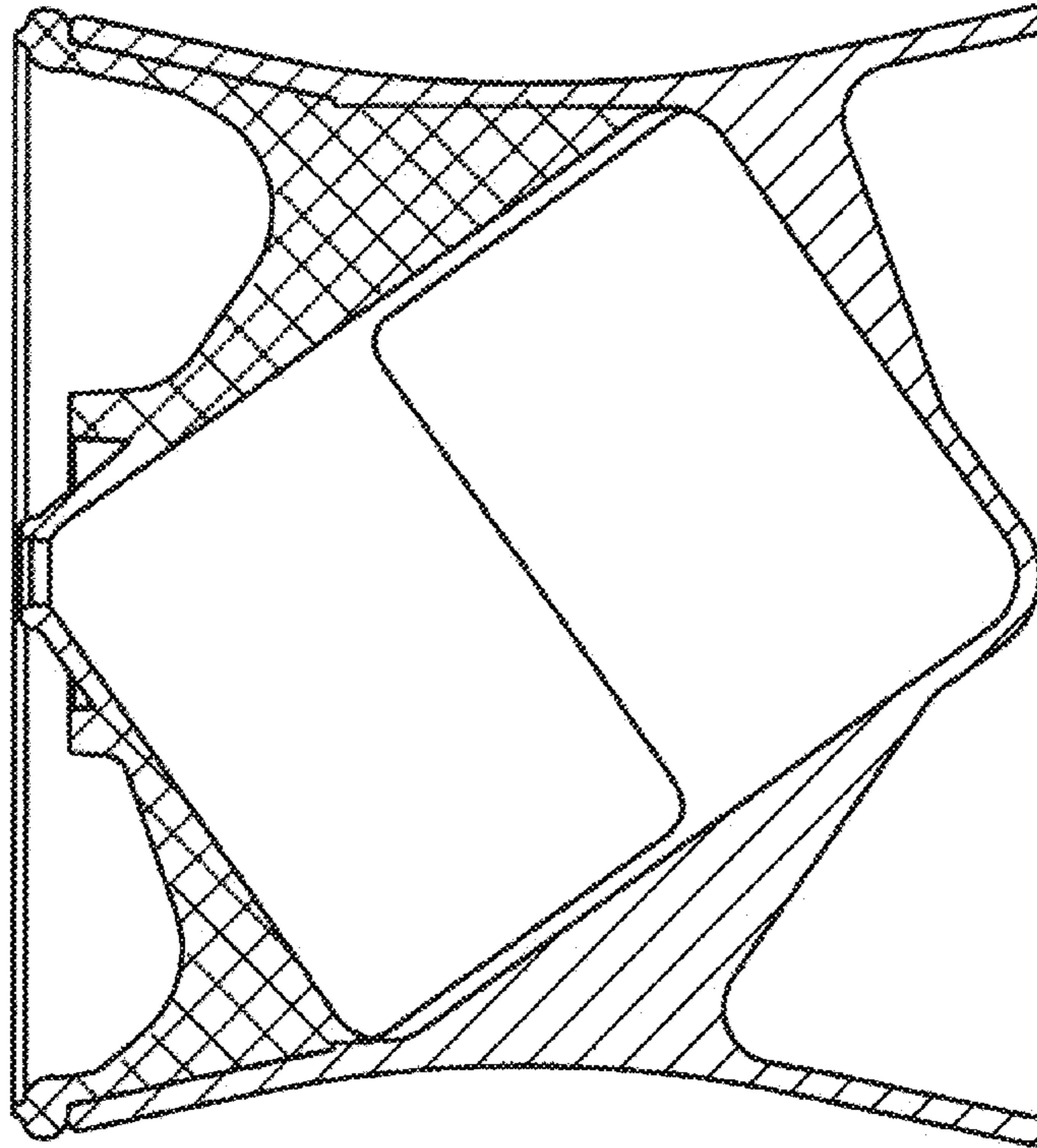
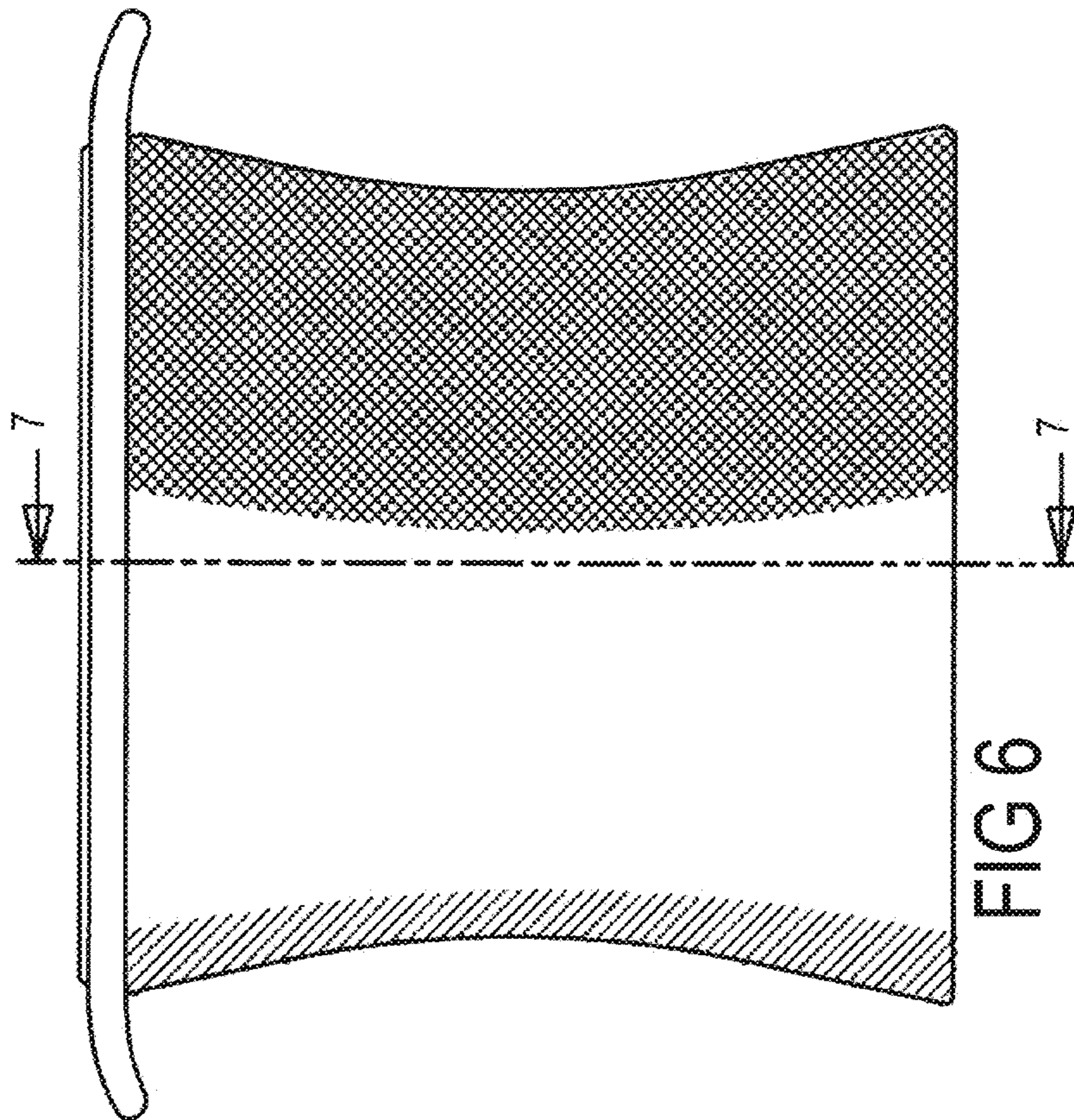


FIG 5





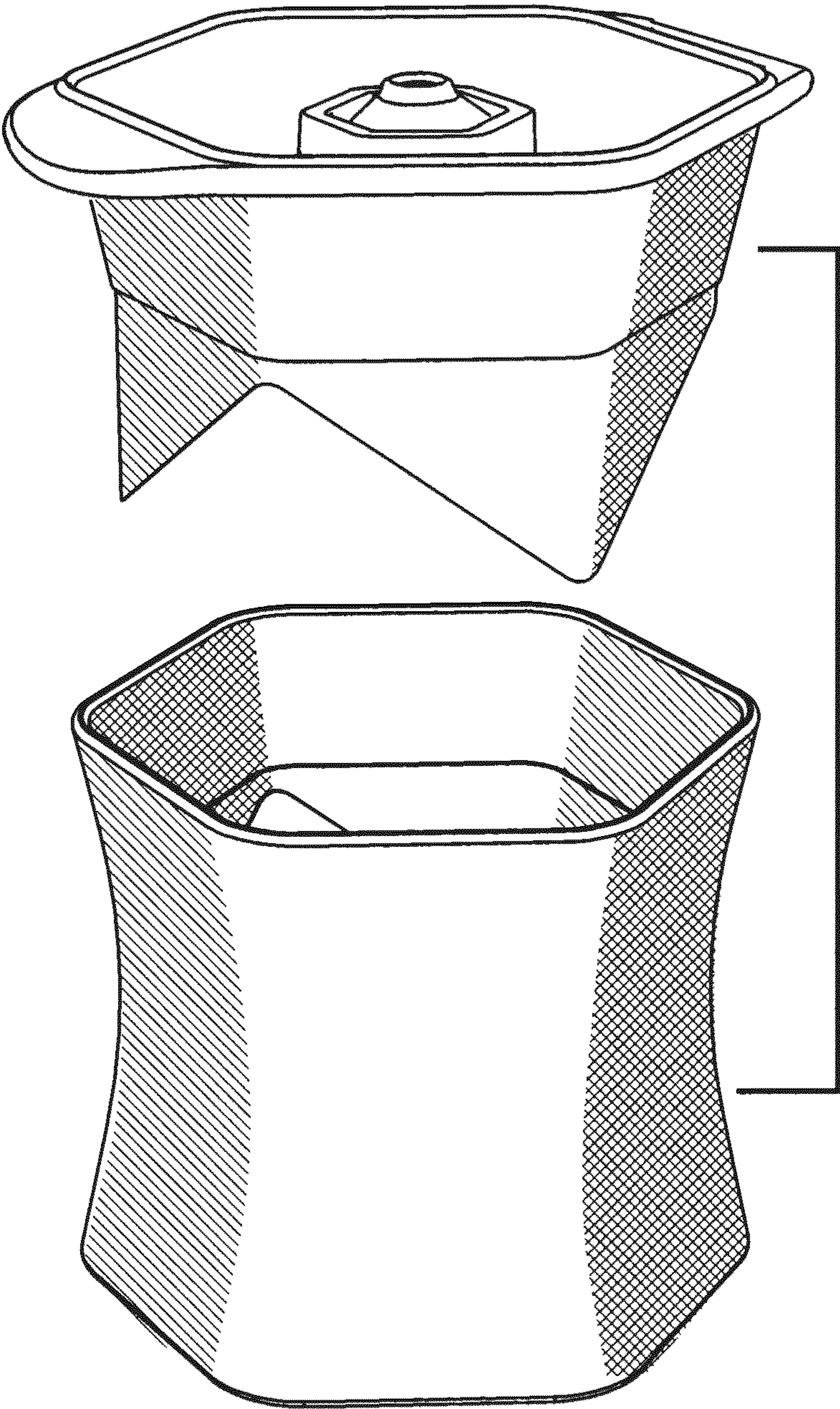


FIG 8

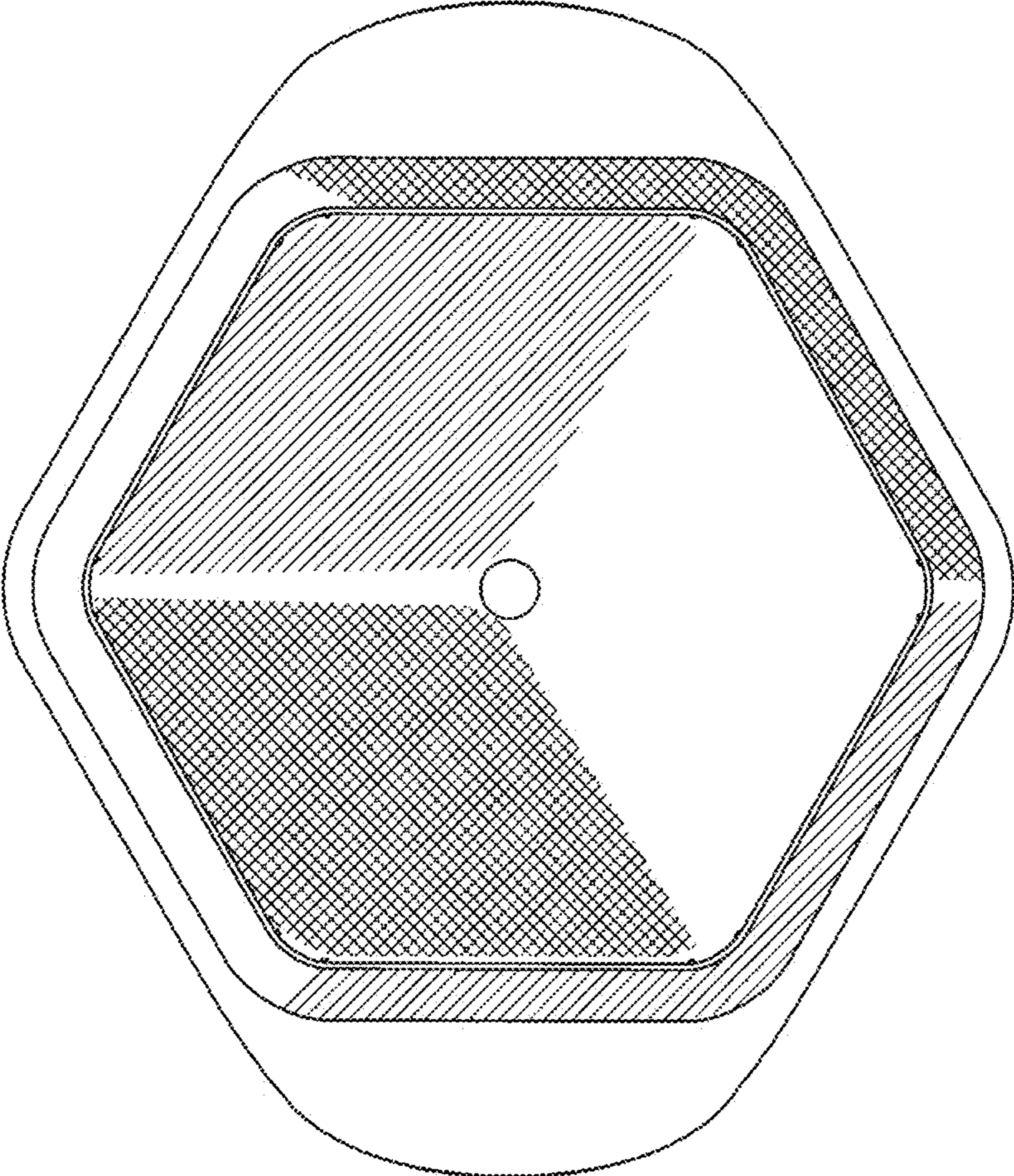


FIG 9