



US00D734105S

(12) **United States Design Patent**
McClellan

(10) **Patent No.:** **US D734,105 S**
(45) **Date of Patent:** **** Jul. 14, 2015**

(54) **FOOD SLICING TOOL ASSEMBLY**

(71) Applicant: **Victoria J. McClellan**, Hoffman Estates, IL (US)

(72) Inventor: **Victoria J. McClellan**, Hoffman Estates, IL (US)

(**) Term: **14 Years**

(21) Appl. No.: **29/445,210**

(22) Filed: **Feb. 8, 2013**

(51) **LOC (10) Cl.** **07-04**

(52) **U.S. Cl.**
USPC **D7/672**

(58) **Field of Classification Search**

USPC D7/672-678, 381-385, 412; D8/98;
30/114-115, 172, 277-279.6,
30/301-305, 314-315; 99/506, 509, 537,
99/540, 544, 554, 584; 241/92-95, 100,
241/168-169.1, 273.1-273.4, 30, 33, 36,
241/37.5; 83/669, 856-858, 717, 697, 870,
83/699.51, 699.61, 932, 954, 437.4, 441.1,
83/431, 435.15, 425.3

See application file for complete search history.

(56) **References Cited**

U.S. PATENT DOCUMENTS

1,613,223	A *	1/1927	Davis	30/114
1,706,934	A	3/1929	Miles et al.	
4,297,932	A	11/1981	Wells, Jr. et al.	
4,411,066	A	10/1983	Allahverdian	
5,129,159	A	7/1992	Fuenzalida	
D345,490	S *	3/1994	Broadbent et al.	D7/673
5,446,965	A	9/1995	Makridis	
7,480,999	B2 *	1/2009	Atwater et al.	30/289
D586,627	S	2/2009	Carrell	
D652,692	S *	1/2012	De Buyer et al.	D7/672
2006/0272466	A1 *	12/2006	Atwater et al.	83/620
2014/0290069	A1 *	10/2014	White, III	30/114

OTHER PUBLICATIONS

Cake Cutter. http://www.bestoolz.com/cake_cutter.htm. Accessed Oct. 10, 2012.

* cited by examiner

Primary Examiner — Wan Laymon

Assistant Examiner — Mark Booker

(74) *Attorney, Agent, or Firm* — Robert C. Montgomery; Montgomery Patent & Design, LP.

(57) **CLAIM**

The ornamental design for a food slicing tool assembly, as shown and described.

DESCRIPTION

FIG. 1 is a perspective view of a food slicing tool in full assembly, showing my new design;

FIG. 2 is a front perspective of a single blade, representative of all blades within the assembly, showing an adjustable portion fully retracted, with the center post removed for ease of illustration;

FIG. 3 is a front perspective view thereof, showing an adjustable portion fully extended;

FIG. 4 is a left side view, wherein the right side view is a mirror image thereof;

FIG. 5 is a front view thereof;

FIG. 6 is a rear view thereof;

FIG. 7 is a top view thereof;

FIG. 8 is a bottom view thereof;

FIG. 9 is a front perspective view of the center post portion and a removable top portion, with the blades removed for ease of illustration;

FIG. 10 is a first side view thereof;

FIG. 11 is a second side view thereof, rotated 90° from the first side;

FIG. 12 is a third side view thereof, rotated 90° from the second side;

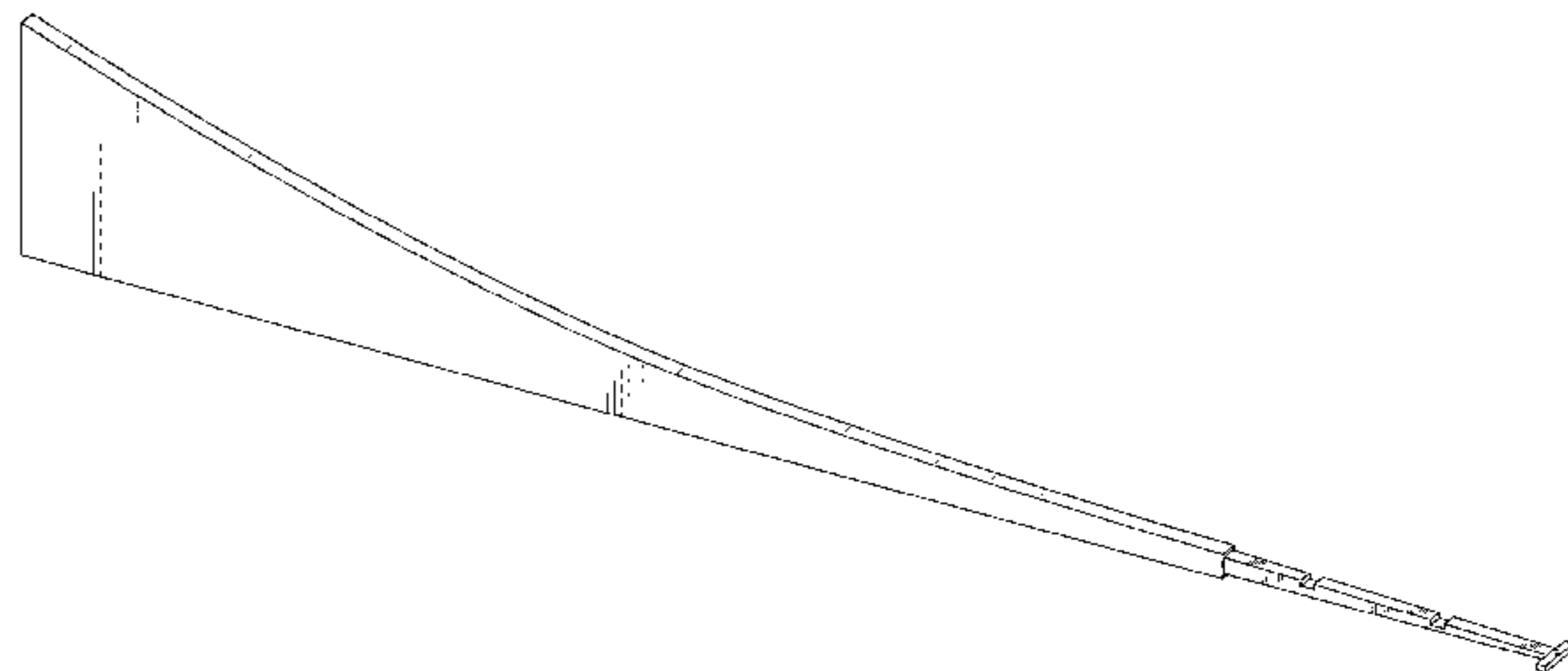
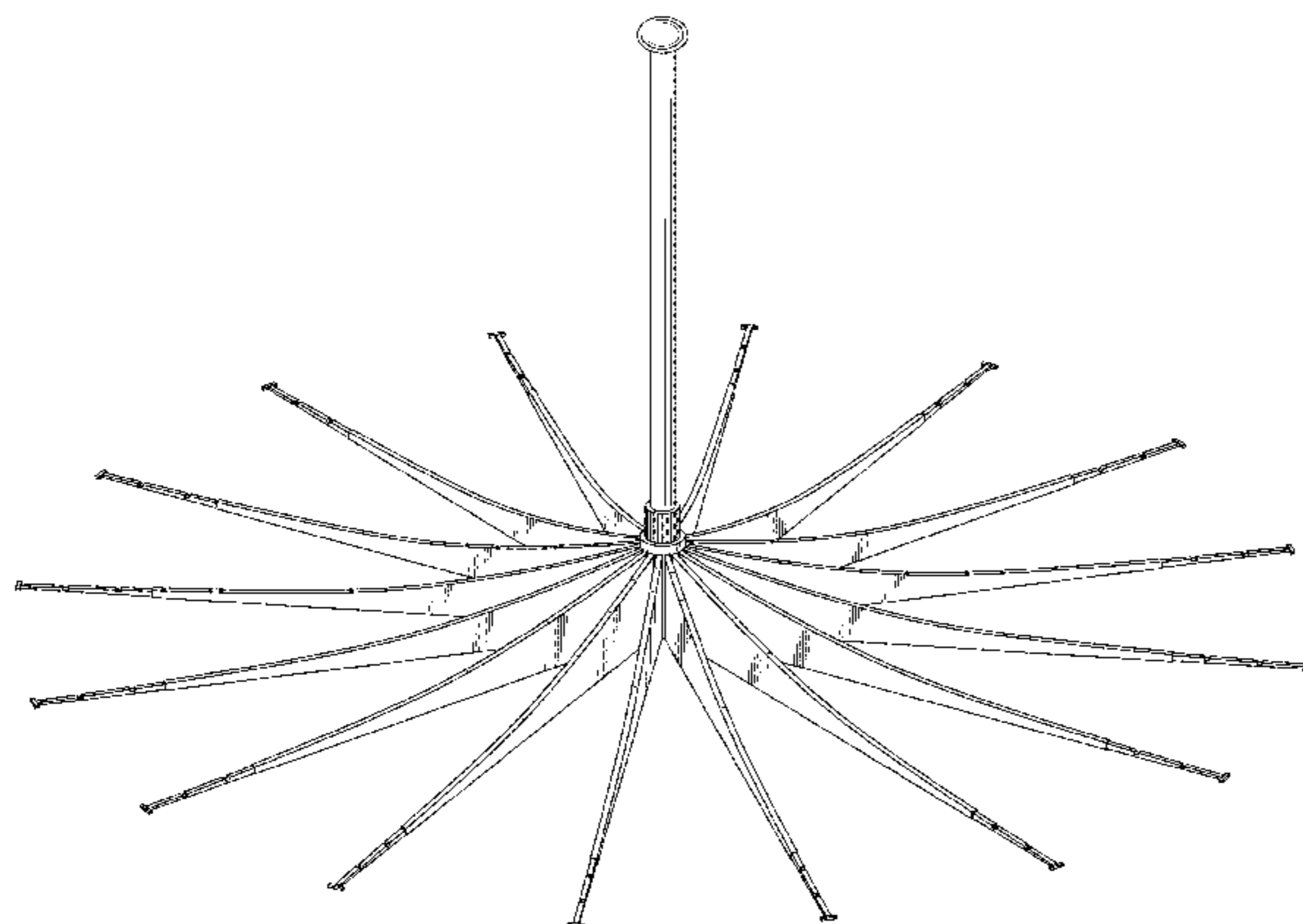
FIG. 13 is a fourth side view thereof, rotated 90° from the third side;

FIG. 14 is a top view thereof; and,

FIG. 15 is a bottom view thereof.

FIGS. 2-15 are isolated and close-up views representing individual components of the overall article as depicted in FIG. 1.

1 Claim, 12 Drawing Sheets



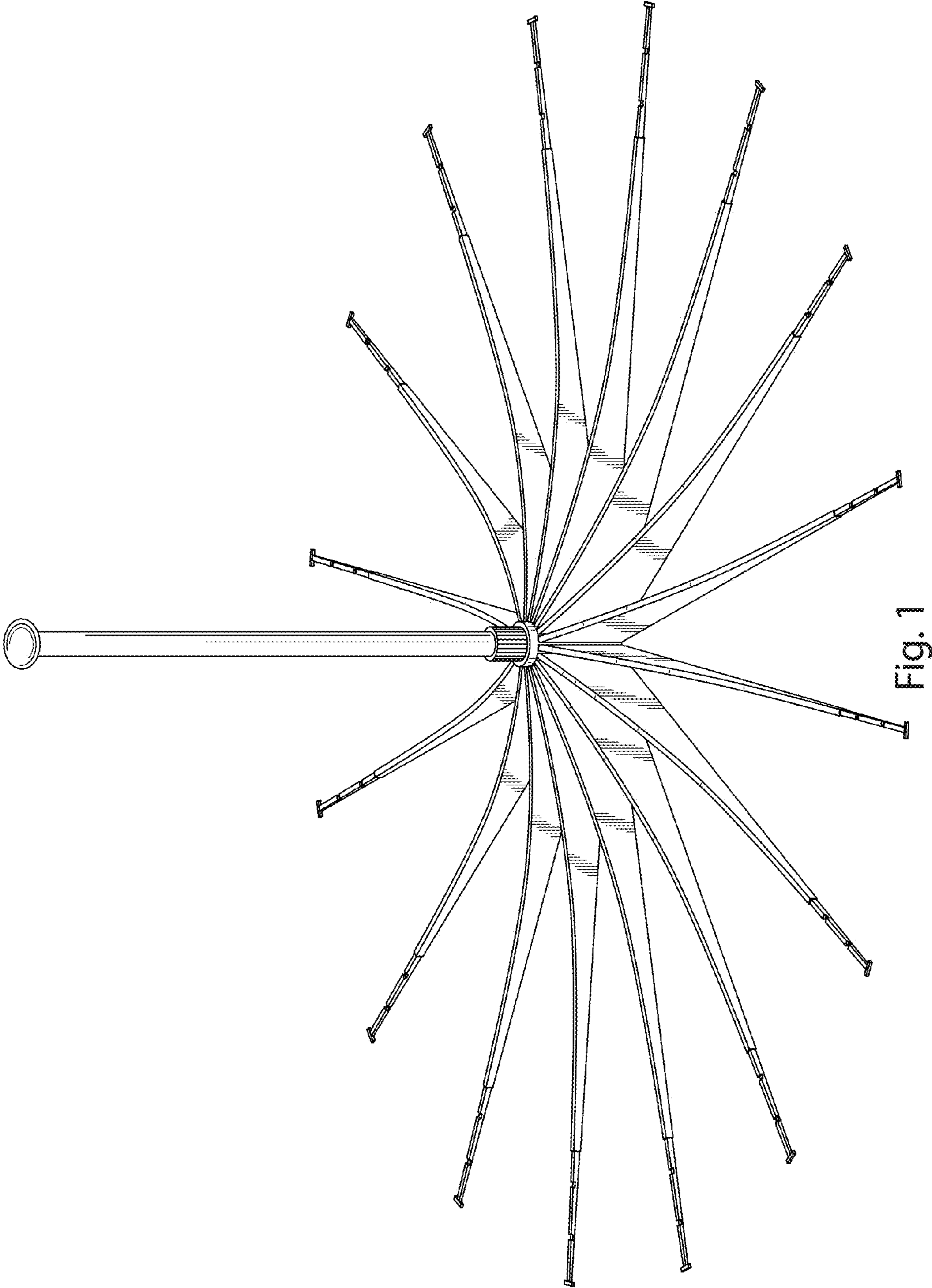


Fig. 1

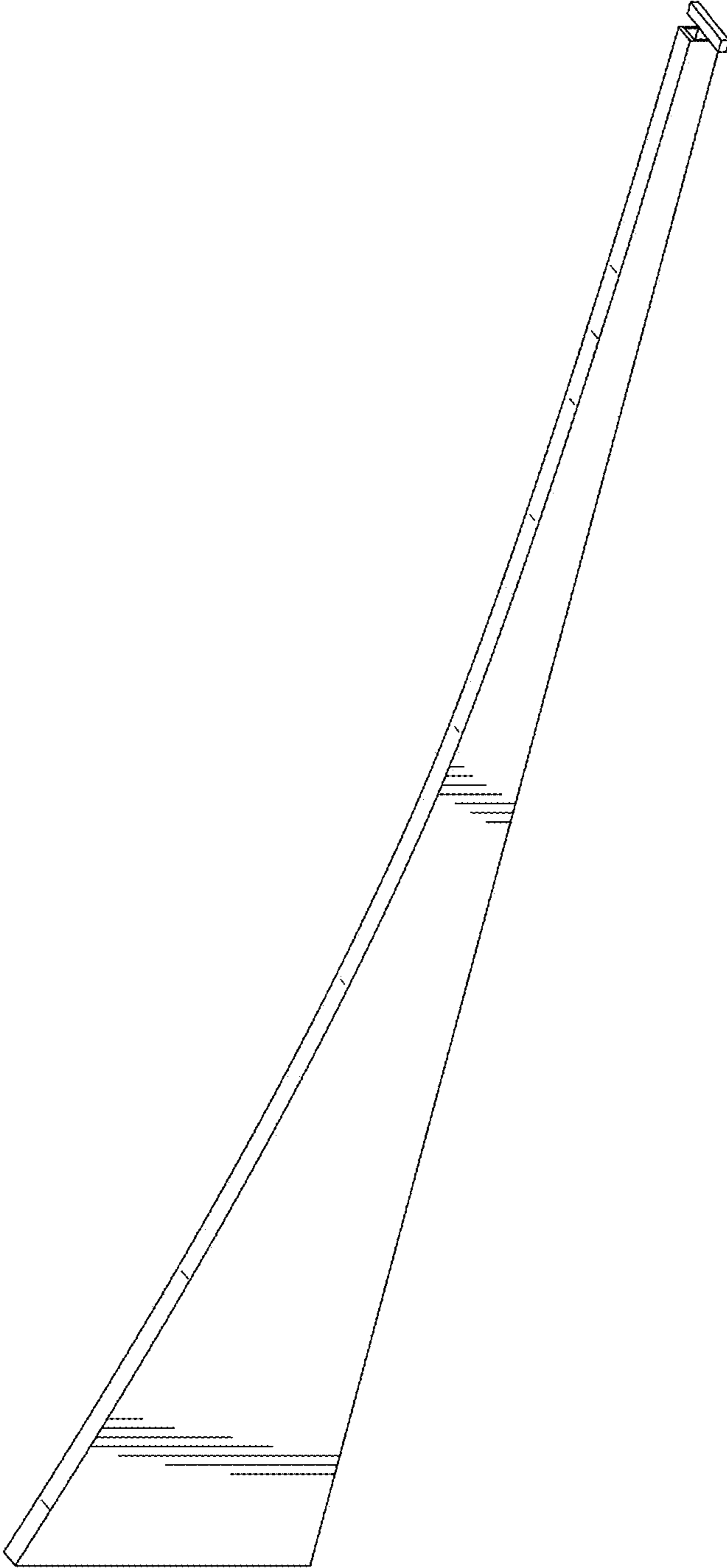


Fig. 2

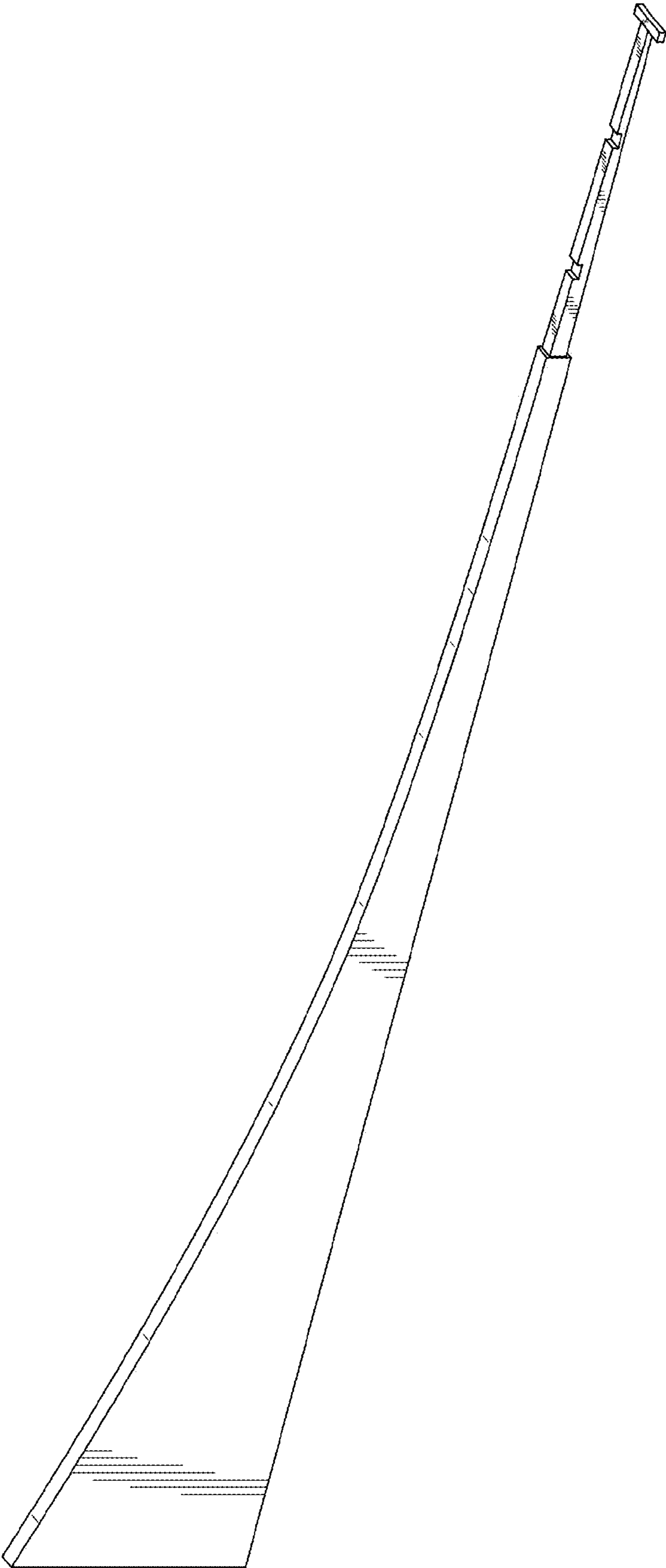


Fig. 3

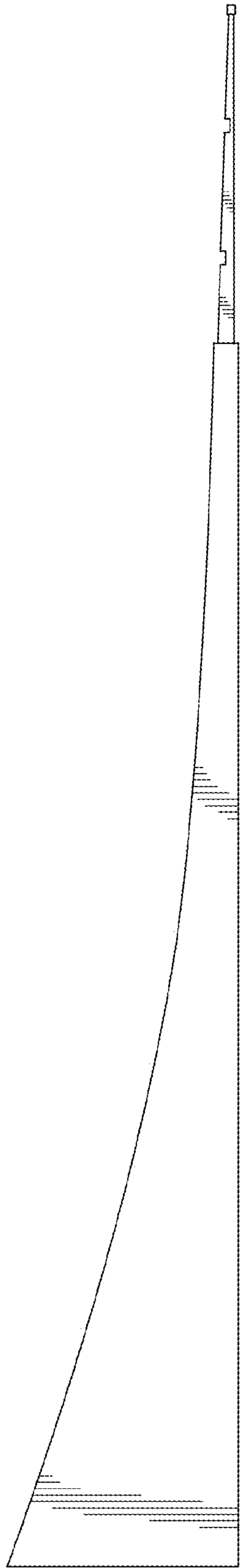


Fig. 4

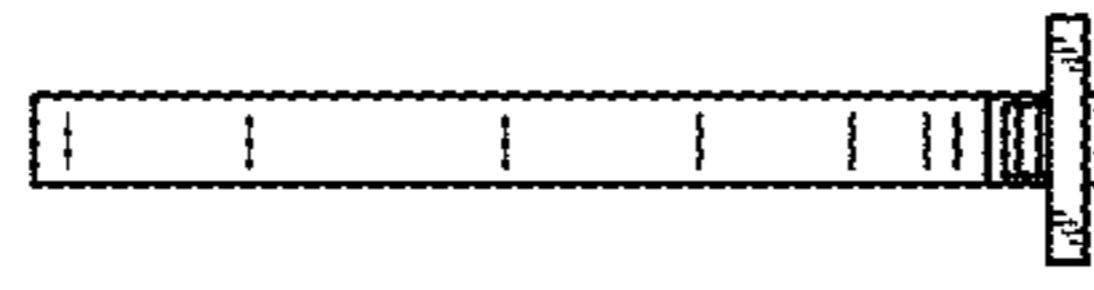


Fig. 6

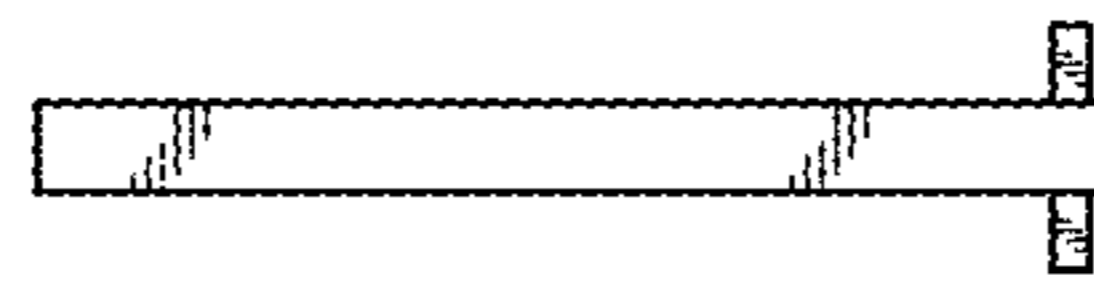


Fig. 5

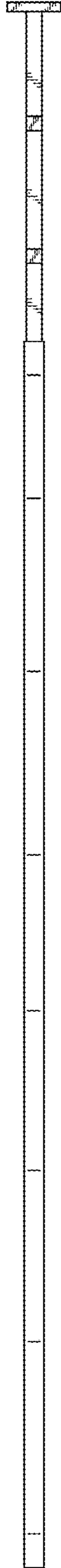


Fig. 7

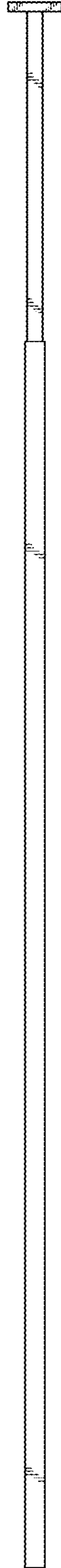


Fig. 8

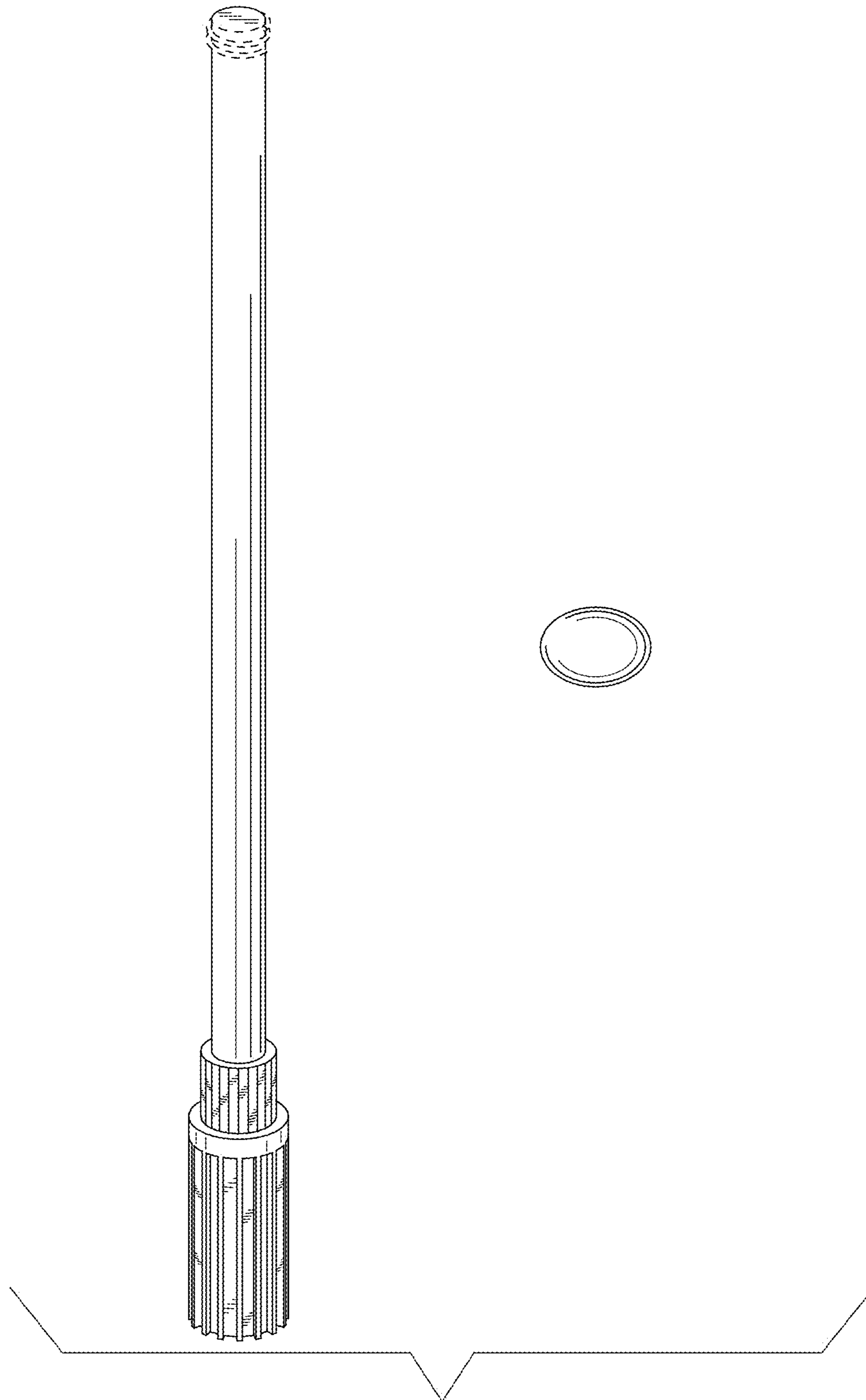


Fig. 9

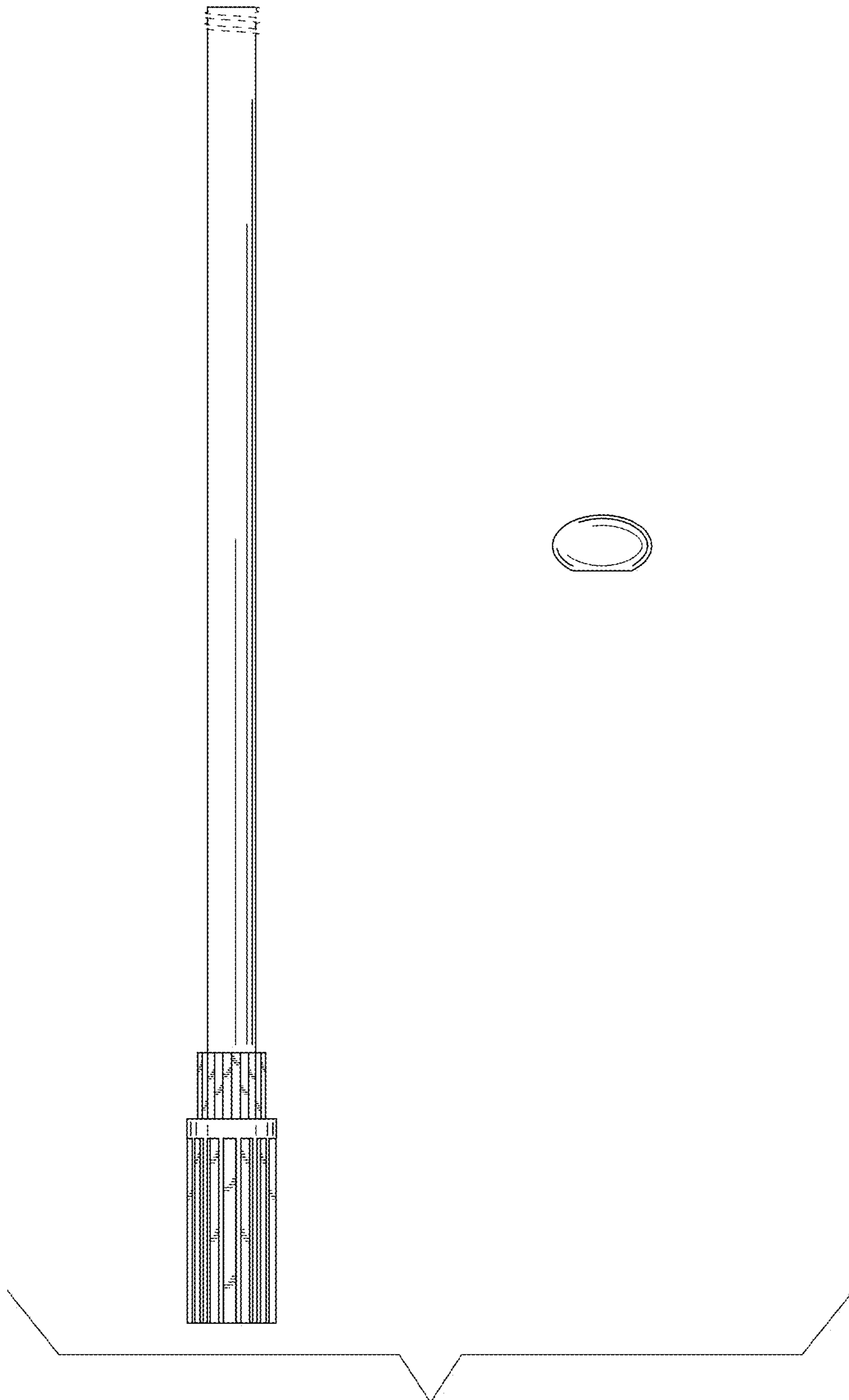


Fig. 10

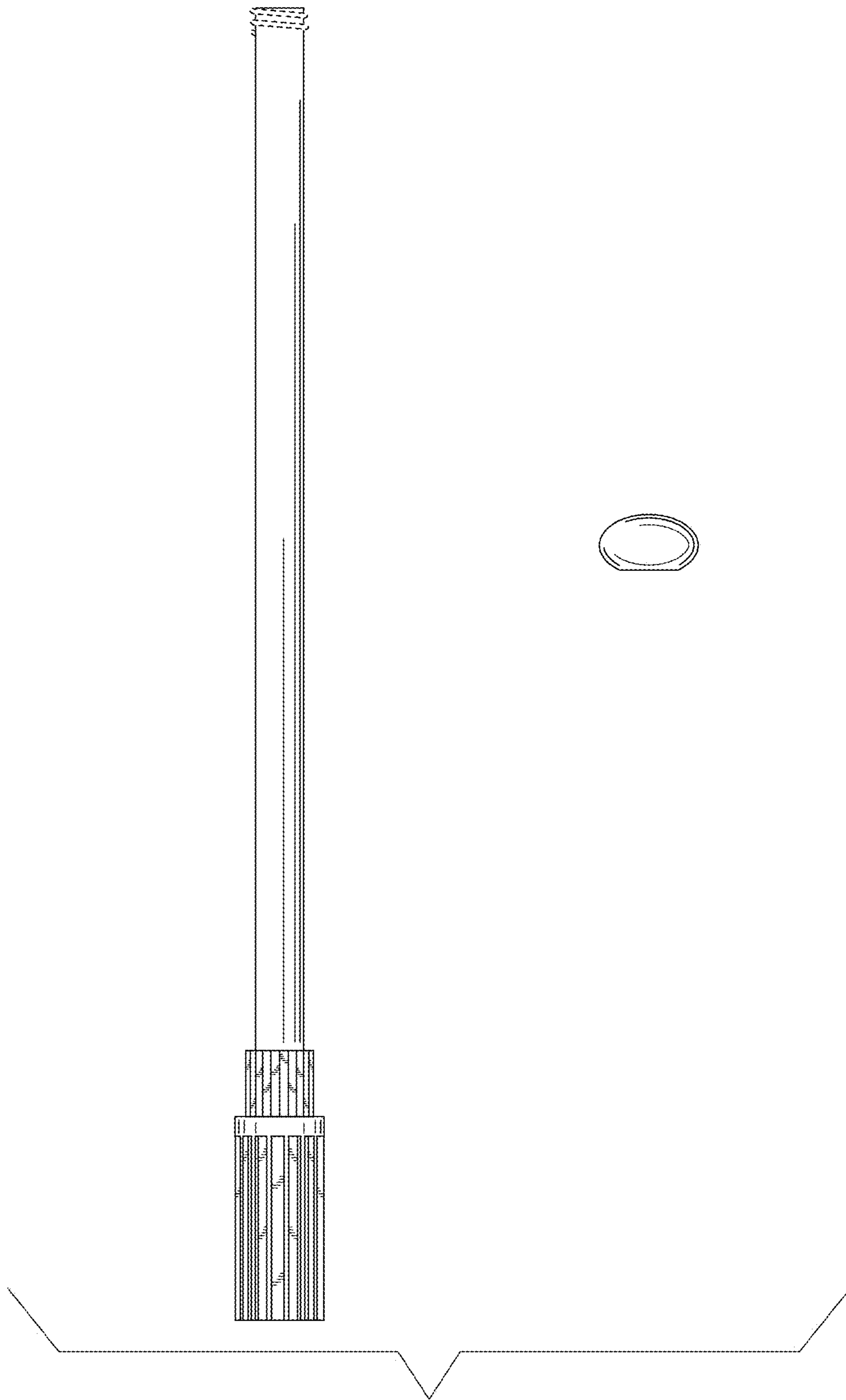


Fig. 11

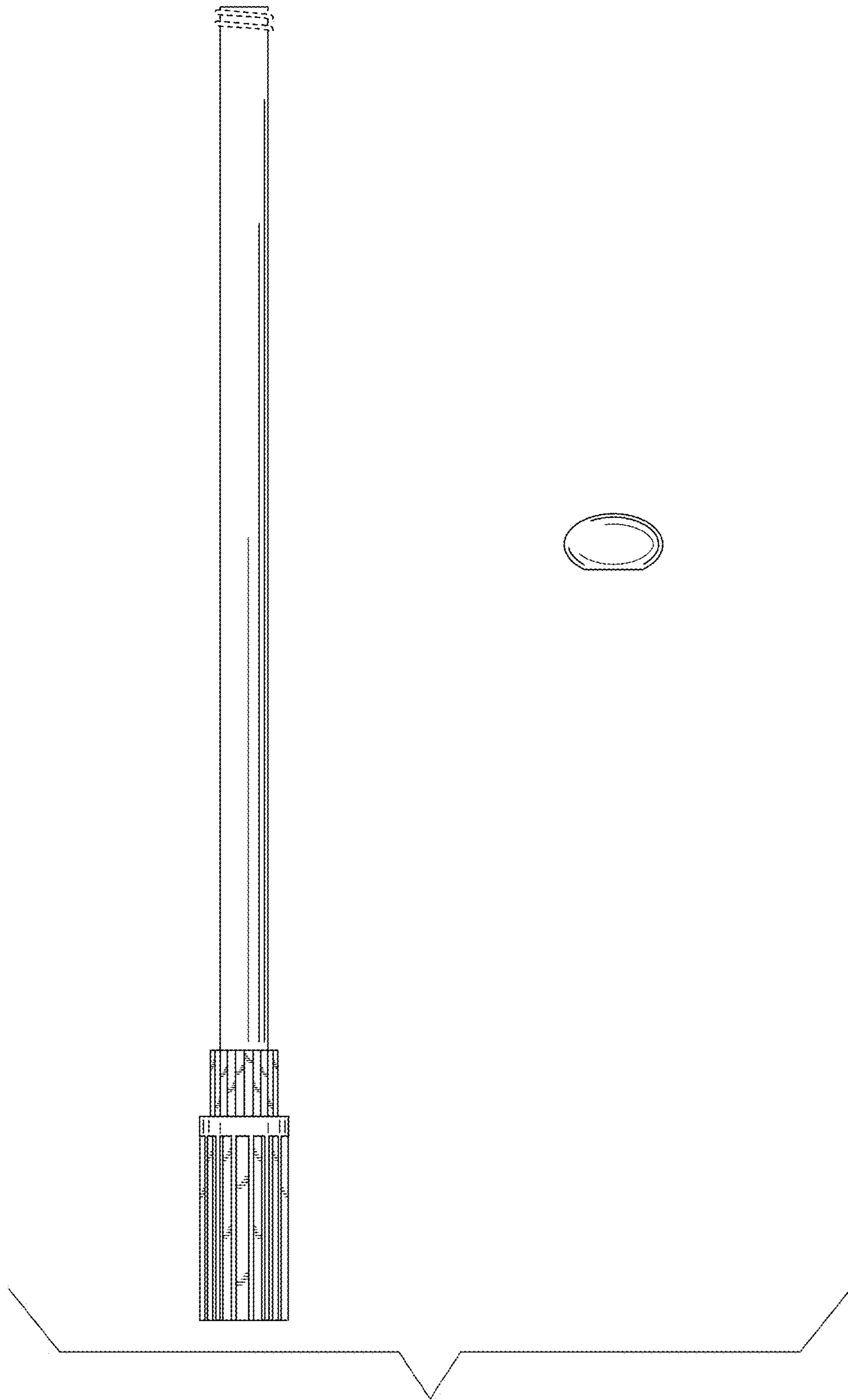


Fig. 12

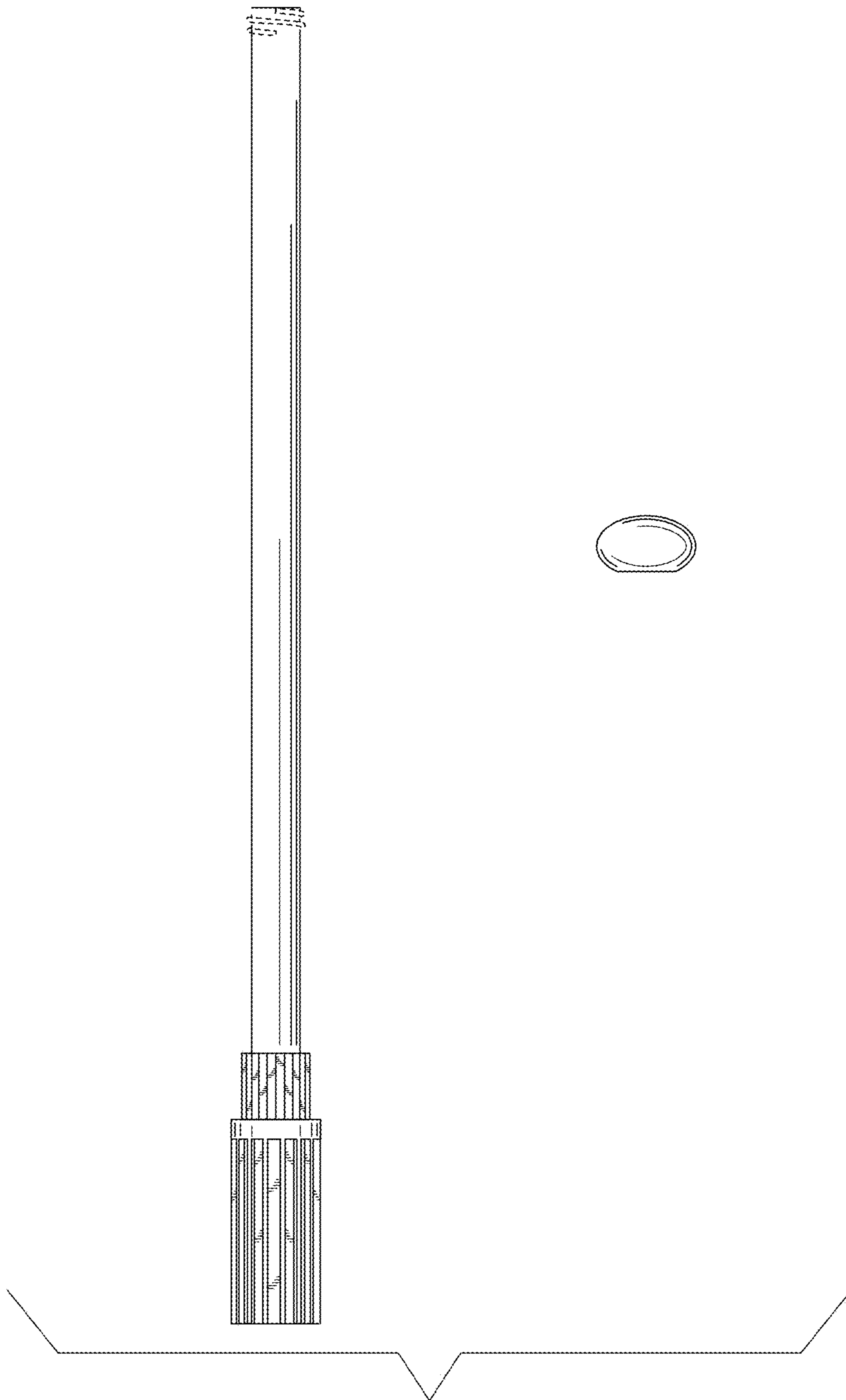


Fig. 13

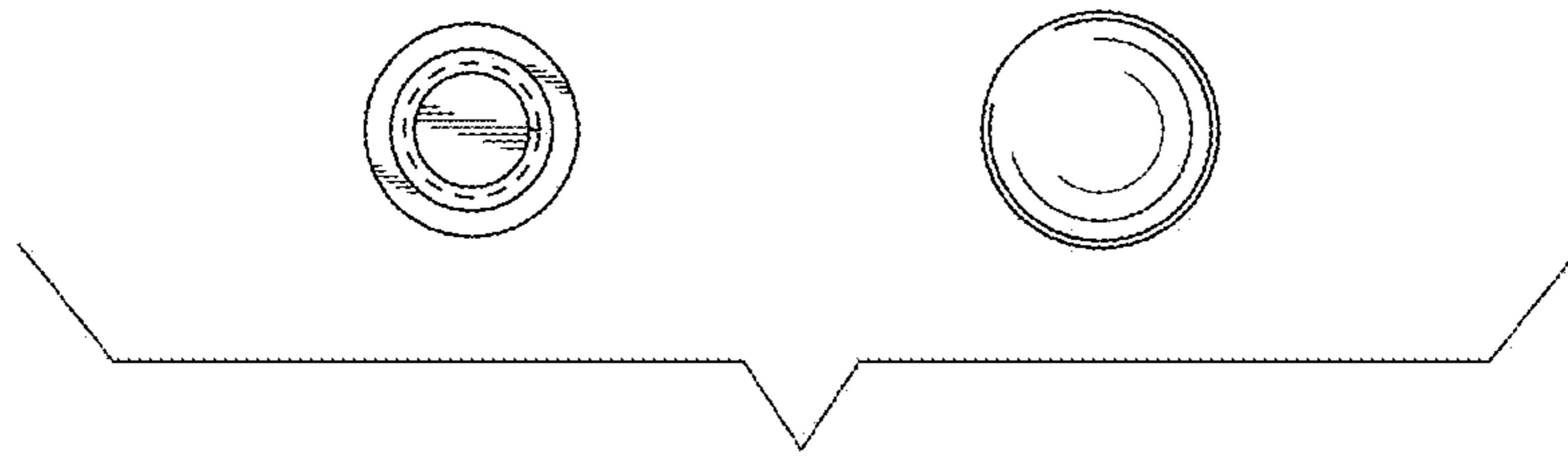


Fig. 14

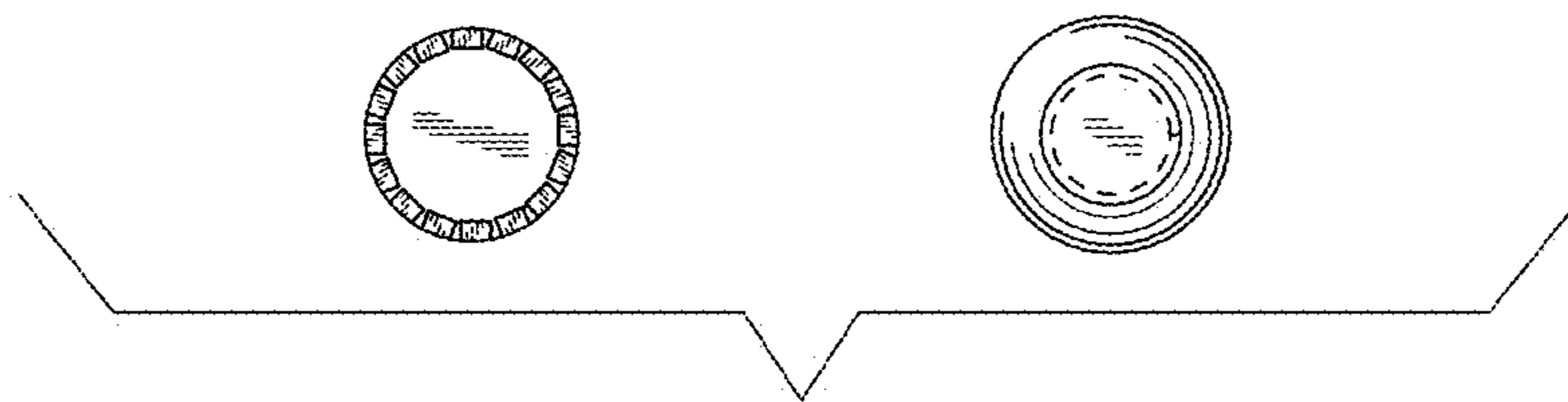


Fig. 15