



US00D734103S

(12) **United States Design Patent**
Kin

(10) **Patent No.:** **US D734,103 S**

(45) **Date of Patent:** **** Jul. 14, 2015**

(54) **COLANDER**

(71) Applicant: **H & H ASIA LTD.**, Taipei (TW)

(72) Inventor: **Lam Ngai Kin**, Hong Kong (HK)

(73) Assignee: **H & H ASIA LTD.**, Taipei (TW)

(**) Term: **14 Years**

(21) Appl. No.: **29/480,794**

(22) Filed: **Jan. 29, 2014**

(51) **LOC (10) Cl.** **07-04**

(52) **U.S. Cl.**
USPC **D7/667**

(58) **Field of Classification Search**
USPC D7/667, 668, 368, 669, 538-542, 584,
D7/586, 587, 400; 100/110, 113, 116, 117,
100/127, 213, 248; 210/314, 249, 480, 481,
210/464, 470-478, 497.01, 497.1, 498, 499,
210/495-497, 456, 493.3, 493.5;
99/505-510, 497, 403, 345, 324, 325,
99/339, 425, 426, 415
CPC A47J 19/00; A47J 43/24; A47J 47/20
See application file for complete search history.

(56) **References Cited**

U.S. PATENT DOCUMENTS

D469,667 S * 2/2003 Burton D7/667
D558,536 S * 1/2008 Curtin D7/667

7,678,271 B2 * 3/2010 Curtin 210/232
2003/0217649 A1 * 11/2003 Leonori 99/495

* cited by examiner

Primary Examiner — Terry Wallace

(74) *Attorney, Agent, or Firm* — Baker & McKenzie LLP

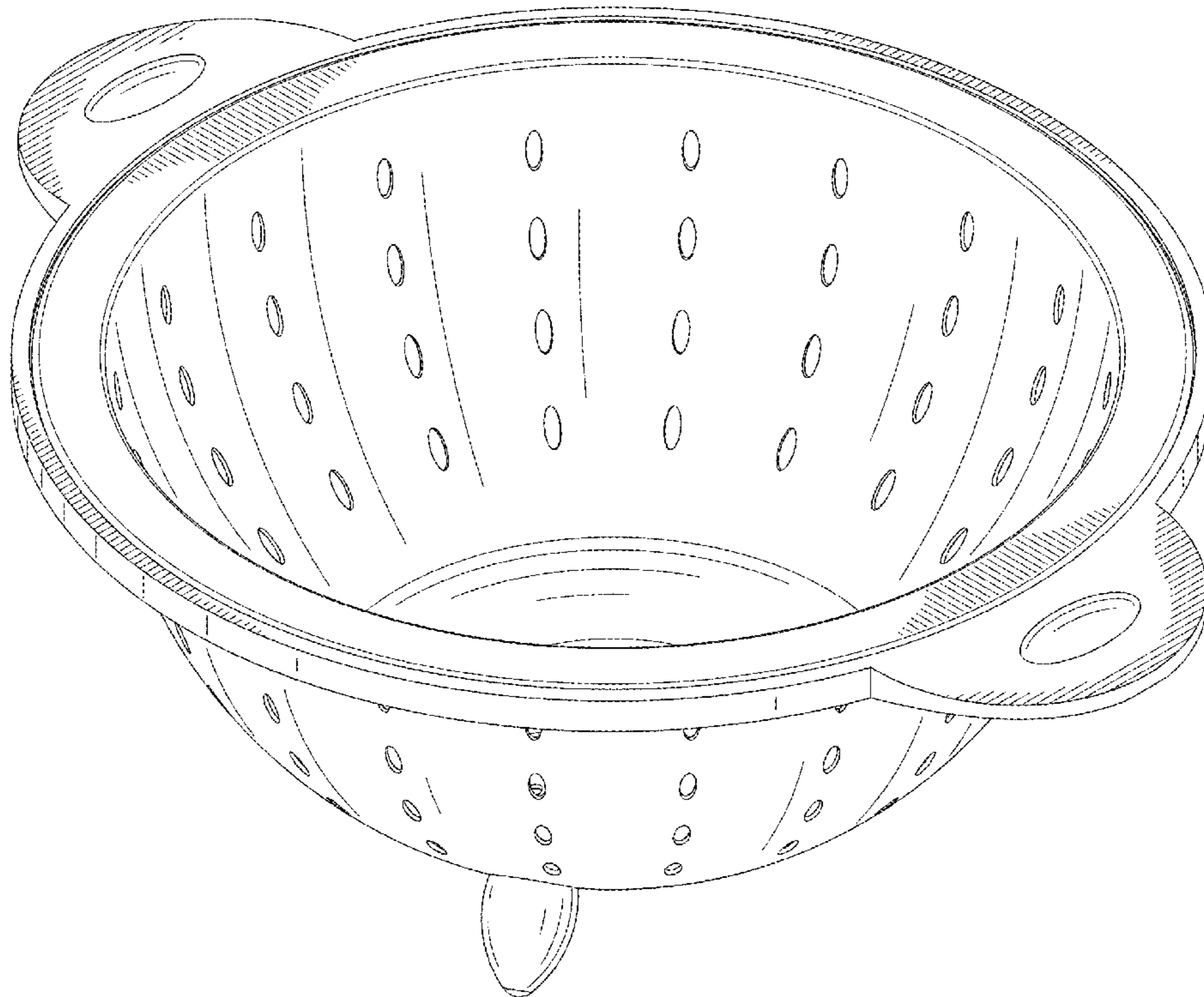
(57) **CLAIM**

The ornamental design for a colander, as shown and described.

DESCRIPTION

FIG. 1 is a perspective view of a colander in accordance with my design;
FIG. 2 is a front view of the colander shown in FIG. 1;
FIG. 3 is a back view of the colander shown in FIG. 1;
FIG. 4 is a side view of the colander shown in FIG. 1;
FIG. 5 is an opposite side view of the colander shown in FIG. 1;
FIG. 6 is a top view of the colander shown in FIG. 1; and,
FIG. 7 is a bottom view of the colander shown in FIG. 1.

1 Claim, 7 Drawing Sheets



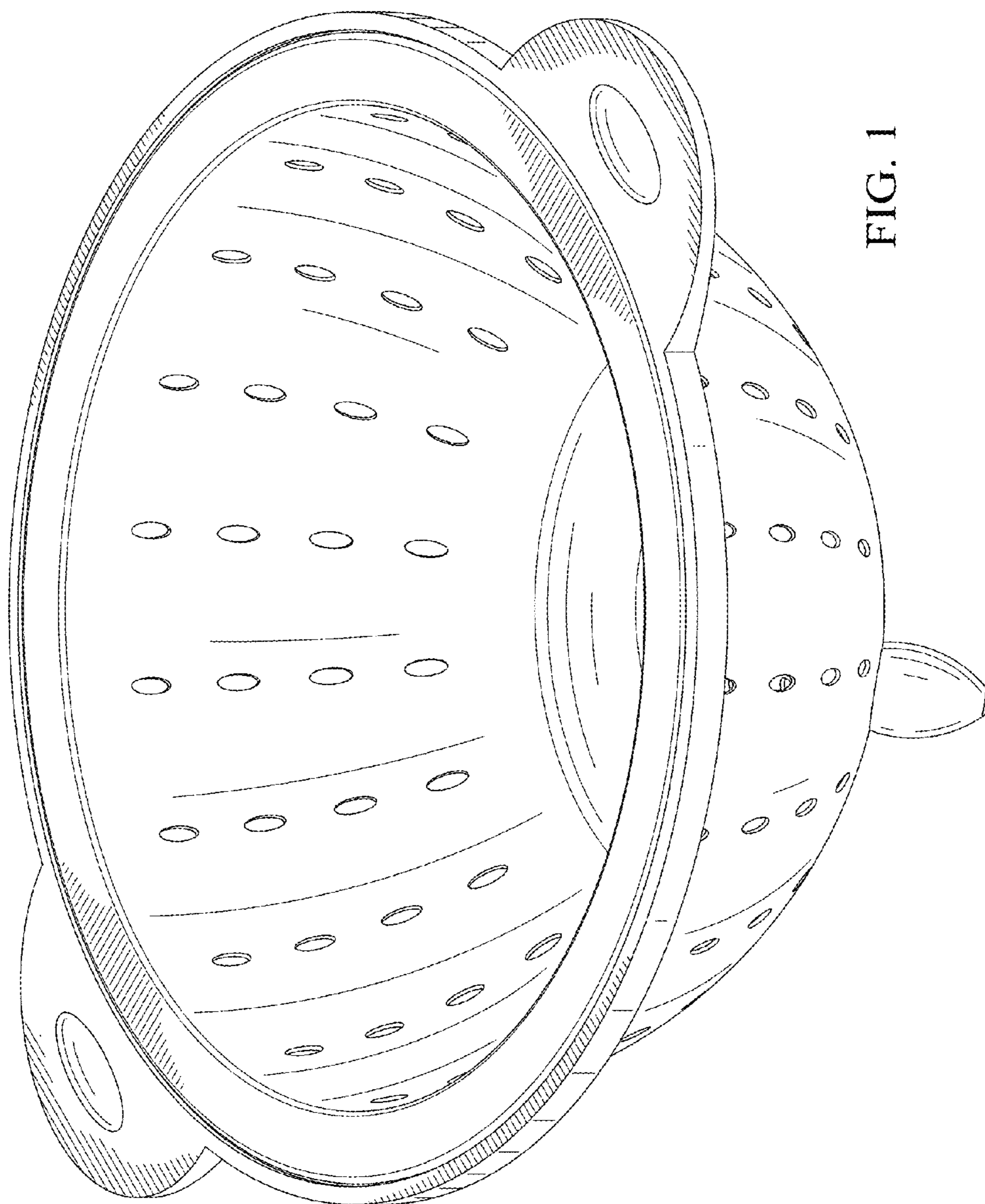


FIG. 1

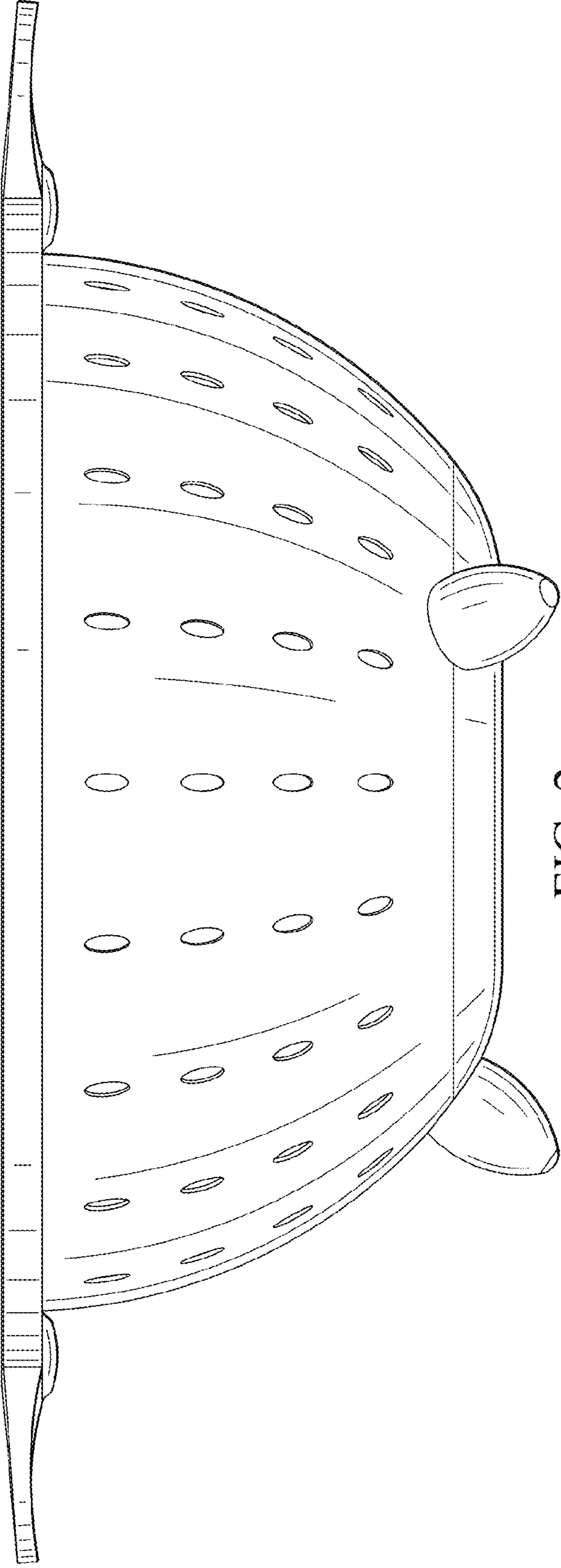


FIG. 2

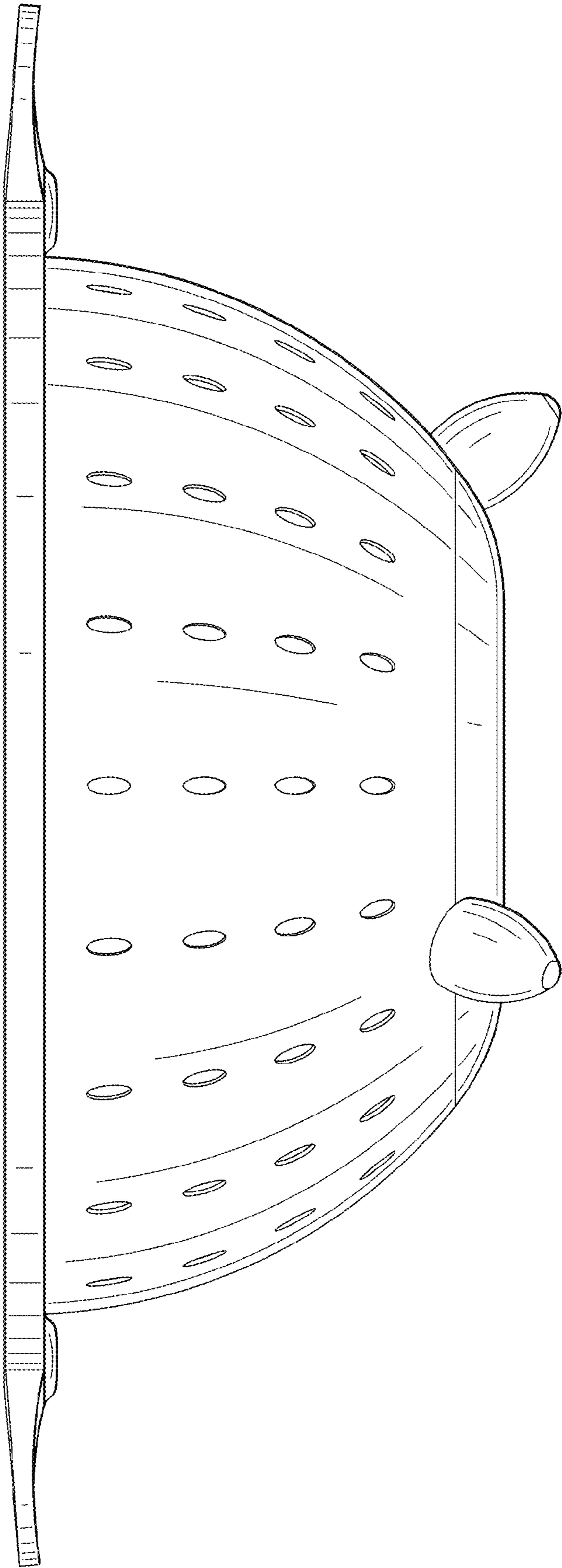


FIG. 3

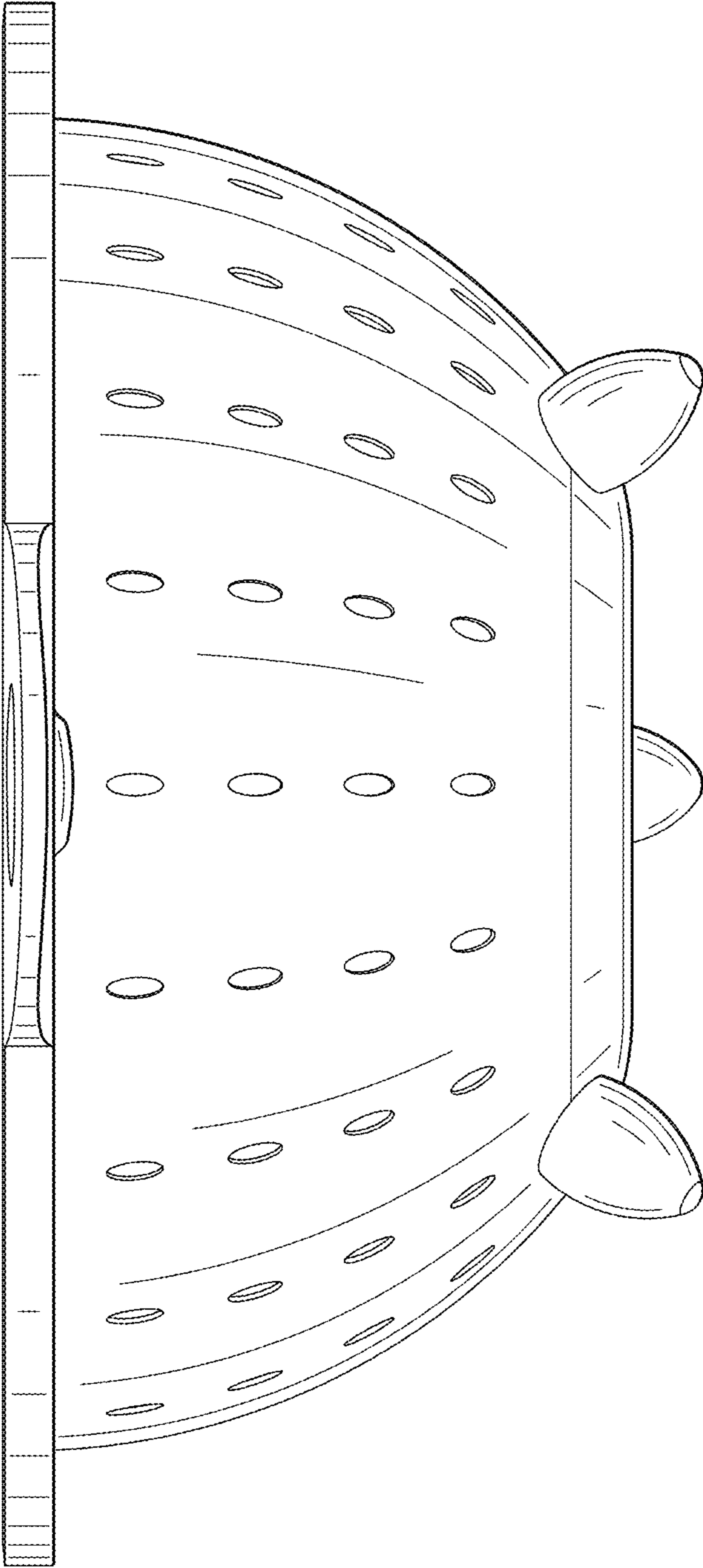


FIG. 4

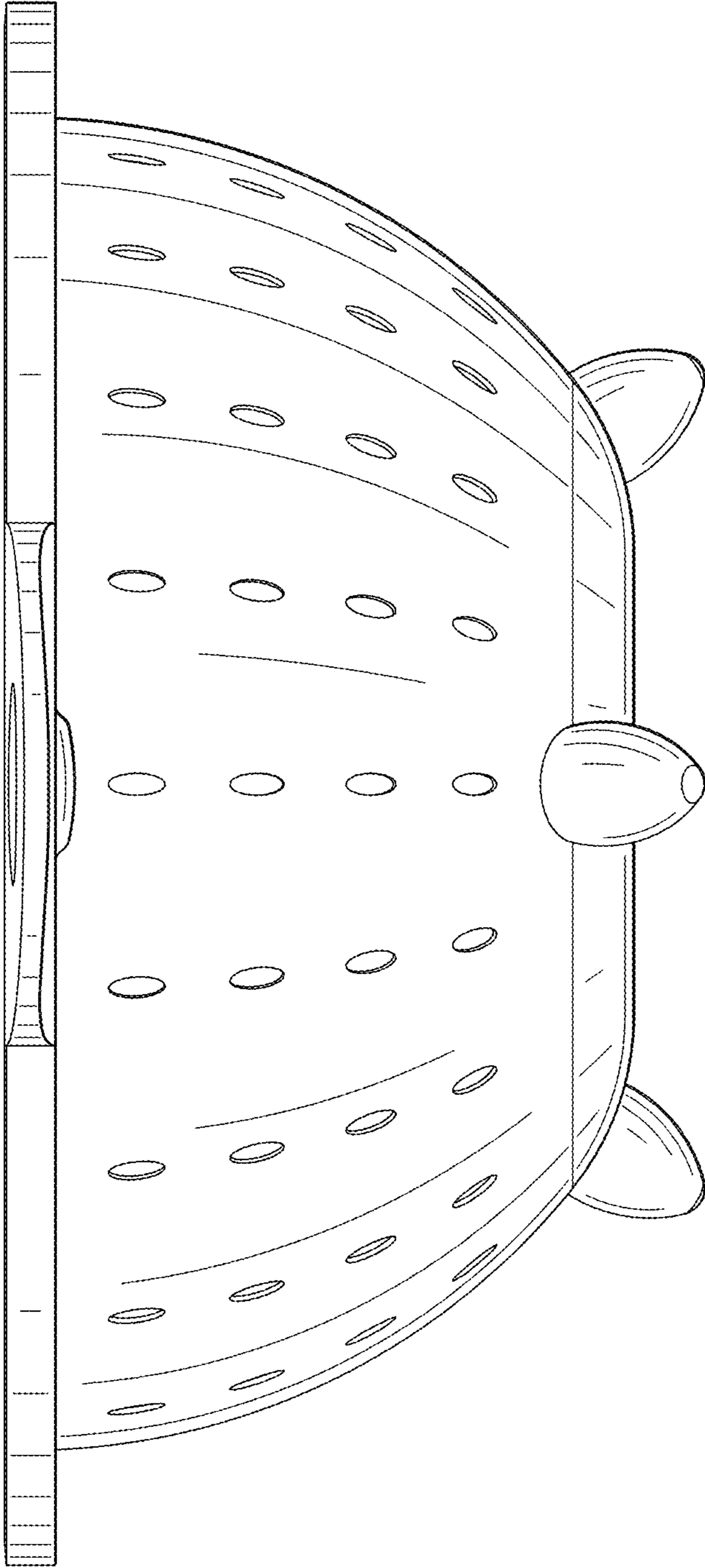


FIG. 5

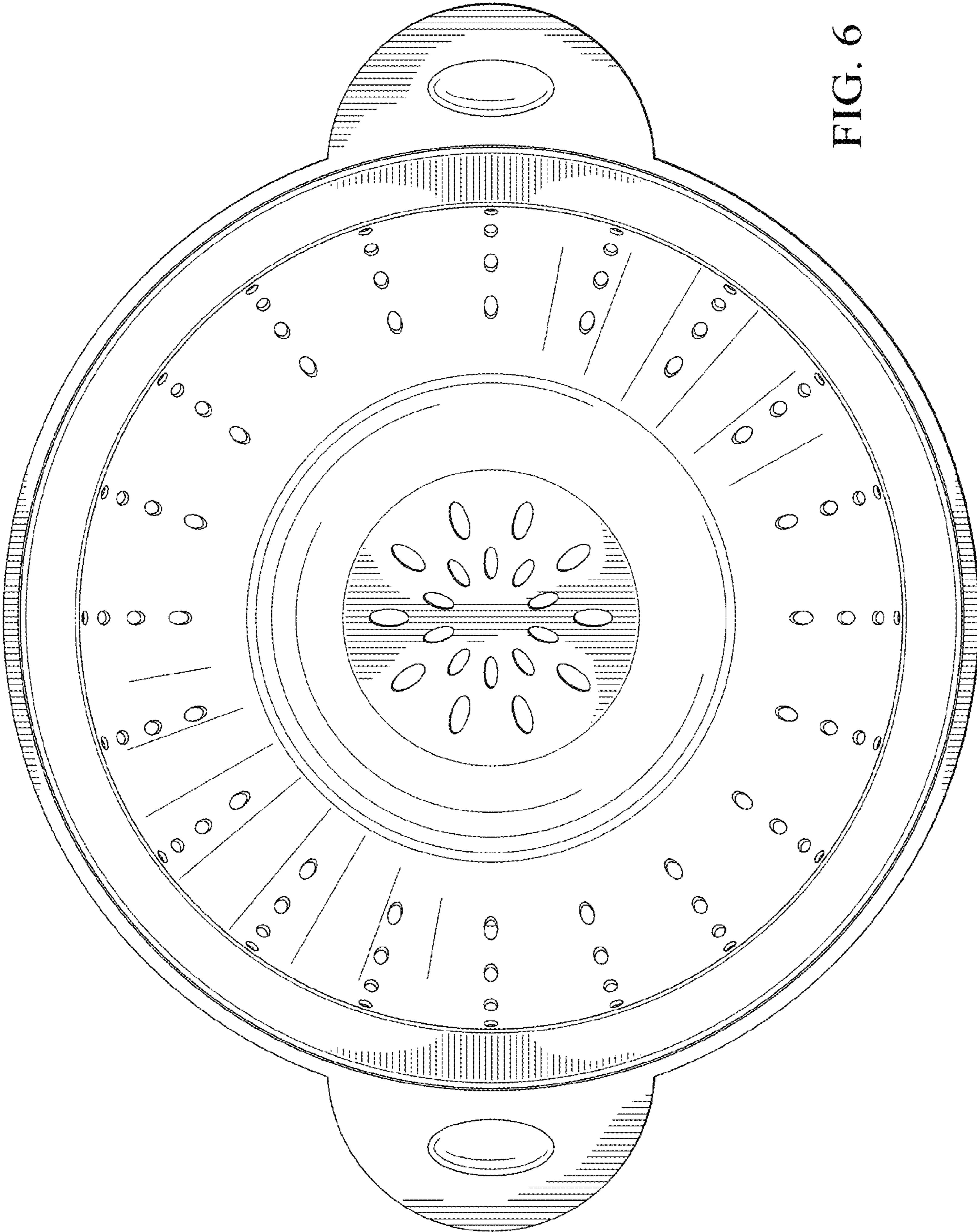


FIG. 6

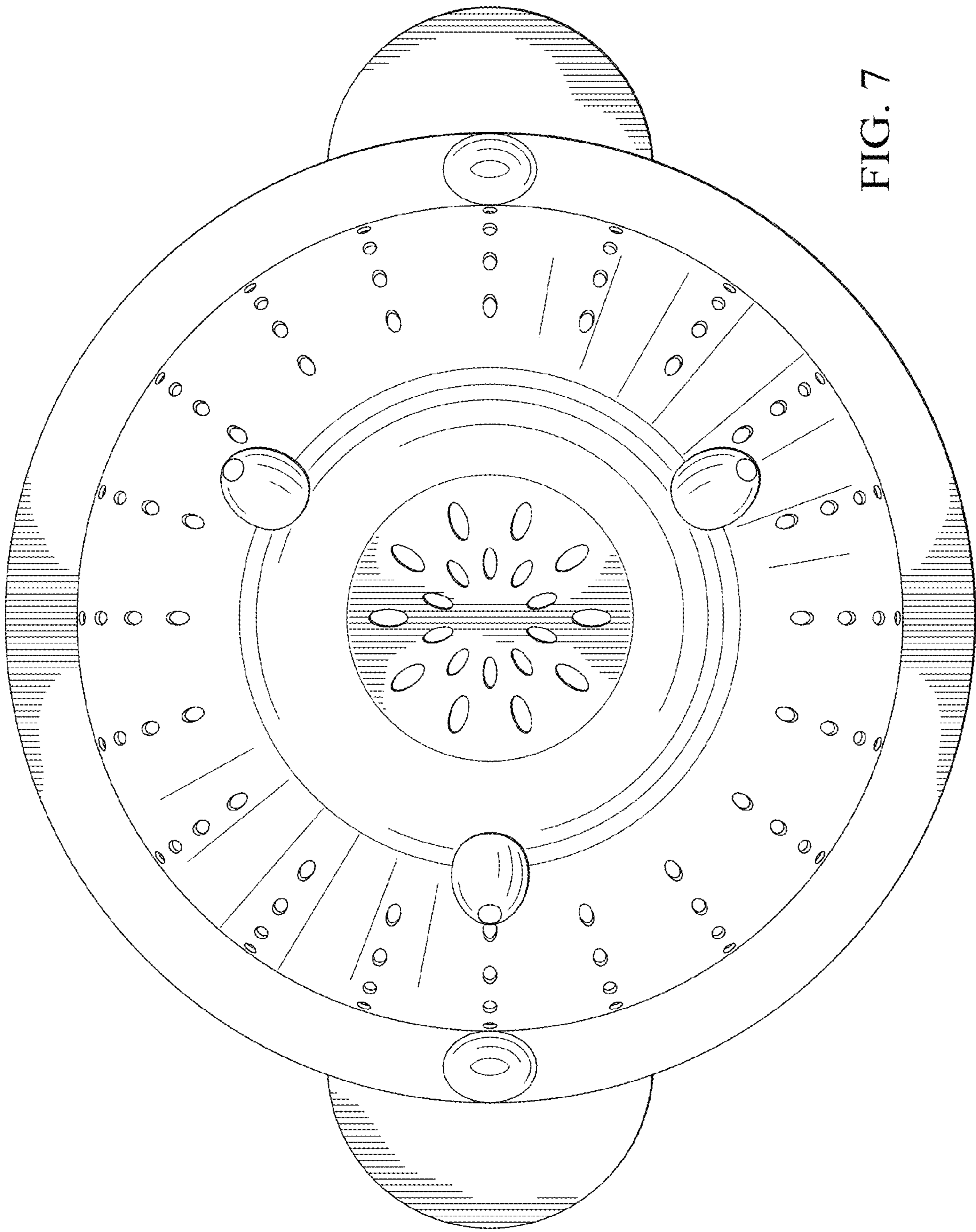


FIG. 7