



US00D734101S

(12) **United States Design Patent**
Greenspon

(10) **Patent No.:** **US D734,101 S**
(45) **Date of Patent:** **** Jul. 14, 2015**

- (54) **COFFEE POD RACK**
- (71) Applicant: **Honey-Can-Do International, LLC**,
Berkeley, IL (US)
- (72) Inventor: **Steve Greenspon**, Berkeley, IL (US)
- (73) Assignee: **Honey-Can-Do International, LLC**,
Berkeley, IL (US)
- (**) Term: **14 Years**
- (21) Appl. No.: **29/445,837**
- (22) Filed: **Feb. 18, 2013**
- (51) **LOC (10) Cl.** **07-06**
- (52) **U.S. Cl.**
USPC **D7/600.1**
- (58) **Field of Classification Search**
USPC D7/600, 600.1–600.4, 392, 397, 589,
D7/590, 596, 597, 601, 602, 609, 610, 612,
D7/614, 615, 620–623, 628–632, 637–641,
D7/701–708, 708.1, 709, 710;
D3/304–315, 317, 319, 302, 316;
D6/559, 560, 566, 567, 570, 571, 573,
D6/574, 512, 705, 705.1, 705.2, 705.3,
D6/705.4, 705.5, 705.6, 705.7, 706, 707,
D6/707.1, 707.19, 707.15, 627, 628, 629,
D6/631, 654, 654.11, 654.12, 654.13,
D6/654.14, 654.15, 654.18, 654.19, 654.2,
D6/654.22, 654.21, 655, 655.11, 655.12,
D6/655.13, 655.14, 655.15, 655.17,
D6/655.18, 655.19, 655.2, 655.22, 655.23,
D6/691.9, 692.4, 692.5, 693.1, 693.2, 677,
D6/677.1, 677.2, 677.5, 678.4, 708.2,
D6/668.1; D19/75, 77, 78, 83, 86, 92;
206/511, 557, 560, 510, 513, 503, 566,
206/563, 564; 211/1, 10, 13.1, 69.1, 69.5,
211/70, 70.1, 70.6, 74, 77, 78, 85.1, 85.2,
211/85.4, 85.5, 85.31, 126.9, 126.11,
211/126.15, 129.1, 131.1, 133.2, 133.4,
211/134, 133.5, 133.6, 181.1, 182;
312/323, 330.1, 334.1, 334.27, 408,
312/410, 334.44, 325, 326, 327, 332.1,
312/333; 220/485, 493, 491

CPC A45D 33/22; B65D 2203/00; B65D 7/20;
B65D 83/00; B65D 21/00; B65D 85/305;
B65D 85/30; A47G 7/02; A47B 88/00;
A47B 88/0003; A47B 88/0007; A47B
88/0014; A47B 88/20; A47B 88/202; A47B
88/04; A47B 88/0466; A47B 88/0418; A47B
81/007; A47B 2088/0444; A47J 31/3642;
A47J 47/16; A47J 47/00; A47J 31/44; A47J
31/36

See application file for complete search history.

(56) **References Cited**

U.S. PATENT DOCUMENTS

D628,444 S 12/2010 Snider
D628,445 S 12/2010 Snider

(Continued)

Primary Examiner — Ian Simmons

Assistant Examiner — Shannon Morgan

(74) *Attorney, Agent, or Firm* — Adam K. Sacharoff; Much
Shelist

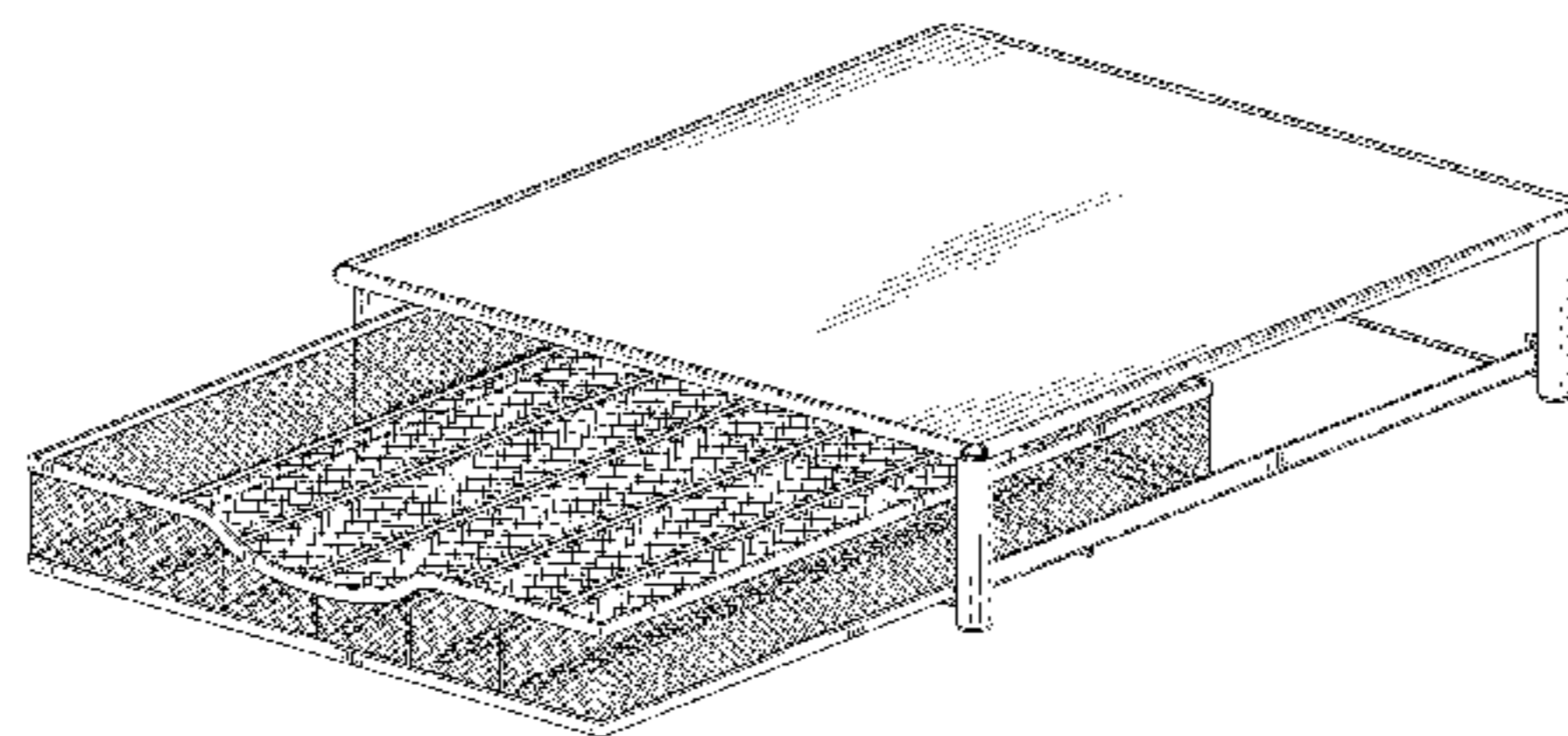
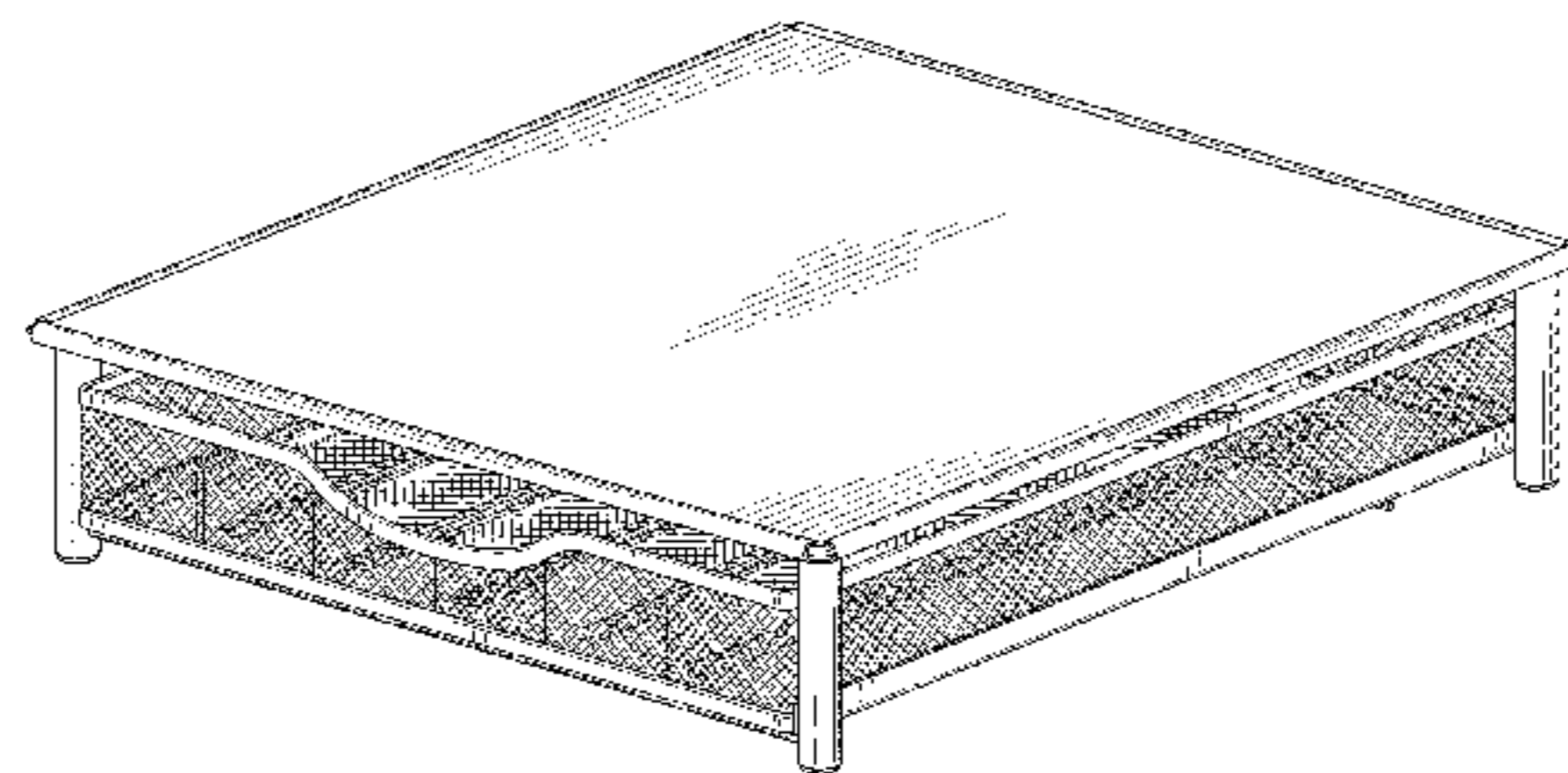
(57) **CLAIM**

The ornamental design for a coffee pod rack, as shown and
described.

DESCRIPTION

FIG. 1 is a front, right perspective view showing my new
design of a coffee pod rack;
FIG. 2 is a front side elevational view thereof;
FIG. 3 is a rear side elevational view thereof;
FIG. 4 is a right side elevational view thereof;
FIG. 5 is a left side elevational view thereof;
FIG. 6 is a top plan view thereof;
FIG. 7 is a bottom plan view thereof;
FIG. 8 is a front, right perspective view of the coffee pod rack
in FIG. 1 shown in an open position;
FIG. 9 is a front side elevational view thereof;
FIG. 10 is a rear side elevational view thereof;
FIG. 11 is a right side elevational view thereof;
FIG. 12 is a left side elevational view thereof;
FIG. 13 is a top plan view thereof; and,
FIG. 14 is a bottom plan view thereof.

1 Claim, 10 Drawing Sheets



(56)

References Cited

U.S. PATENT DOCUMENTS

8,006,858 B2 * 8/2011 Cheng et al. 220/485
 D644,491 S 9/2011 Snider
 D659,481 S * 5/2012 Tiemann D7/600.1
 D659,482 S 5/2012 Snider
 D660,088 S * 5/2012 Tiemann D7/600.1
 D661,951 S * 6/2012 Tiemann D7/600.1
 D665,230 S 8/2012 Snider
 D674,213 S * 1/2013 Hertaus D6/663
 D676,715 S * 2/2013 Tsai D7/600.1
 D679,954 S * 4/2013 Snider D7/600.1
 D680,380 S * 4/2013 Tiemann D7/600.1
 D681,398 S * 5/2013 Tsai D7/600.1
 D682,039 S * 5/2013 Tiemann D7/600.4
 D684,404 S * 6/2013 Hertaus D6/705
 D686,464 S * 7/2013 Tiemann D7/600.1

D693,606 S * 11/2013 Hertaus D6/671.1
 D701,090 S * 3/2014 Sabounjian D7/600.1
 D701,431 S * 3/2014 Tsai D7/600.1
 D701,733 S * 4/2014 Tiemann D7/600.1
 D703,005 S * 4/2014 Tiemann D7/600.1
 D708,906 S * 7/2014 Tiemann D7/600.1
 D708,907 S * 7/2014 Tiemann D7/600.1
 D708,908 S * 7/2014 Tiemann D7/600.1
 D708,909 S * 7/2014 Tiemann D7/600.1
 D713,691 S * 9/2014 Sabounjian D7/600.1
 D713,692 S * 9/2014 Tsai D7/600.1
 D718,578 S * 12/2014 Sabounjian D7/600.1
 D722,831 S * 2/2015 Tuang et al. D7/600.1
 2014/0048538 A1 * 2/2014 Sabounjian 220/486
 2014/0069913 A1 * 3/2014 Tsai 220/4.01
 2014/0091695 A1 * 4/2014 Sabounjian 312/348.3
 2014/0097120 A1 * 4/2014 Sabounjian 206/565
 2014/0265787 A1 * 9/2014 Sabounjian 312/334.1

* cited by examiner

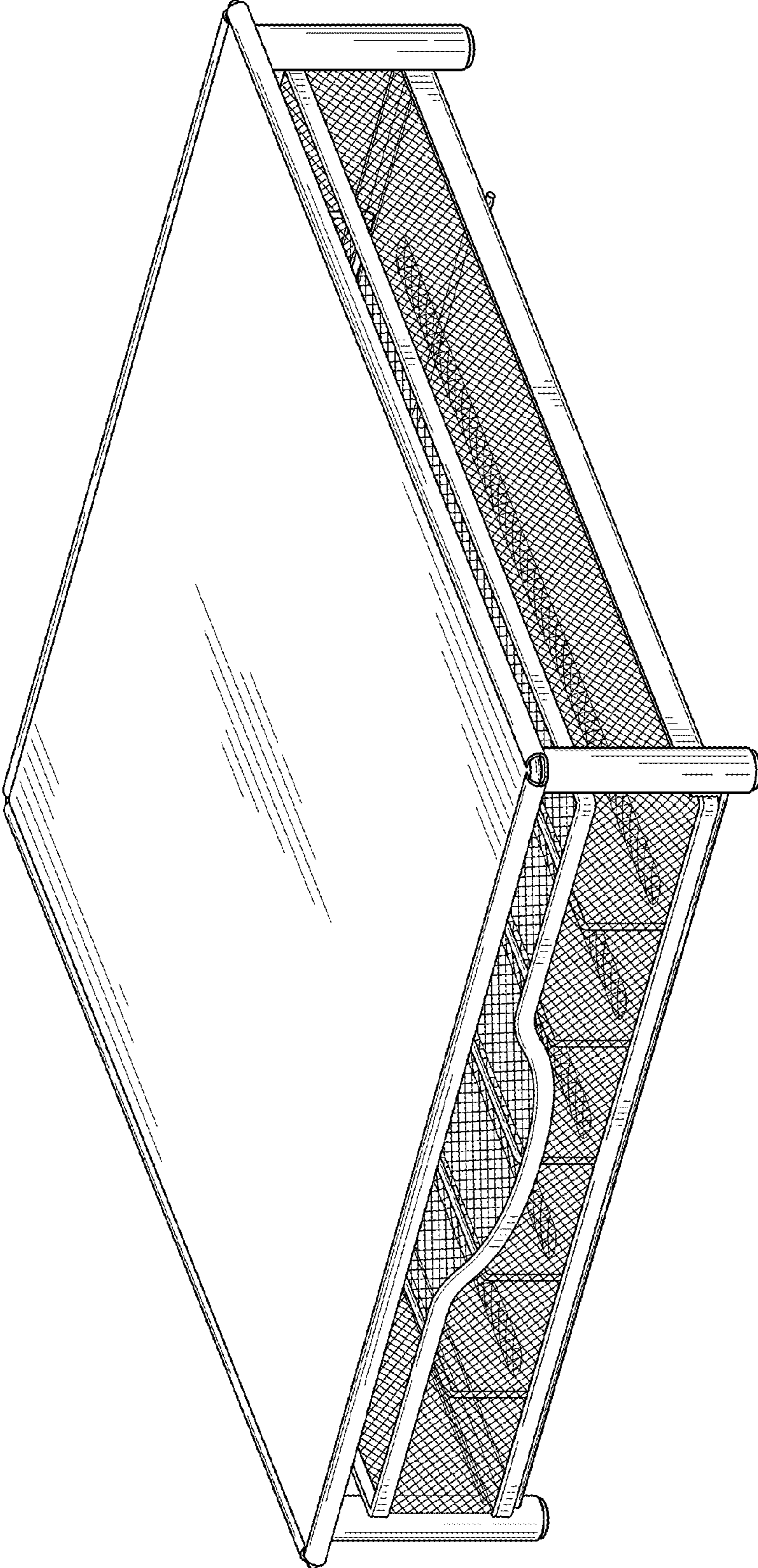


FIG. 1

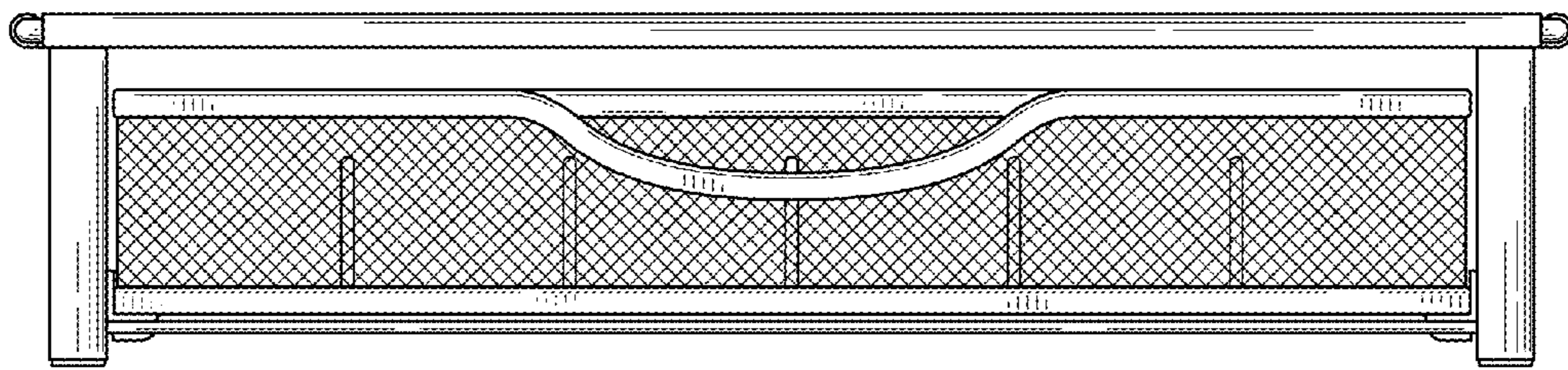


FIG. 2

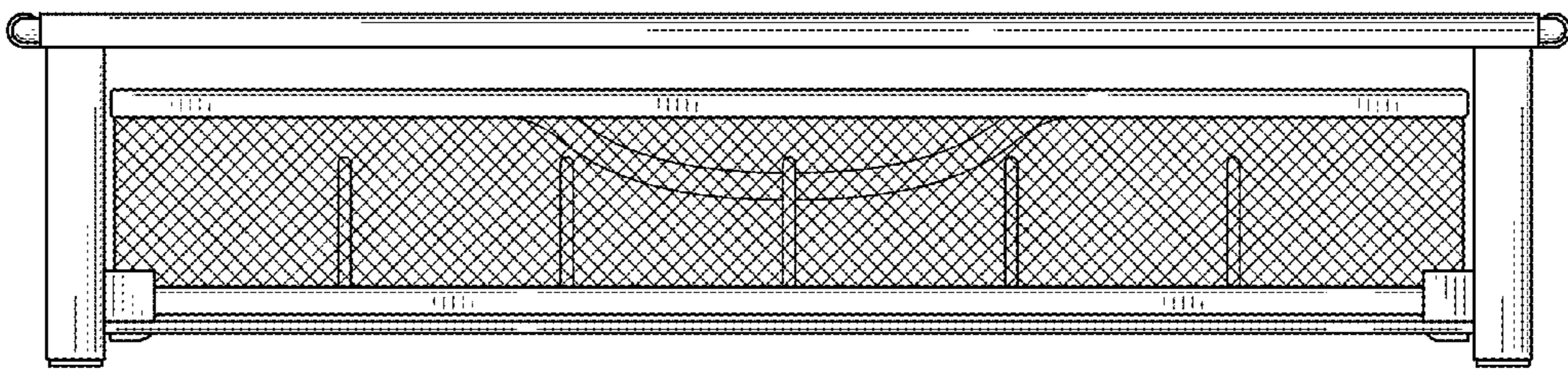


FIG. 3

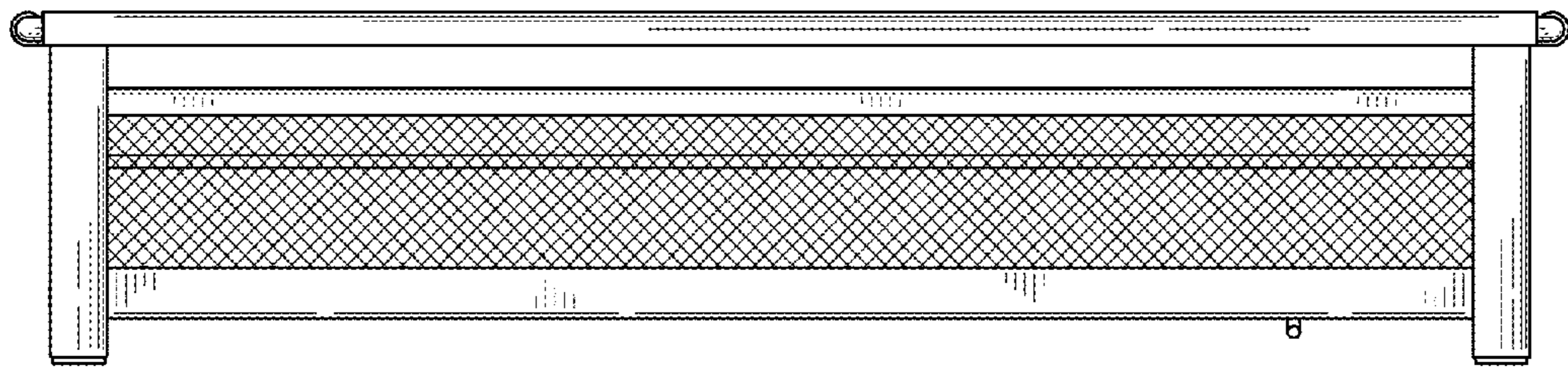


FIG. 4

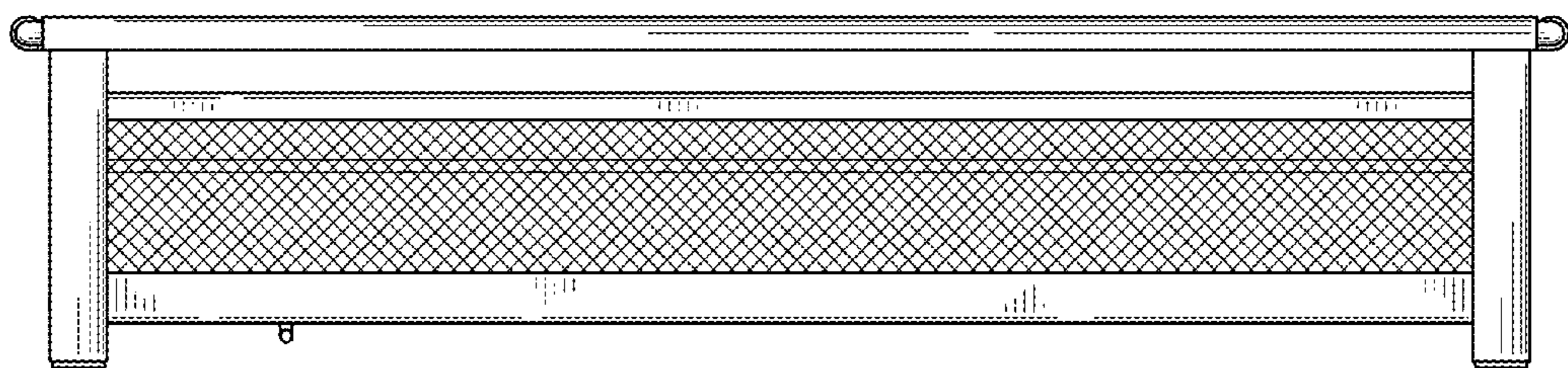


FIG. 5

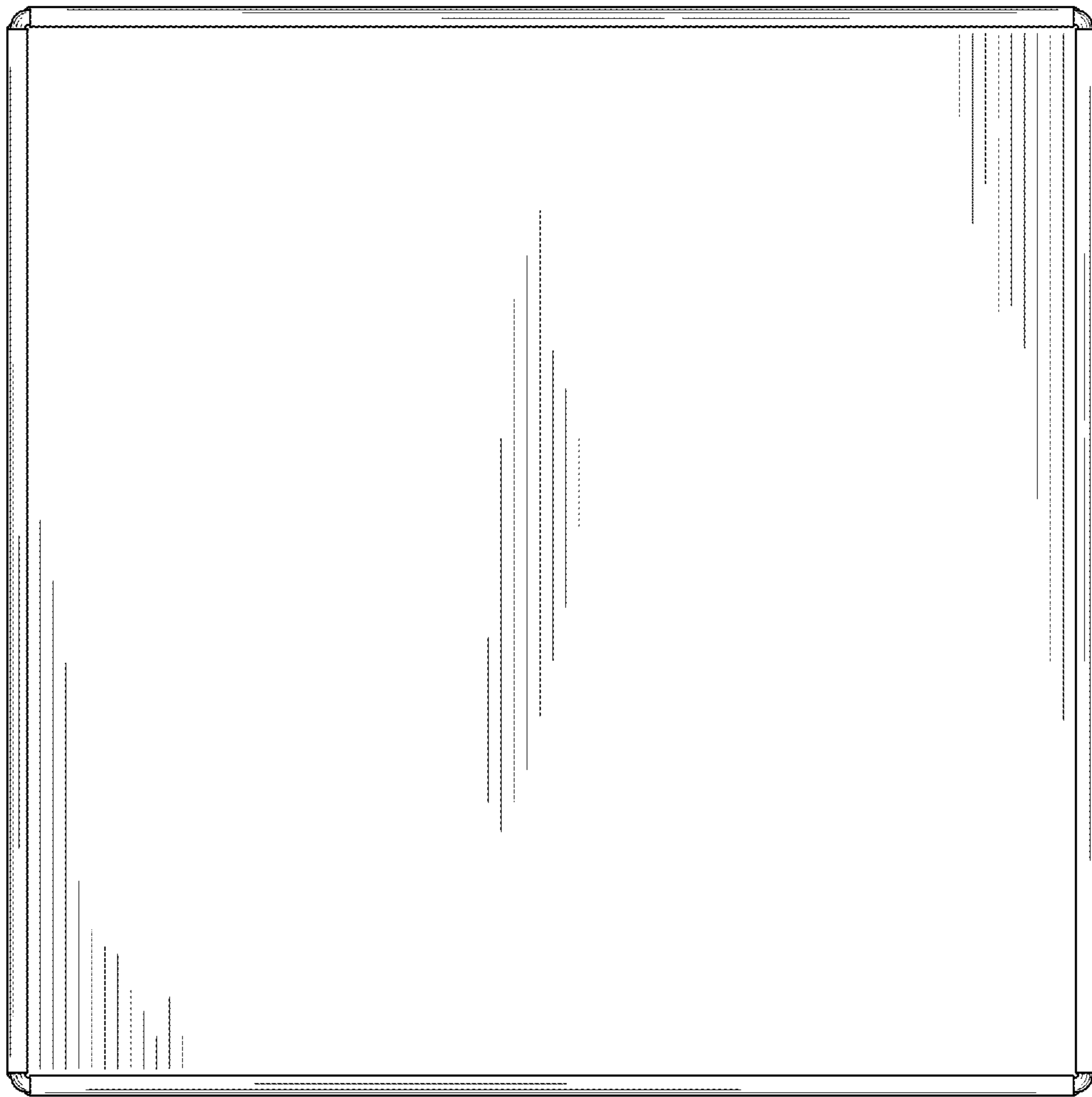


FIG. 6

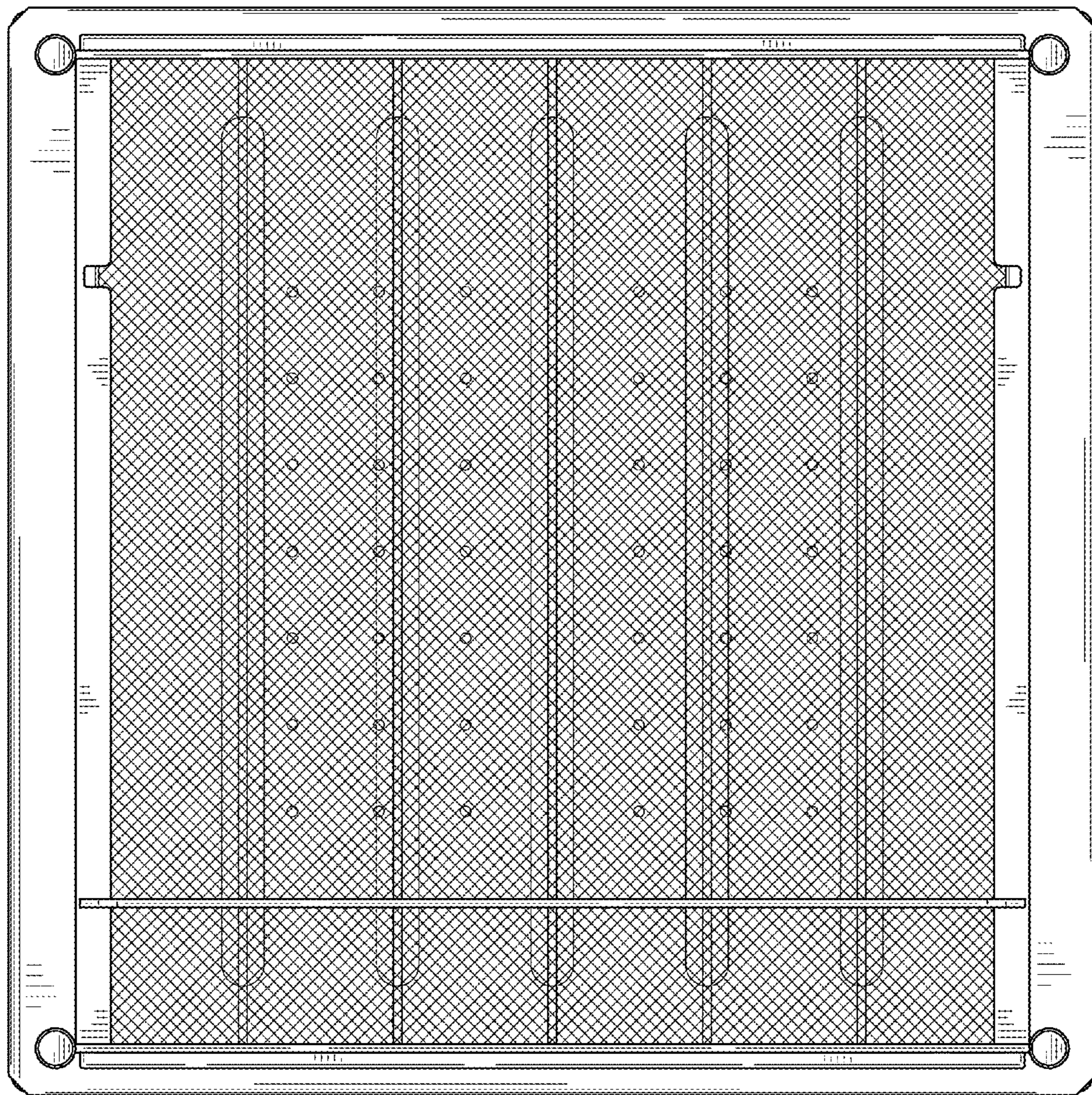


FIG. 7

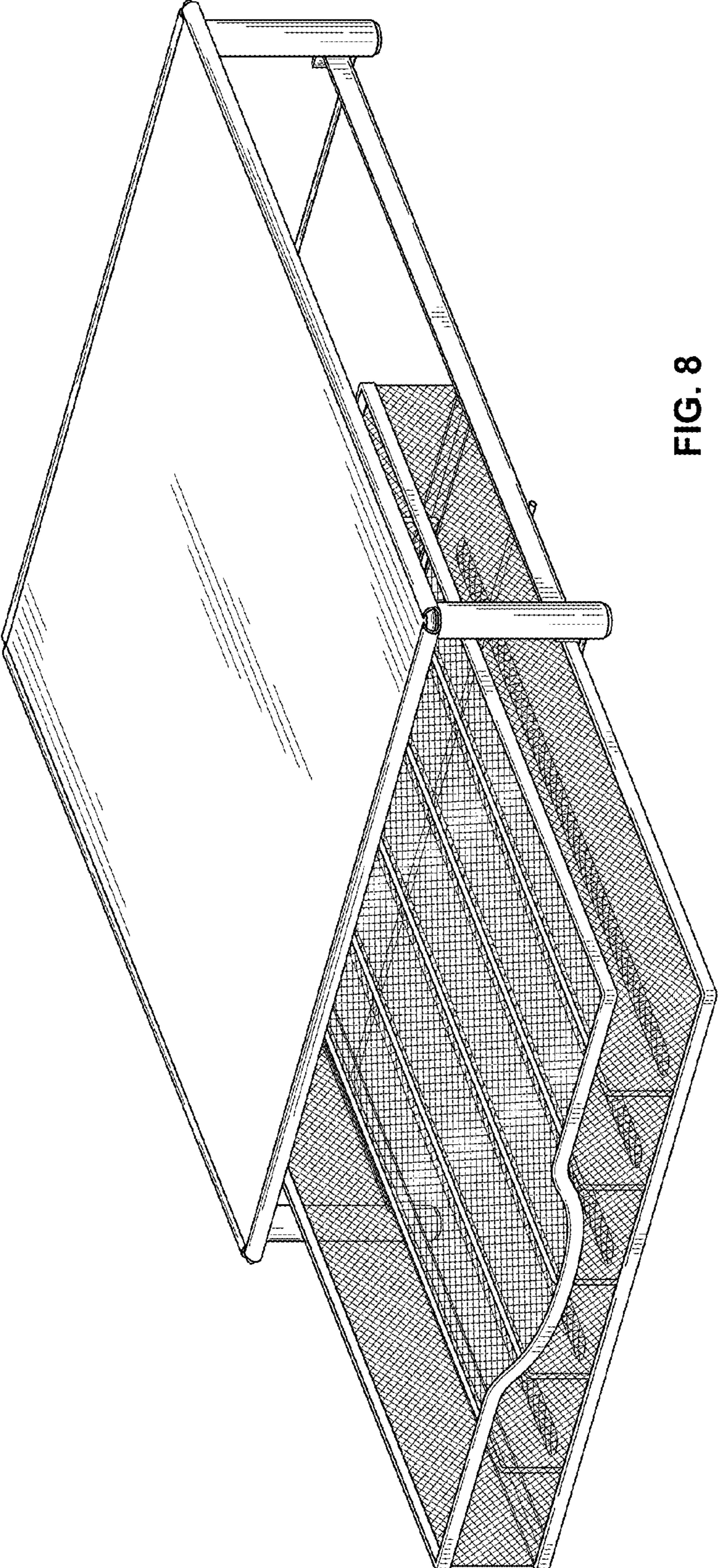


FIG. 8

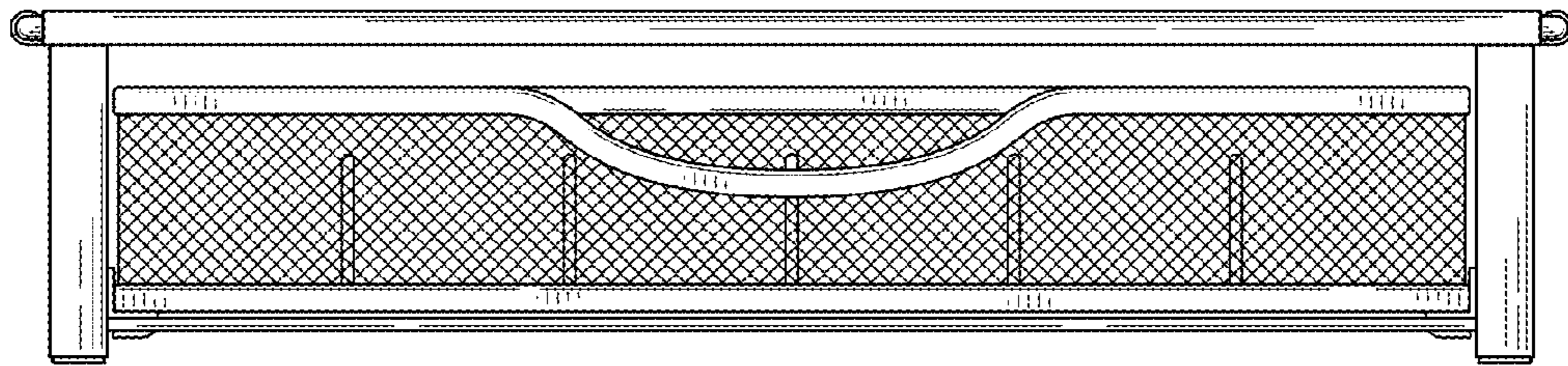


FIG. 9

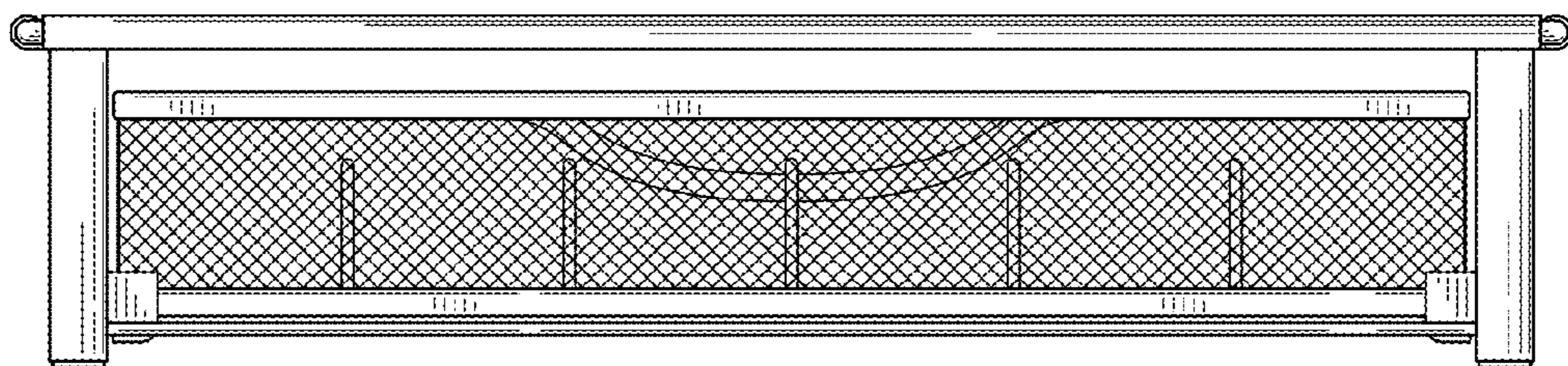


FIG. 10

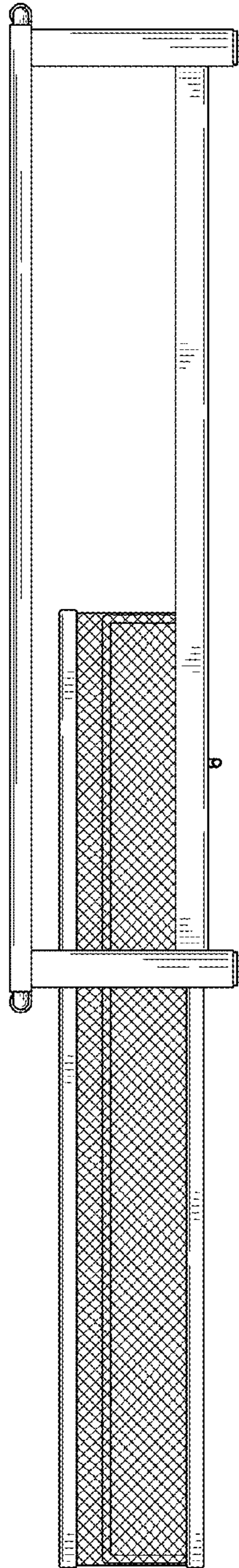


FIG. 11

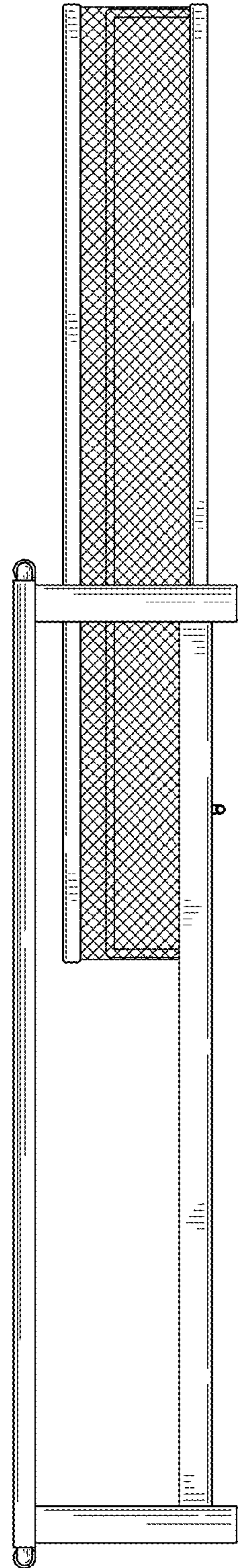


FIG. 12

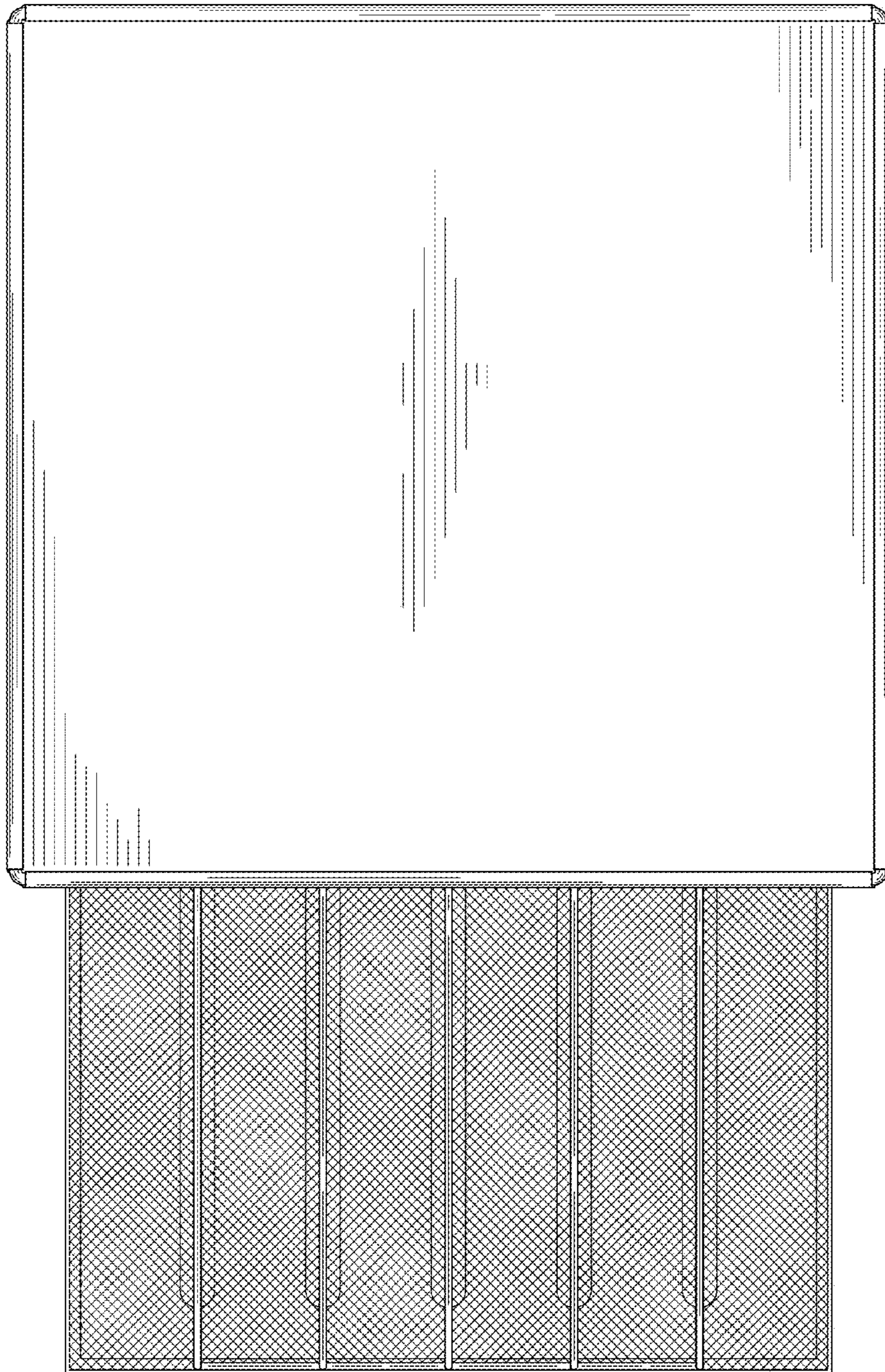


FIG. 13

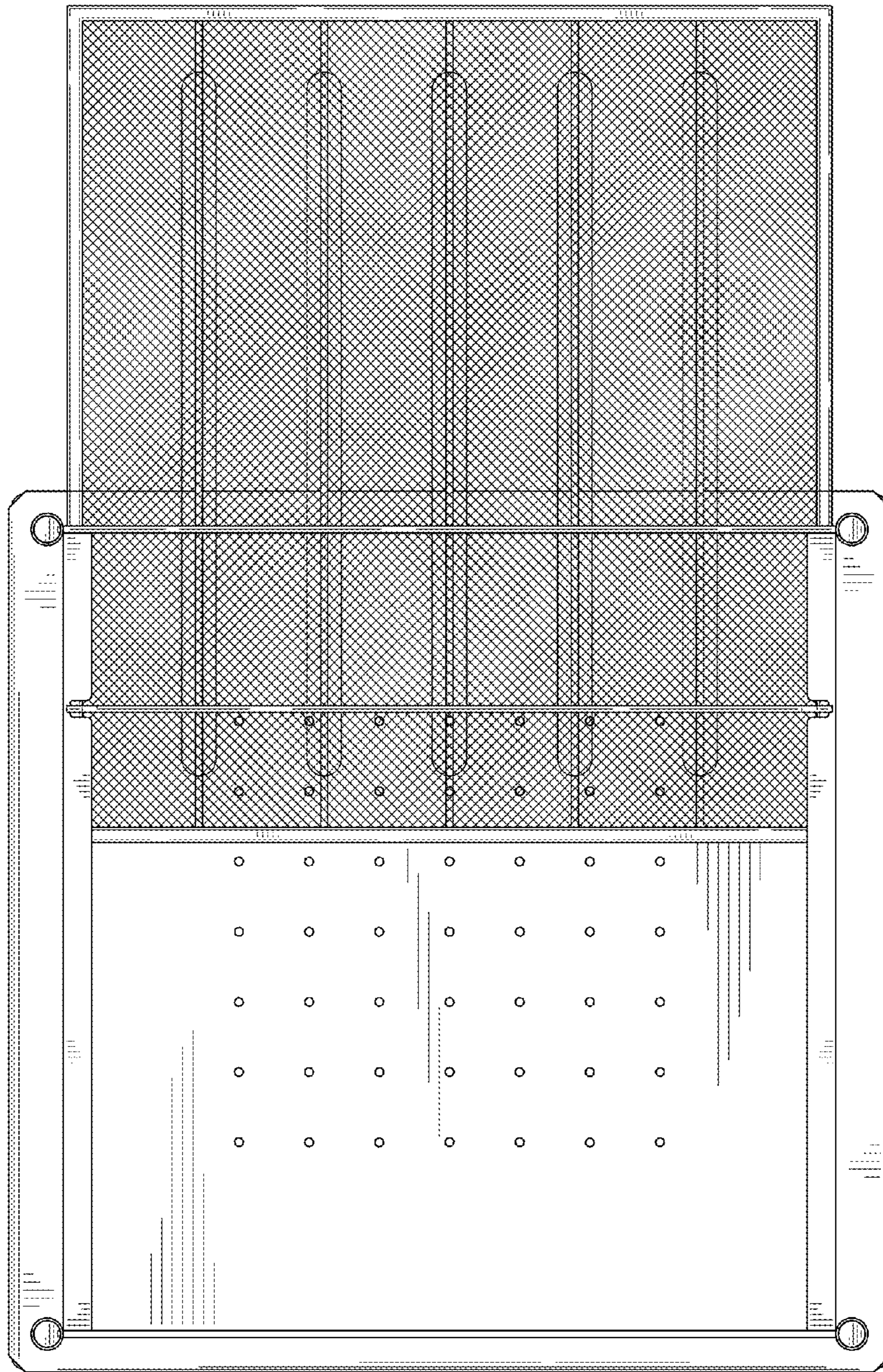


FIG. 14