



US00D734100S

(12) **United States Design Patent**
Miller

(10) **Patent No.:** **US D734,100 S**
(45) **Date of Patent:** **** Jul. 14, 2015**

- (54) **SERVER WITH PEDESTAL**
- (71) Applicant: **TARGET BRANDS, INC.**,
Minneapolis, MN (US)
- (72) Inventor: **Amanda Miller**, Minneapolis, MN (US)
- (73) Assignee: **Target Brands, Inc.**, Minneapolis, MN
(US)
- (**) Term: **14 Years**
- (21) Appl. No.: **29/489,157**
- (22) Filed: **Apr. 28, 2014**
- (51) **LOC (10) Cl.** **07-01**
- (52) **U.S. Cl.**
USPC **D7/558**; D7/610; D7/501
- (58) **Field of Classification Search**
USPC D7/300.1, 510, 511, 524, 537, 514, 515,
D7/517, 523, 509, 554.3, 505, 584, 500,
D7/507, 558, 501, 560, 610, 354, 355,
D7/542; 215/388; 220/703, 705, 713, 711,
220/574, 575, 23.2; D9/629; D6/692.1,
D6/692.3
CPC ... A47G 19/22; A47G 19/2222; A47G 19/00;
B65D 21/02
See application file for complete search history.

- D281,049 S * 10/1985 Rau D7/558
- D288,767 S * 3/1987 Minuti D7/542
- D347,142 S * 5/1994 Falvo D7/391

(Continued)

OTHER PUBLICATIONS

Office Action from Canadian Patent Application No. 156,915, mailed Dec. 9, 2014 (3 pages).
“Arthur Court Designs Grape 13 Footed Cake Plate”, printed from www.bonanza.com/listings/Arthur-Court-Designs-Grape-13-F... 41917244341&gpkwd=&goog_pla=1&gclid=CJzKPOYy7cCFQmf4AodWRsA2g, publicly available at least as early as Jun. 4, 2014 (2 pages).

(Continued)

Primary Examiner — Marianne Pandozzi

(74) *Attorney, Agent, or Firm* — JoAnn M. Seaton; Griffiths & Seaton PLLC

(57) **CLAIM**

The ornamental design for a server with pedestal, as shown and described.

DESCRIPTION

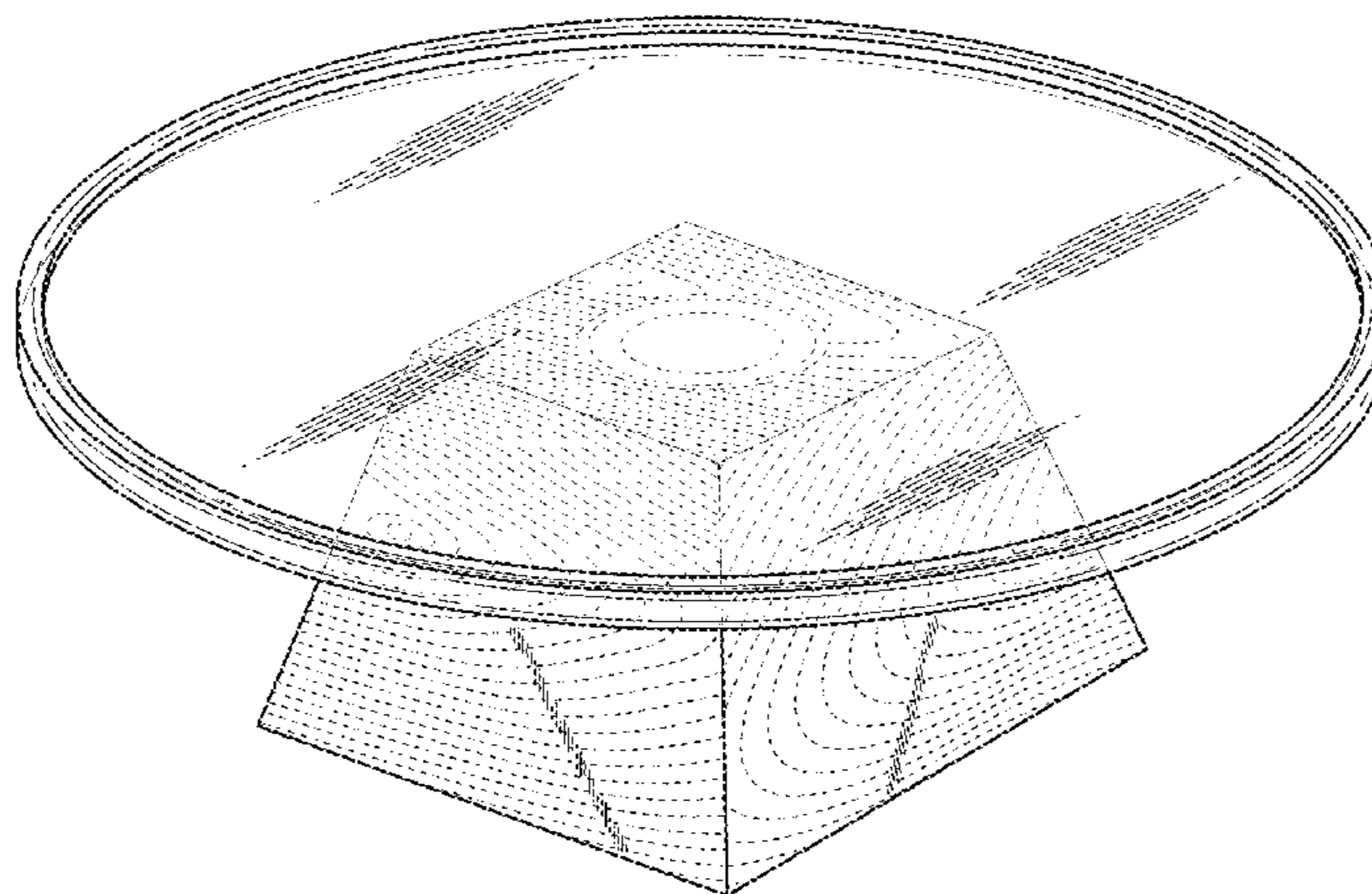
FIG. 1 is a front, perspective view of a server with pedestal showing our new design;
FIG. 2 is a front view thereof, the rear view being a mirror image of the front view;
FIG. 3 is a right side view thereof, the left side view being a mirror image of the right side view;
FIG. 4 is a top view thereof; and
FIG. 5 is a bottom view thereof.
FIG. 6 is a front, perspective view of the server with pedestal showing our new design with additional environmental subject matter;
FIG. 7 is a front view thereof, the rear view being a mirror image of the front view;
FIG. 8 is a right side view thereof, the left side view being a mirror image of the right side view;
FIG. 9 is a top view thereof; and,
FIG. 10 is a bottom view thereof.
The broken lines in the drawings are included for the purpose of illustration and form no part of the claimed design.

(56) **References Cited**

U.S. PATENT DOCUMENTS

- 145,145 A 12/1873 Baggs
- D38,140 S * 7/1906 Paurwicz D7/558
- 1,055,740 A 3/1913 Hafner
- D45,601 S * 4/1914 Mohrhenn D7/354
- D80,971 S * 4/1930 Sakier D7/558
- D102,967 S * 1/1937 Daum D7/501
- D104,442 S * 5/1937 Connor D7/610
- D121,588 S * 7/1940 Fuerst D7/558
- D145,145 S * 7/1946 Baggs D12/333
- D169,314 S * 4/1953 Heisey D7/558
- 2,932,293 A * 4/1960 Rassieur 126/369
- D199,461 S * 10/1964 Dailey D9/716
- 3,565,281 A 2/1971 Collie
- 3,912,249 A * 10/1975 Vaca 269/54.5

1 Claim, 9 Drawing Sheets



(56)

References Cited

U.S. PATENT DOCUMENTS

D378,724	S	*	4/1997	Young et al.	D7/505
5,736,659	A	*	4/1998	Kyle, Jr.	84/95.2
D431,132	S	*	9/2000	Lewis	D6/692.3
D441,258	S	*	5/2001	Spiegelman	D7/558
D507,933	S		8/2005	Carmichael		
D556,516	S	*	12/2007	Dien	D7/558
D569,172	S	*	5/2008	Bledsoe	D7/391
D578,414	S	*	10/2008	Owen	D10/46.2
D584,543	S	*	1/2009	Taherirastgar	D6/708.17
D590,659	S	*	4/2009	Lloyd et al.	D7/509
D636,637	S	*	4/2011	Lupkes et al.	D7/558
D671,368	S		11/2012	Stewart et al.		
D701,731	S	*	4/2014	McClellan	D7/524
2004/0211406	A1	*	10/2004	Cornfield	126/274

OTHER PUBLICATIONS

“Beehive Cake Stand”, printed from www.westelm.com/products/bee-hive-cake-stand-e687/, publicly available at least as early as Mar. 12, 2013, per <http://web.archive.org> (2 pages).
 “Cake Stand Makeover”, printed from www.thediyplaybook.com/2013/03/cake-stand-makeover.html, Mar. 28, 2013 (6 pages).
 “Fondant Marble Cake Stand”, printed from www.anthropologie.com/anthro/catalog/productdetail.jsp?nav...-__-Pla-__-PLAs-__-PLAs&utm_medium=ppc&device=c&network=g&matchtype=, publicly available at least as early as Jun. 4, 2013 (2 pages).
 “Cake Stands Are White With A Clear 1 3/8" Diameter x 7/8" h Acrylic Dome”, printed from www.displays2go.com/Product.aspx?ID=18225, publicly available at least as early as Jan. 27, 2013, per <http://web.archive.org> (2 pages).

* cited by examiner

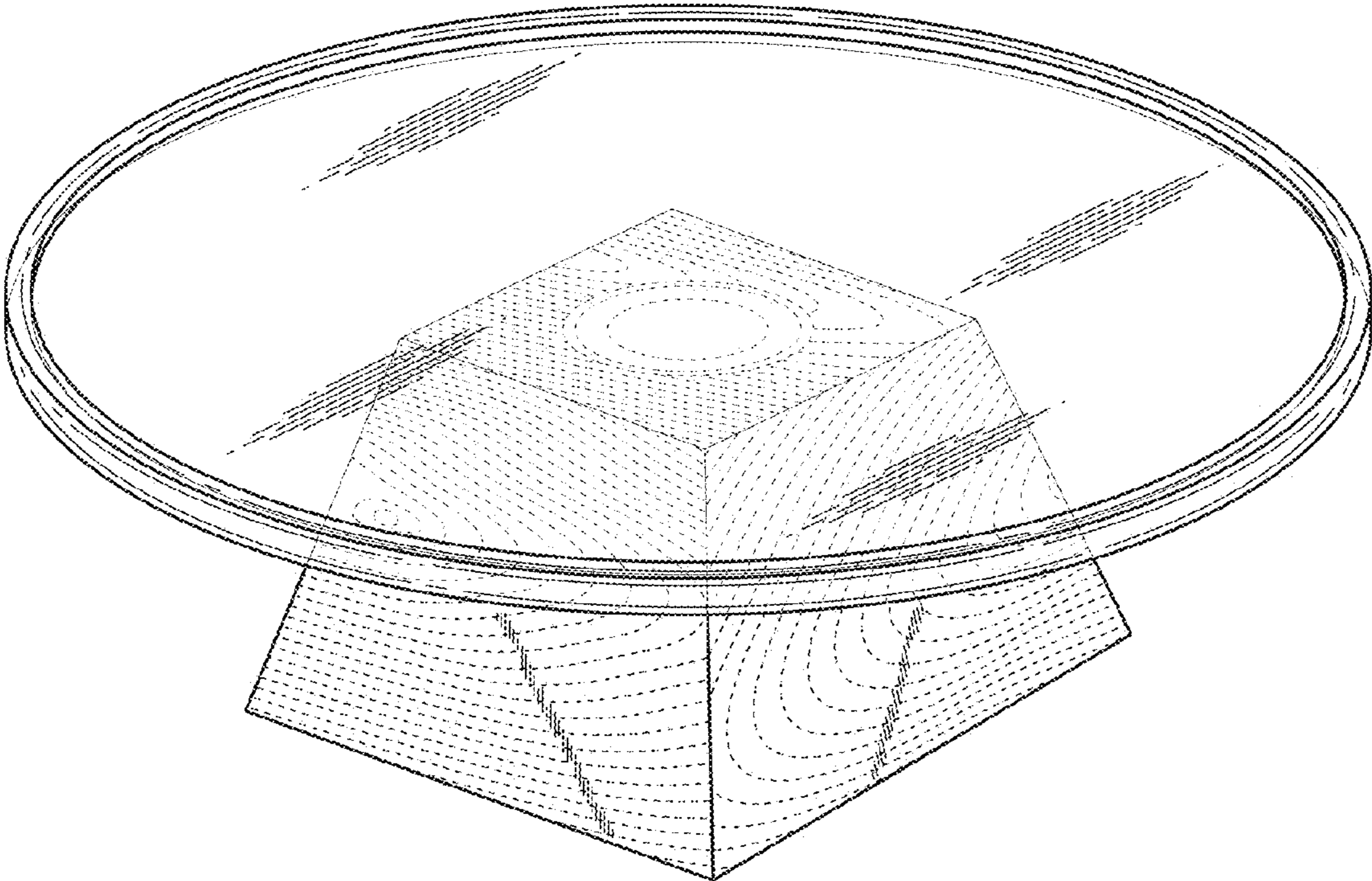


FIG. 1

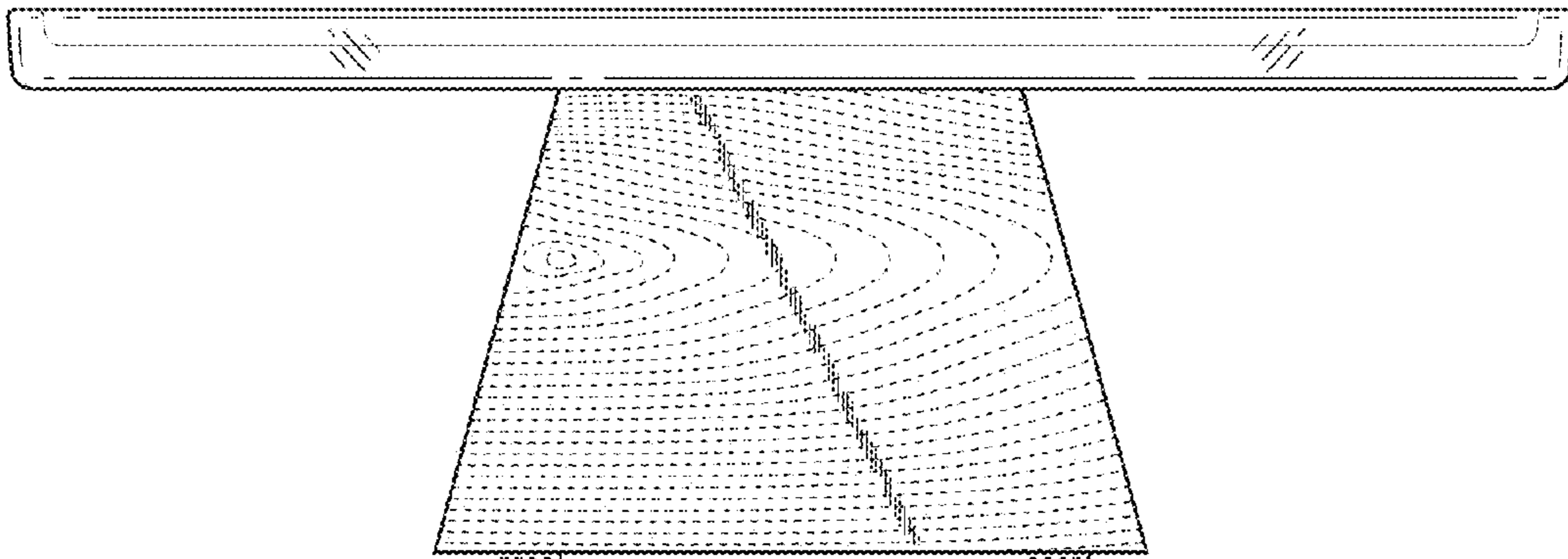


FIG. 2

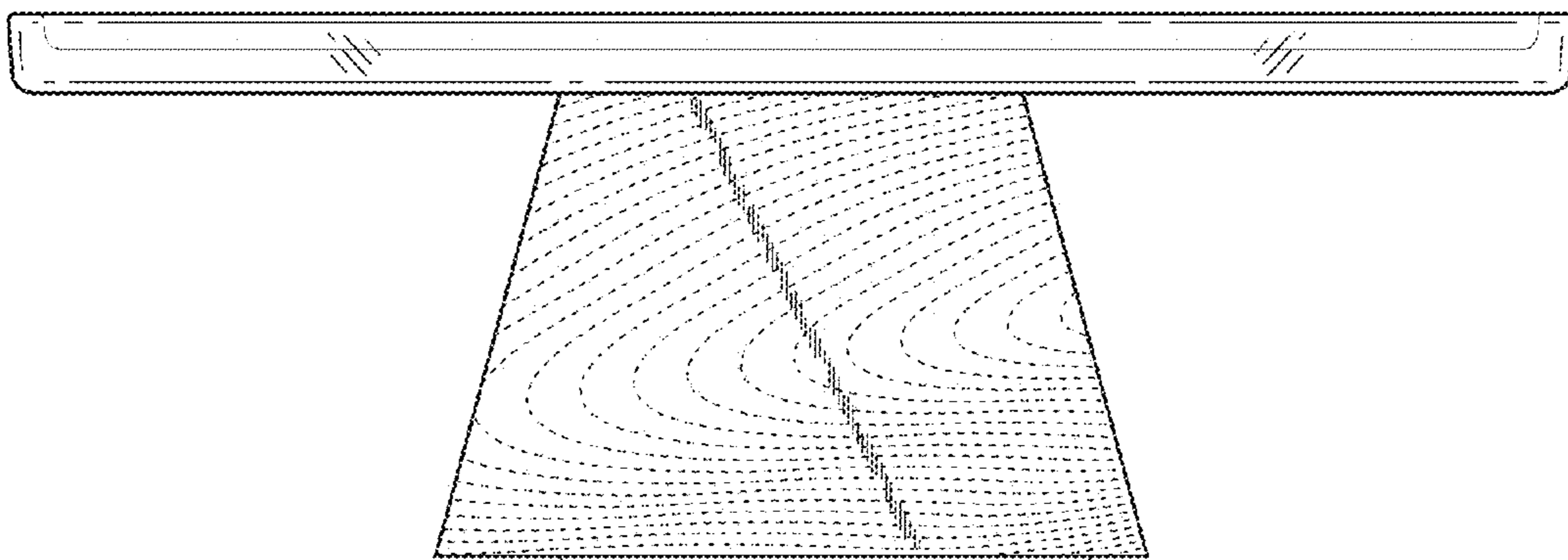


FIG. 3

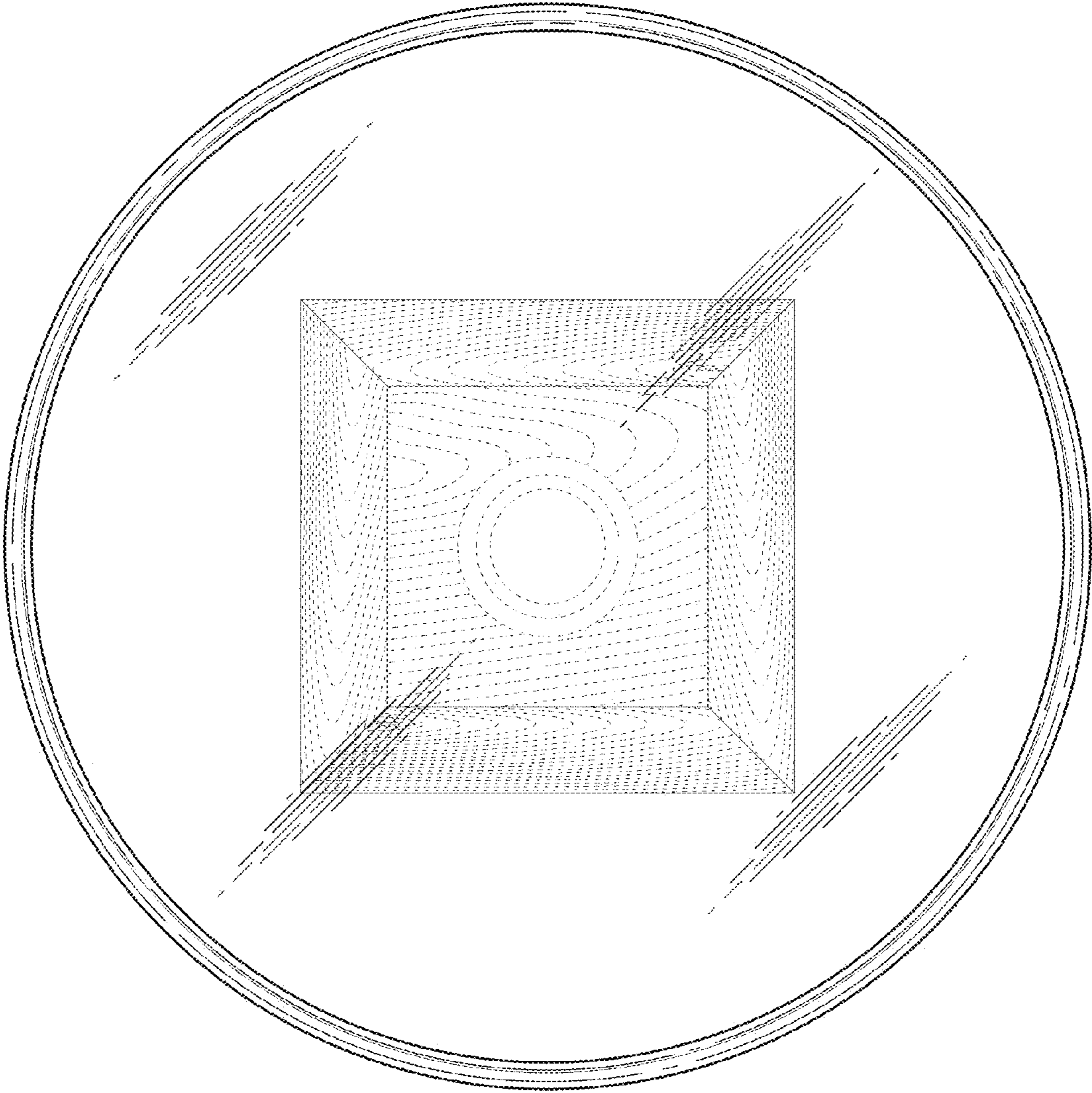


FIG. 4

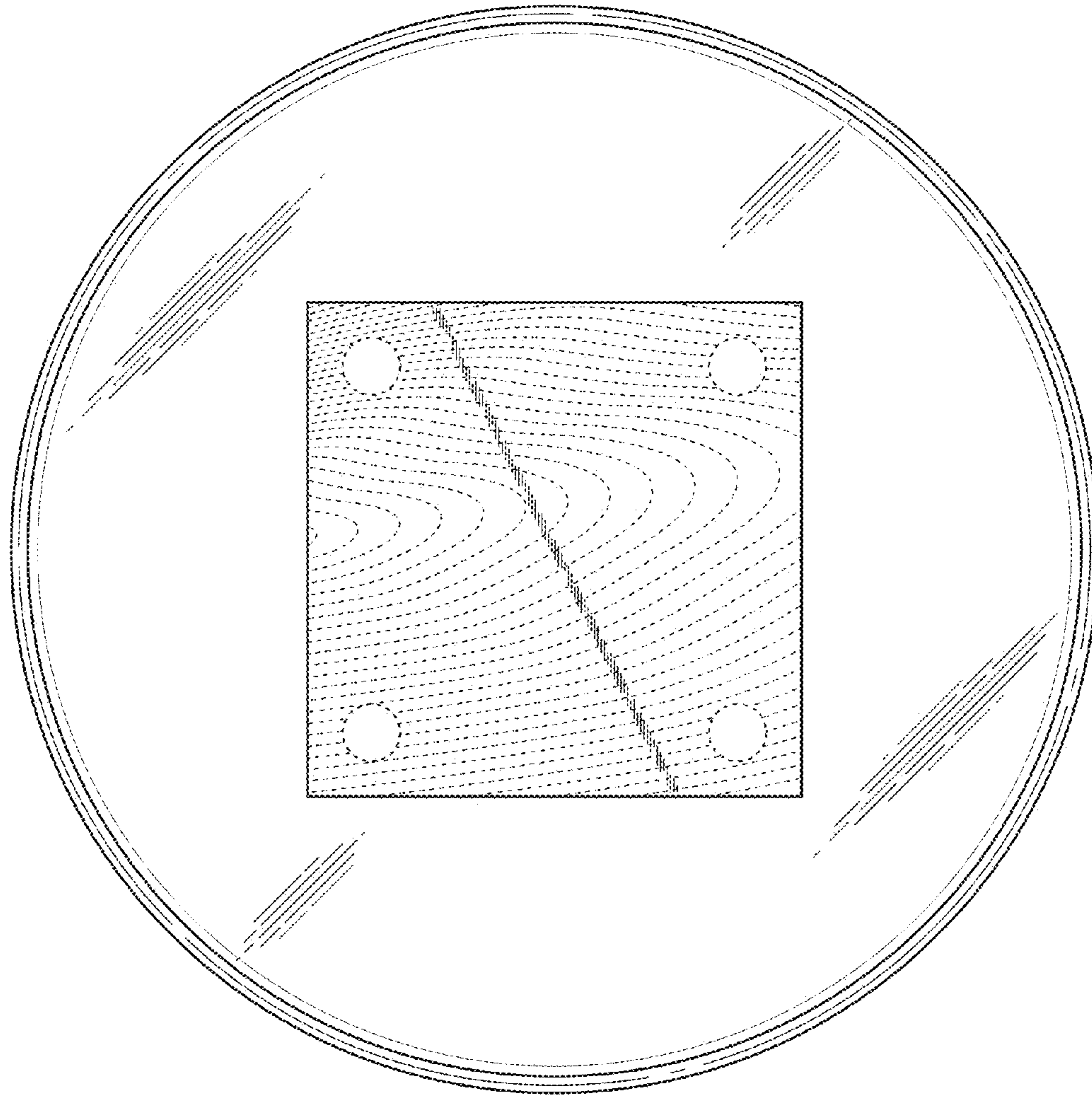


FIG. 5

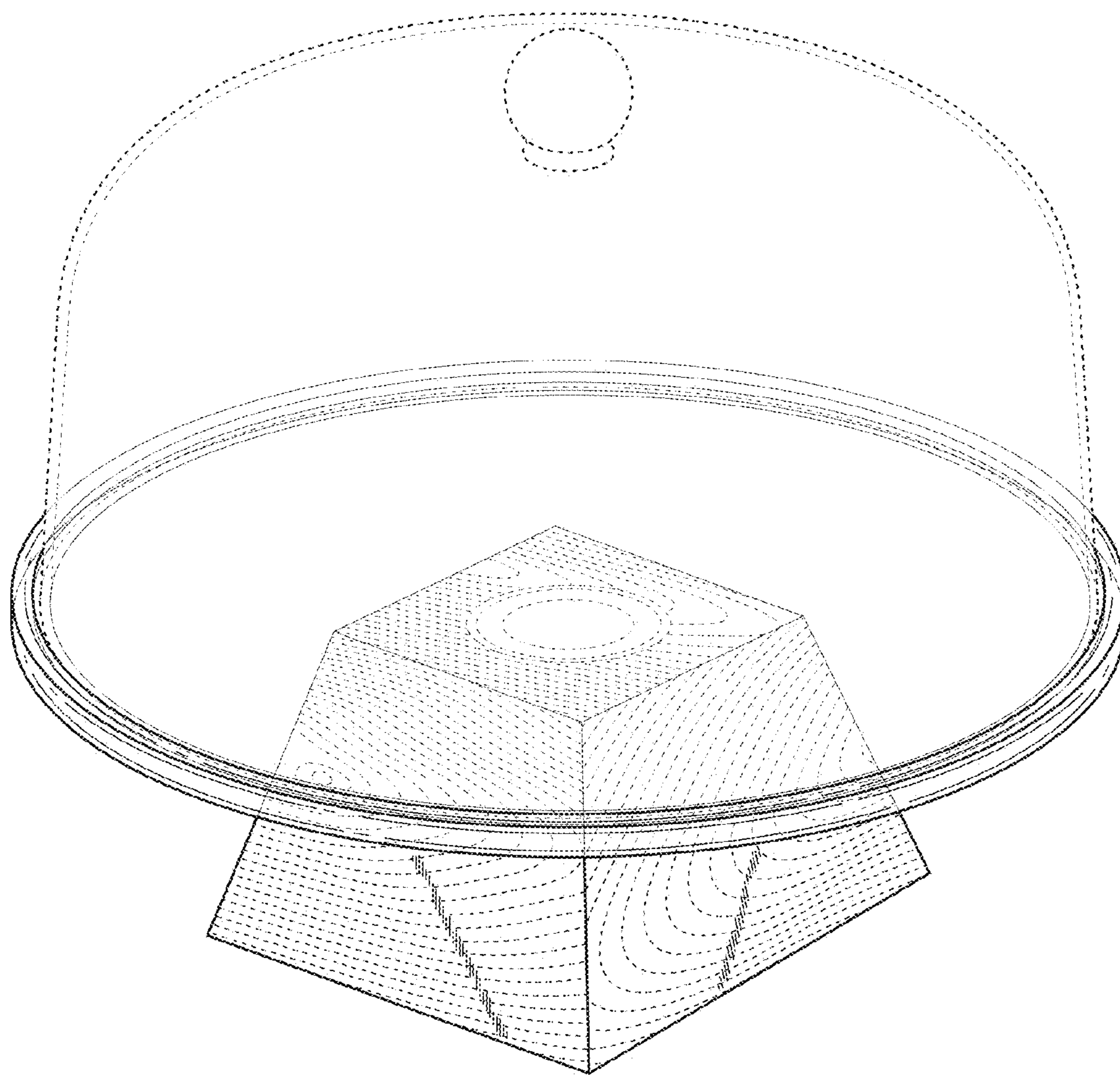


FIG. 6

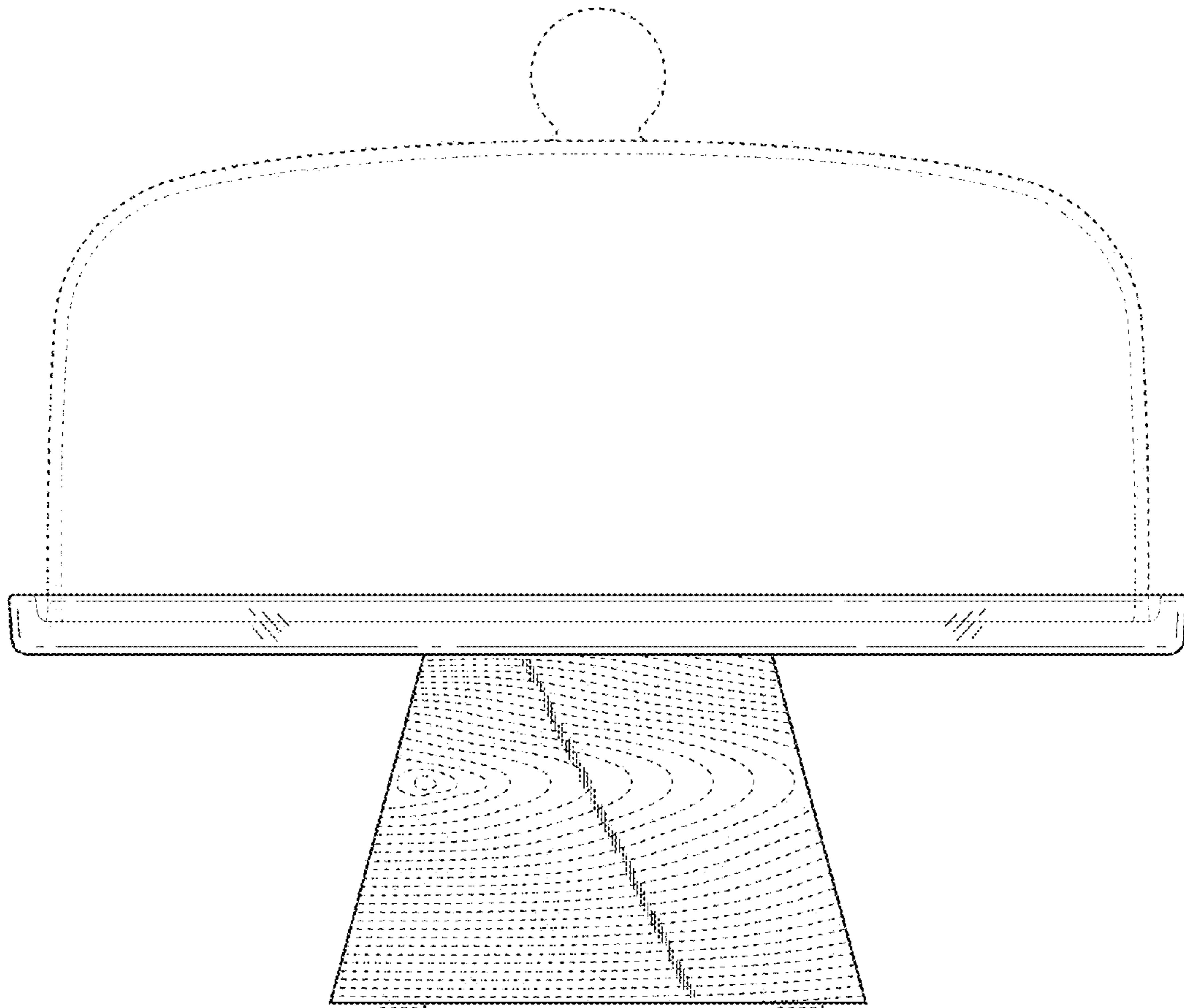


FIG. 7

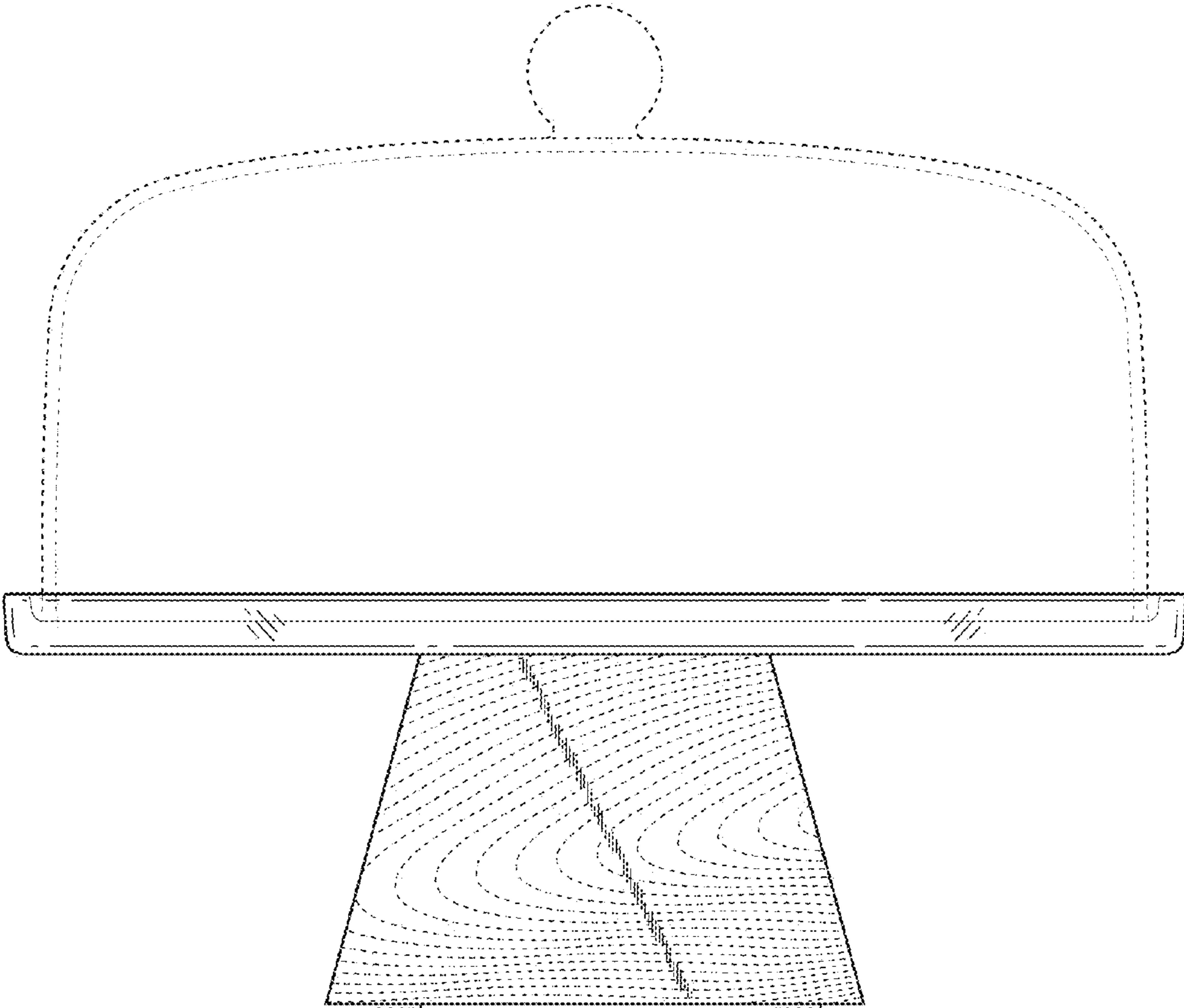


FIG. 8

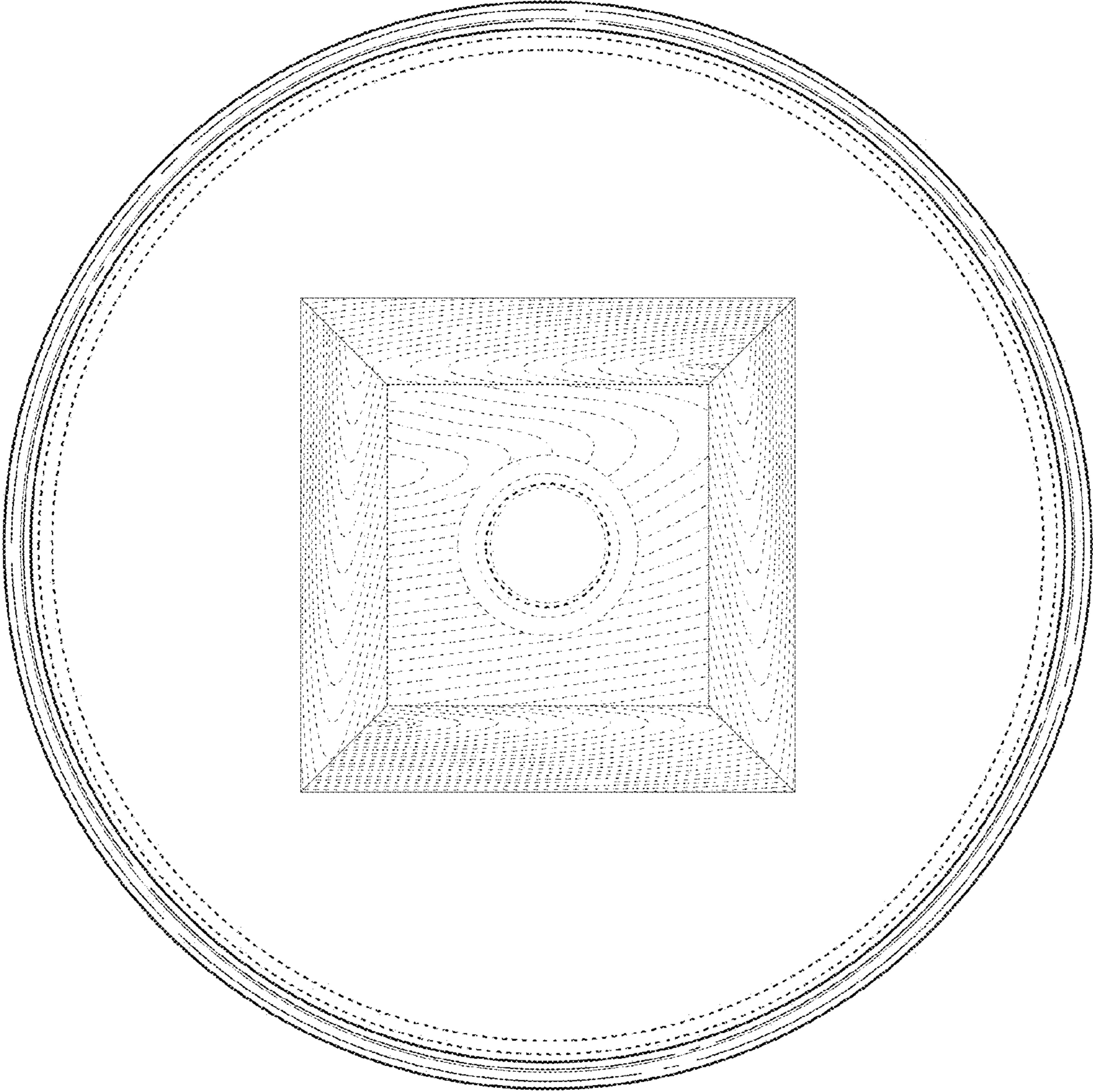


FIG. 9

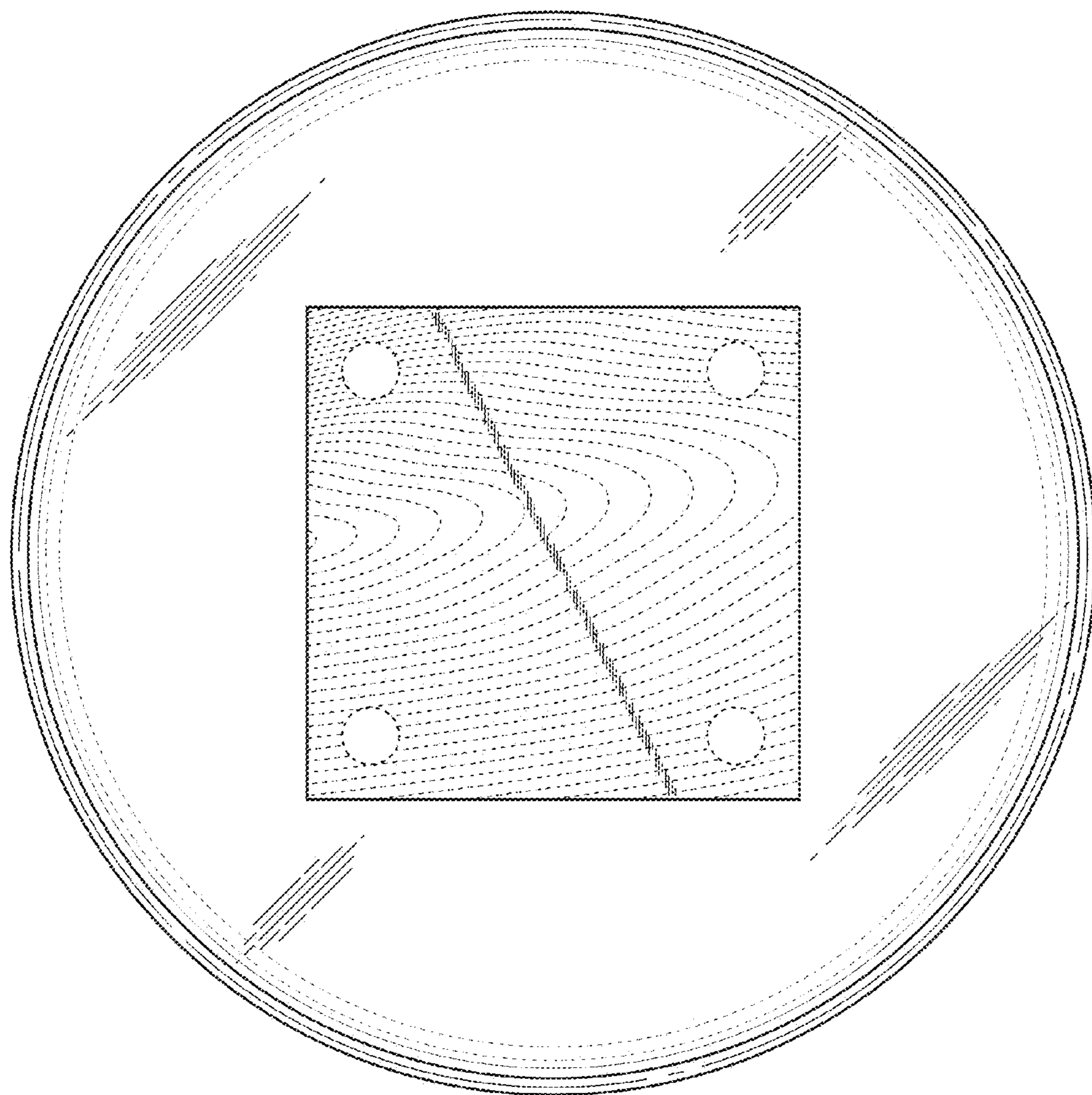


FIG. 10