



US00D734096S

(12) **United States Design Patent**
George et al.

(10) **Patent No.:** **US D734,096 S**
(45) **Date of Patent:** **** Jul. 14, 2015**

(54) **BEVERAGE CONTAINER**

- (71) Applicant: **Pacific Market International, LLC**,
Seattle, WA (US)
- (72) Inventors: **Sarah Danger George**, Vashon, WA
(US); **Andrew C. F. Wahl**, Seattle, WA
(US)
- (73) Assignee: **Pacific Market International, LLC**,
Seattle, WA (US)
- (**) Term: **14 Years**
- (21) Appl. No.: **29/477,159**
- (22) Filed: **Dec. 19, 2013**

Related U.S. Application Data

- (62) Division of application No. 29/465,498, filed on Aug. 28, 2013, now Pat. No. Des. 707,492, which is a division of application No. 29/420,594, filed on May 10, 2012, now Pat. No. Des. 696,900.
- (51) **LOC (10) Cl.** **07-01**
- (52) **U.S. Cl.**
USPC **D7/523**; D7/509; D9/502
- (58) **Field of Classification Search**
USPC D7/509-515, 650, 649, 653, 504, 523,
D7/543, 525, 533, 535, 538, 560, 584, 300,
D7/300.1, 300.2, 305, 600, 602, 705,
D7/619.1, 393, 394, 396.2, 900, 387, 400,
D7/318, 319, 536, 396.1, 326, 630, 624.2;
D9/501, 503, 504, 517, 523, 530, 436,
D9/449, 522, 526, 502, 772, 773, 766, 500,
D9/454, 549, 559; 220/713, 715, 703,
220/254.9, 262, 592.16, 592.17; D24/122,
D24/197, 198, 199
CPC A47G 19/22; A47G 19/2205; A47G
19/2211; A47G 19/2216; A47G 19/2222;
A47G 19/2227

See application file for complete search history.

(56) **References Cited**

U.S. PATENT DOCUMENTS

| | | | | | | |
|-----------|---|---|---------|------------------|-------|------------|
| D47,798 | S | * | 9/1915 | Pick | | D7/523 |
| 3,765,559 | A | * | 10/1973 | Sauvey et al. | | 220/592.16 |
| 4,551,366 | A | * | 11/1985 | Maruhashi et al. | | 229/123.1 |
| D293,293 | S | * | 12/1987 | Isles | | D7/396.6 |
| D320,256 | S | * | 9/1991 | Giordano et al. | | D23/209 |
| D345,676 | S | * | 4/1994 | Biffle | | D7/619.1 |
| 5,310,081 | A | | 5/1994 | McCabe | | |

(Continued)

Primary Examiner — Marianne Pandozzi

Assistant Examiner — Jae Liang

(74) *Attorney, Agent, or Firm* — Davis Wright Tremaine
LLP; George C. Rondeau, Jr.

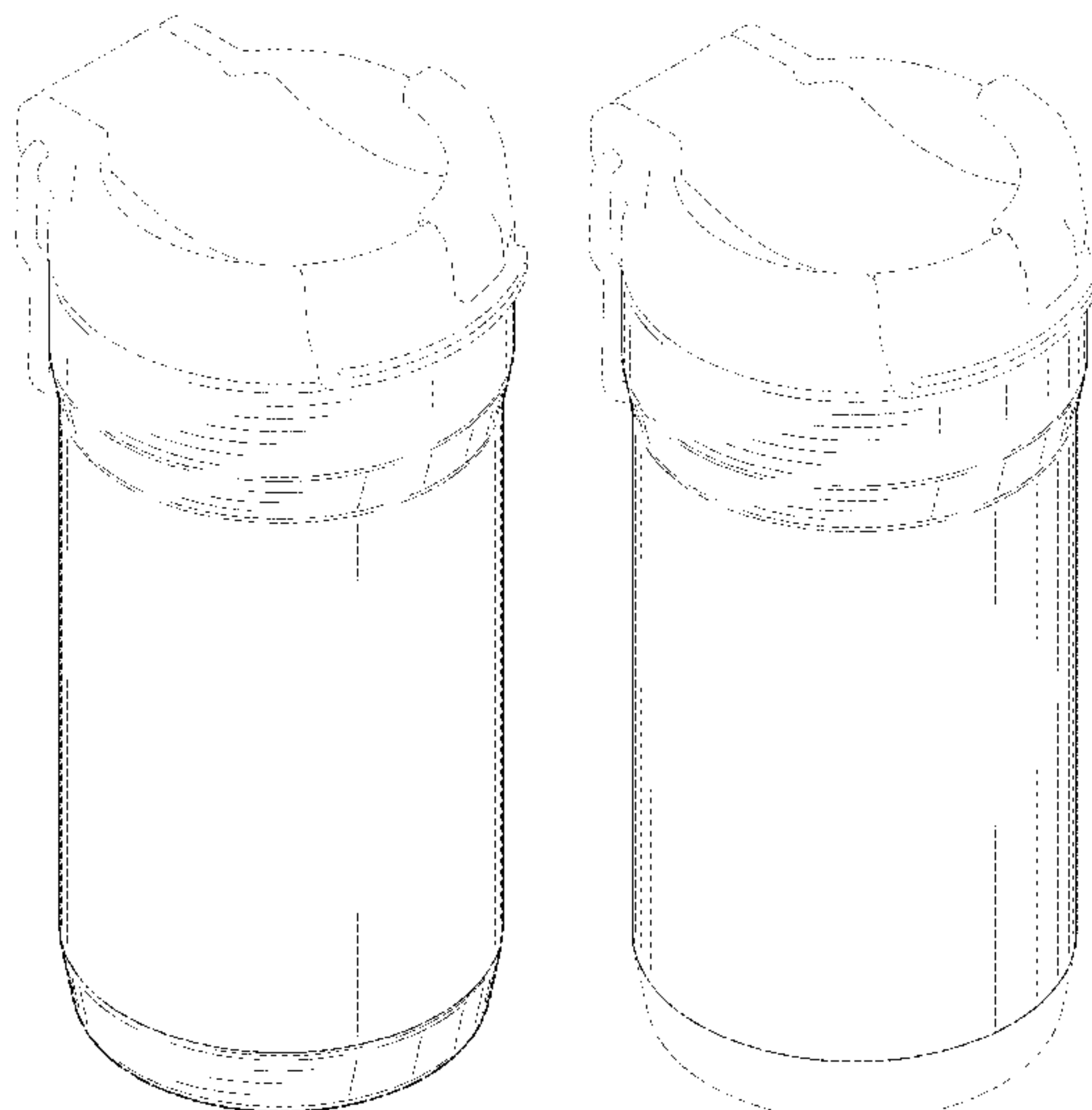
(57) **CLAIM**

The ornamental design for a beverage container, as shown and described.

DESCRIPTION

FIG. 1 is a top front perspective view of a beverage container showing our new design;
 FIG. 2 is a right side elevational view thereof;
 FIG. 3 is a front elevational view thereof;
 FIG. 4 is a left side elevational view thereof;
 FIG. 5 is a rear elevational view thereof;
 FIG. 6 is a top plan view thereof; and
 FIG. 7 is a bottom plan view thereof.
 FIG. 8 is a top front perspective view of the second embodiment of a beverage container;
 FIG. 9 is a right side elevational view thereof;
 FIG. 10 is a front elevational view thereof;
 FIG. 11 is a left side elevational view thereof;
 FIG. 12 is a rear elevational view thereof;
 FIG. 13 is a top plan view thereof; and,
 FIG. 14 is a bottom plan view thereof.
 The broken lines showing in the figure drawings are included for the purpose of illustration and form no part of the claimed design.

1 Claim, 12 Drawing Sheets



(56)

References Cited

U.S. PATENT DOCUMENTS

| | | | | | | | | | |
|--------------|---------|------------------|-------|--------|-------------------|---------|----------------|-------|-----------|
| D366,810 S * | 2/1996 | Yeh | | D7/536 | D622,545 S * | 8/2010 | Wahl | | D7/510 |
| D371,304 S * | 7/1996 | Onneweer | | D9/503 | D622,553 S * | 8/2010 | Bollenbacher | | D7/624.2 |
| D372,839 S * | 8/1996 | Laib | | D7/536 | D623,473 S | 9/2010 | Chen | | |
| D412,087 S * | 7/1999 | Spencer | | D7/510 | D631,699 S * | 2/2011 | Moreau | | D7/523 |
| D455,611 S | 4/2002 | Kitamura et al. | | | D638,709 S * | 5/2011 | Yourist | | D9/500 |
| D537,676 S * | 3/2007 | Kingsley | | D7/510 | D649,402 S * | 11/2011 | Gilbert et al. | | D7/510 |
| D557,562 S * | 12/2007 | Kramer | | D7/533 | D655,580 S | 3/2012 | Kotani | | |
| D561,590 S * | 2/2008 | Kingsley | | D9/500 | D660,081 S * | 5/2012 | Gilbert | | D7/509 |
| D562,072 S * | 2/2008 | Wahl | | D7/510 | D660,082 S * | 5/2012 | Wahl | | D7/510 |
| D565,901 S * | 4/2008 | Edelstein et al. | | D7/510 | D667,263 S | 9/2012 | Gilbert et al. | | |
| D568,685 S * | 5/2008 | Bodum | | D7/523 | D675,059 S | 1/2013 | Carreno | | |
| D577,259 S * | 9/2008 | Seum et al. | | D7/523 | D675,873 S * | 2/2013 | Miller et al. | | D7/510 |
| D587,969 S | 3/2009 | Gilbert | | | D676,708 S | 2/2013 | Lane | | |
| D588,411 S | 3/2009 | Watanabe | | | 8,464,895 B2 | 6/2013 | Gilbert et al. | | |
| D592,012 S | 5/2009 | Carreno | | | D686,870 S | 7/2013 | Young | | |
| D596,460 S | 7/2009 | Nezu | | | D691,416 S * | 10/2013 | Eyal | | D7/396.2 |
| D608,640 S | 1/2010 | Carreno | | | D696,900 S * | 1/2014 | George et al. | | D7/392.1 |
| D610,402 S | 2/2010 | Carreno | | | D707,492 S * | 6/2014 | George et al. | | D7/510 |
| | | | | | D713,686 S * | 9/2014 | Eyal | | D7/509 |
| | | | | | 2006/0081750 A1 * | 4/2006 | Kazyaka | | 248/311.2 |
| | | | | | 2013/0056467 A1 * | 3/2013 | Shepard et al. | | 220/254.9 |

* cited by examiner

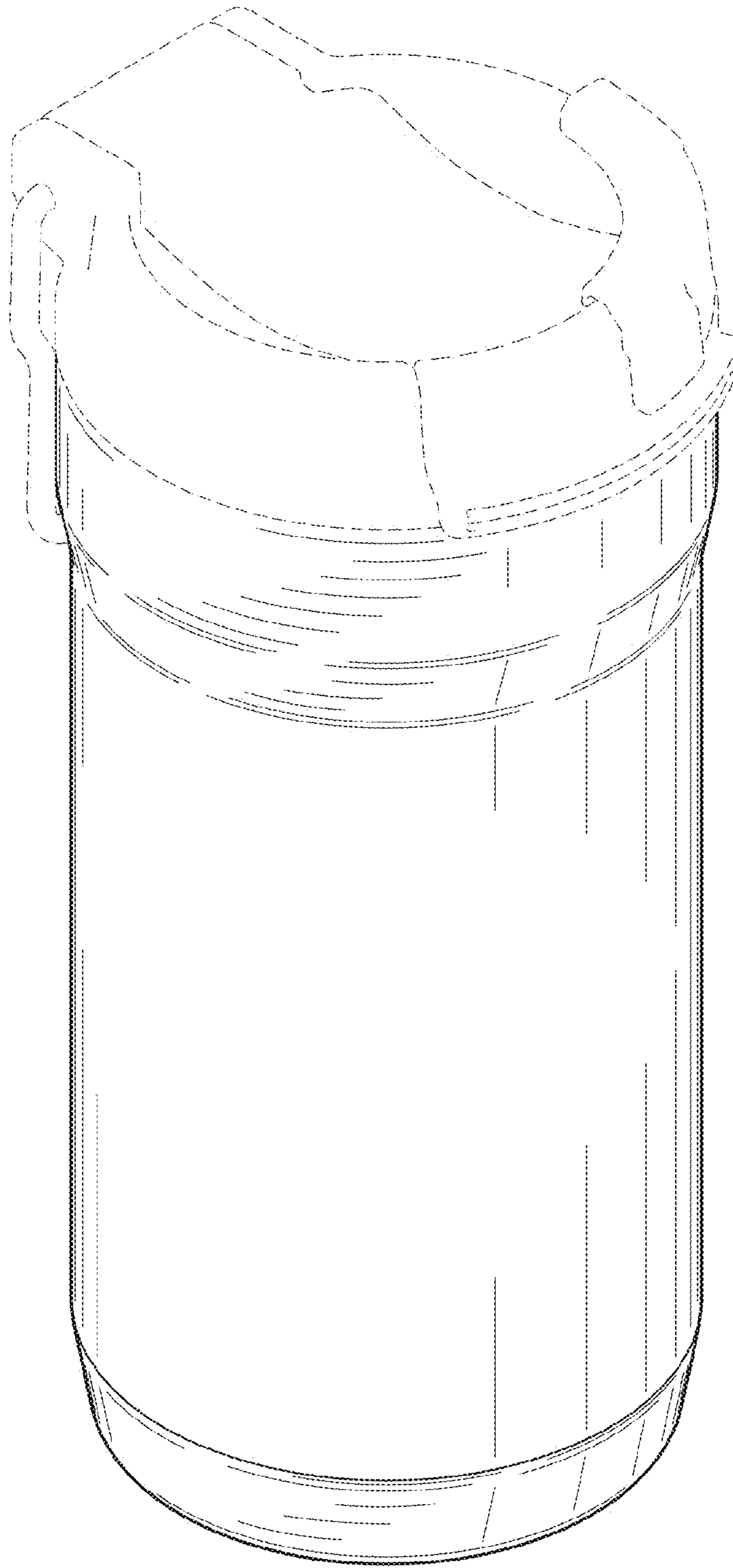


FIG.1

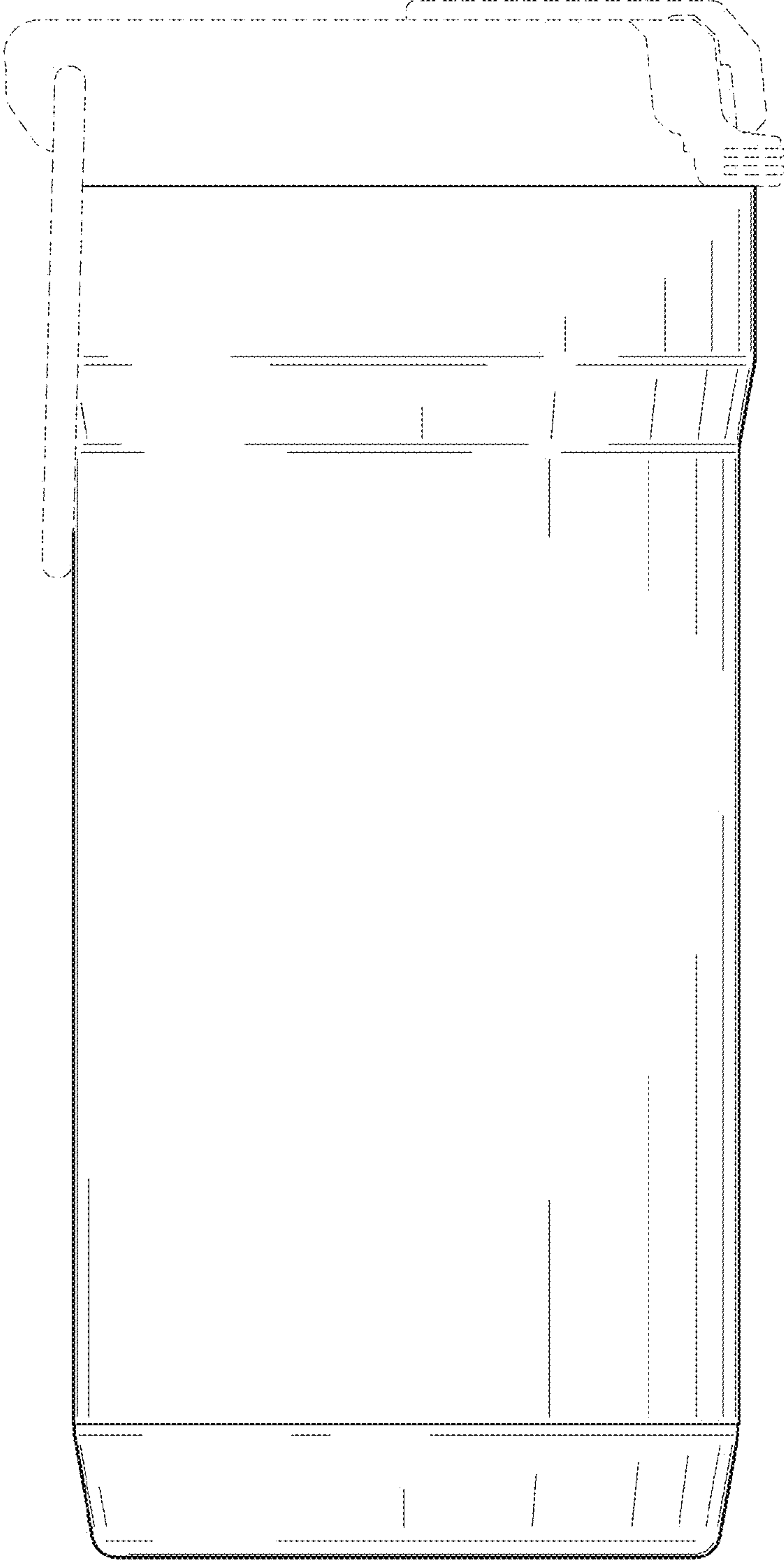


FIG.2

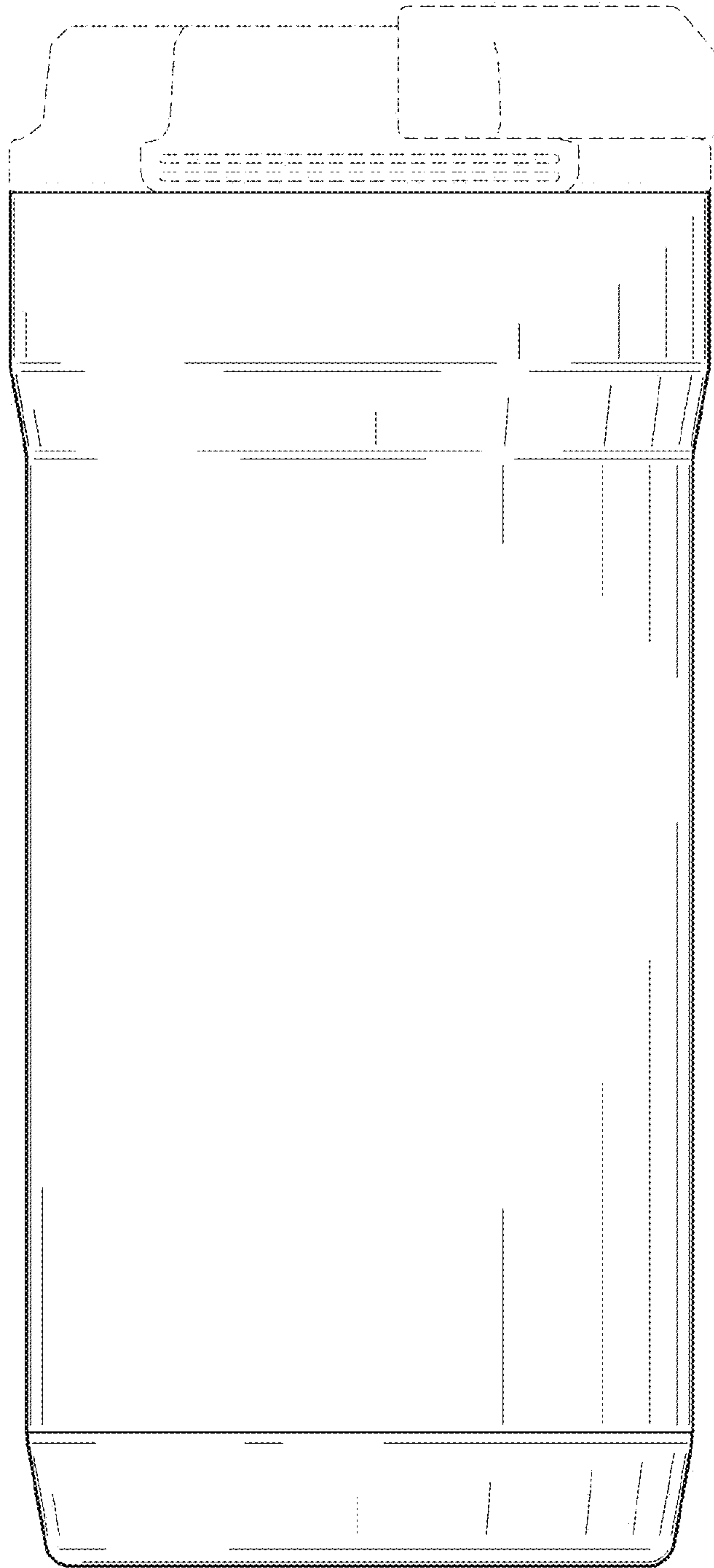


FIG. 3

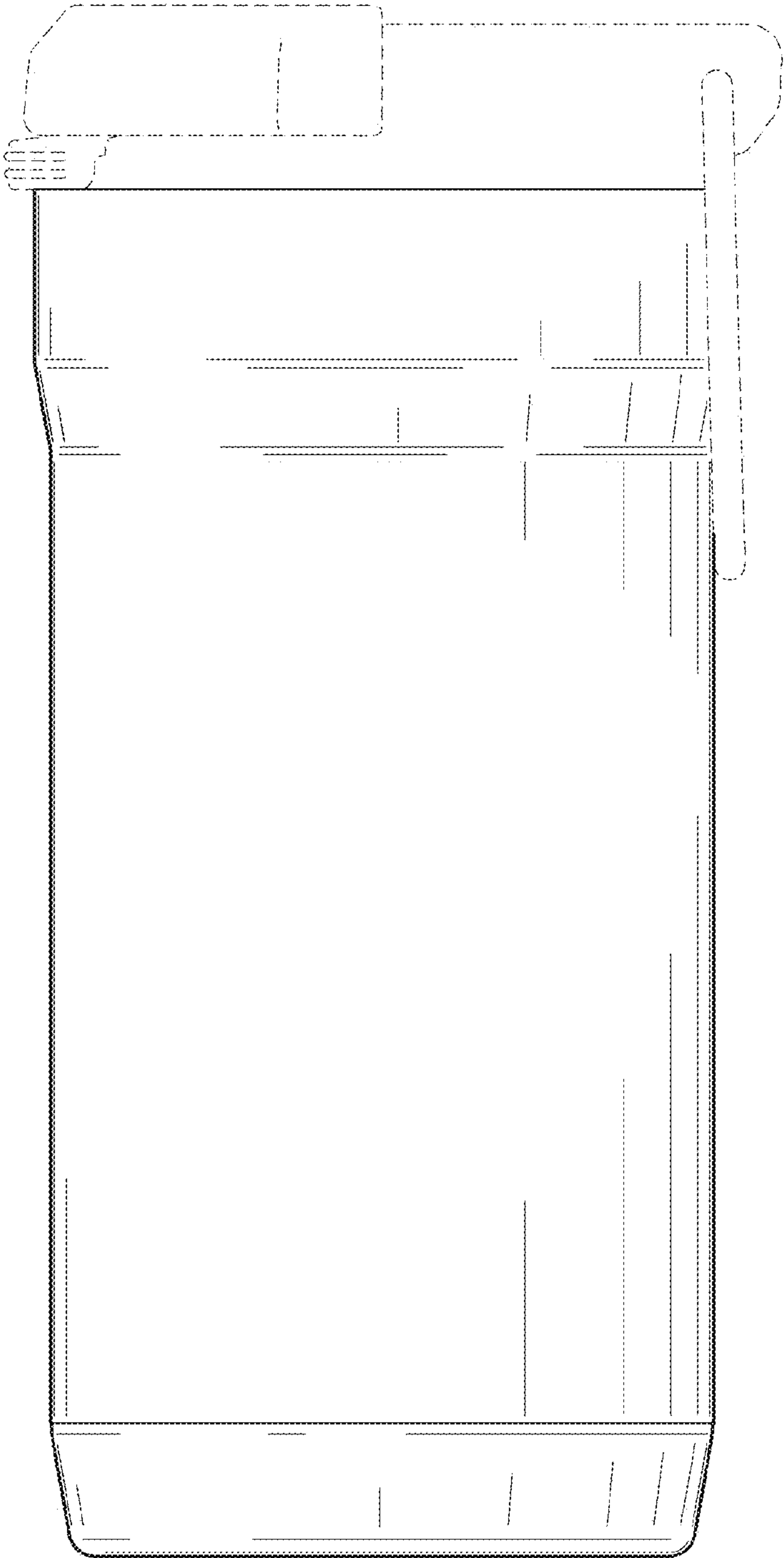


FIG. 4

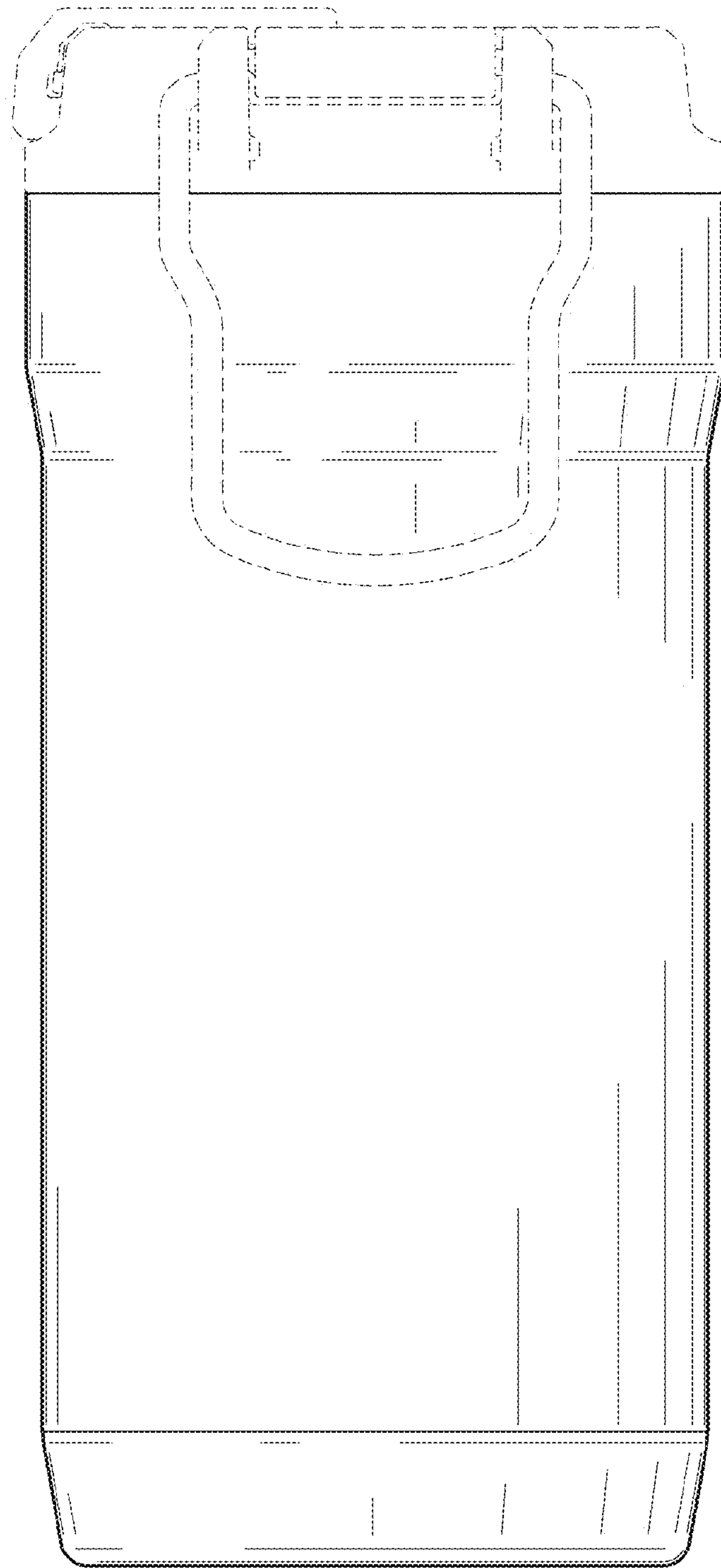


FIG. 5

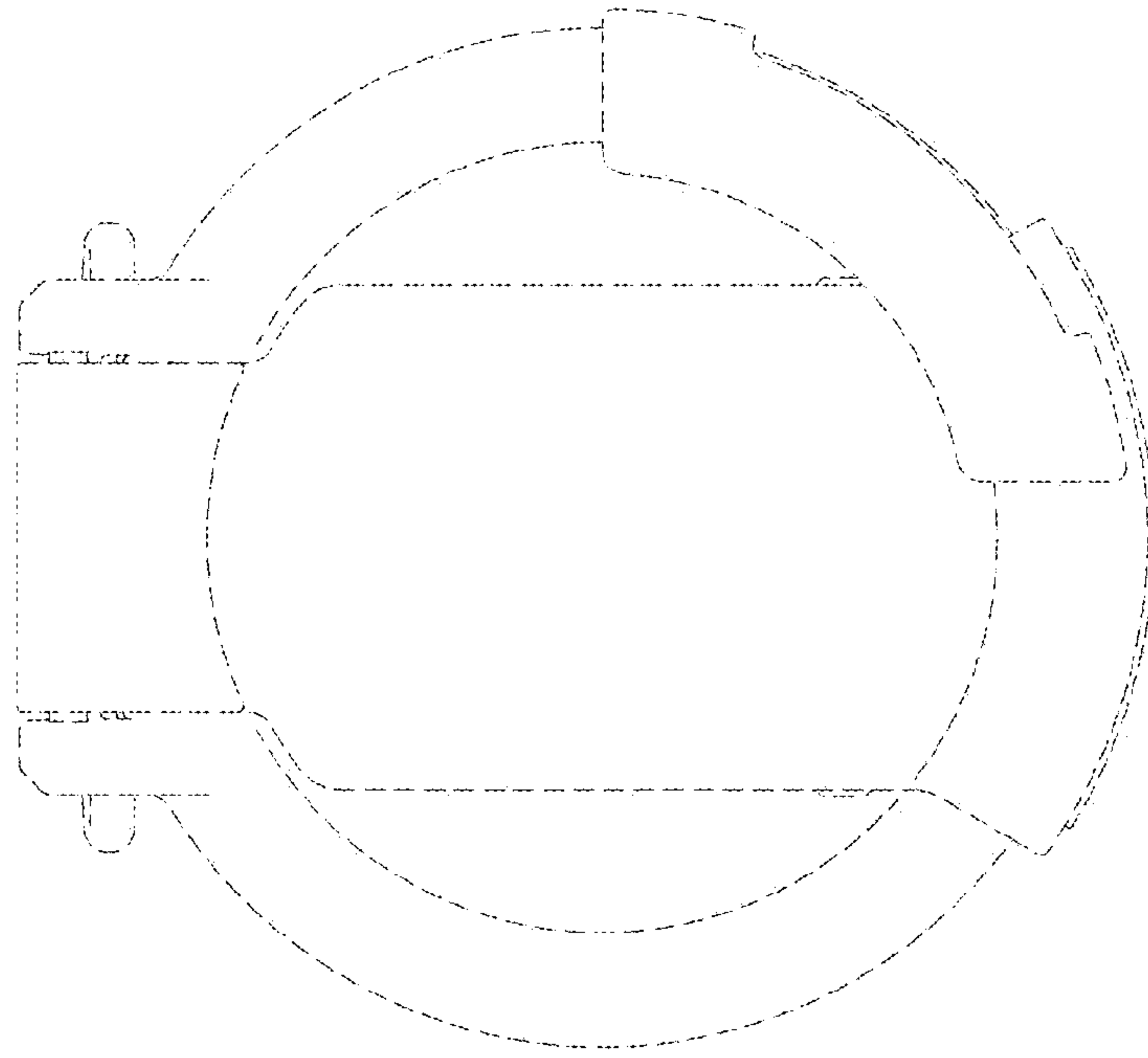


FIG. 6

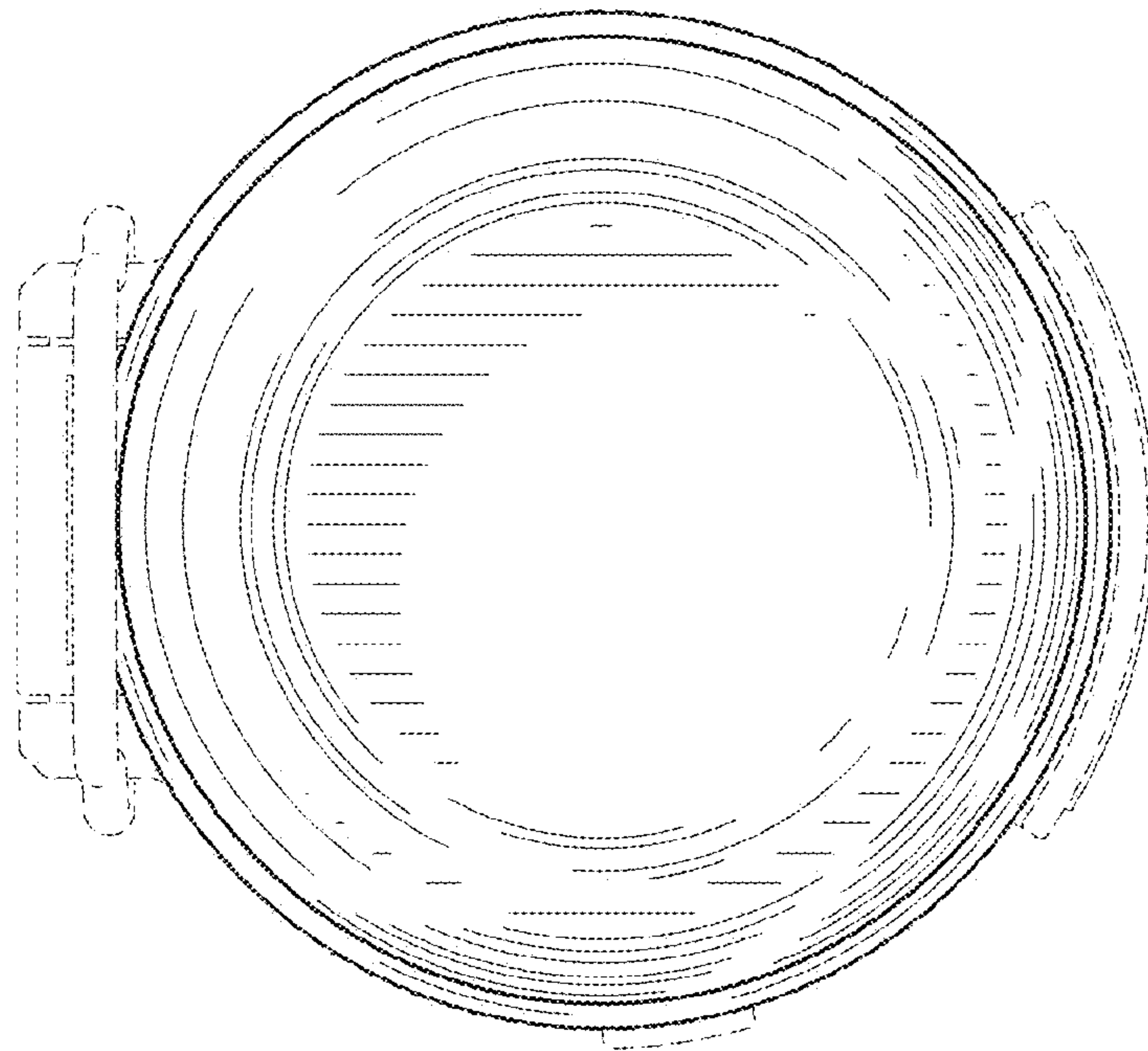


FIG. 7

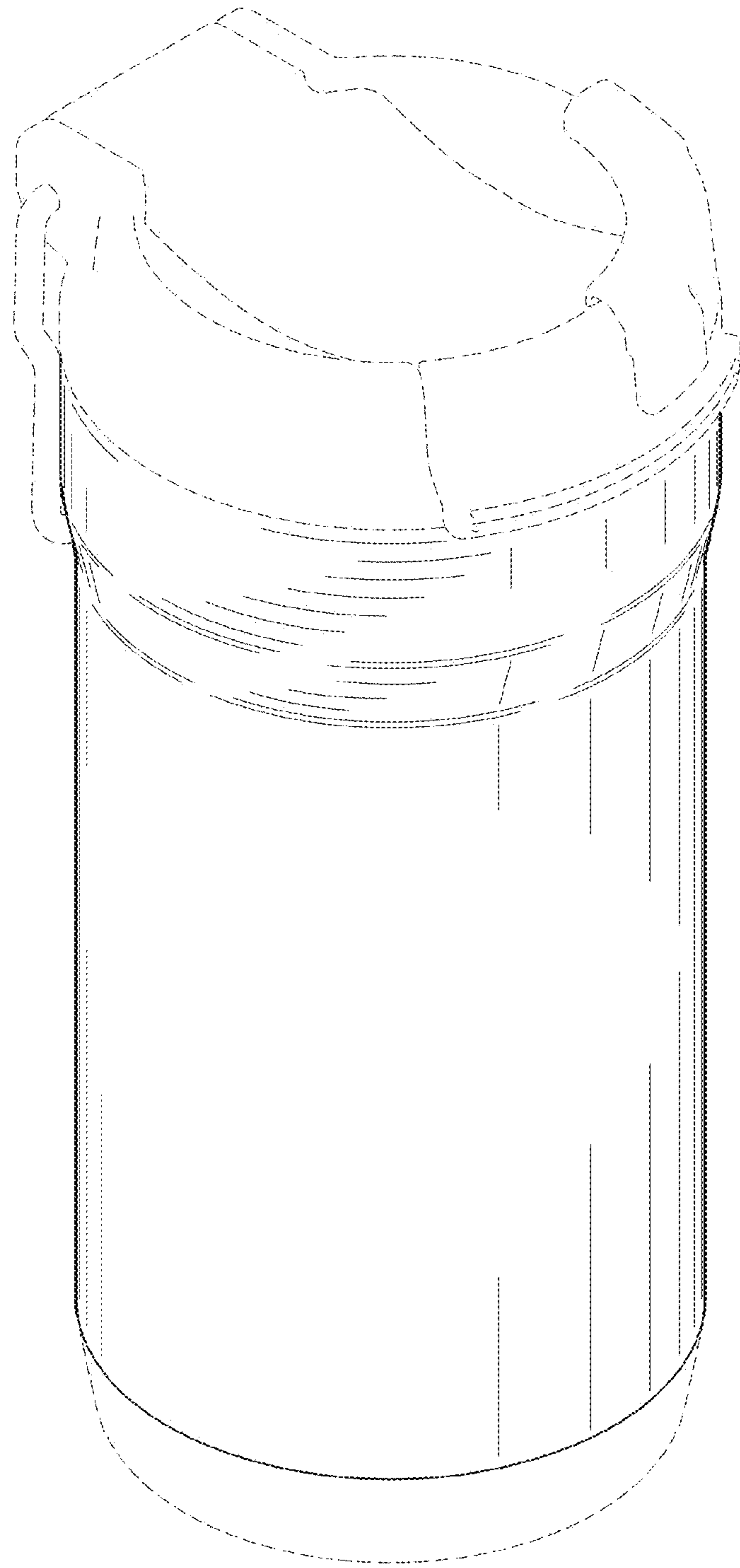


FIG. 8

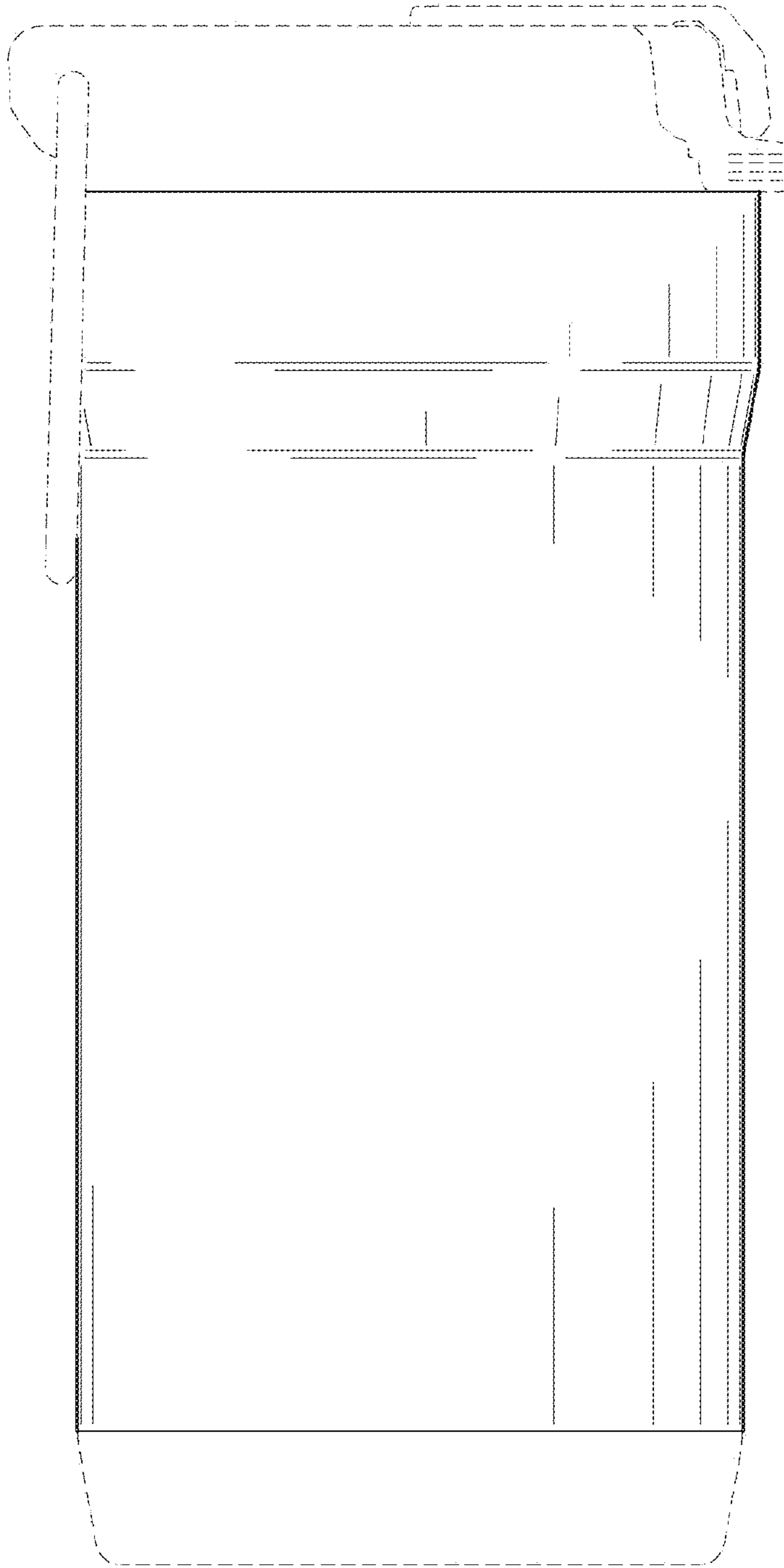


FIG. 9

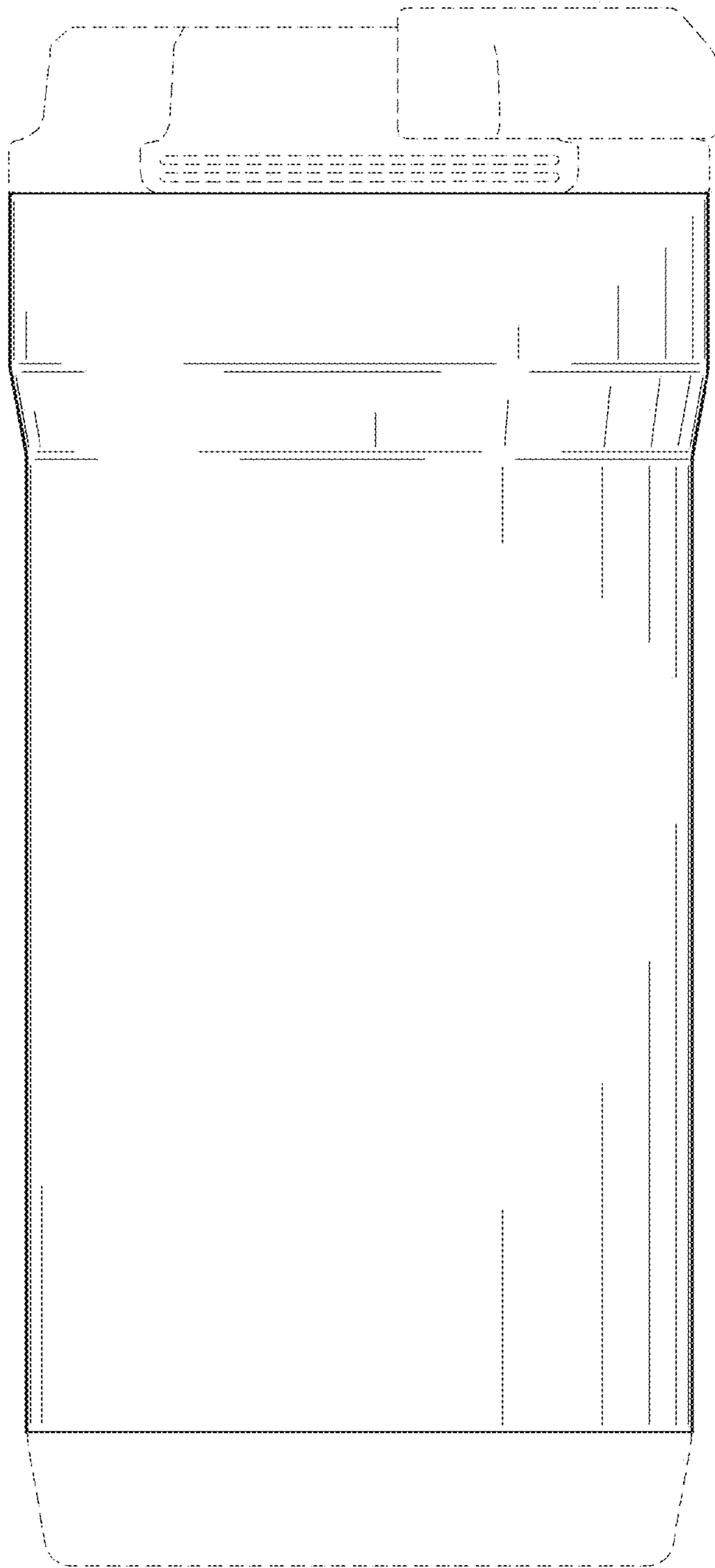


FIG.10

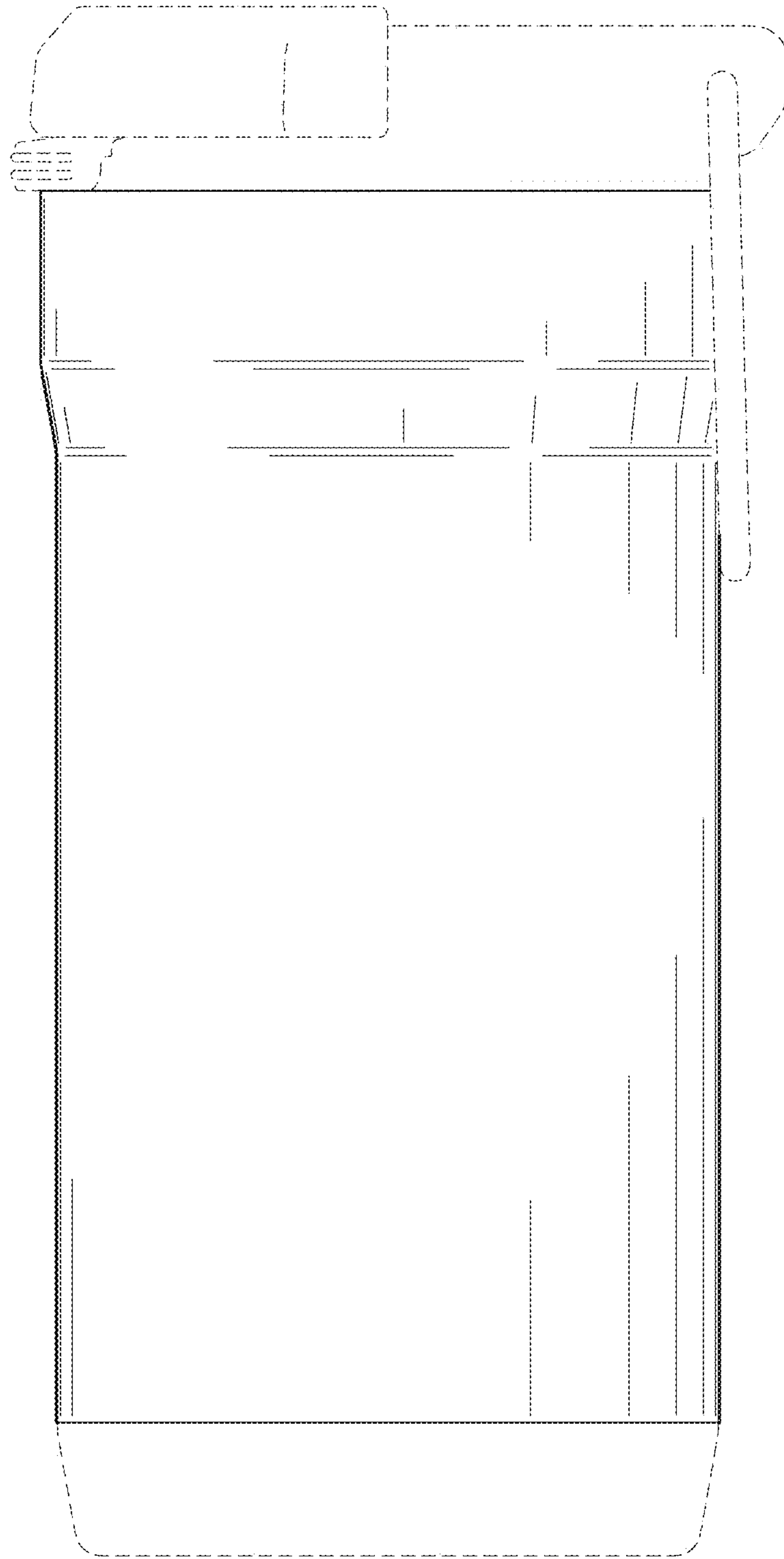


FIG.11

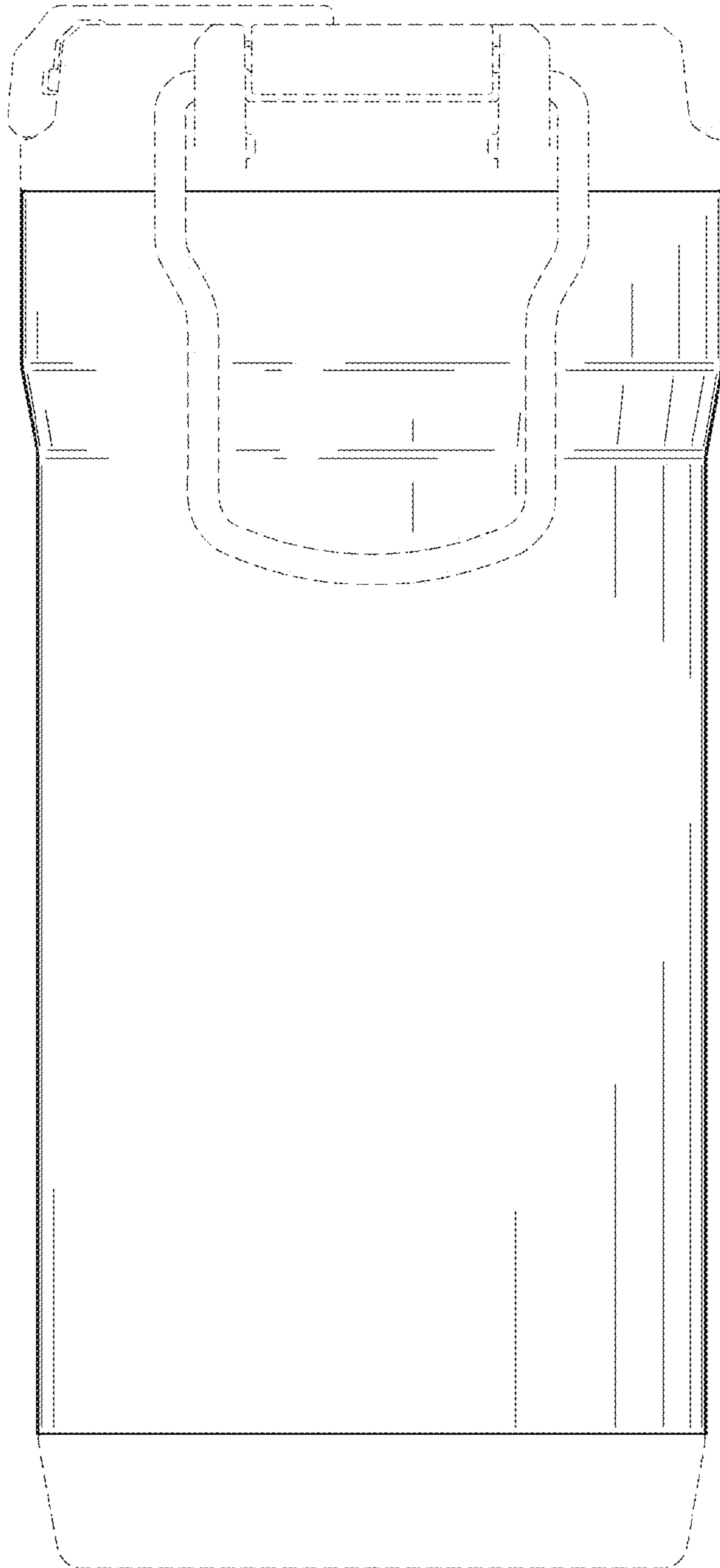


FIG.12

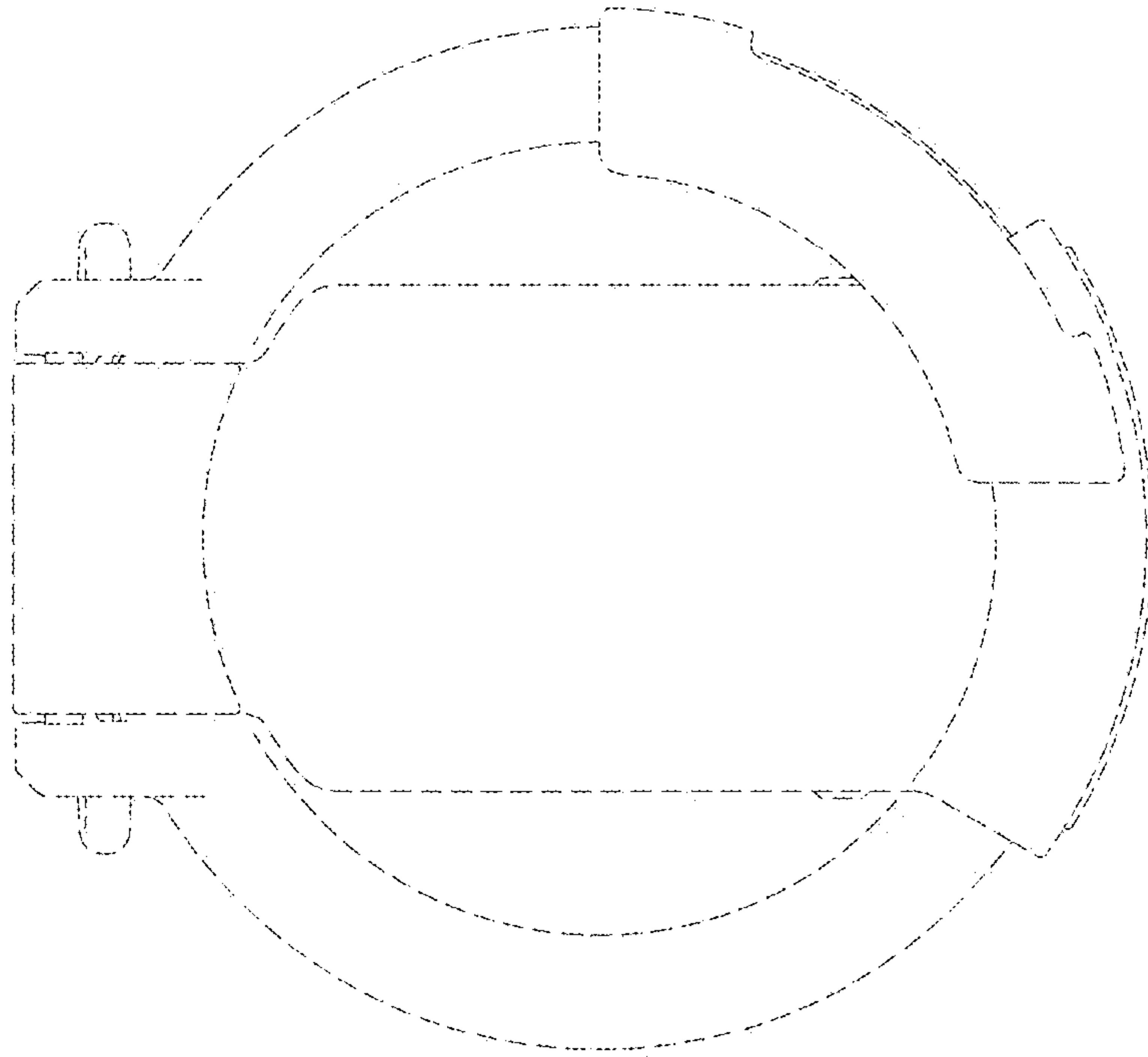


FIG. 13

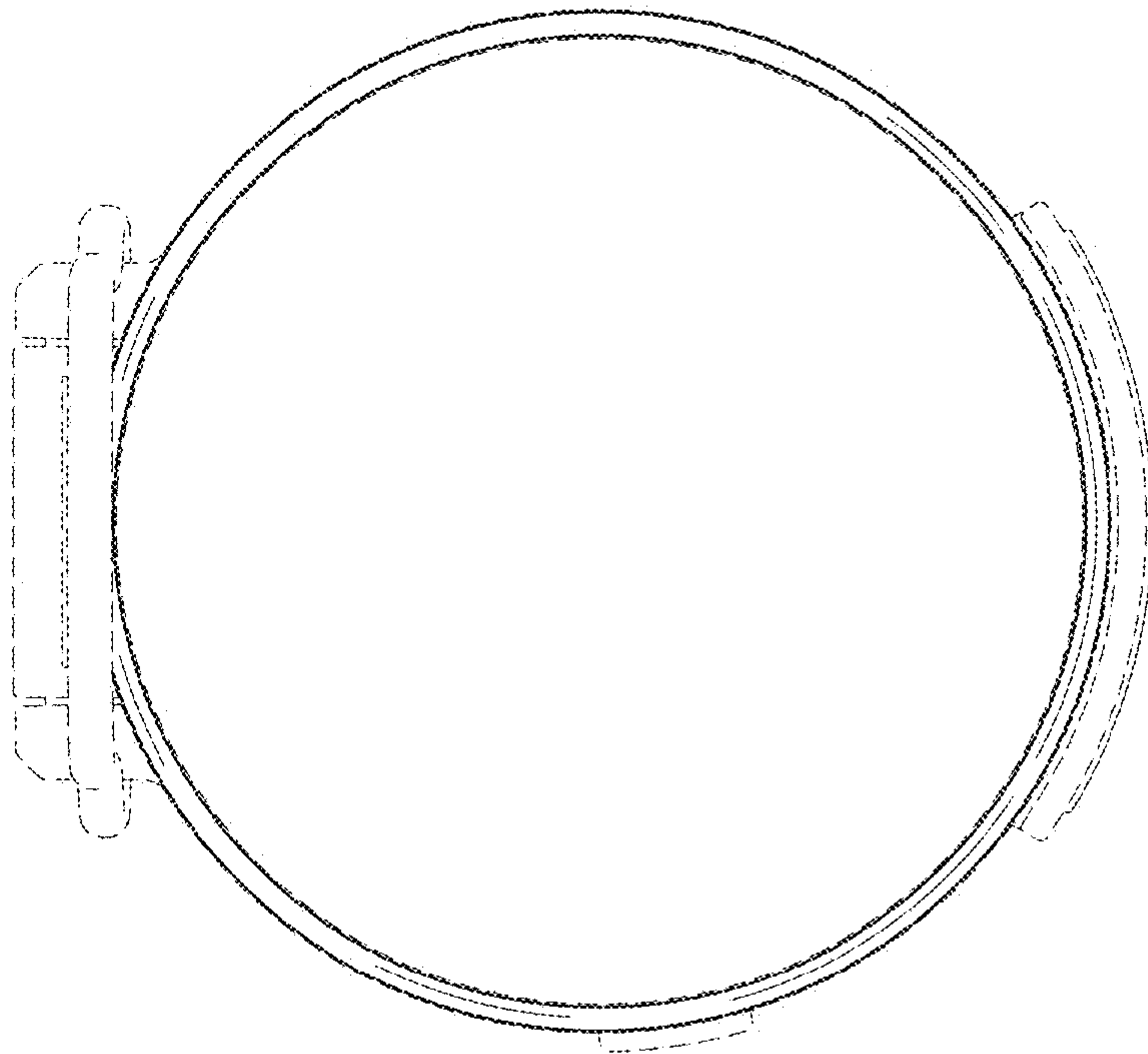


FIG. 14