



US00D734094S

(12) **United States Design Patent**
Vogds et al.

(10) **Patent No.:** **US D734,094 S**
(45) **Date of Patent:** **** Jul. 14, 2015**

(54) **OUTDOOR GRILL BASKET**

(71) Applicants: **Thomas Vogds**, Denton, TX (US); **Terri Vogds**, Denton, TX (US)

(72) Inventors: **Thomas Vogds**, Denton, TX (US); **Terri Vogds**, Denton, TX (US)

(**) Term: **14 Years**

(21) Appl. No.: **29/485,333**

(22) Filed: **Mar. 18, 2014**

(51) **LOC (10) Cl.** **07-02**

(52) **U.S. Cl.**

USPC **D7/409**; D7/354

(58) **Field of Classification Search**

USPC D6/677.2; D7/323, 332, 335-337,
D7/354-355, 359-364, 387-388, 402,
D7/407-409, 542, 672, 704; D19/77

CPC A21B 2/00; A21B 3/00; A21B 3/13;
A21B 3/15; A21B 5/00; A21B 5/02; A23N
12/06; A23N 12/08; A23N 12/10; A45C 3/06;
A45C 11/20; A47B 49/00; A47G 19/02;
A47J 27/04; A47J 27/122; A47J 36/16;
A47J 37/00; A47J 37/04; A47J 37/041;
A47J 37/042; A47J 37/06; A47J 37/067;
A47J 37/0664; A47J 37/0688; A47J 37/0694;
A47J 37/07; A47J 37/0704; A47J 37/10;
A47J 37/1242; A47J 43/24; A47J 47/16;
A47J 47/20; A47J 2037/00; A47J 2037/06;
A47J 2037/0611; A47J 2037/07; A47J
2037/0786; A47J 2037/0795; A47L 15/505;
A61L 2/00; A61L 2/26; B65D 21/086; B65D
25/32; F24C 15/10; F24C 15/12; F24C 15/14;
F24C 15/16; F24C 15/164; F24C 15/18

See application file for complete search history.

(56) **References Cited**

U.S. PATENT DOCUMENTS

896,708	A *	8/1908	Bruce	99/417
909,715	A *	1/1909	Troegeler	220/8
1,530,175	A *	3/1925	Hatch, Jr.	220/6
1,631,725	A *	6/1927	Halvorsen	211/85.31
1,956,678	A *	5/1934	Hanson	108/183
2,467,337	A *	4/1949	Schnell	422/302
2,552,983	A *	5/1951	Lee	422/310
3,212,426	A *	10/1965	Lewus	99/339
3,347,404	A *	10/1967	McIntyre	220/486
D258,631	S *	3/1981	Lax	D7/542
4,836,392	A *	6/1989	Constantino	211/133.5
4,858,772	A *	8/1989	Phillipson	211/36
5,195,424	A *	3/1993	Guajaca	99/418
D339,266	S *	9/1993	Lockett	D7/409
5,275,288	A *	1/1994	Lockett	206/507
D392,163	S *	3/1998	Jenkinson	D7/704
D442,020	S *	5/2001	Pierick	D7/359
D588,199	S *	3/2009	Eisenbaum	D19/77
D599,167	S *	9/2009	Tiemann	D7/409
D615,355	S *	5/2010	Viahos	D7/409
8,025,007	B1 *	9/2011	Boyer	99/339
D650,225	S *	12/2011	Bartol et al.	D7/409
D689,716	S *	9/2013	Chase	D6/677.2
2014/0224750	A1 *	8/2014	Vogds et al.	211/13.1

* cited by examiner

Primary Examiner — Ricky Pham

(74) *Attorney, Agent, or Firm* — David G. Moore

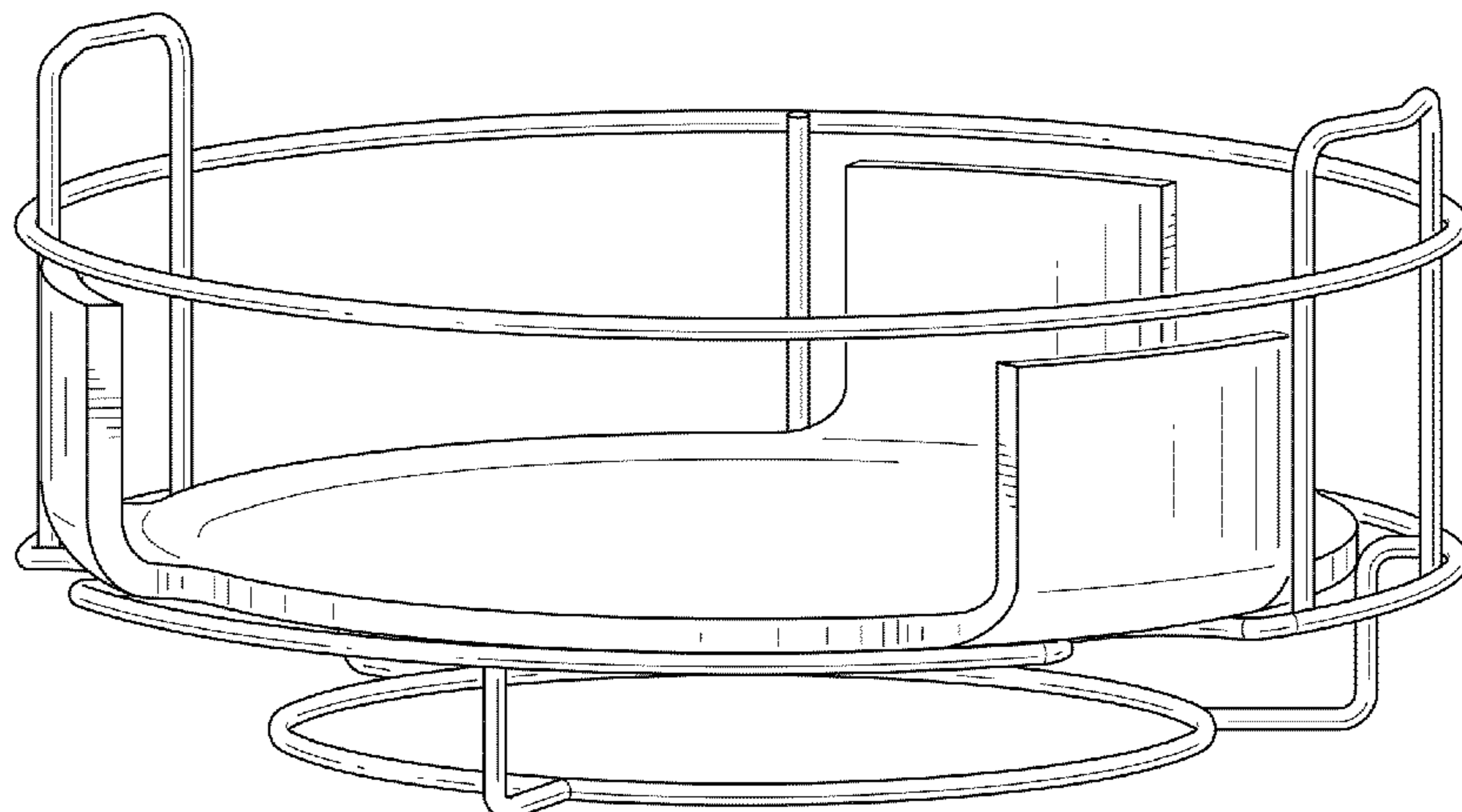
(57) **CLAIM**

The ornamental design for an outdoor grill basket, as shown.

DESCRIPTION

FIG. 1 is a front perspective view of the outdoor grill basket showing our new design;
FIG. 2 is a right side view of the outdoor grill basket;
FIG. 3 is a left side view of the outdoor grill basket;
FIG. 4 is a front view of the outdoor grill basket;
FIG. 5 is a rear view of the outdoor grill basket;
FIG. 6 is a top view of the outdoor grill basket; and,
FIG. 7 is a bottom view of the outdoor grill basket.

1 Claim, 5 Drawing Sheets



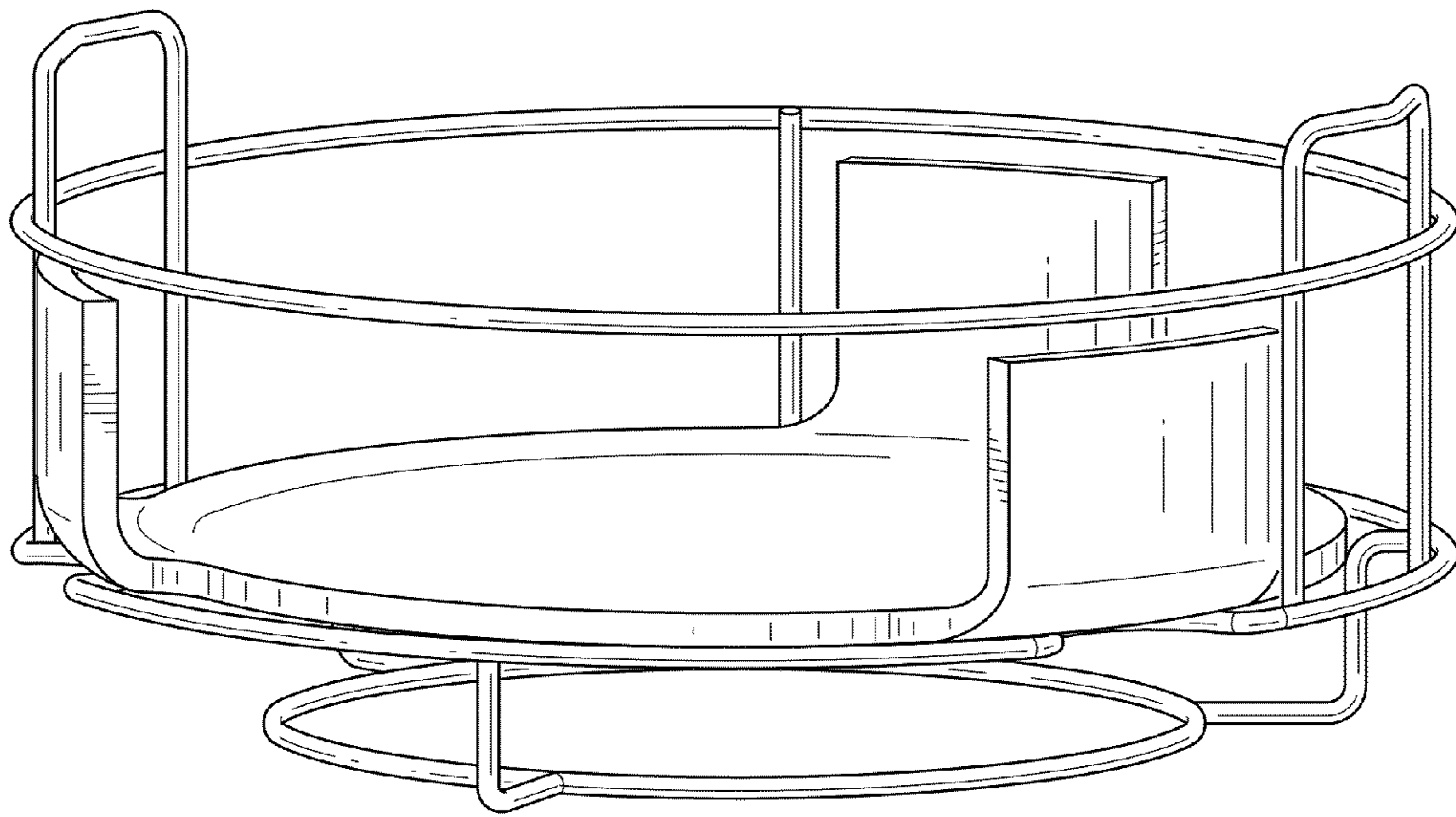


FIG. 1

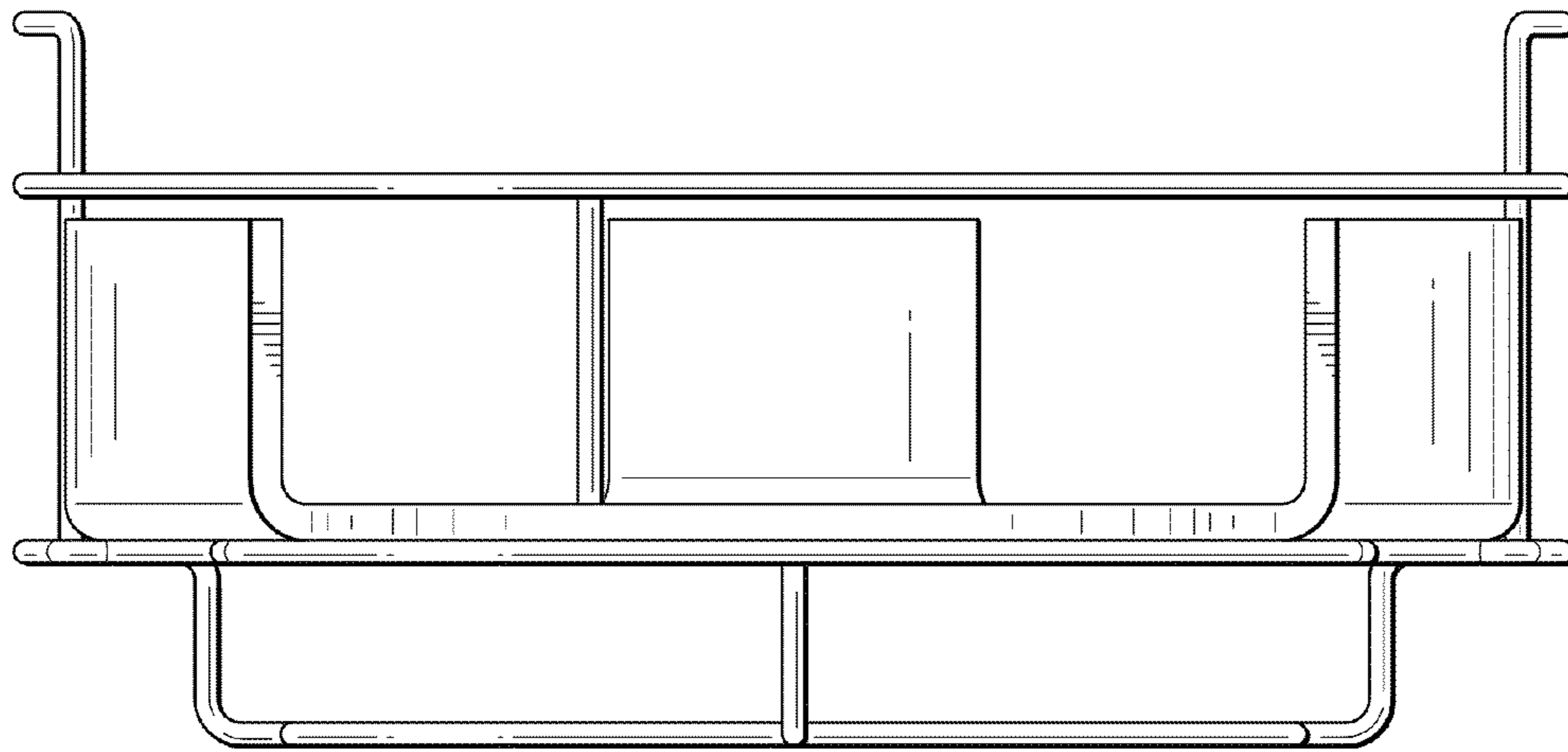


FIG. 2

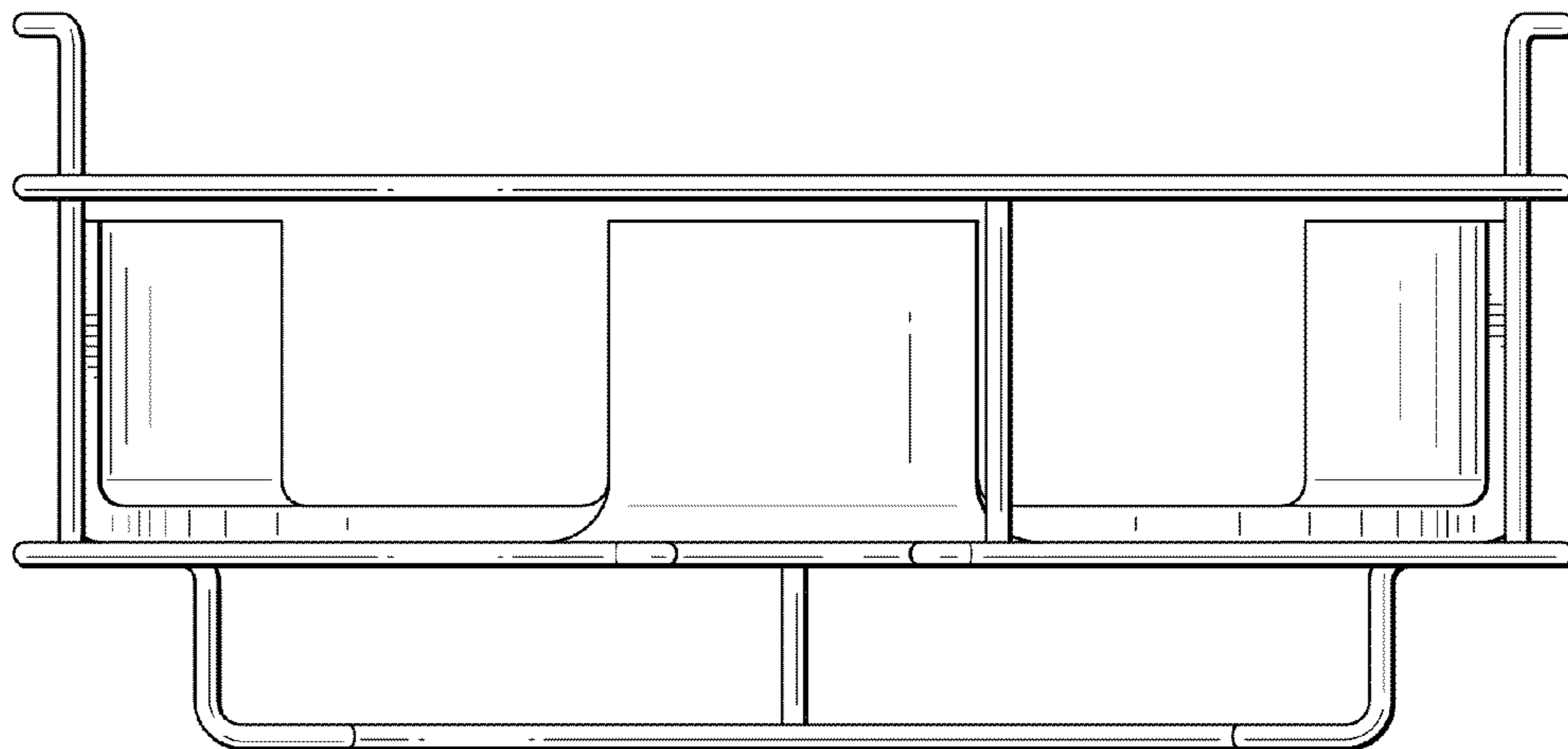


FIG. 3

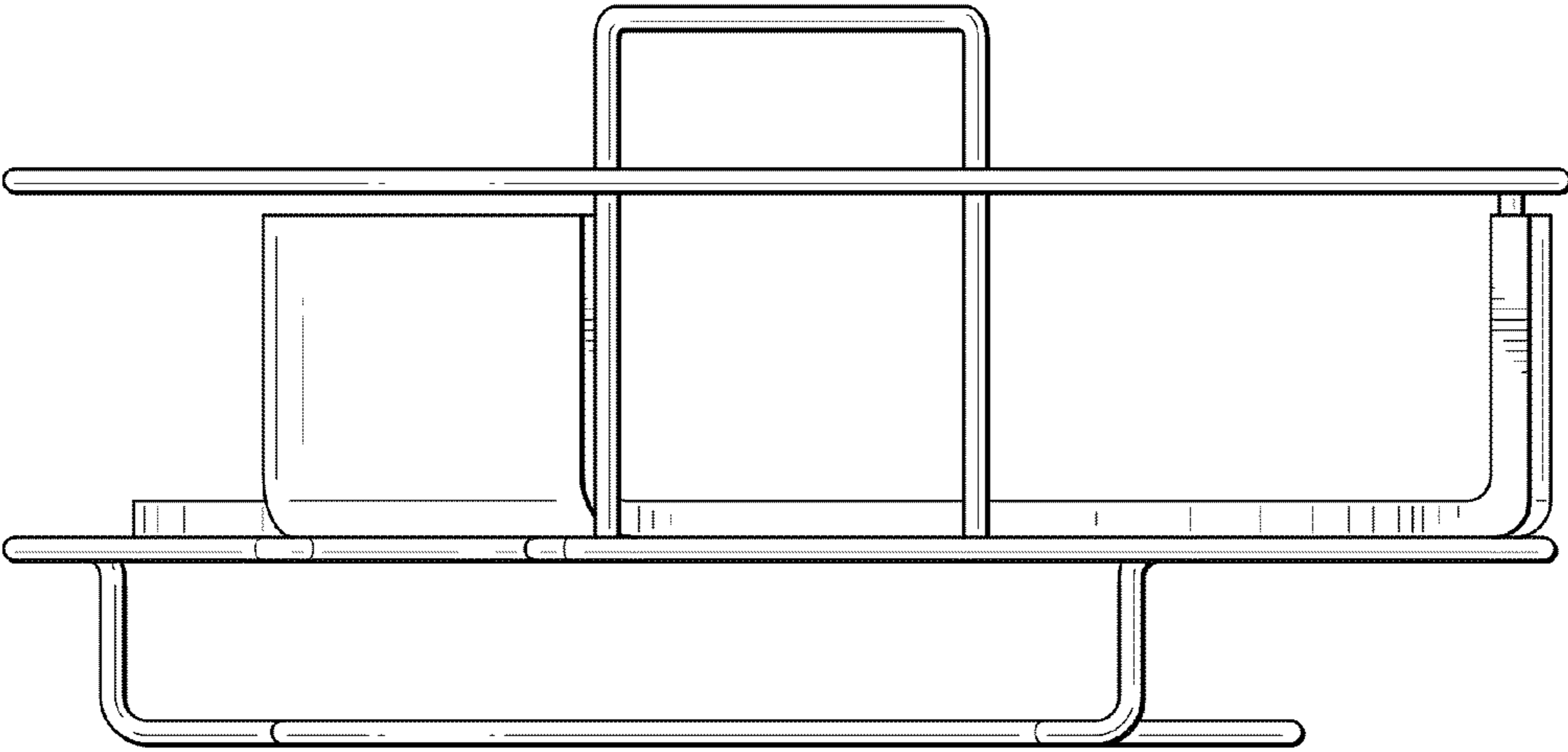


FIG. 4

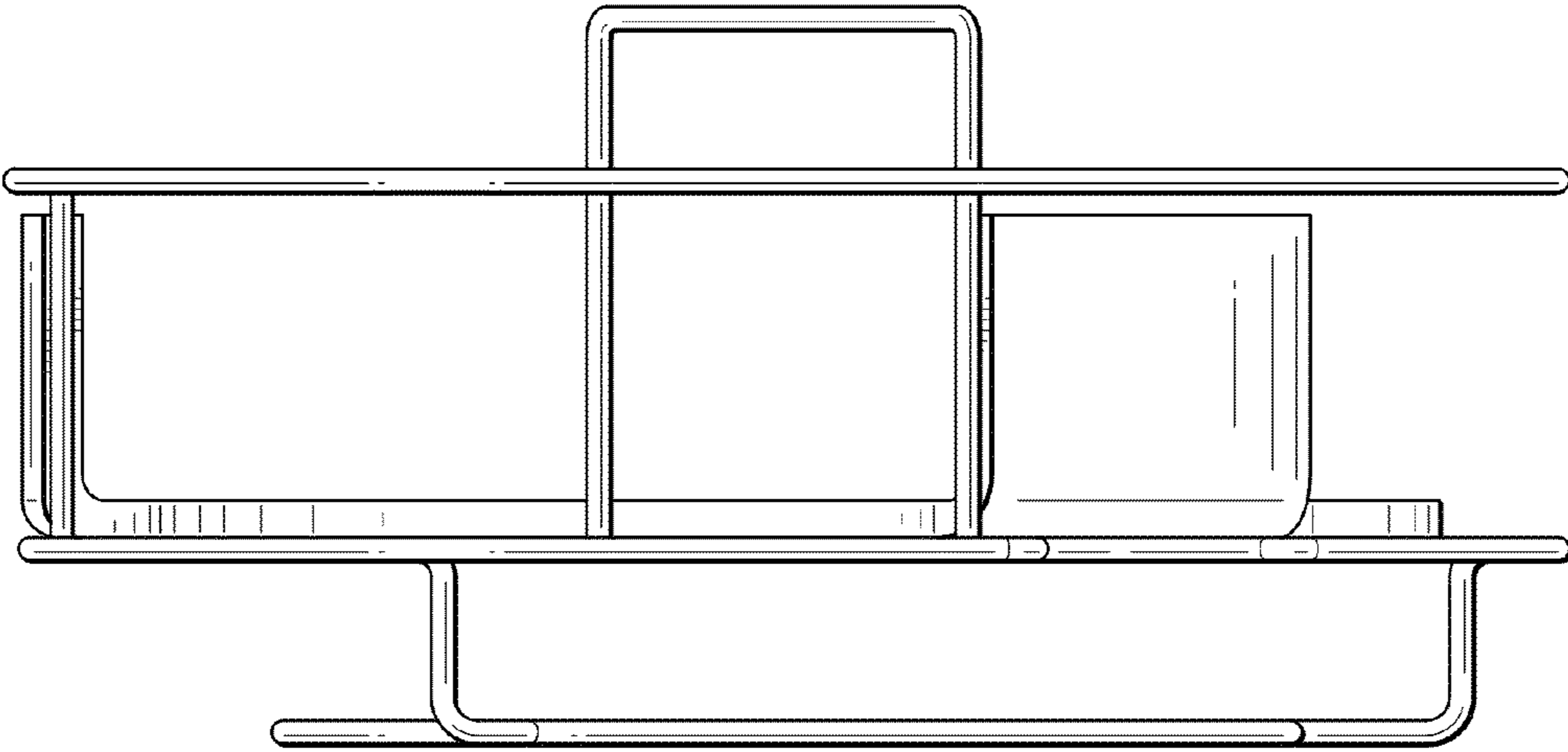


FIG. 5

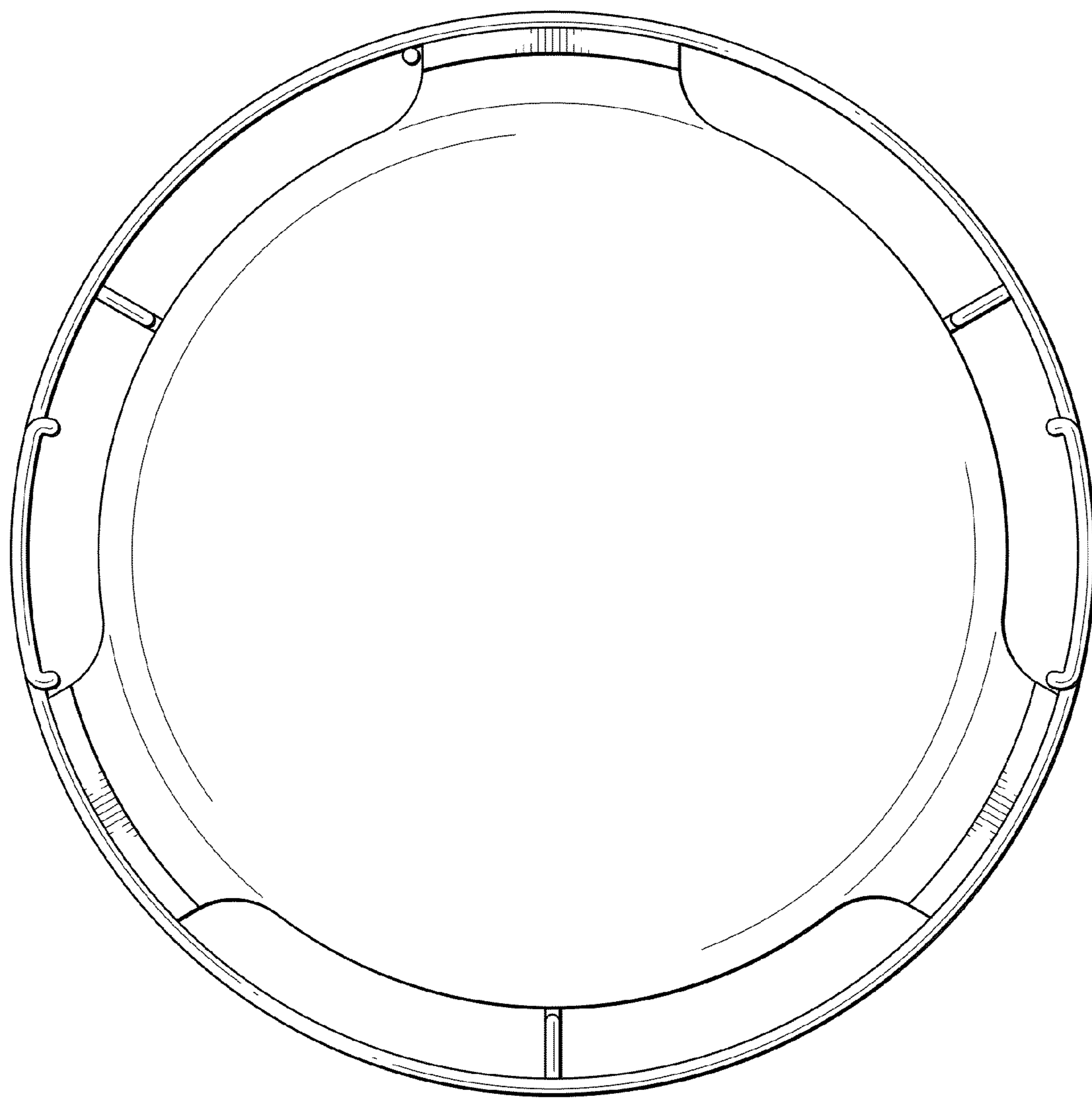


FIG. 6

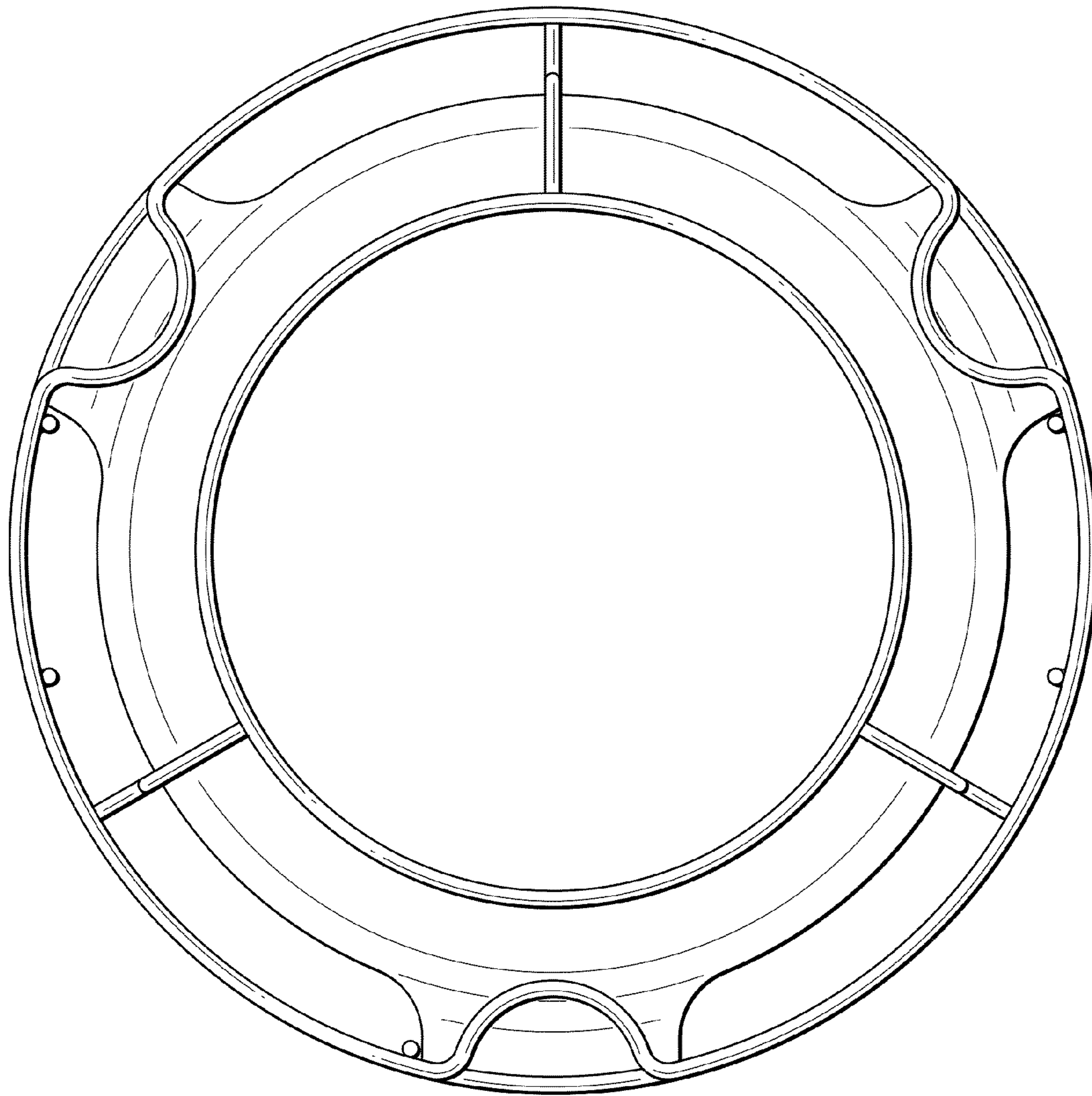


FIG. 7