

US00D734092S

(12) **United States Design Patent**  
**Kristinik**

(10) **Patent No.:** **US D734,092 S**  
(45) **Date of Patent:** **\*\* Jul. 14, 2015**

- (54) **LID INCLUDING SLIDING SEAL**
- (71) Applicant: **Elgin R. Kristinik**, Schulenburg, TX (US)
- (72) Inventor: **Elgin R. Kristinik**, Schulenburg, TX (US)
- (73) Assignee: **KFS Marketing, Inc.**, Schulenburg, TX (US)
- (\*\*) Term: **14 Years**
- (21) Appl. No.: **29/463,307**
- (22) Filed: **Oct. 8, 2013**
- (51) **LOC (10) Cl.** ..... **07-01**
- (52) **U.S. Cl.**  
USPC ..... **D7/392.1**
- (58) **Field of Classification Search**  
USPC ..... D7/319, 323, 391, 392, 392.1, 393, D7/396.2, 397, 399, 443, 447, 449, 509, D7/510, 511, 629; D9/440, 443, 447, 450, D9/451, 452, 453, 503, 504, 523, 527, 552, D9/561, 761; 220/254.8, 700, 703, 711, 220/715; D23/207, 209; 222/465.1, 475.1; 215/11.1, 41, 387, 388  
CPC ..... A47G 19/2272  
See application file for complete search history.

- D691,414 S \* 10/2013 Trombly ..... D7/392.1
- 8,844,761 B2 \* 9/2014 Zabaleta et al. .... 220/711
- D720,616 S \* 1/2015 Lam ..... D9/447
- D722,498 S \* 2/2015 Fleming ..... D9/447
- 2015/0021345 A1 \* 1/2015 Wu ..... 220/715

\* cited by examiner

*Primary Examiner* — Robert M Spear

*Assistant Examiner* — Kendra L Hamilton

(74) *Attorney, Agent, or Firm* — Christopher L. Makay

(57) **CLAIM**

The ornamental design for a lid including sliding seal, as shown and described.

**DESCRIPTION**

FIG. 1 is perspective view illustrating a lid including sliding seal according to my new design with the sliding seal in its closed position;

FIG. 2 is perspective view thereof with the sliding seal in its open position;

FIG. 3 is a front view thereof;

FIG. 4 is a side view thereof;

FIG. 5 is a rear view thereof;

FIG. 6 is a top view thereof with the sliding seal in its closed position;

FIG. 7 is a bottom view thereof with the sliding seal in its closed position;

FIG. 8 is a cross-sectional view thereof taken along line 8-8 of FIG. 6;

FIG. 9 is a cross-sectional view thereof taken along line 9-9 of FIG. 6;

FIG. 10 is perspective view thereof with the sliding seal removed;

FIG. 11 is a top perspective view illustrating the sliding seal, shown removed from the lid for clarity of disclosure; and,

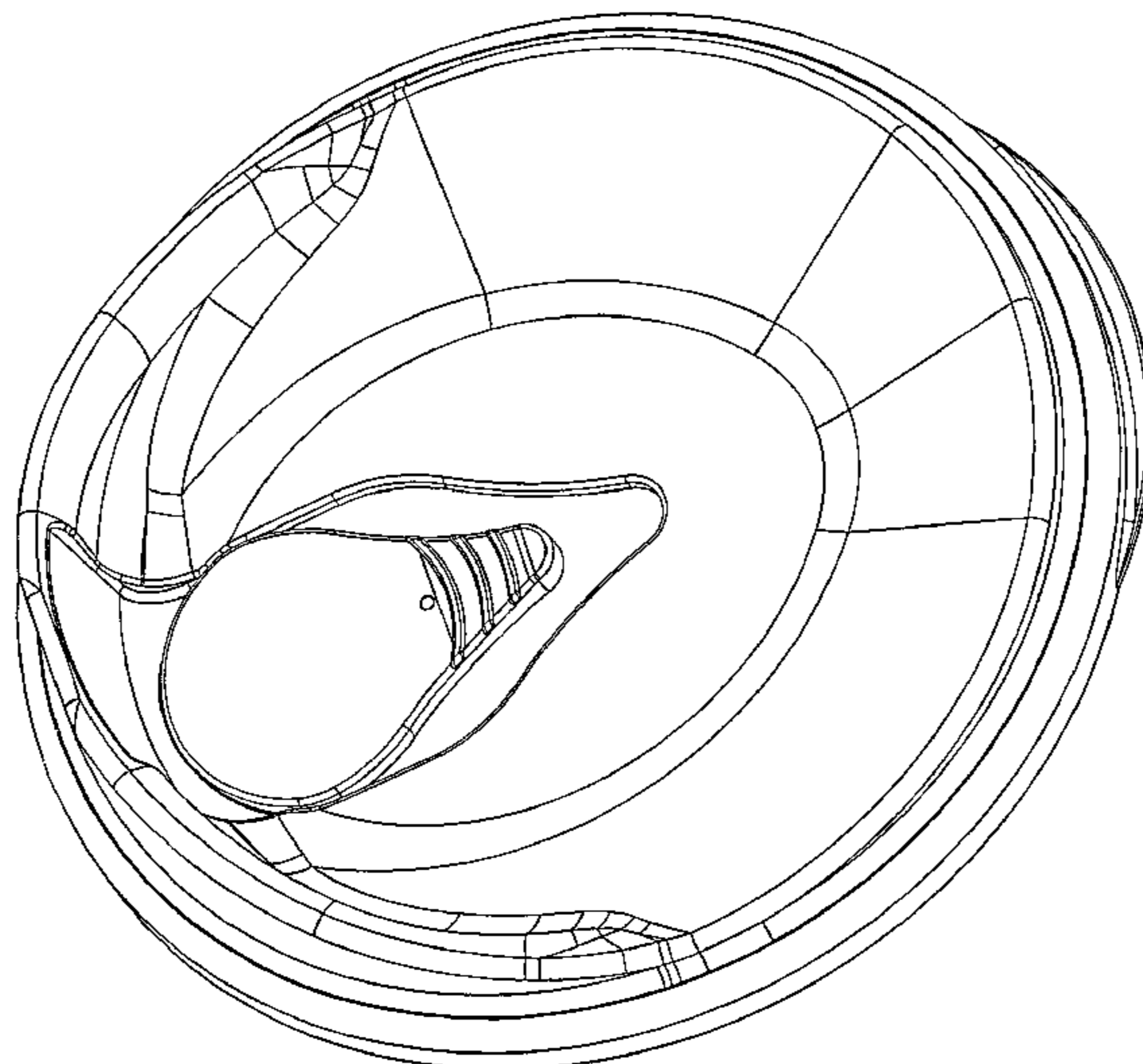
FIG. 12 is a bottom perspective view illustrating the sliding seal, shown removed from the lid for clarity of disclosure.

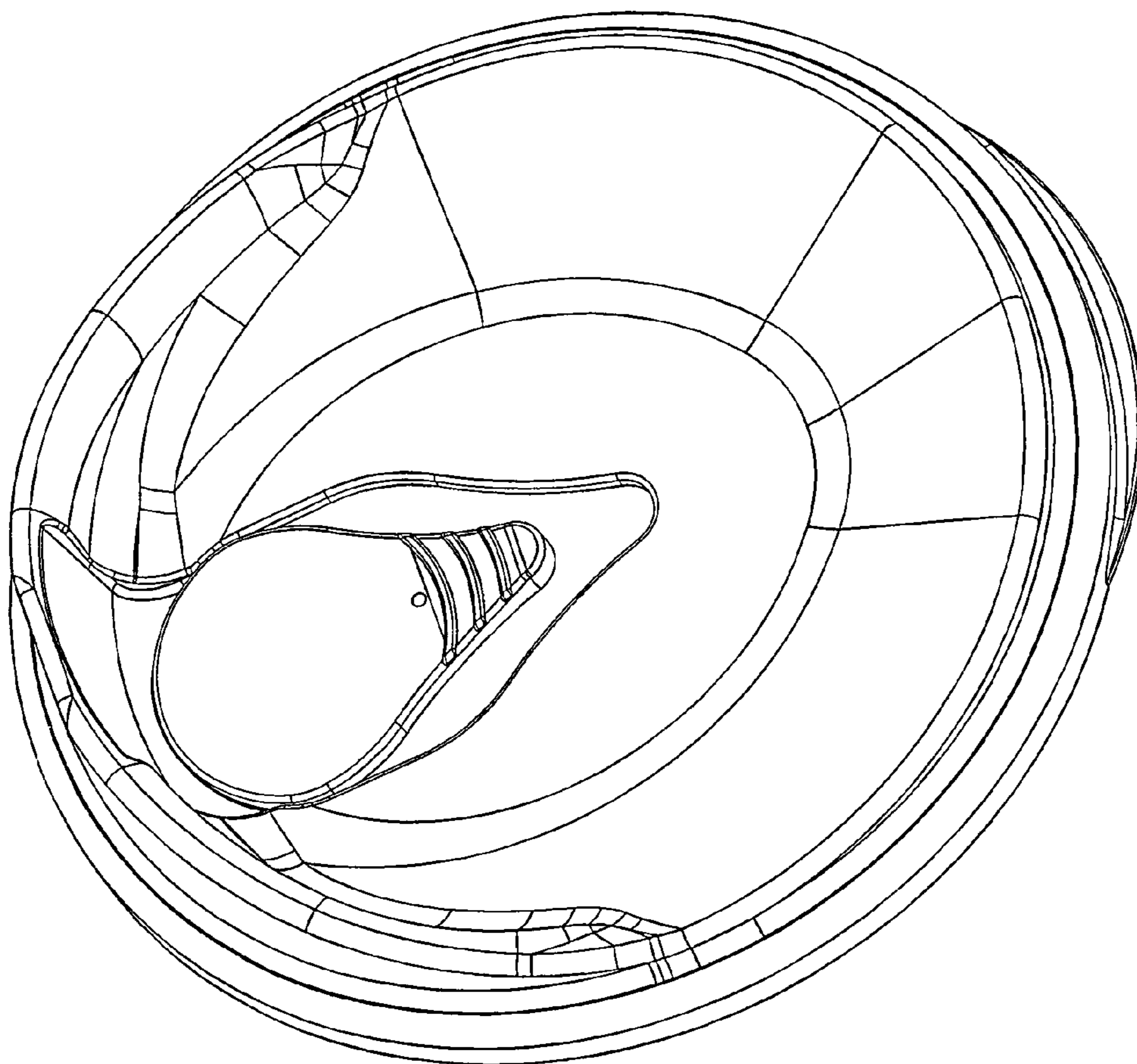
(56) **References Cited**

**U.S. PATENT DOCUMENTS**

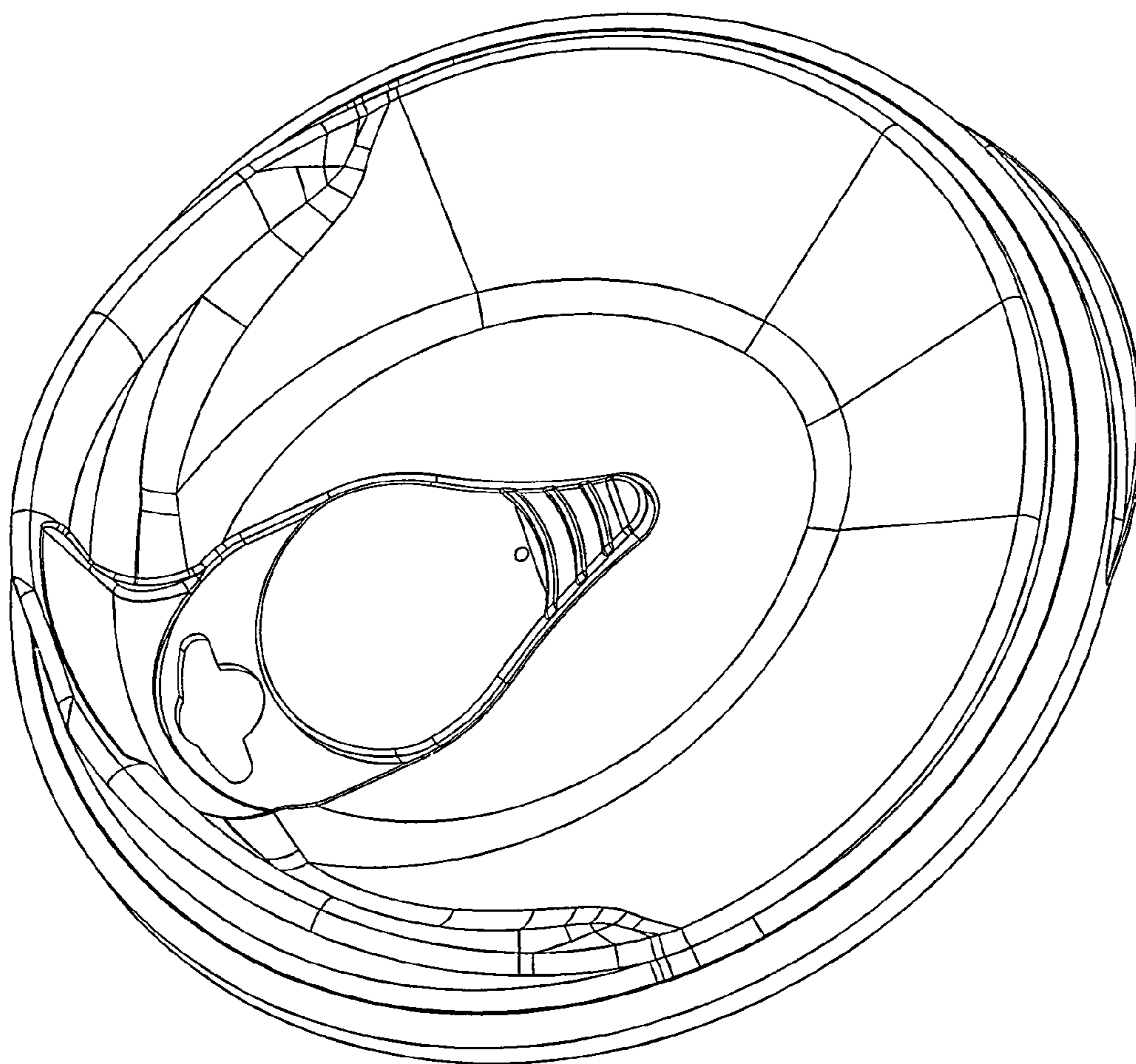
- 4,267,938 A \* 5/1981 Debenham et al. .... 220/268
- D490,272 S \* 5/2004 Rohe ..... D7/510
- 6,752,287 B1 \* 6/2004 Lin ..... 220/254.9
- D502,844 S \* 3/2005 Rohe ..... D7/510
- D506,639 S \* 6/2005 Jalet ..... D7/392
- D618,050 S \* 6/2010 Eisenhardt ..... D7/392.1
- D677,122 S \* 3/2013 Liu ..... D7/510

**1 Claim, 10 Drawing Sheets**

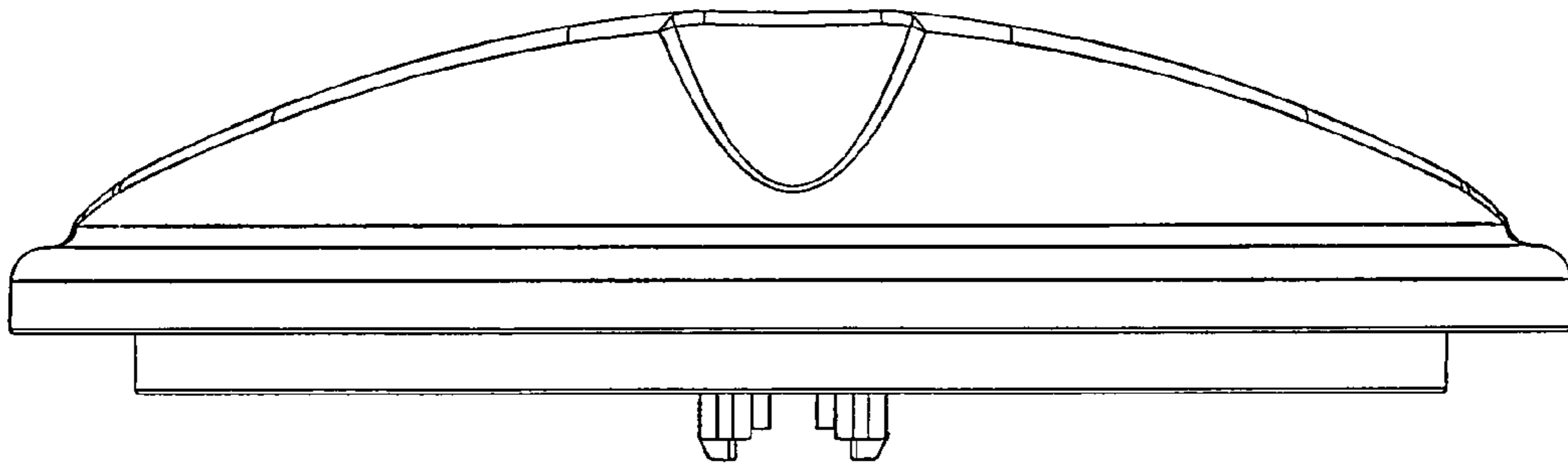




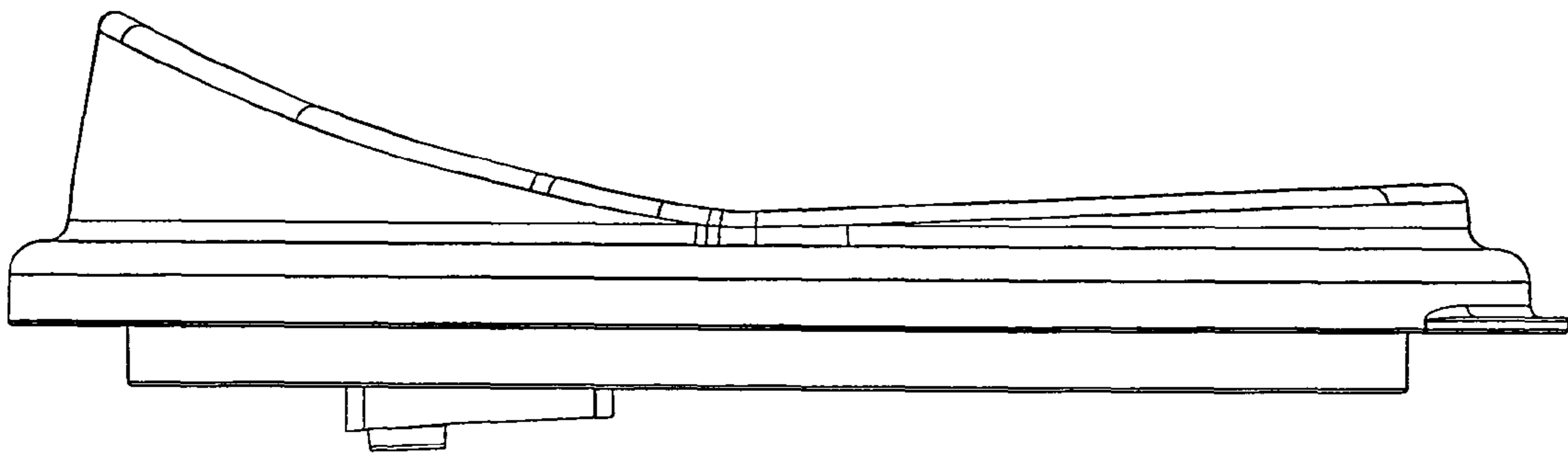
**FIG. 1**



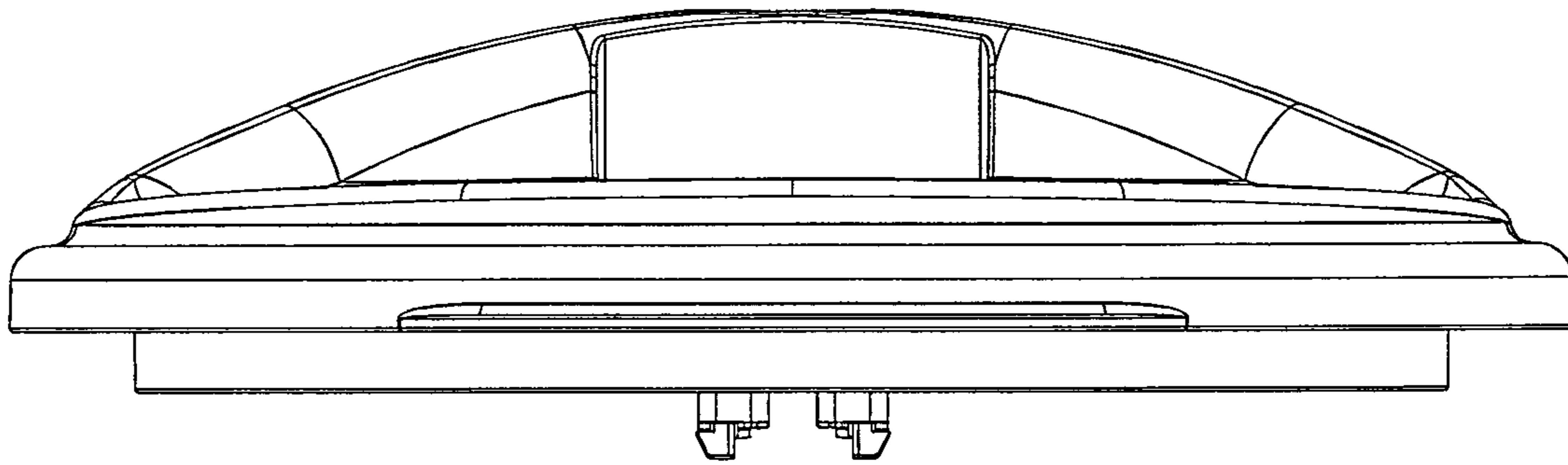
**FIG. 2**



**FIG. 3**



**FIG. 4**



*FIG. 5*

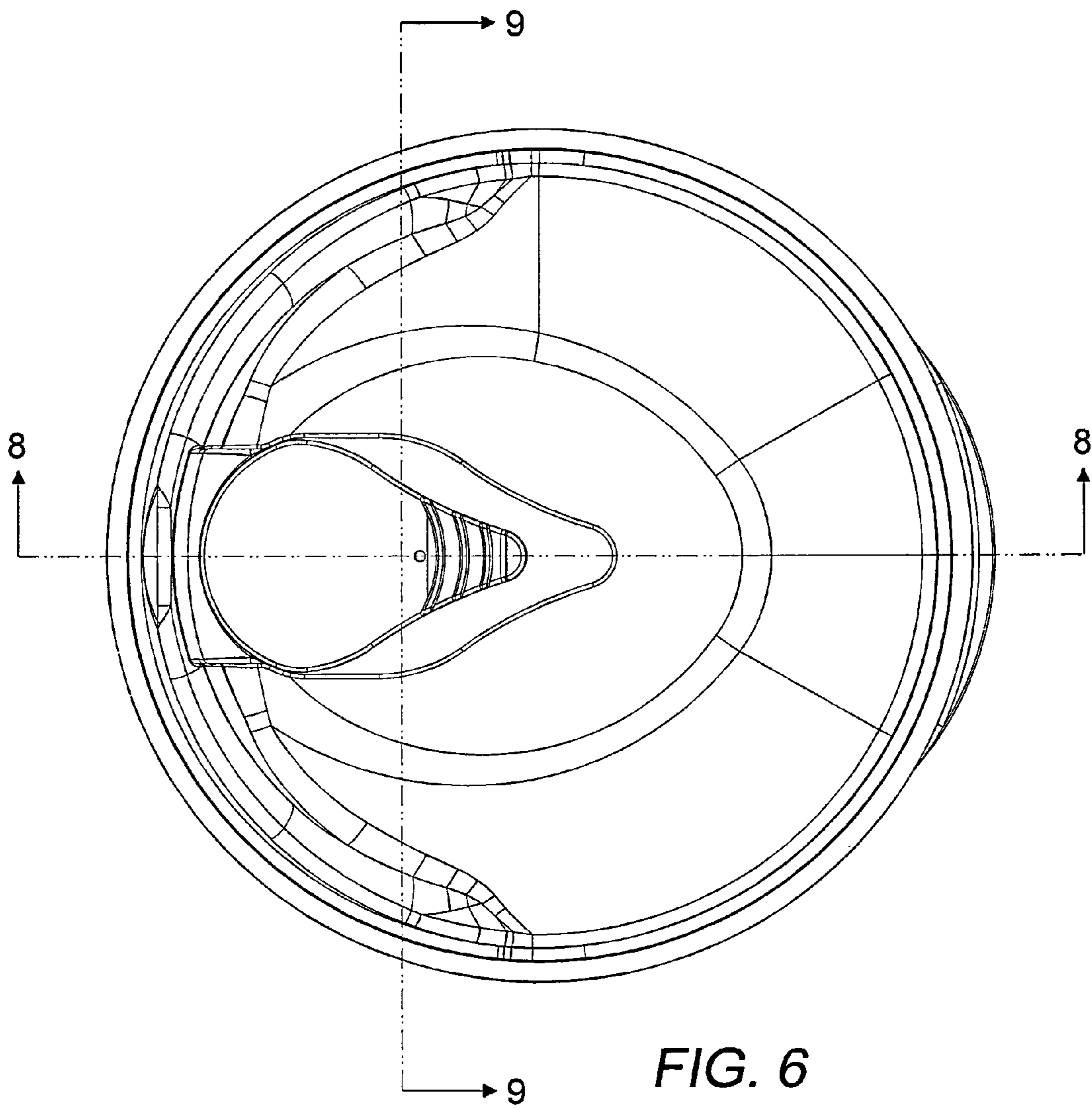


FIG. 6

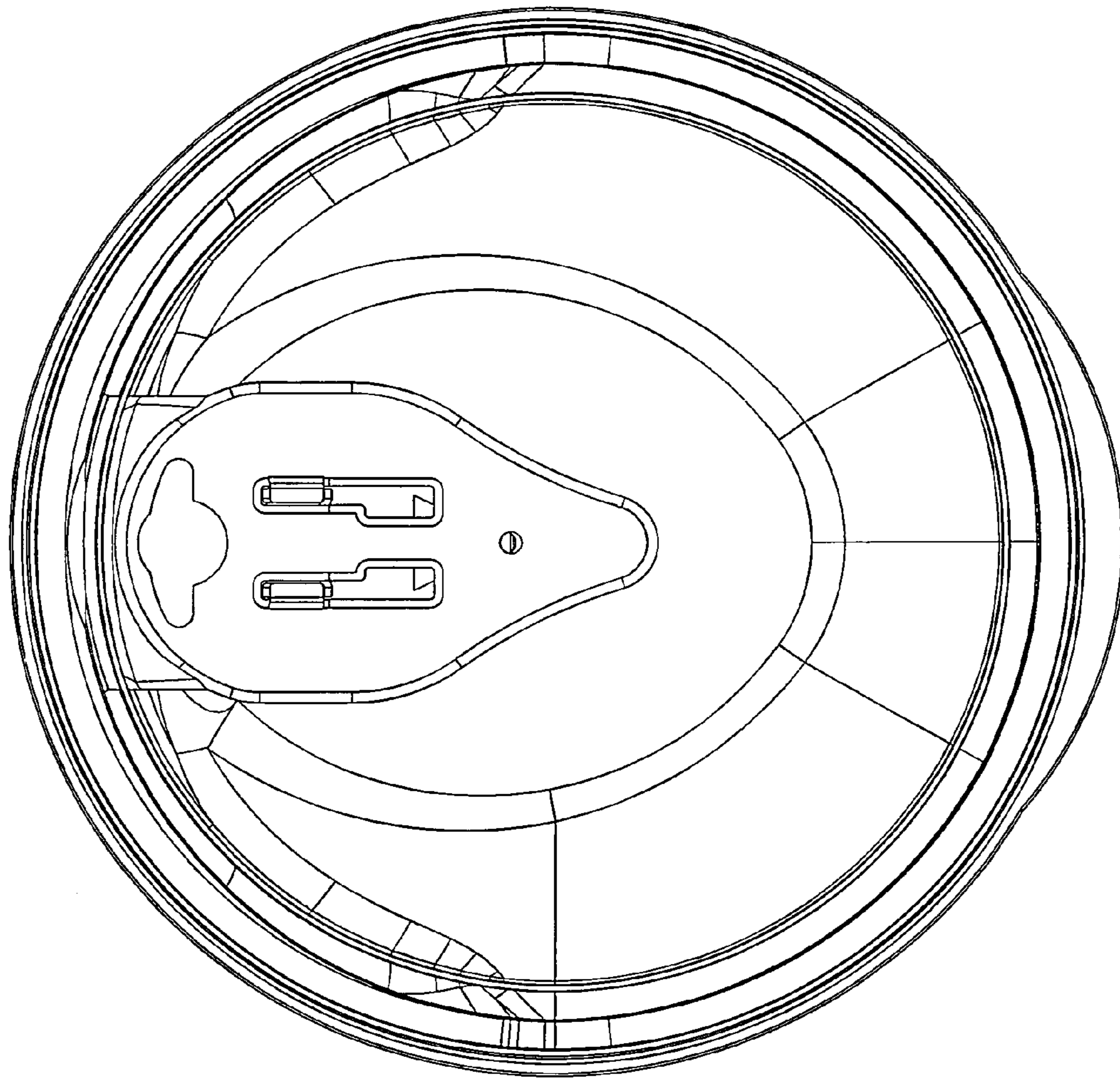
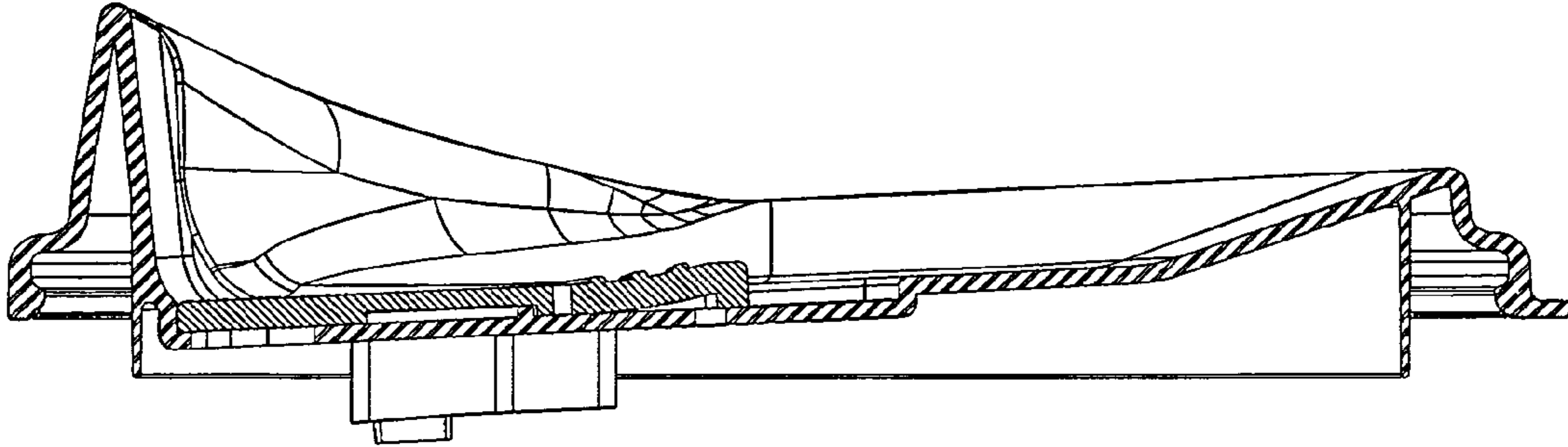
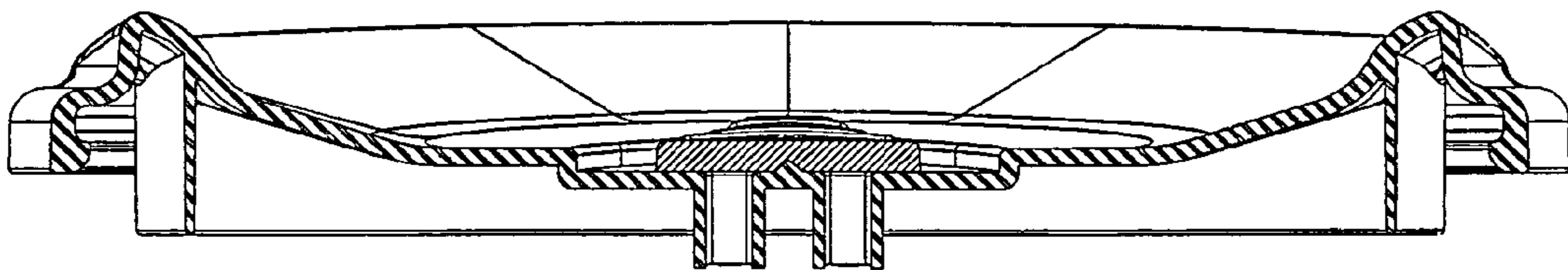


FIG. 7

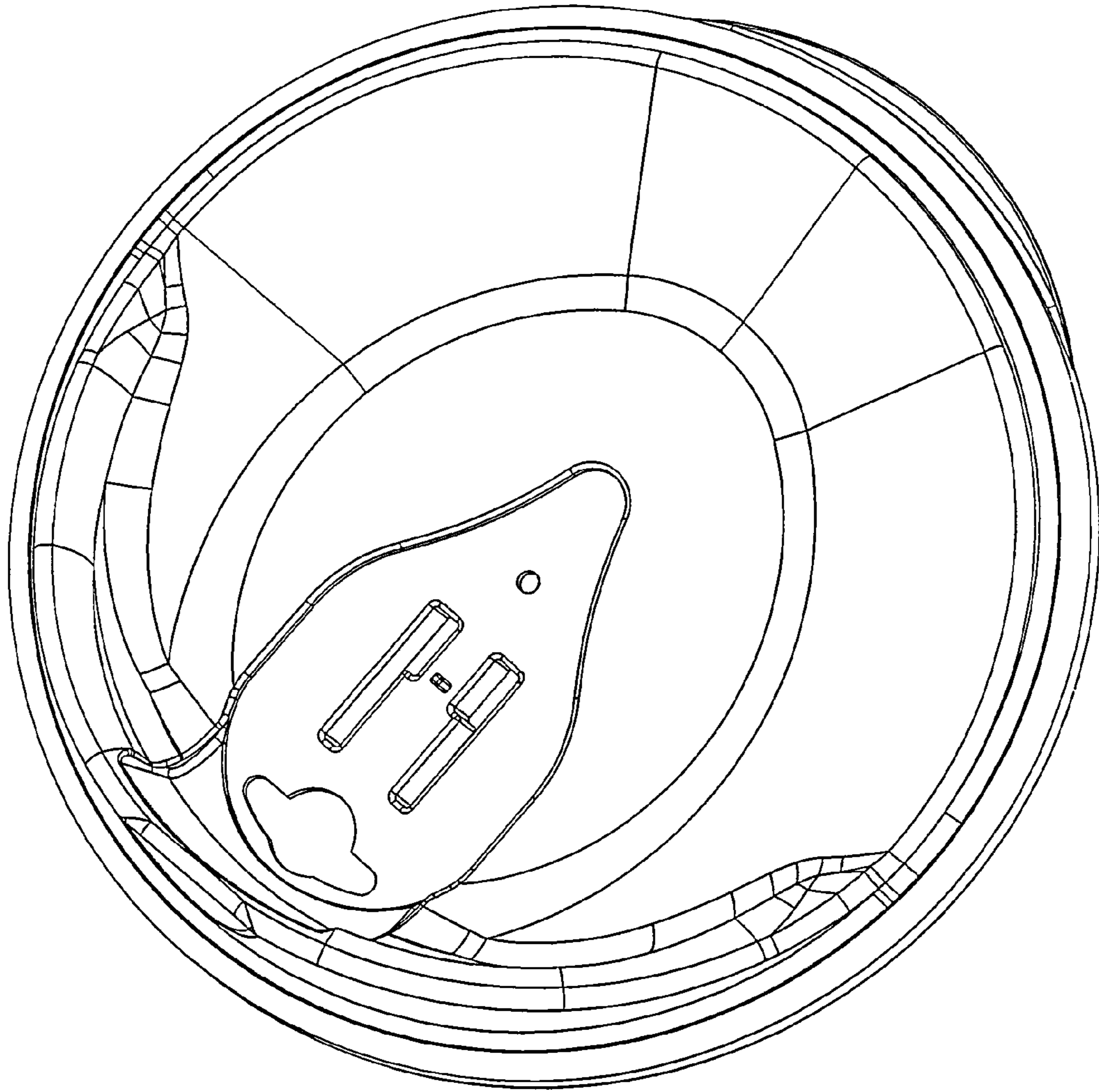




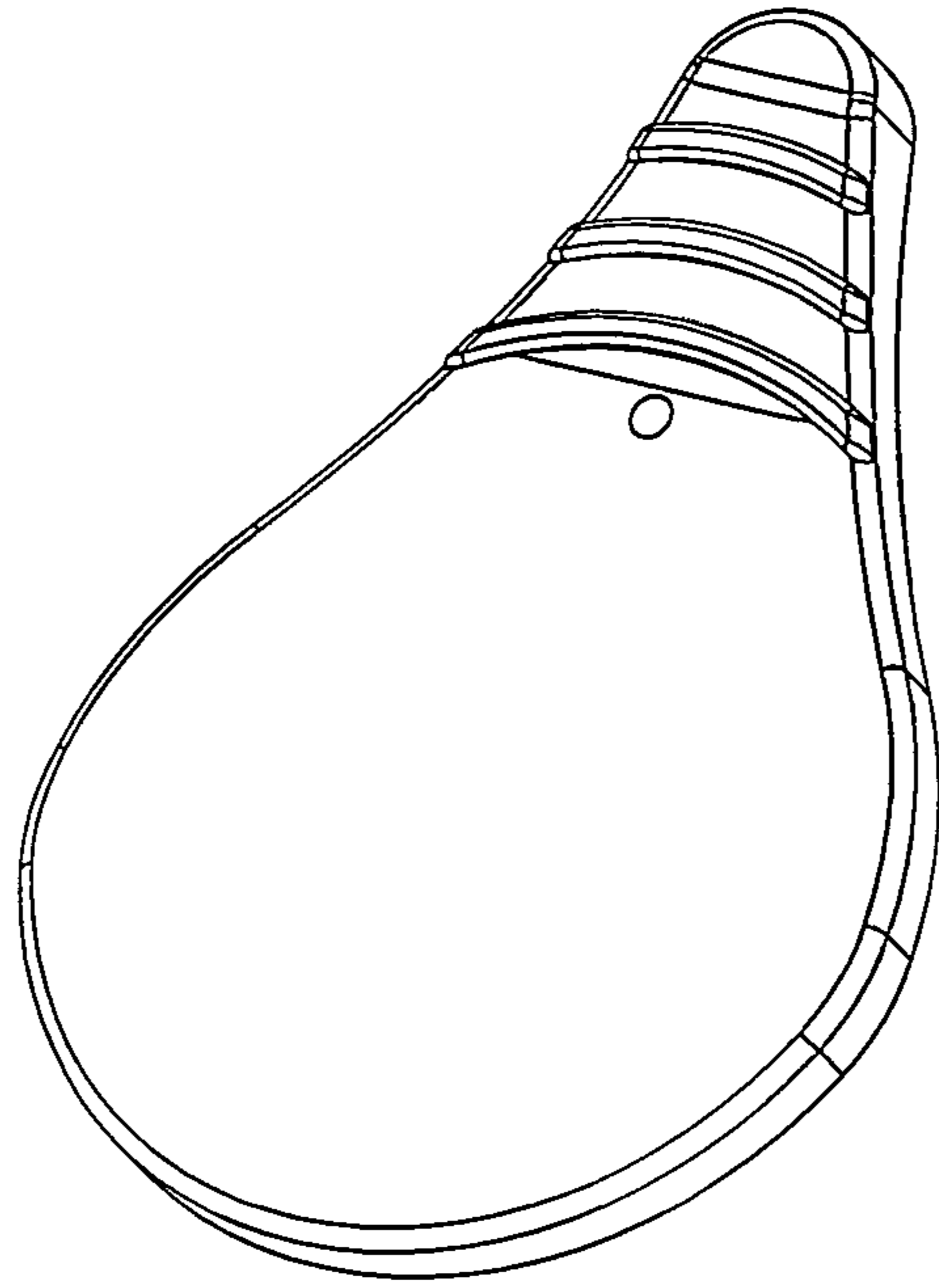
*FIG. 8*



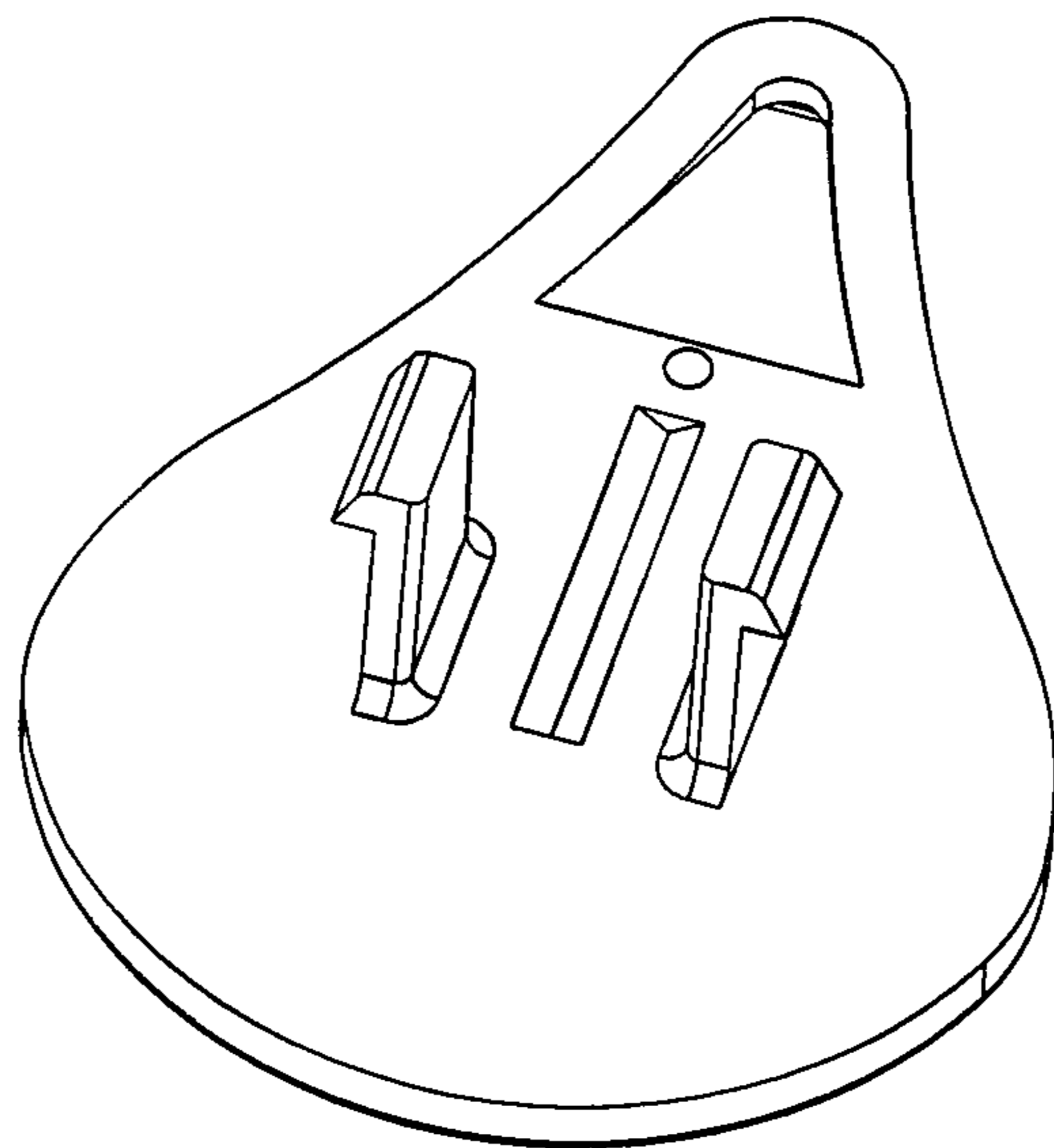
*FIG. 9*



**FIG. 10**



**FIG. 11**



**FIG. 12**