



US00D734090S

(12) **United States Design Patent**  
**Bourbeau**

(10) **Patent No.:** **US D734,090 S**  
(45) **Date of Patent:** **\*\* Jul. 14, 2015**

(54) **UTENSIL HANDLE**

(71) Applicant: **LES PROMOTIONS ATLANTIQUES INC/ATLANTIC PROMOTIONS INC**, Longueuil (CA)

(72) Inventor: **Nicolas Bourbeau**, Lachine (CA)

(73) Assignee: **Les Promotions Atlantiques Inc/Atlantic Promotions Inc.**, Longueuil, CA (US)

(\*\*) Term: **14 Years**

(21) Appl. No.: **29/472,129**

(22) Filed: **Nov. 8, 2013**

**Related U.S. Application Data**

(62) Division of application No. 29/404,228, filed on Oct. 18, 2011, now Pat. No. Des. 696,059.

(30) **Foreign Application Priority Data**

Apr. 18, 2011 (CA) ..... 140222

(51) **LOC (10) Cl.** ..... **07-02**

(52) **U.S. Cl.**  
USPC ..... **D7/361; D7/354**

(58) **Field of Classification Search**  
USPC ..... D7/323, 354–363, 391, 393–396, 401.2, D7/409; 30/324; 99/324, 331, 336, 99/339–340, 402–403, 423–426, 99/444–445; 126/373.1, 383.1–384.1, 126/390.1; 219/438–439, 620–622; 220/573.1–573.5, 752–753, 755–759, 220/912; 222/465.1, 470, 475.1  
CPC ..... A47G 19/12; A47J 27/00; A47J 27/002; A47J 27/08; A47J 27/21; A47J 27/58; A47J 36/025; A47J 36/06; A47J 36/12; A47J 37/00; A47J 37/10; A47J 37/101; A47J 37/103; A47J 37/12; A47J 37/1204; A47J 43/285; A47J 43/287; A47J 45/061; A47J 45/071; A47J 45/08; H05B 6/12

See application file for complete search history.

(56) **References Cited**

U.S. PATENT DOCUMENTS

5,005,294	A *	4/1991	Roberts et al.	30/324
6,032,822	A *	3/2000	Munari	220/573.1
D426,748	S *	6/2000	Chau	D7/401.2
D443,177	S *	6/2001	Kaposi	D7/401.2
D482,233	S *	11/2003	Rae	D7/393
D494,008	S *	8/2004	Prommel et al.	D7/395
D560,428	S *	1/2008	Prakasa et al.	D7/395
D596,897	S *	7/2009	Tetreault et al.	D7/395
D693,627	S *	11/2013	Moon et al.	D7/361
D693,638	S *	11/2013	Sweet et al.	D7/395
D696,059	S *	12/2013	Bourbeau	D7/361
8,746,497	B2 *	6/2014	Bourbeau et al.	220/756
D714,585	S *	10/2014	Genatossio	D7/395

\* cited by examiner

*Primary Examiner* — Ricky Pham

(74) *Attorney, Agent, or Firm* — SmithAmundsen LLC; Kelly Smith; Dennis S. Schell

(57) **CLAIM**

The ornamental design for a utensil handle, as shown and described.

**DESCRIPTION**

FIG. 1 is a perspective view of the utensil handle in combination with the cooking pan;  
FIG. 2 is a perspective view of the first variant of the utensil handle;  
FIG. 3 is a side view of the first variant of the utensil handle;  
FIG. 4 is another side view of the first variant of the utensil handle;  
FIG. 5 is a front view of the first variant of the utensil handle;  
FIG. 6 is a rear view of the first variant of the utensil handle;  
FIG. 7 is a top view of the first variant of the utensil handle;  
FIG. 8 is a bottom view of the first variant of the utensil handle;  
FIG. 9 is a perspective view of the second variant of the utensil handle;  
FIG. 10 is a top view of the second variant of the utensil handle;

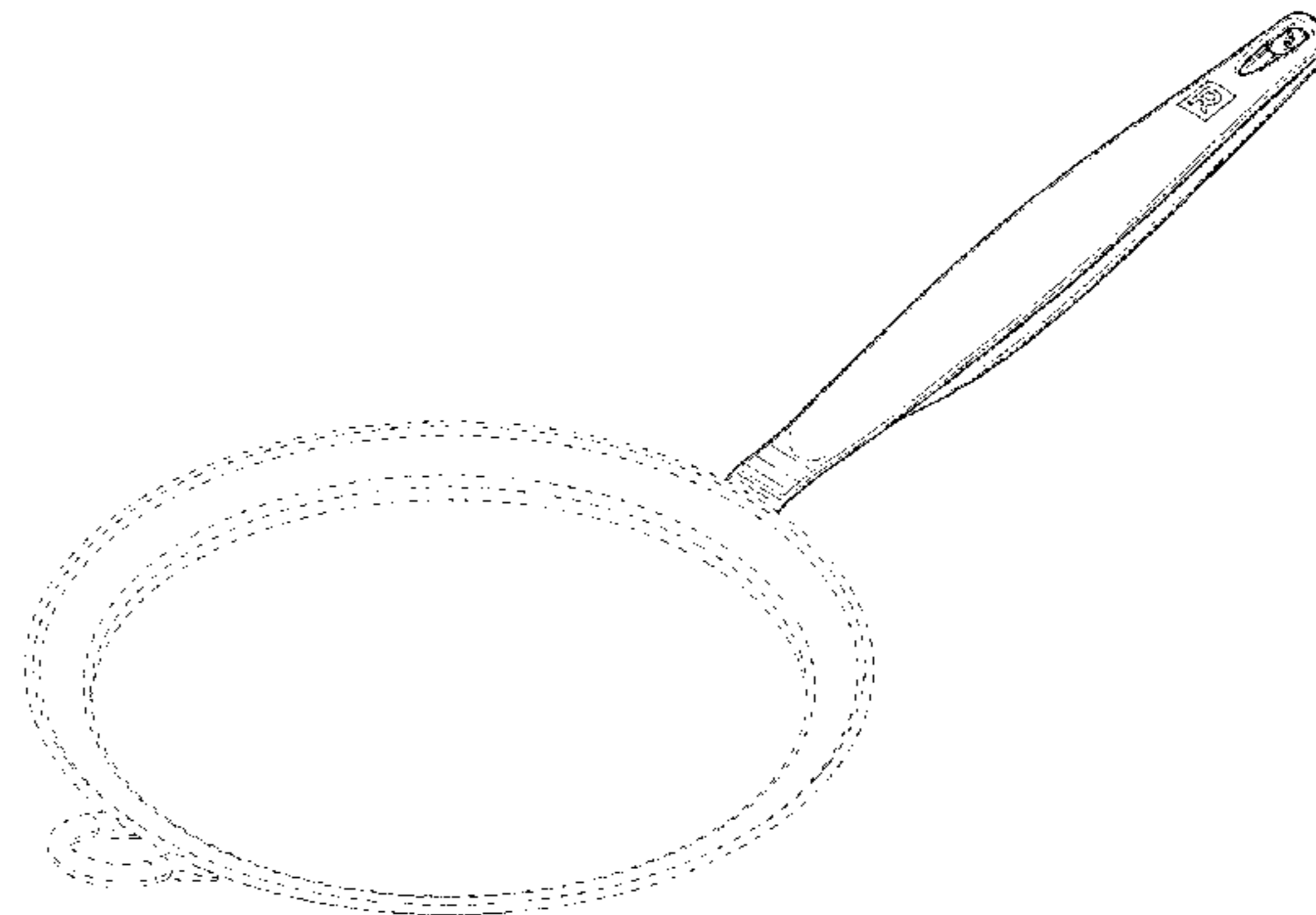
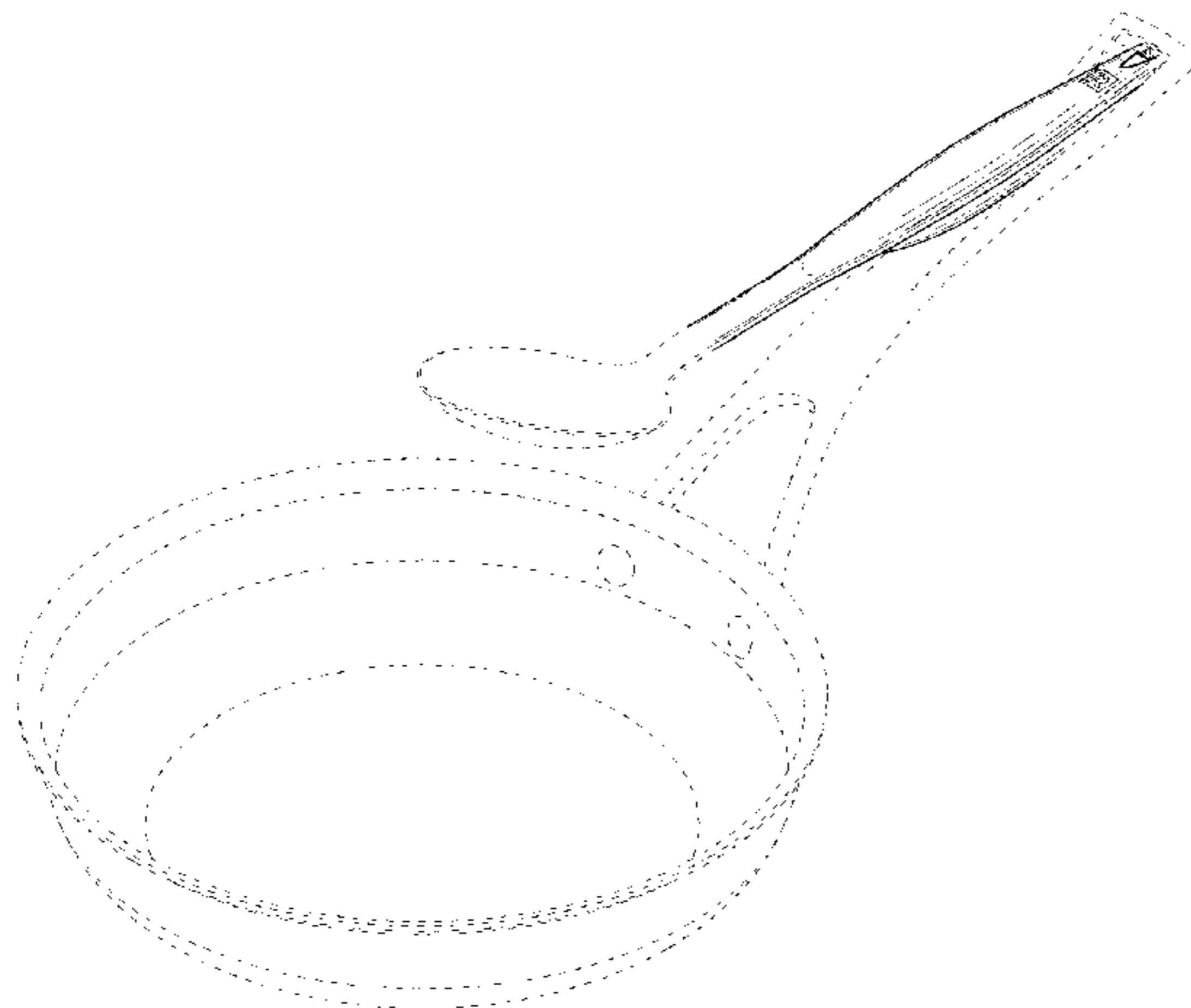


FIG. **11** is a bottom view of the second variant of the utensil handle;

FIG. **12** is a perspective view of the third variant of the utensil handle;

FIG. **13** is a side view of the third variant of the utensil handle;

FIG. **14** is another side view of the third variant of the utensil handle;

FIG. **15** is a front view of the third variant of the utensil handle;

FIG. **16** is a rear view of the third variant of the utensil handle;

FIG. **17** is a top view of the third variant of the utensil handle;

FIG. **18** is a bottom view of the third variant of the utensil handle;

FIG. **19** is a perspective view of the fourth variant of the utensil handle;

FIG. **20** is a top view of the fourth variant of the utensil handle;

FIG. **21** is a bottom view of the fourth variant of the utensil handle;

FIG. **22** is a perspective view of the fifth variant of the utensil handle;

FIG. **23** is a top view of the fifth variant of the utensil handle;

FIG. **24** is a bottom view of the fifth variant of the utensil handle;

FIG. **25** is a perspective view of the sixth variant of the utensil handle;

FIG. **26** is a top view of the sixth variant of the utensil handle;

and,  
FIG. **27** is a bottom view of the sixth variant of the utensil handle.

**1 Claim, 27 Drawing Sheets**

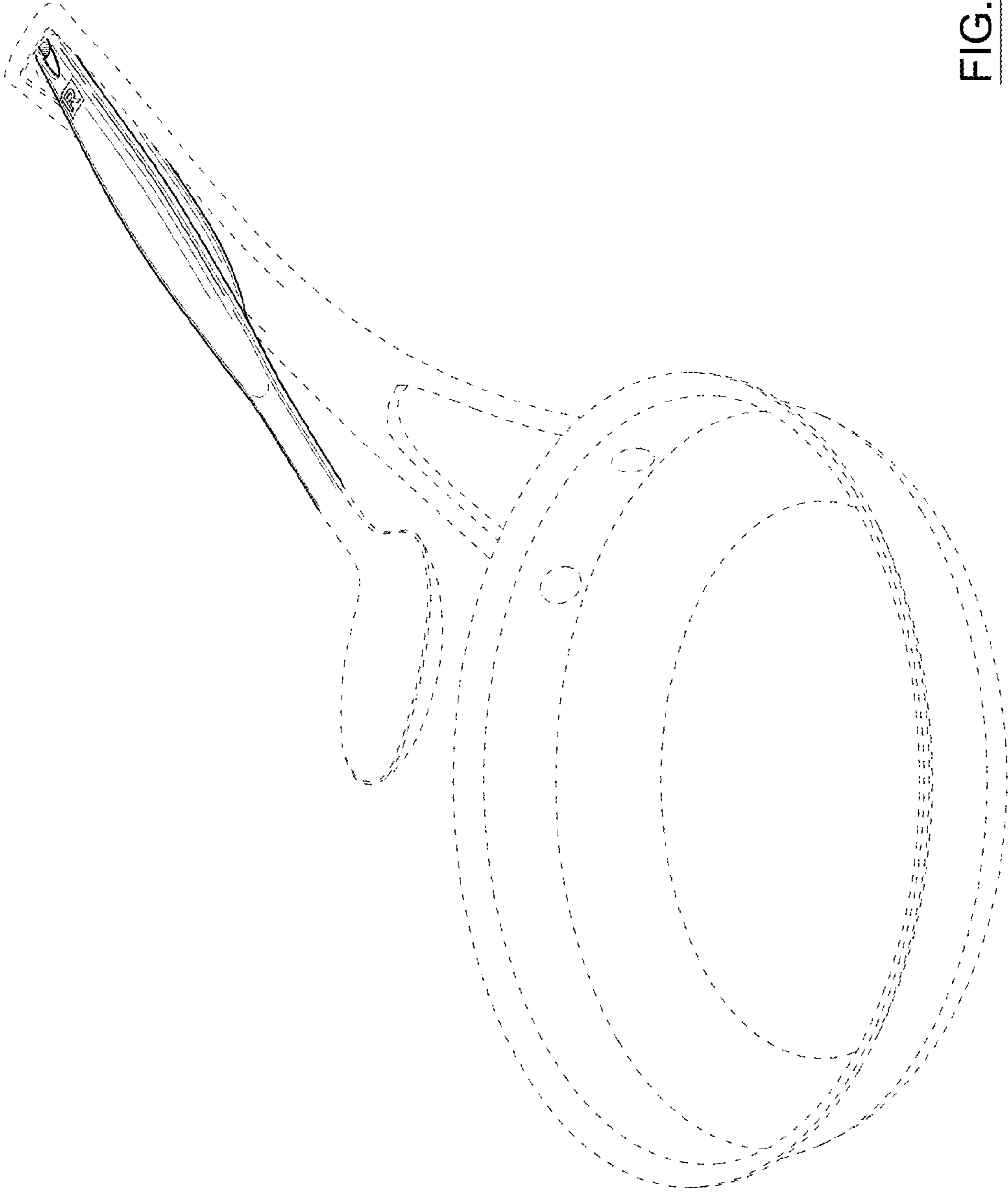


FIG. 1

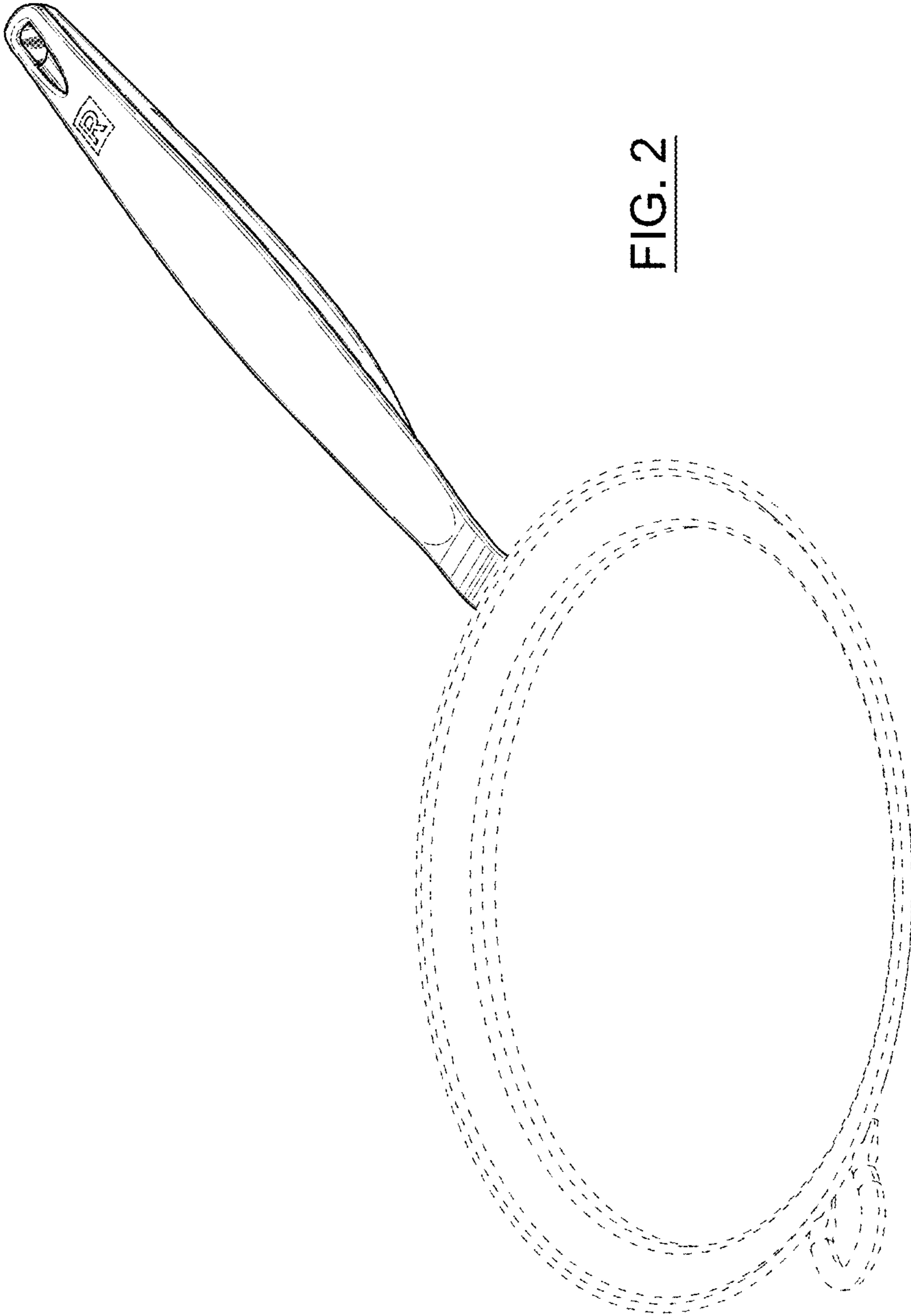


FIG. 2

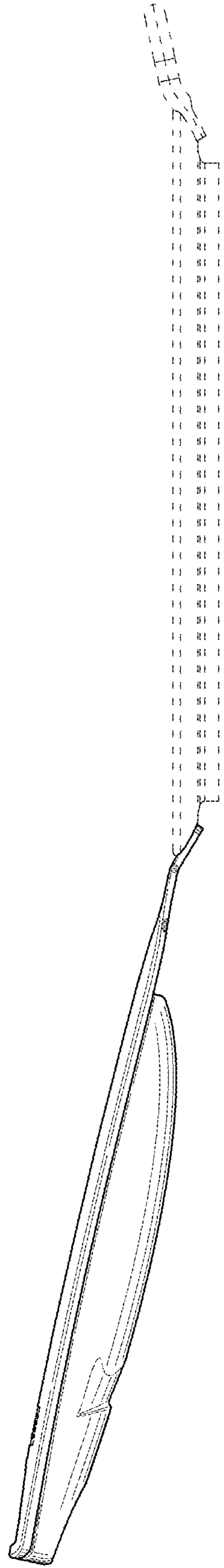


FIG. 3

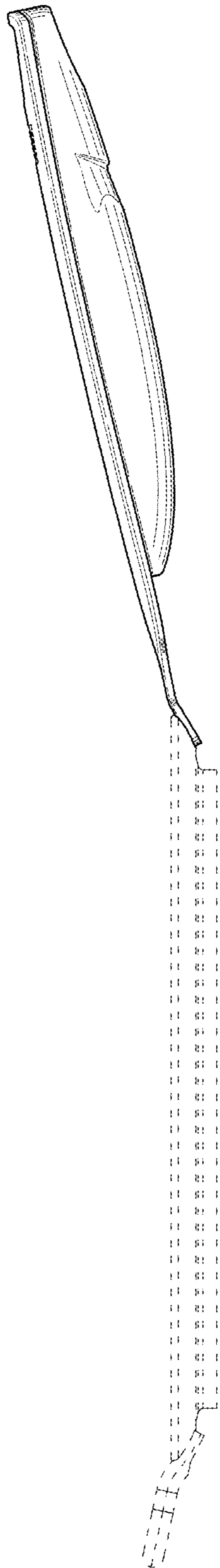


FIG. 4

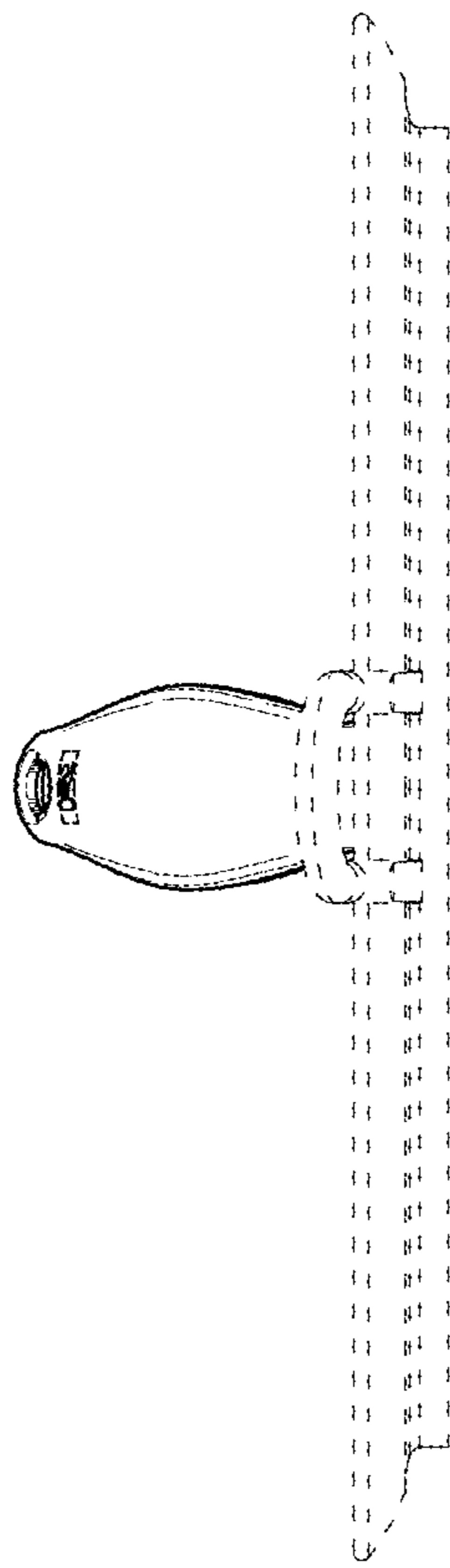


FIG. 5

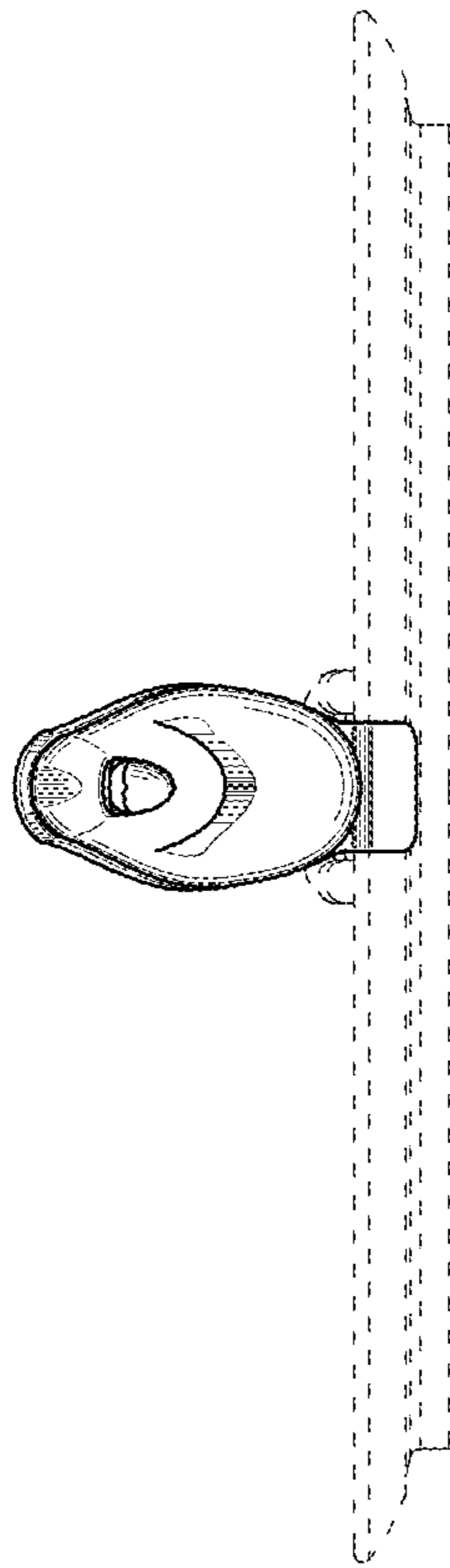


FIG. 6



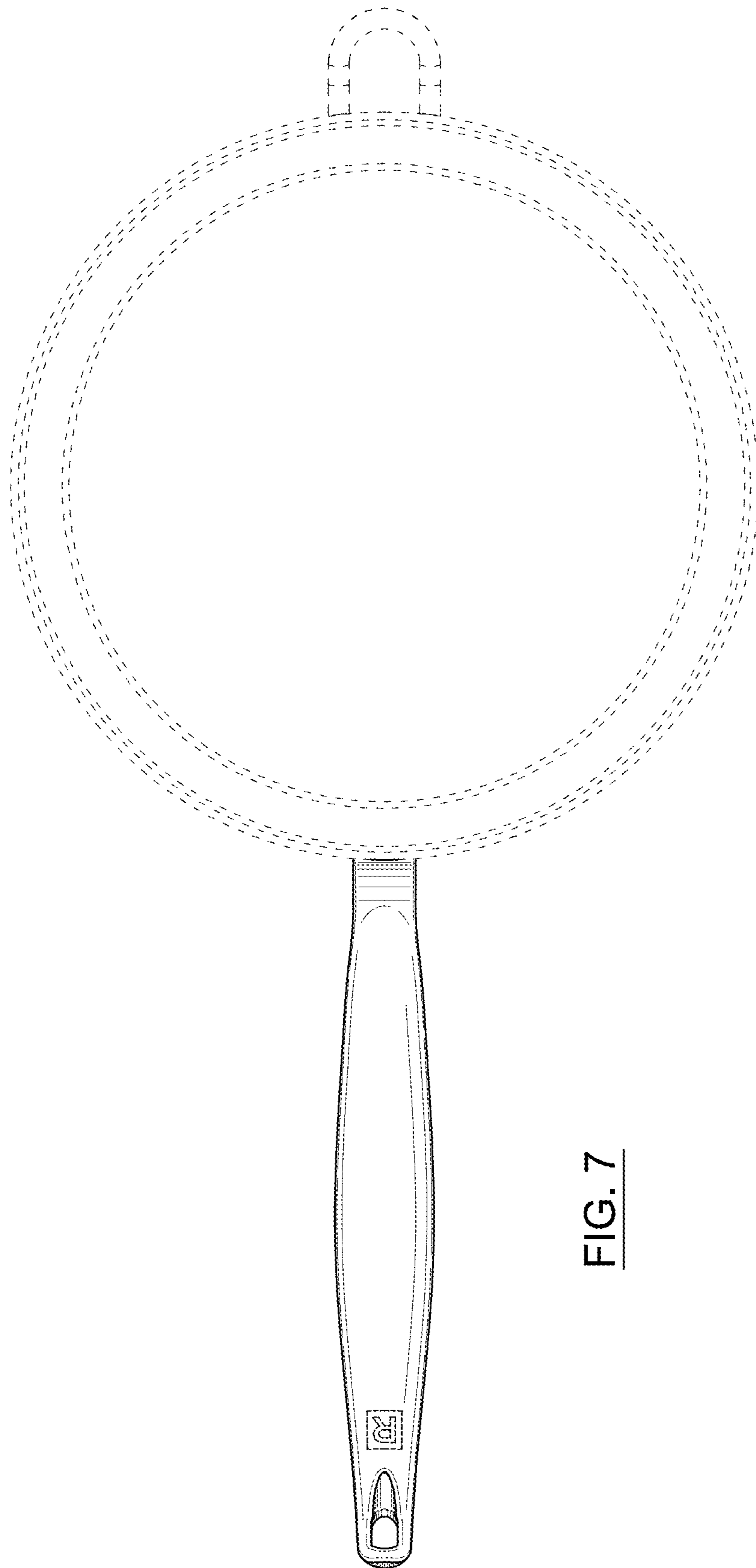


FIG. 7

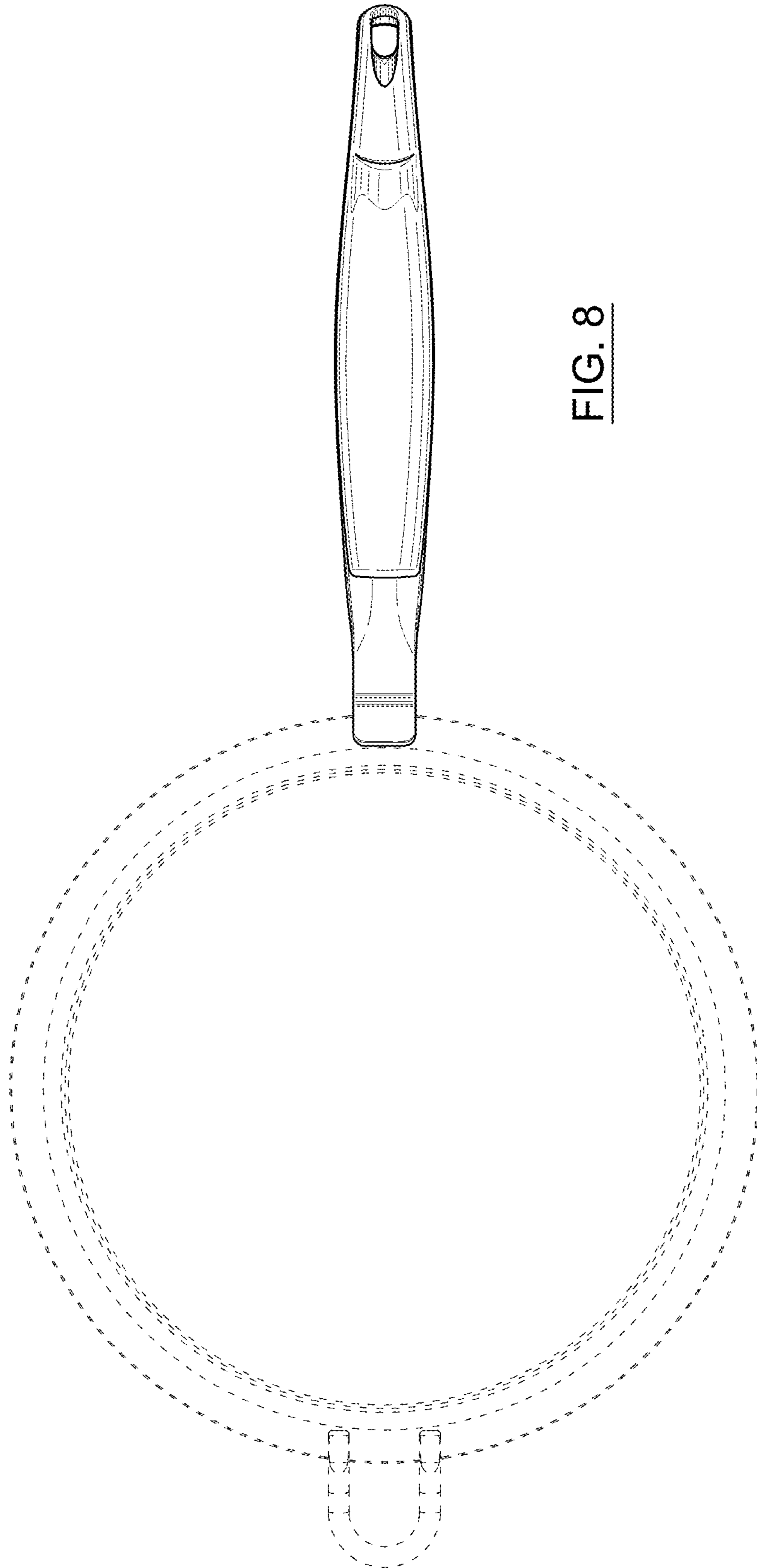


FIG. 8

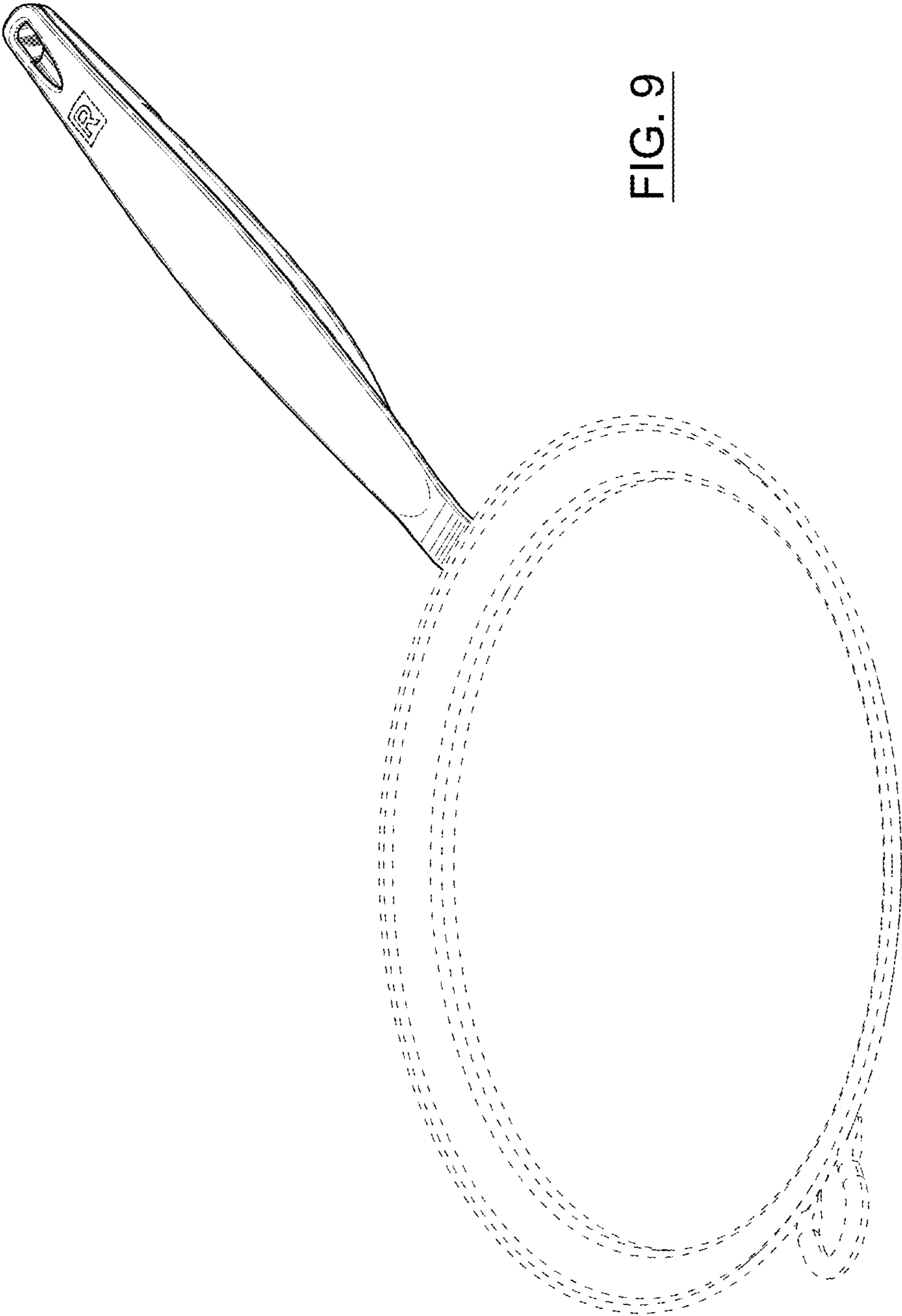


FIG. 9

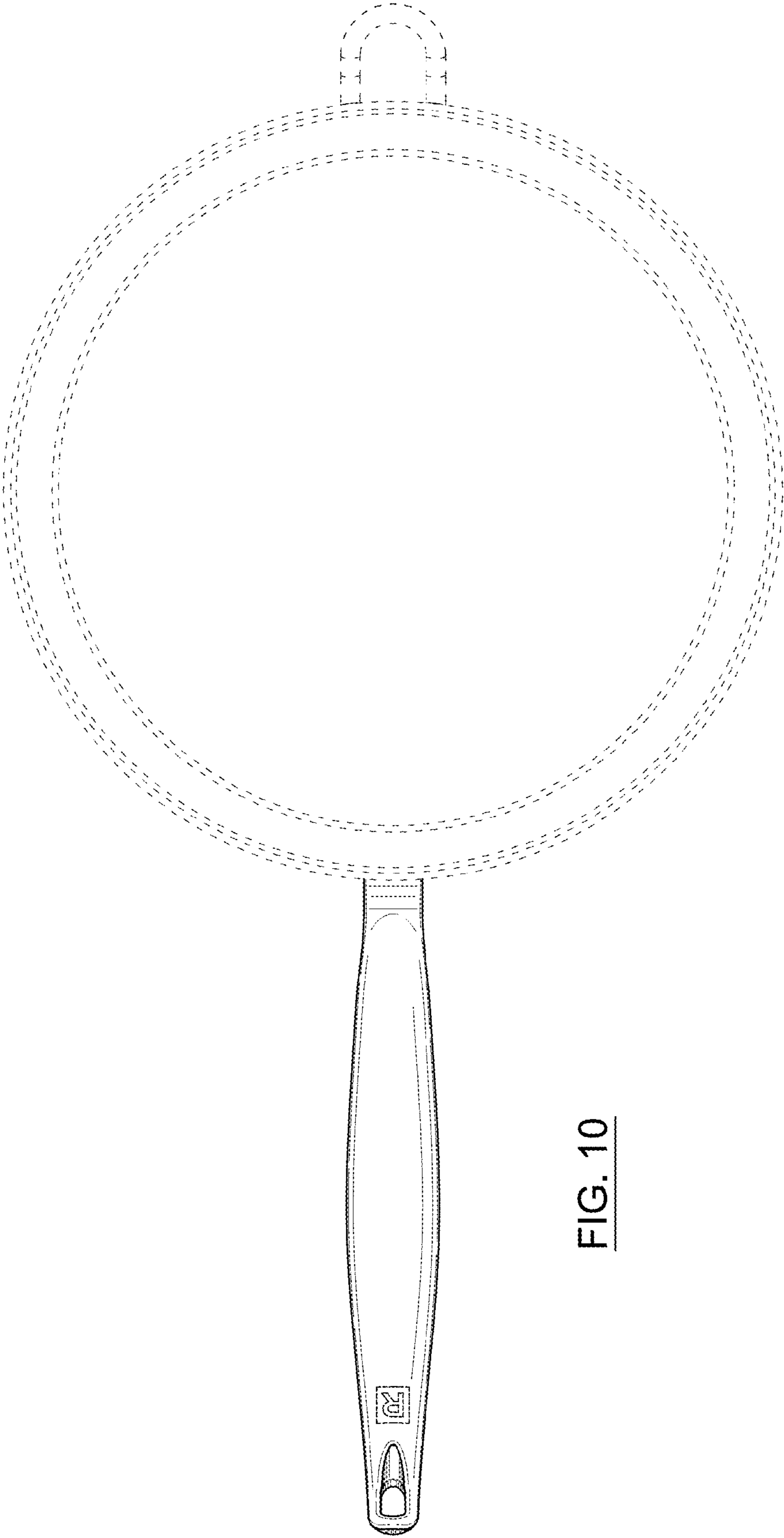


FIG. 10

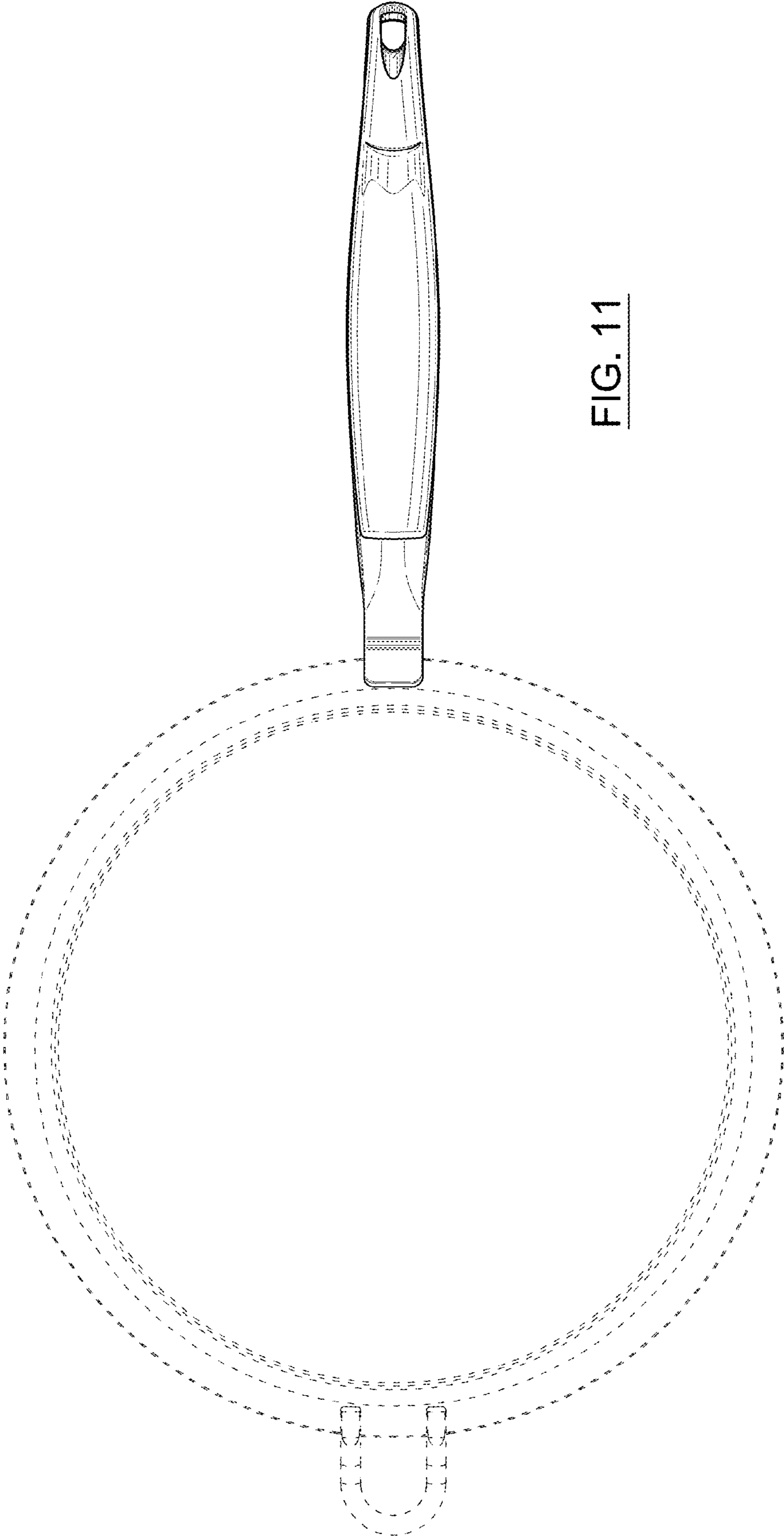


FIG. 11

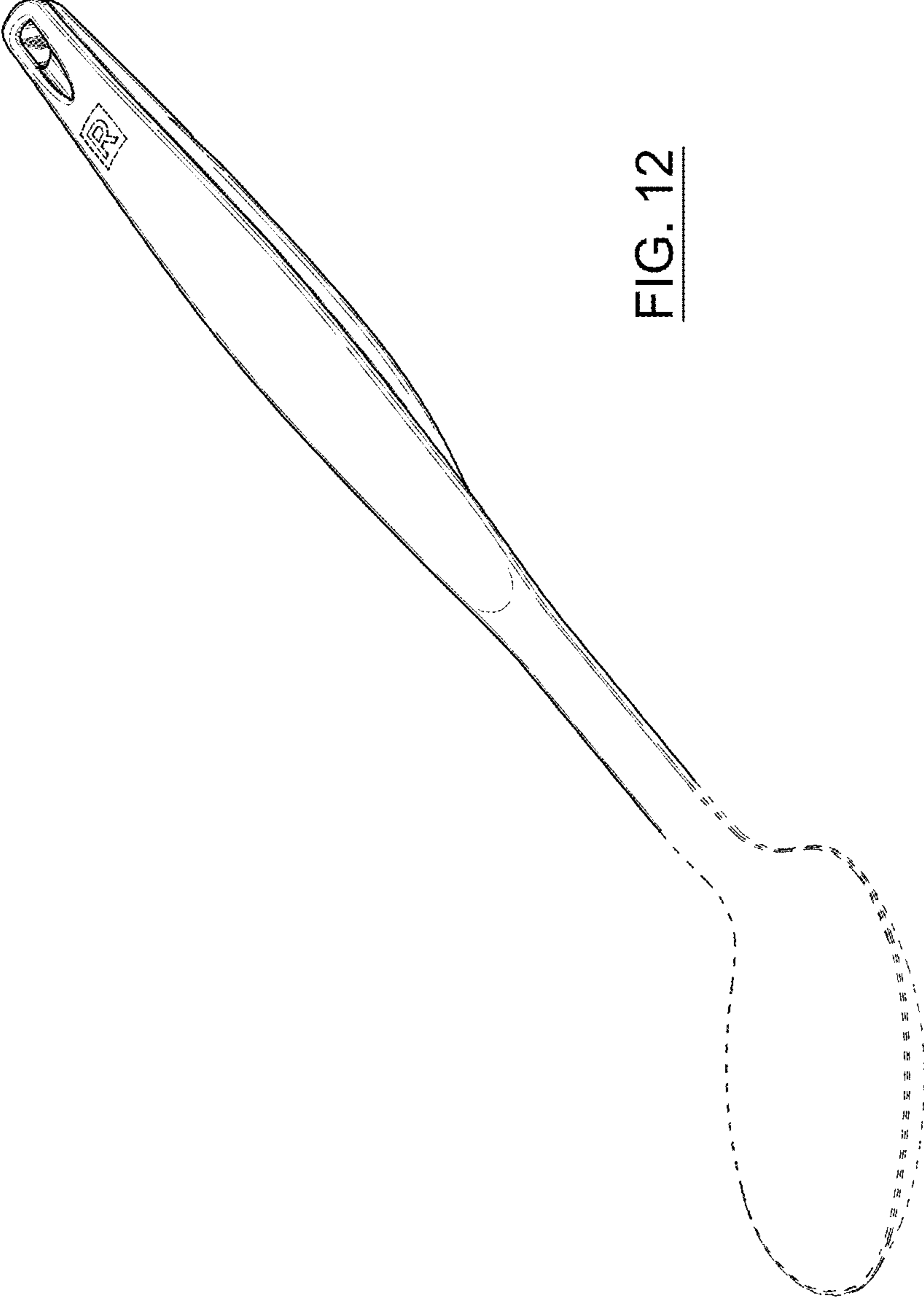


FIG. 12

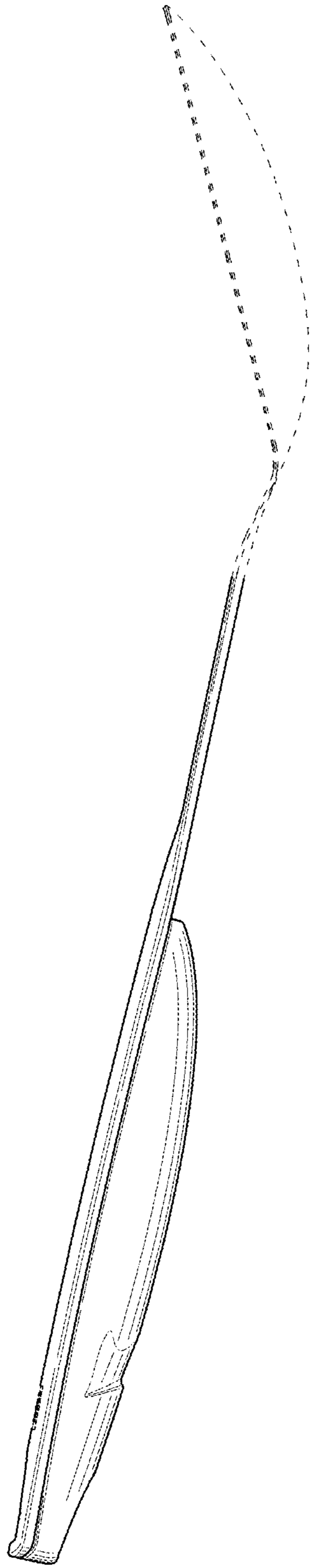


FIG. 13

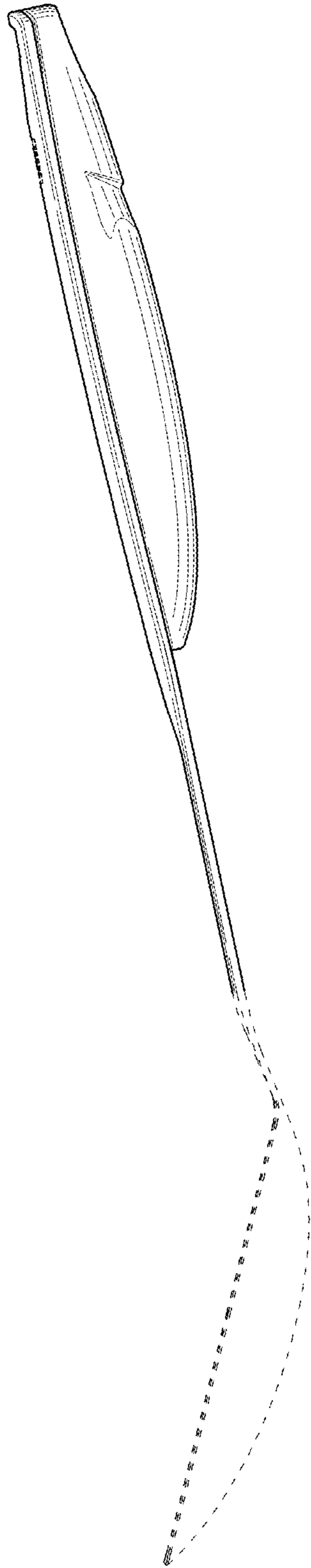


FIG. 14



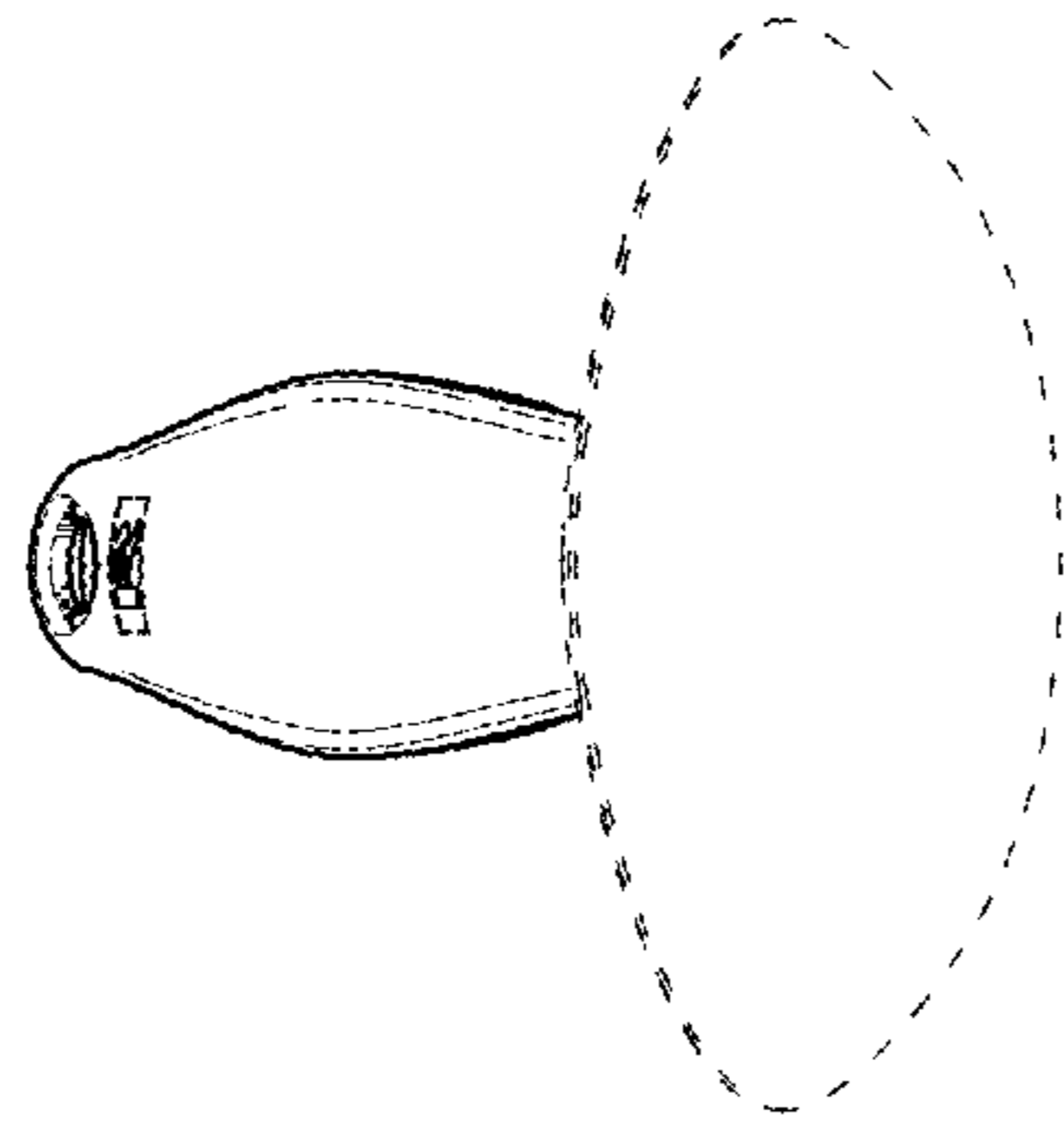


FIG. 15

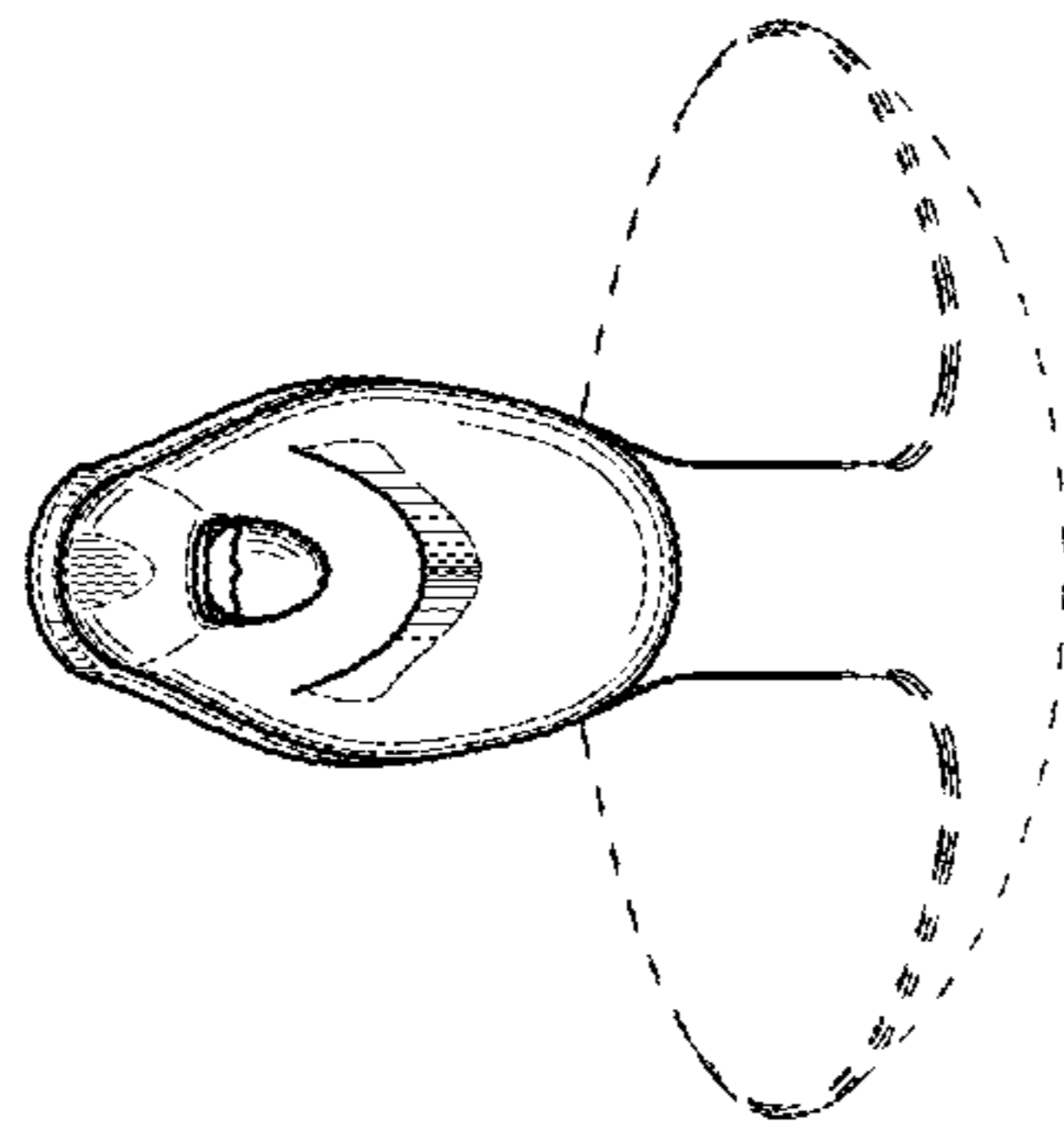


FIG. 16

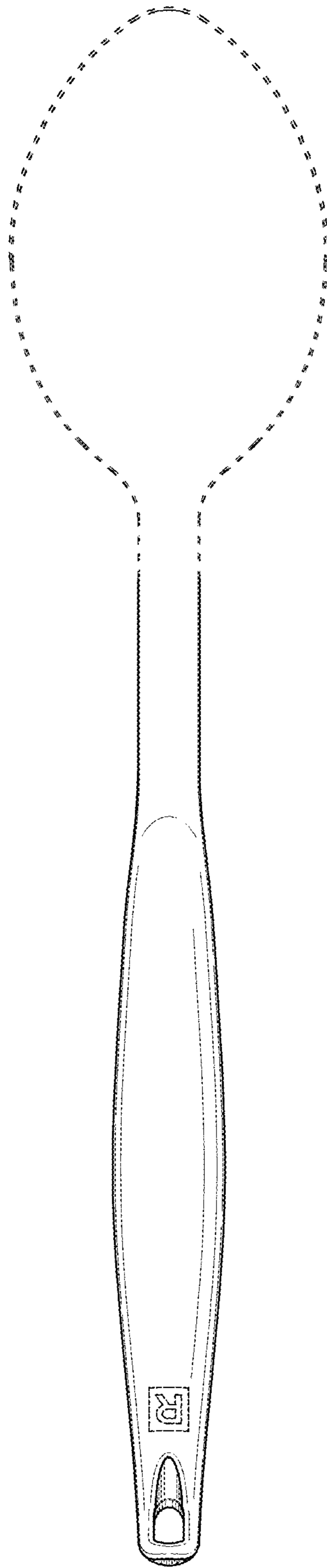


FIG. 17

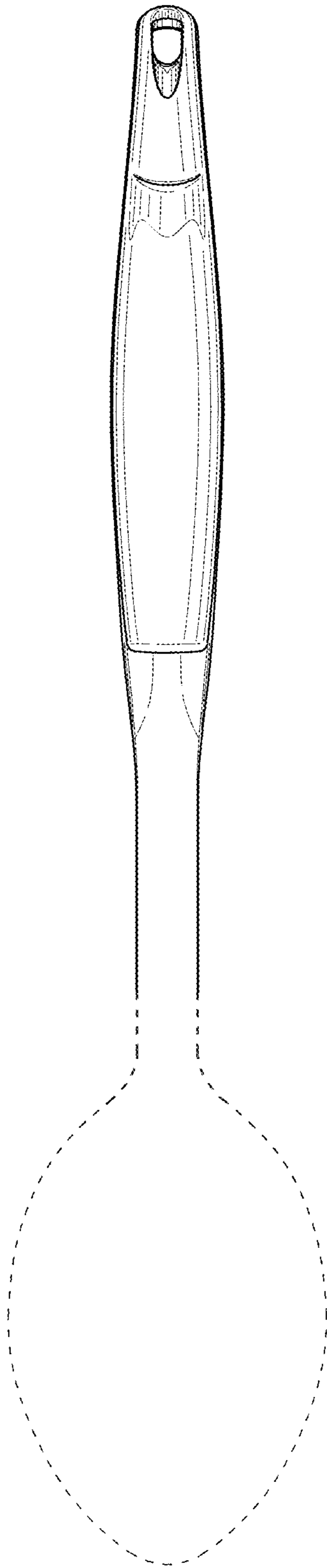


FIG. 18

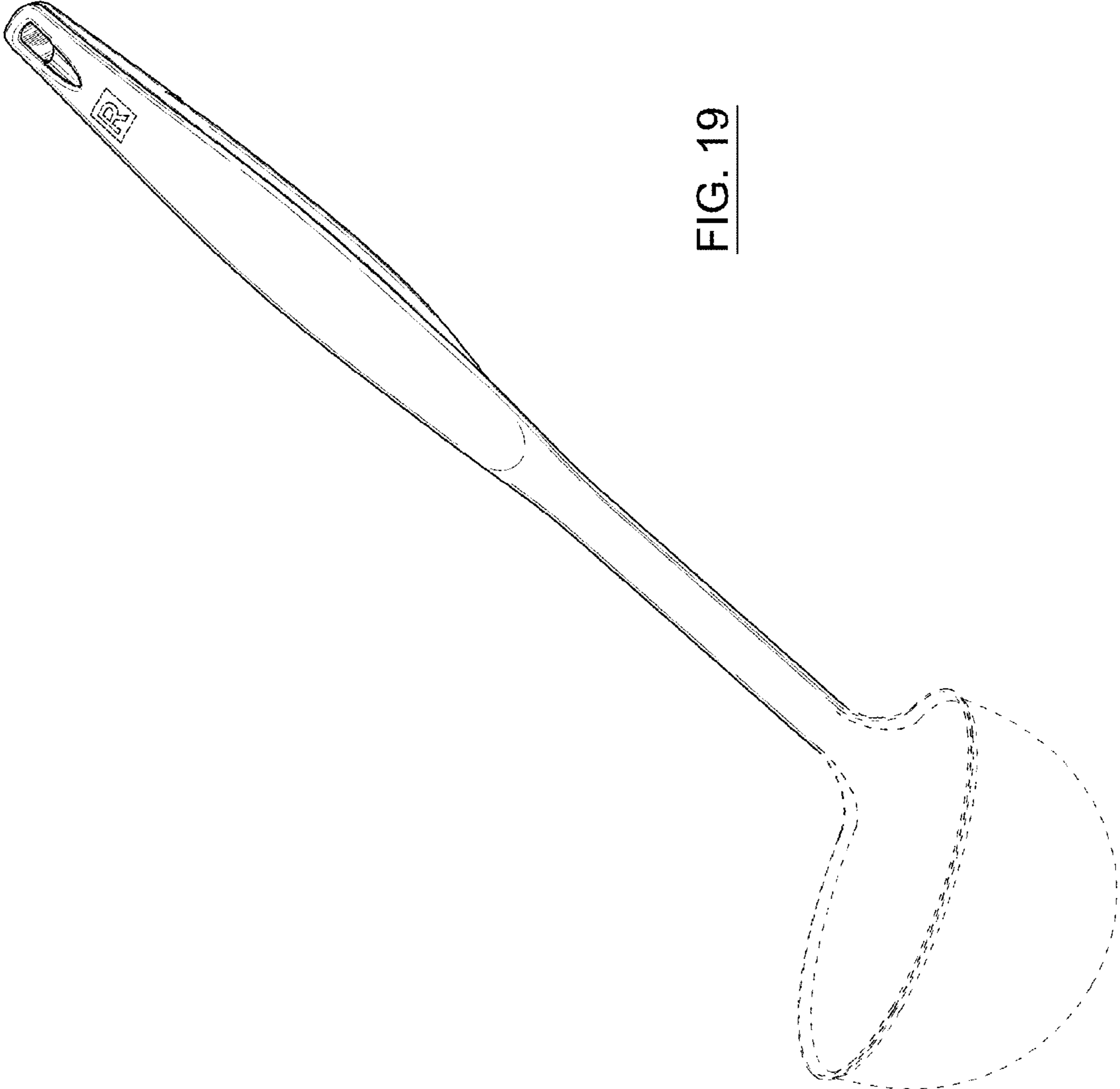


FIG. 19

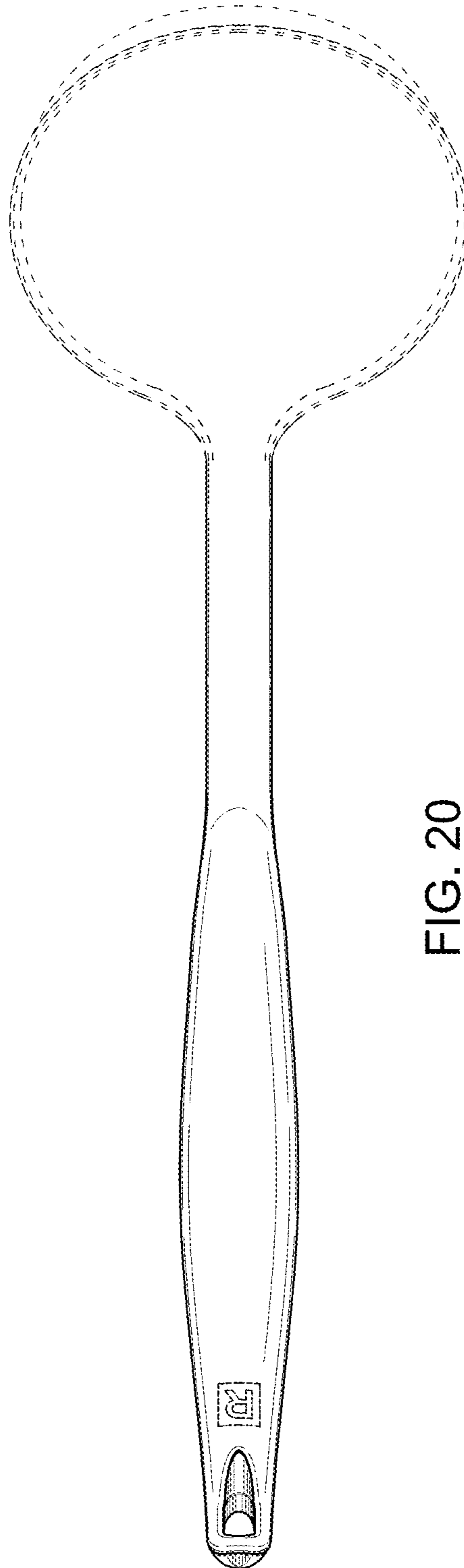


FIG. 20

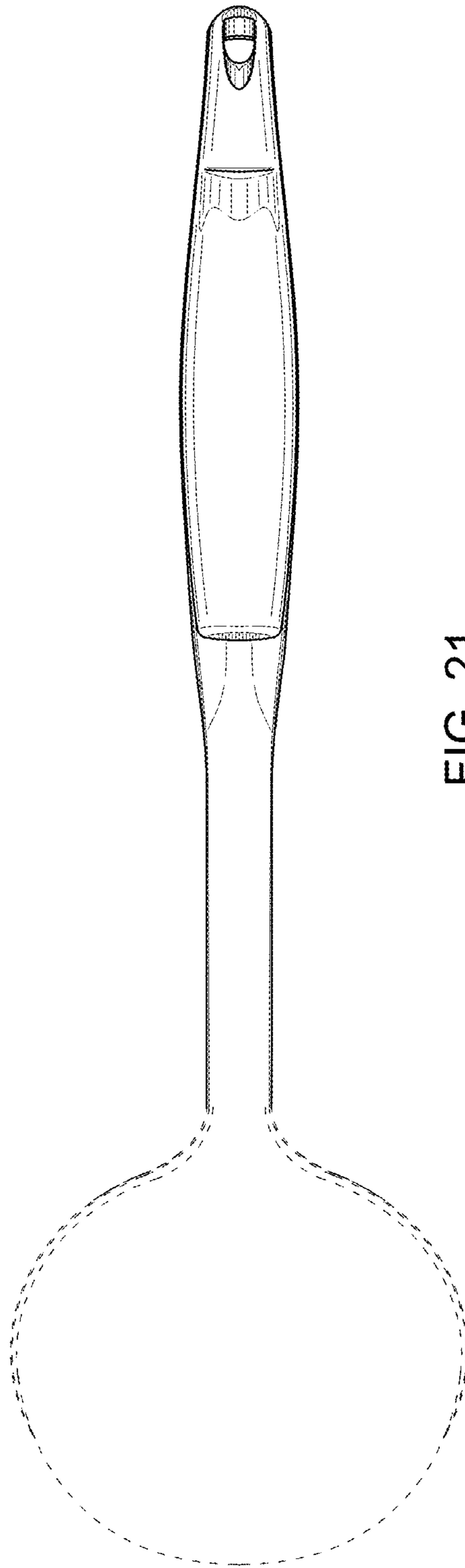


FIG. 21

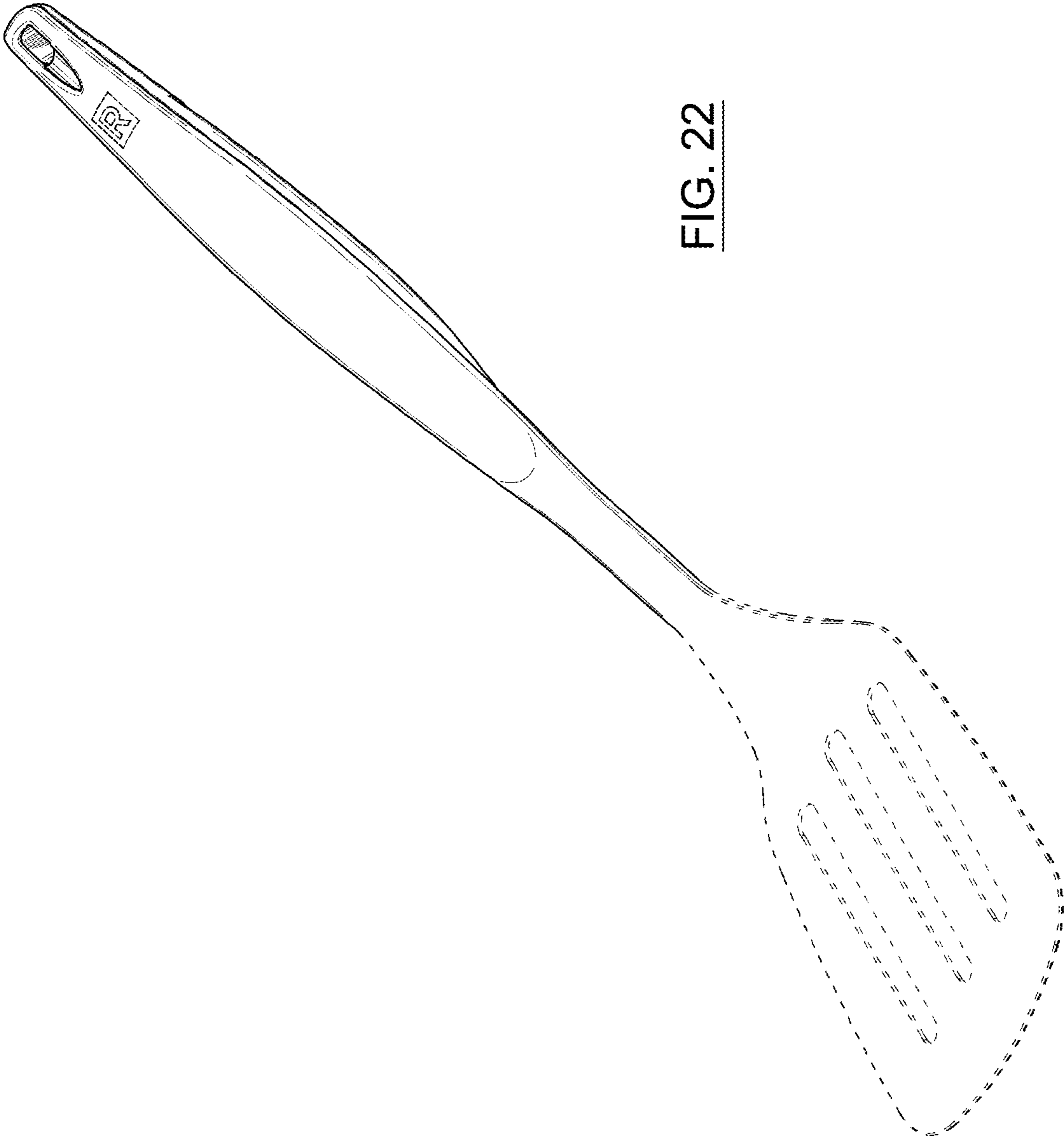


FIG. 22



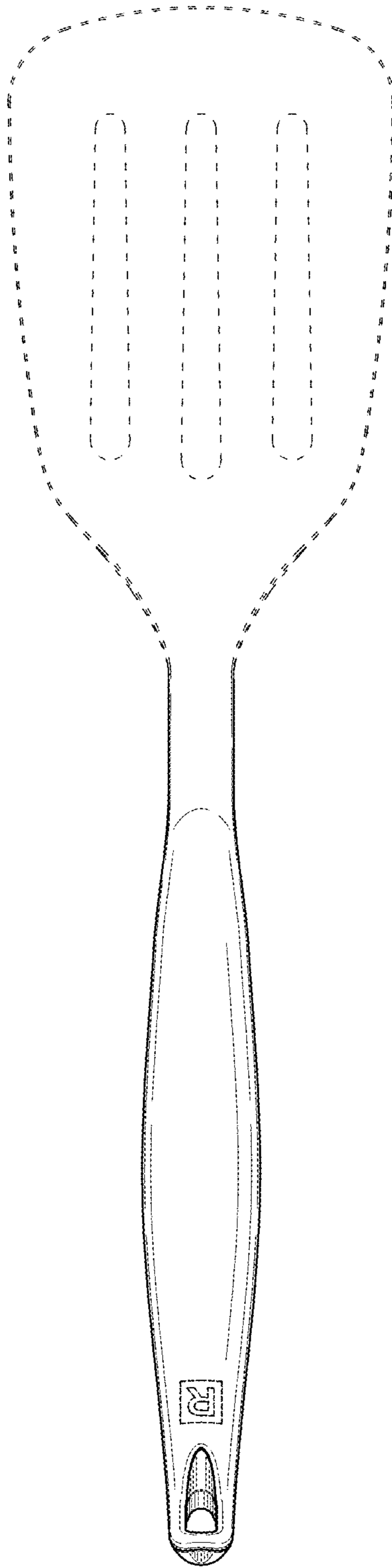


FIG. 23

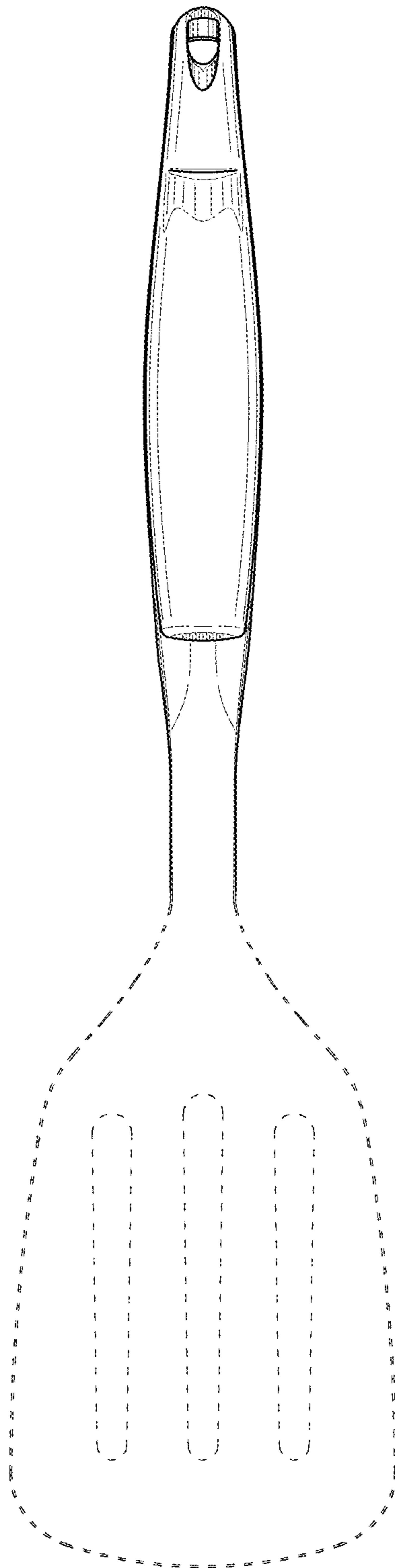


FIG. 24

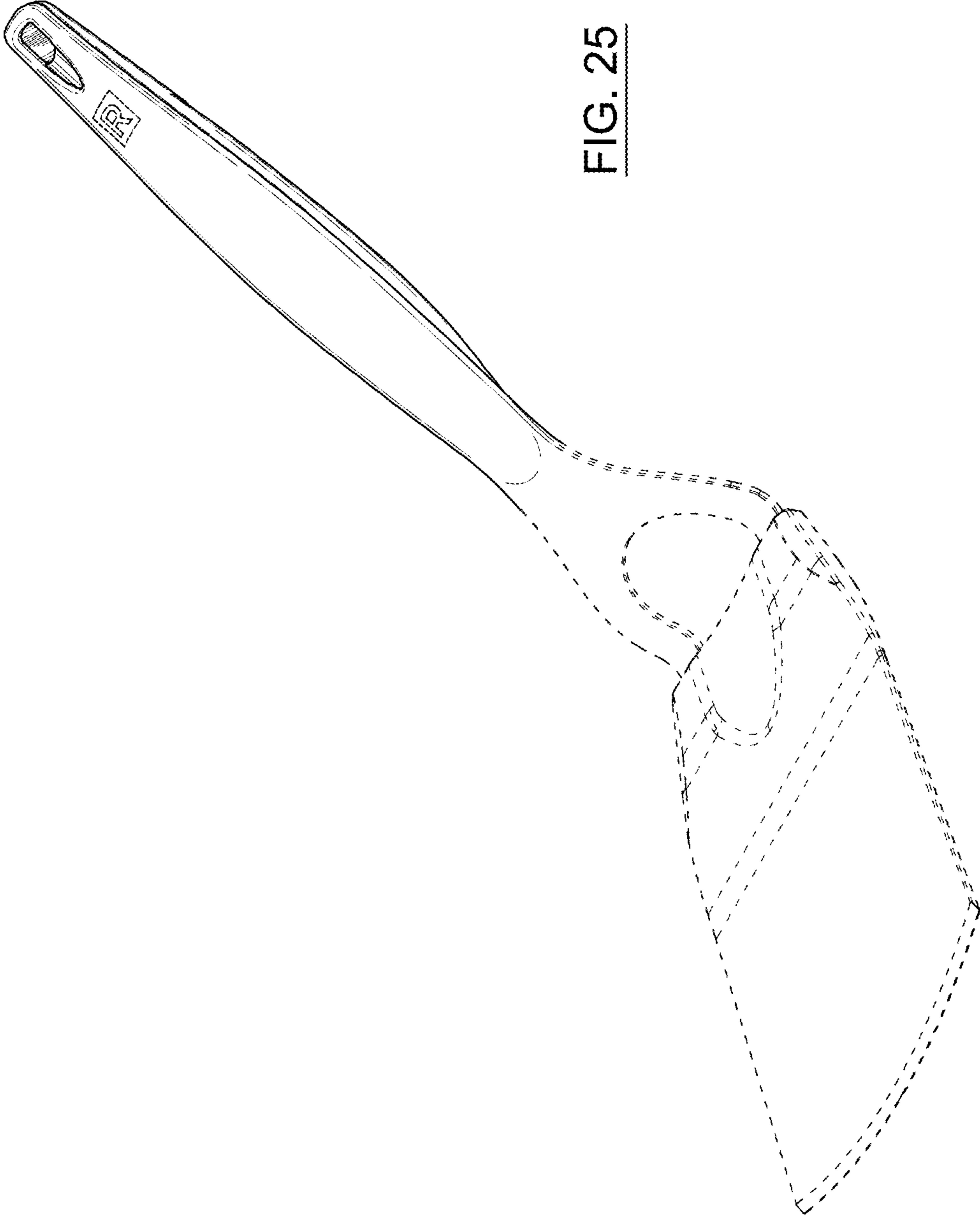


FIG. 25

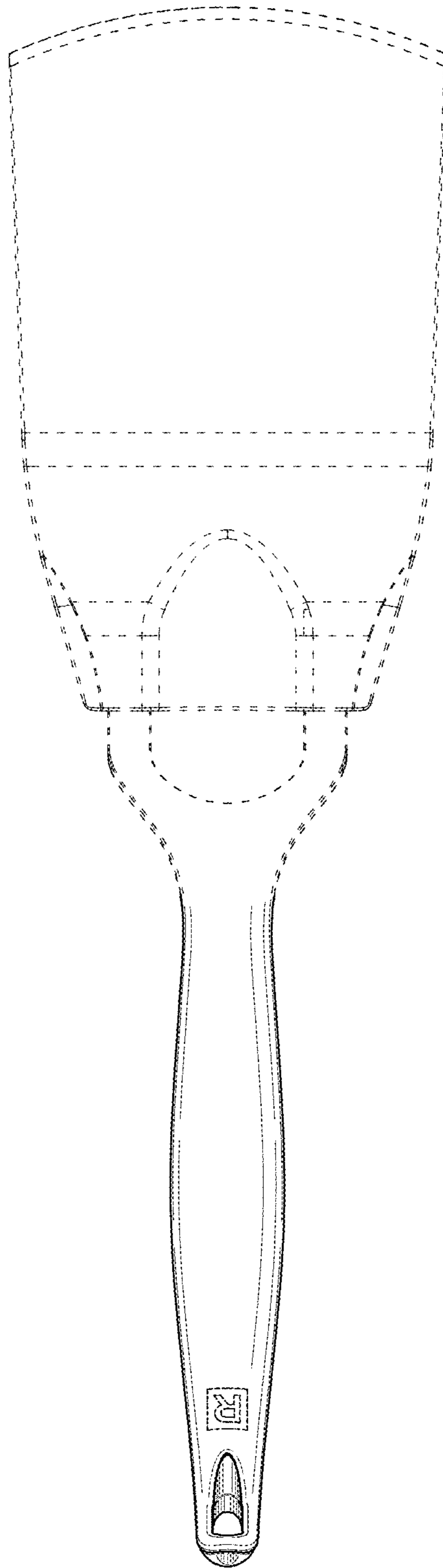


FIG. 26

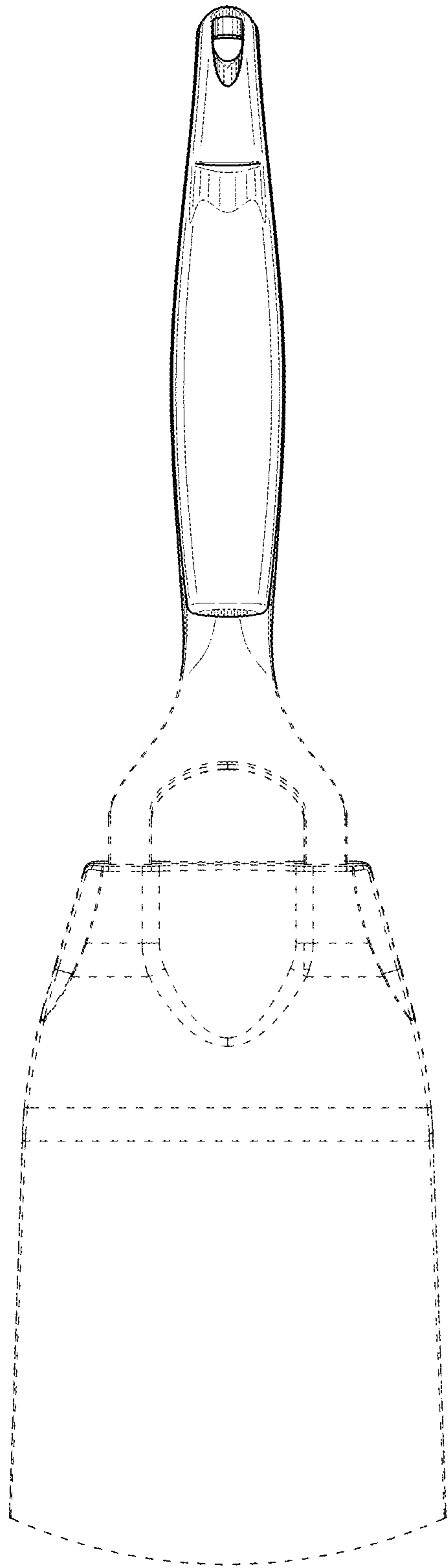


FIG. 27