

US00D734089S

(12) **United States Design Patent**
Garman

(10) **Patent No.:** **US D734,089 S**
(45) **Date of Patent:** **** Jul. 14, 2015**

(54) **DUAL SANDWICH MAKER**

(71) Applicant: **Hamilton Beach Brands, Inc.**, Glen Allen, VA (US)

(72) Inventor: **Michael Garman**, Moseley, VA (US)

(73) Assignee: **Hamilton Beach Brands, Inc.**, Glen Allen, VA (US)

(**) Term: **14 Years**

(21) Appl. No.: **29/484,308**

(22) Filed: **Mar. 7, 2014**

(51) **LOC (10) Cl.** **07-02**

(52) **U.S. Cl.**
USPC **D7/352**

(58) **Field of Classification Search**
USPC D7/323, 328–330, 337, 347, 352–364, D7/367, 402, 409–411; 99/324–326, 331, 99/339, 349, 356–357, 372–379, 99/444–446; 219/386, 450.1, 472, 219/524–525, 620–622, 732–734
CPC A21B 5/023; A47J 27/60; A47J 27/62; A47J 37/04; A47J 37/06; A47J 37/067; A47J 37/0605; A47J 37/0611; A47J 37/0623; A47J 37/0629; A47J 37/0676; A47J 2037/06; A47J 2037/0611; F24C 15/10; F24C 15/102; H05B 6/02; H05B 6/062
See application file for complete search history.

5,983,784 A 11/1999 Goldberg
6,772,678 B2 8/2004 Choi et al.
D509,989 S * 9/2005 Steinberg et al. D7/352
7,005,616 B2 2/2006 Kim et al.
7,238,921 B2 7/2007 Beesley et al.
7,250,587 B2 7/2007 Ely et al.
7,250,588 B2 7/2007 Ely et al.
7,467,583 B2 12/2008 Lam
D657,990 S * 4/2012 Kim et al. D7/352
D688,513 S * 8/2013 Garman D7/352
D695,058 S * 12/2013 Garman D7/357
D697,362 S * 1/2014 Nguyen Geslin D7/356
D706,569 S * 6/2014 Fung D7/352
D715,093 S * 10/2014 Ren D7/364
2008/0105137 A1 5/2008 Genslak et al.
2009/0139412 A1 6/2009 Zhan

* cited by examiner

Primary Examiner — Ricky Pham

(74) *Attorney, Agent, or Firm* — Alexander D. Raring

(57) **CLAIM**

The ornamental design for a dual sandwich maker, as shown and described.

DESCRIPTION

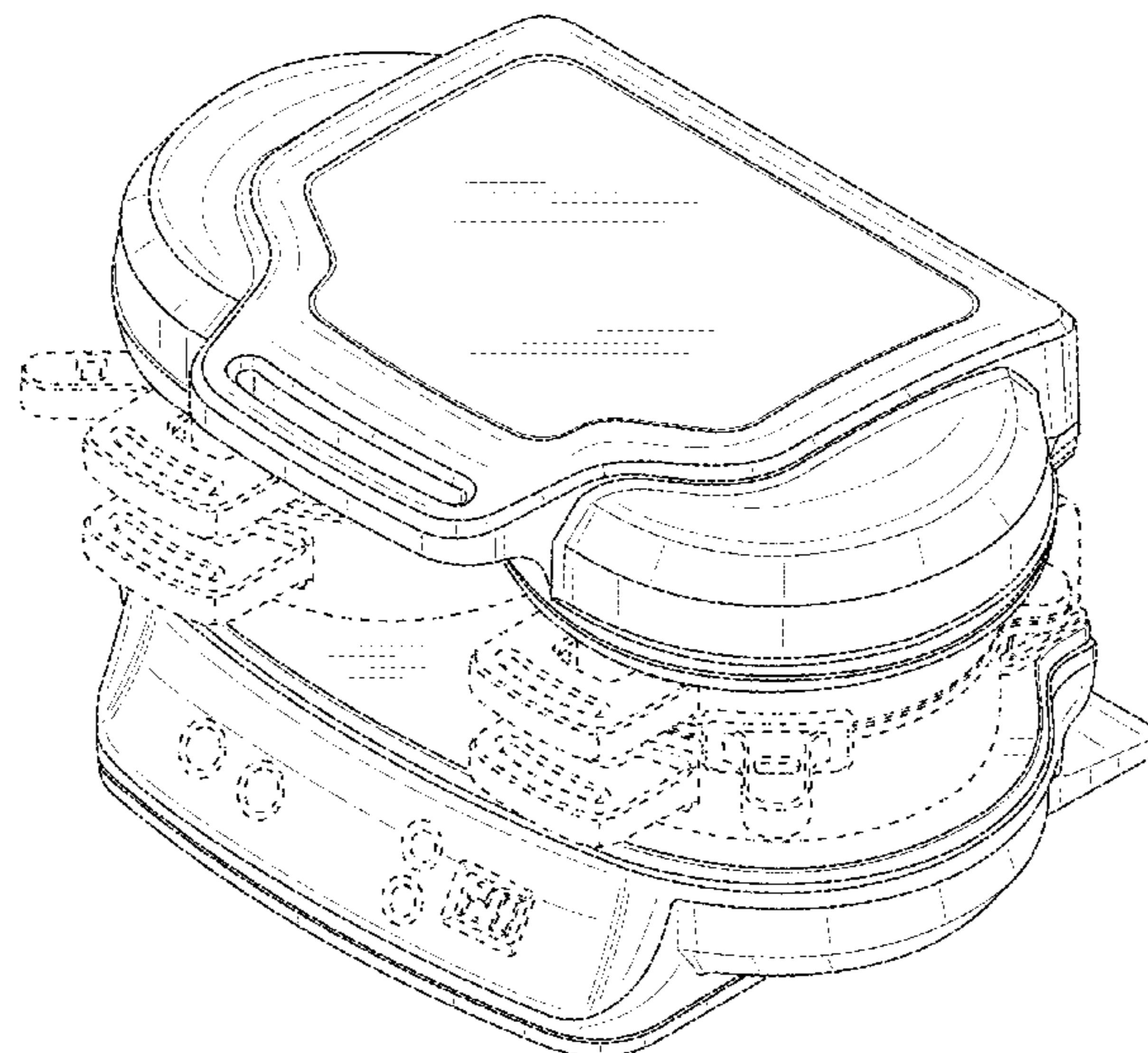
FIG. 1 is a perspective view as seen from the top, front and right side of a dual sandwich maker showing the new design; FIG. 2 is a perspective view as seen from the top, rear and left side thereof; FIG. 3 is a front view thereof; FIG. 4 is a right side view thereof; FIG. 5 is a rear view thereof; FIG. 6 is a top view thereof; FIG. 7 is a left side view thereof; and, FIG. 8 is a bottom view thereof.

The broken lines in the drawings are included for illustrative purposes only and form no part of the claimed design.

1 Claim, 8 Drawing Sheets

(56) **References Cited**
U.S. PATENT DOCUMENTS

4,803,918 A 2/1989 Carbon et al.
4,967,650 A 11/1990 Weigle
D376,067 S * 12/1996 Littmann D7/360
D380,341 S * 7/1997 Naft et al. D7/354



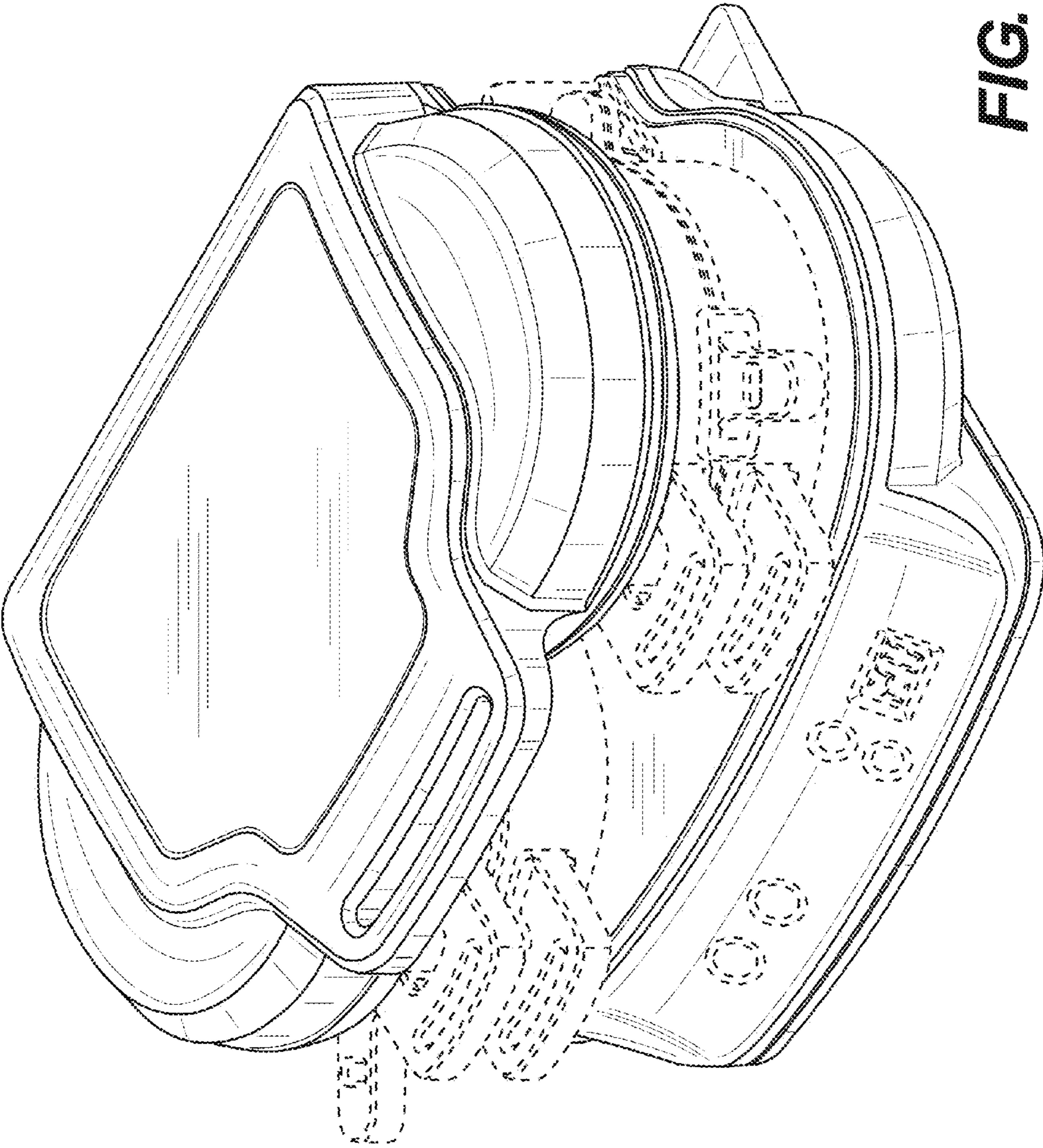


FIG. 1

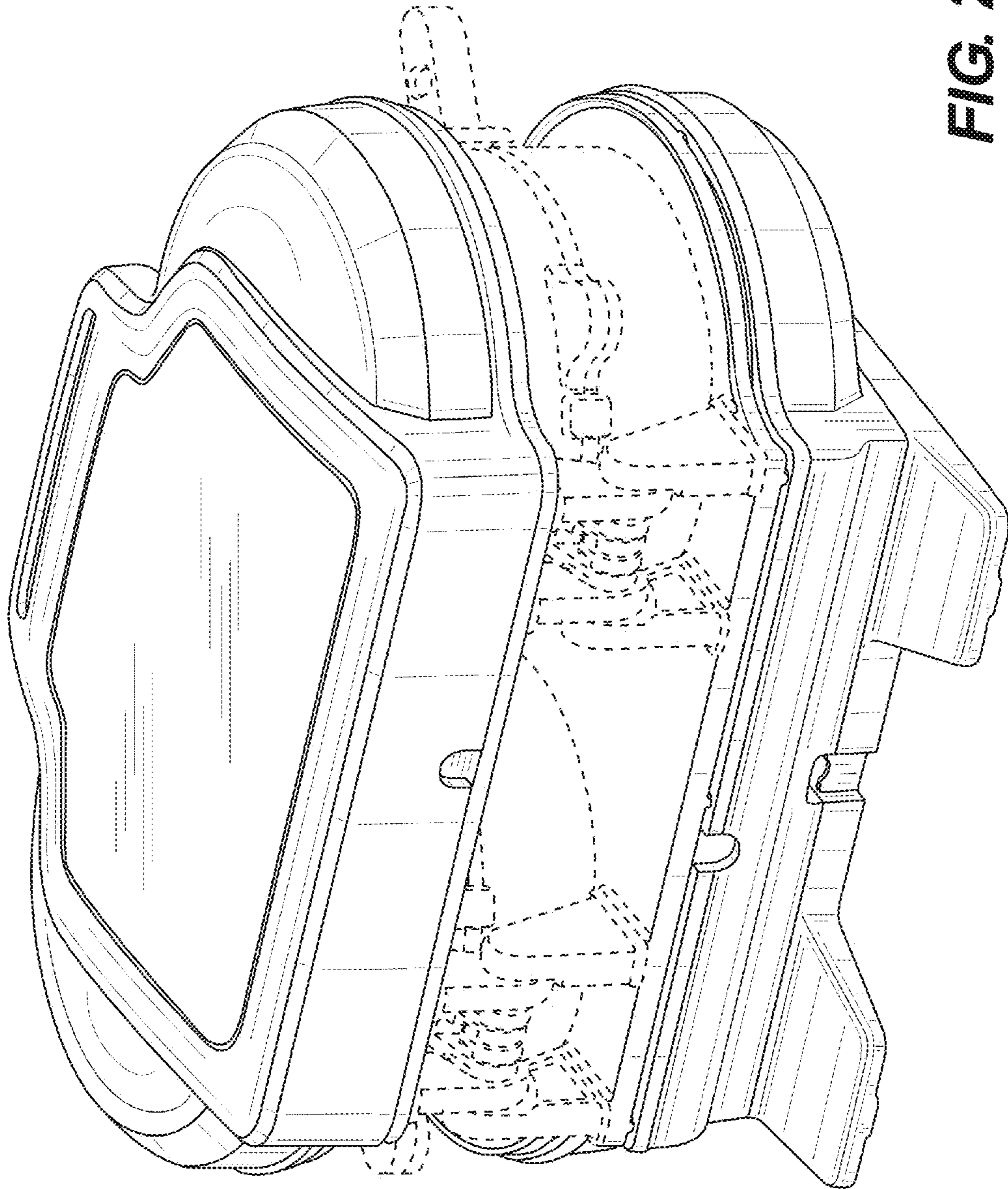


FIG. 2

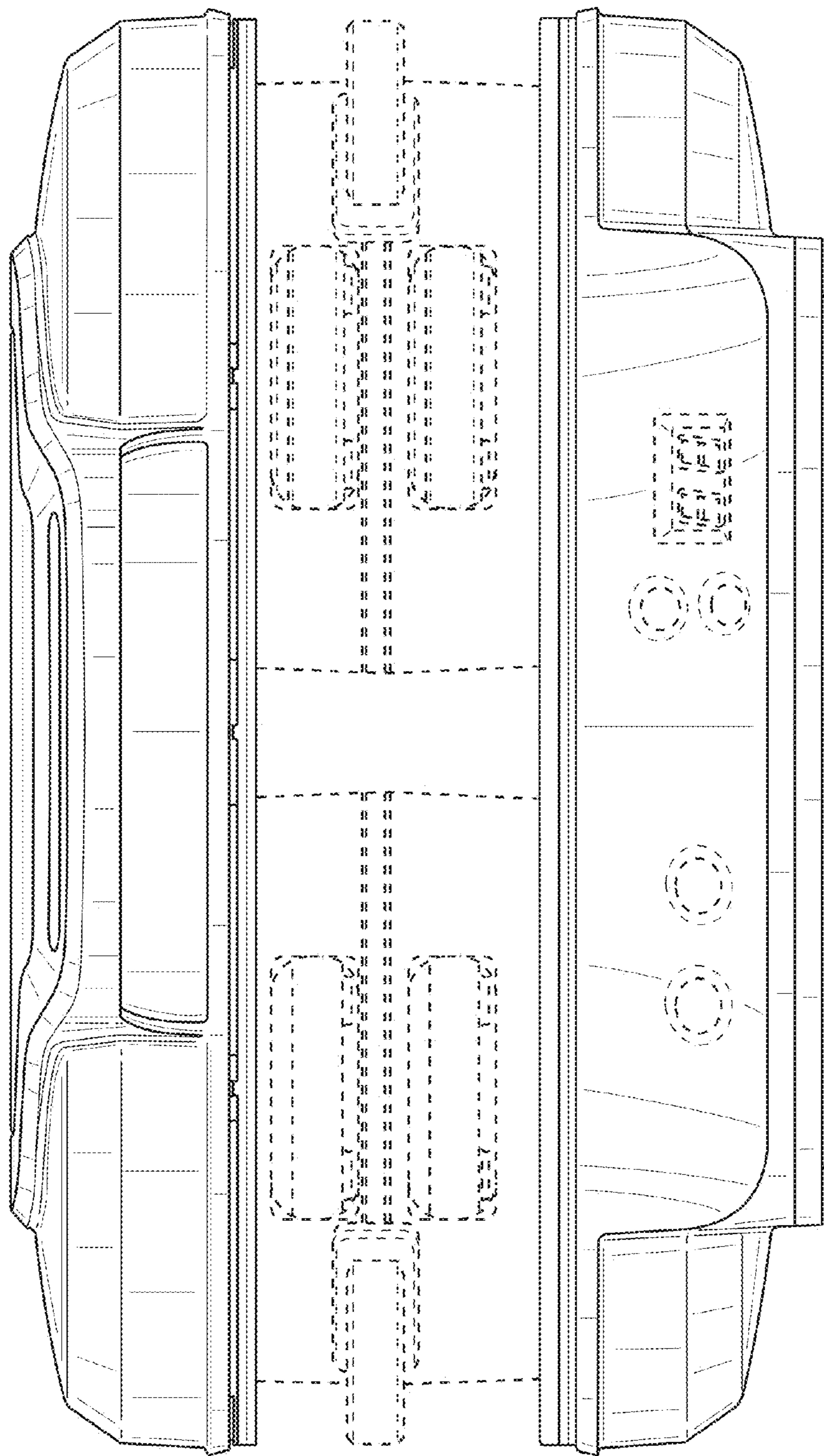


FIG. 3

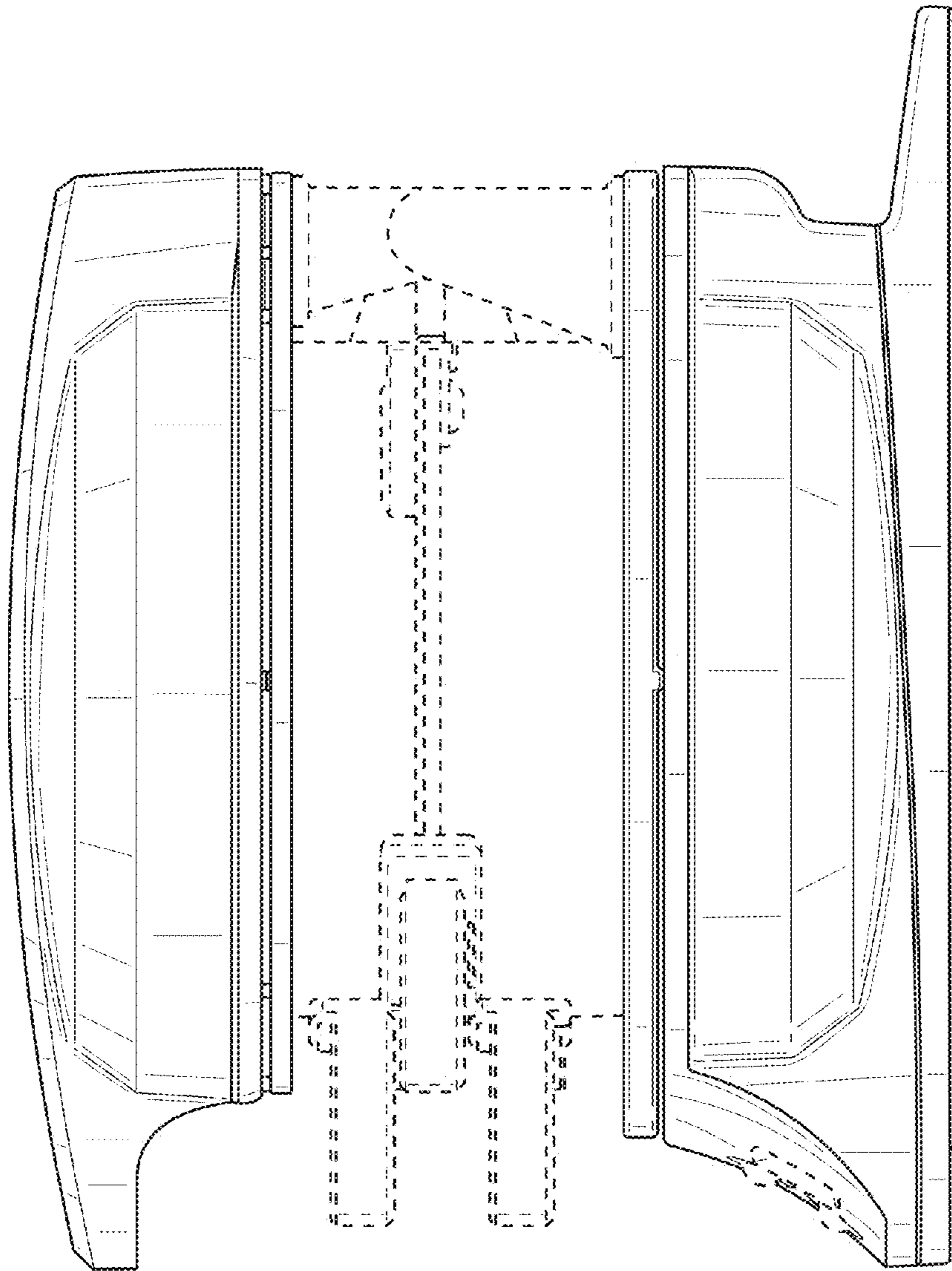


FIG. 4

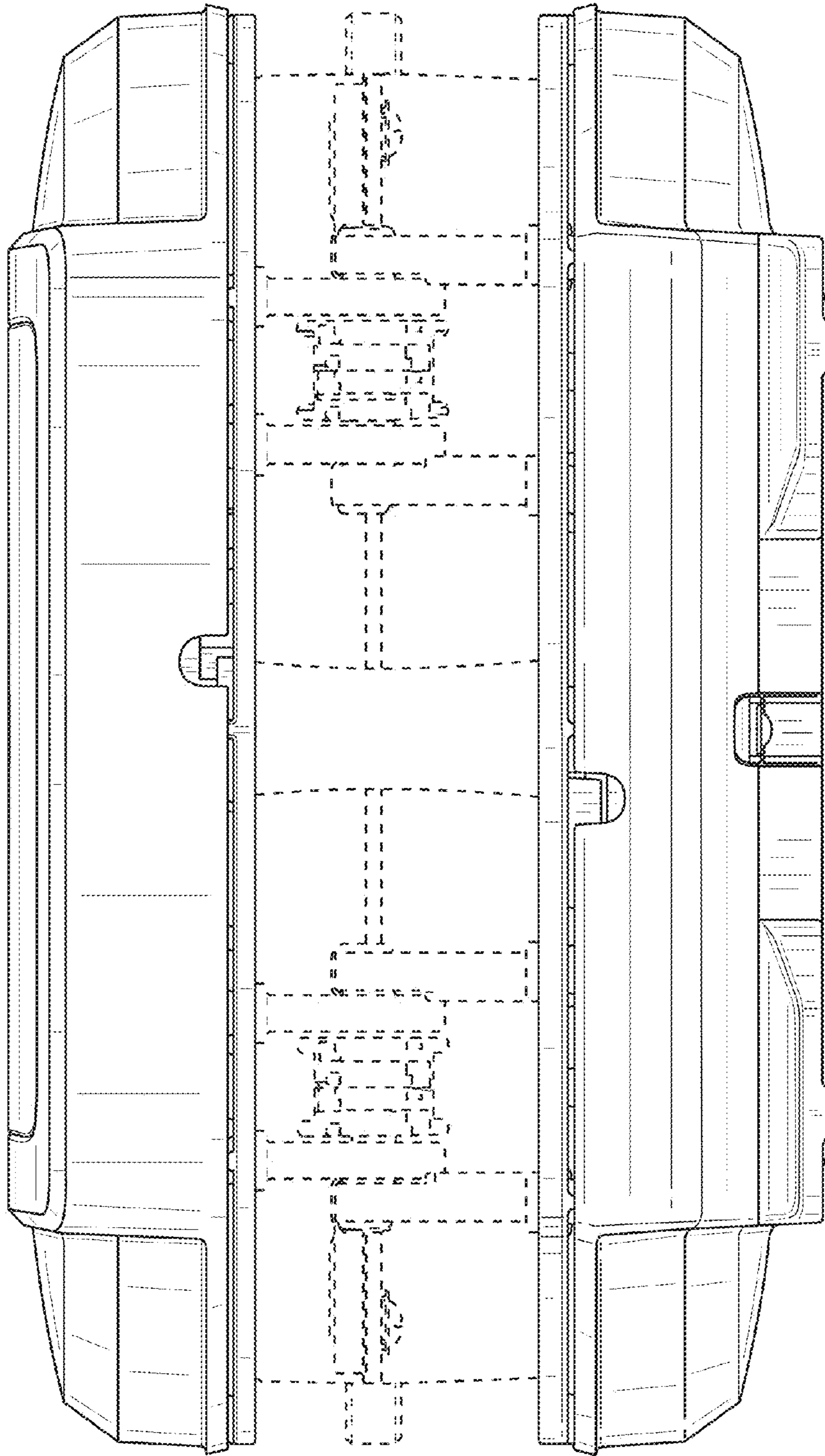


FIG. 5

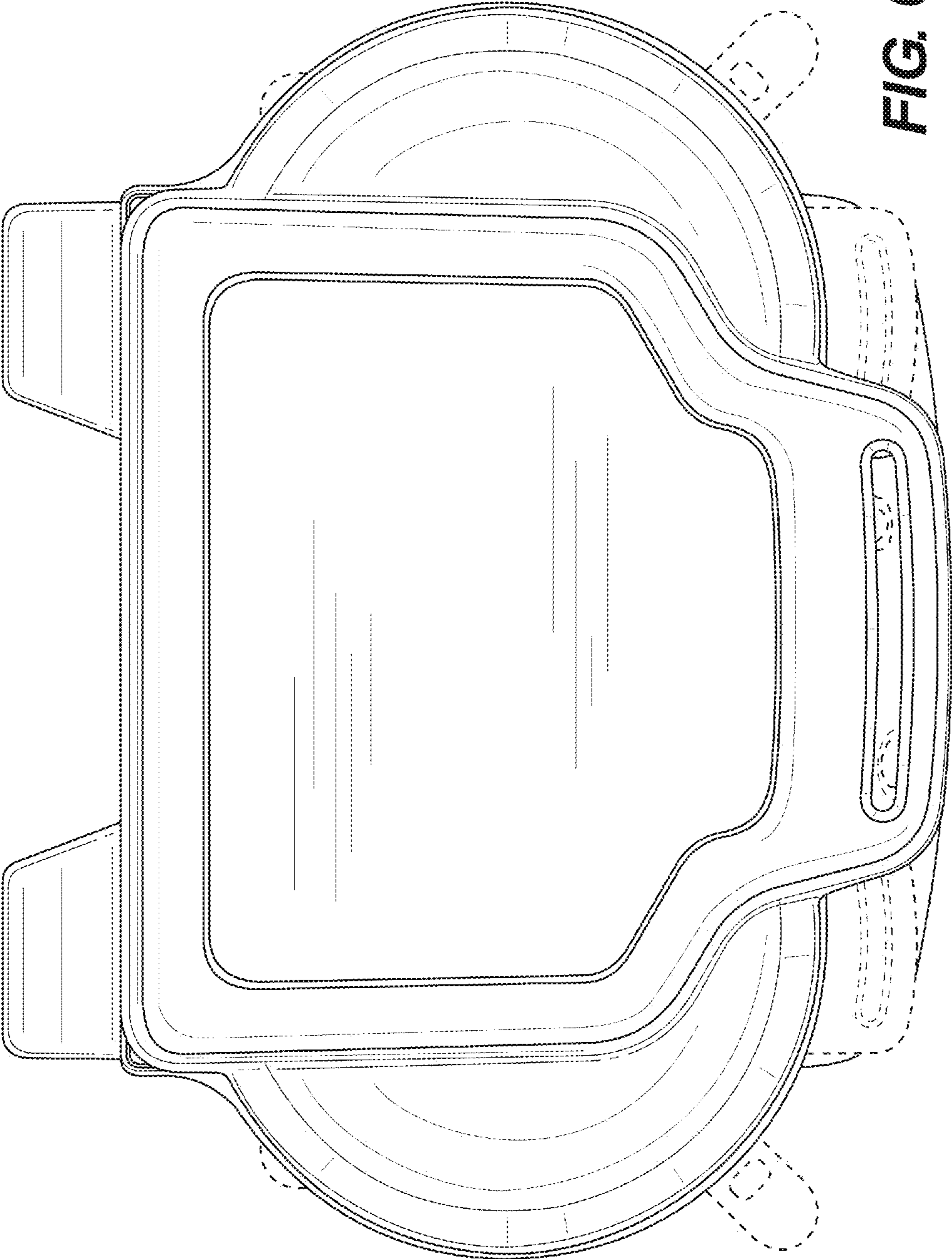


FIG. 6

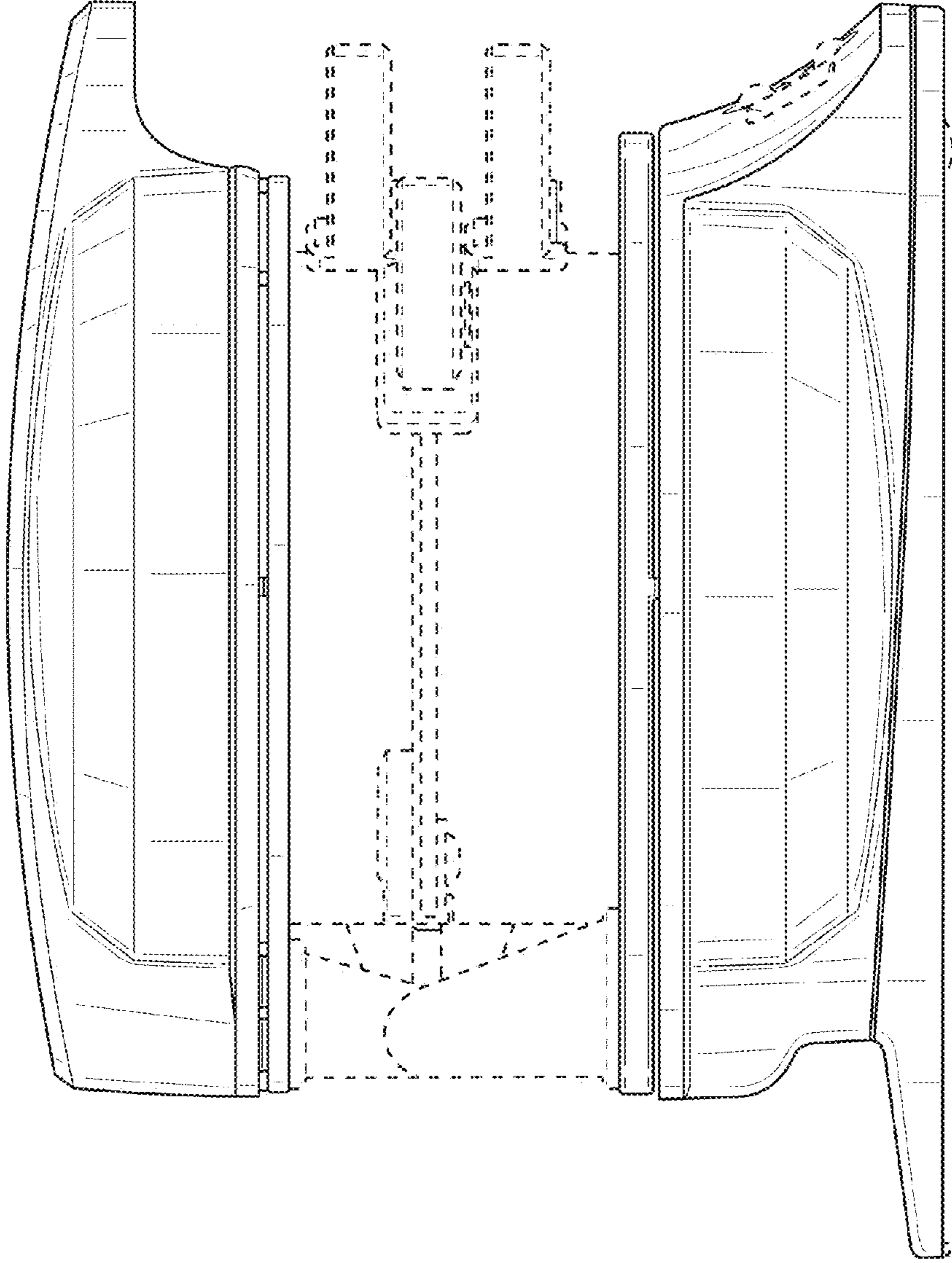


FIG. 7

