



US00D734087S

(12) **United States Design Patent**
Melzer et al.

(10) **Patent No.:** **US D734,087 S**
(45) **Date of Patent:** **** Jul. 14, 2015**

- (54) **COLD BREW ICE COFFEE MAKER**
- (71) Applicant: **Epoca International, Inc.**, Boca Raton, FL (US)
- (72) Inventors: **Brian Melzer**, Boca Raton, FL (US);
Matthew L. Chin, New York, NY (US);
Gareth Brown, Jersey City, NJ (US)
- (73) Assignee: **Epoca International, Inc.**, Boca Raton, FL (US)

D383,638	S	*	9/1997	Joergensen	D7/319
D384,237	S	*	9/1997	Hess	D7/319
5,695,282	A	*	12/1997	Hess	366/256
D407,597	S	*	4/1999	Diehl	D7/317
D435,995	S	*	1/2001	Mano	D7/318
6,224,253	B1	*	5/2001	Dixon	366/247
6,755,328	B1	*	6/2004	Franco	222/465.1
D531,445	S	*	11/2006	Bodum	D7/312
D552,917	S	*	10/2007	Hurlbut et al.	D7/319
D585,232	S	*	1/2009	Bodum	D7/319
D587,514	S	*	3/2009	Bodum	D7/319
D625,947	S	*	10/2010	Olson et al.	D7/319
D682,600	S	*	5/2013	De Leo	D7/319
D720,174	S	*	12/2014	Melzer et al.	D7/319

(**) Term: **14 Years**

* cited by examiner

(21) Appl. No.: **29/481,102**

Primary Examiner — Marianne Pandozzi

(22) Filed: **Jan. 31, 2014**

(74) *Attorney, Agent, or Firm* — Akerman LLP

(51) **LOC (10) Cl.** **07-01**

(52) **U.S. Cl.**
USPC **D7/317; D7/319**

(58) **Field of Classification Search**
USPC D7/317–319, 316, 600; D23/209;
222/465.1
CPC A47J 43/44
See application file for complete search history.

(57) **CLAIM**

We claim the ornamental design for a cold brew ice coffee maker, as shown and described.

DESCRIPTION

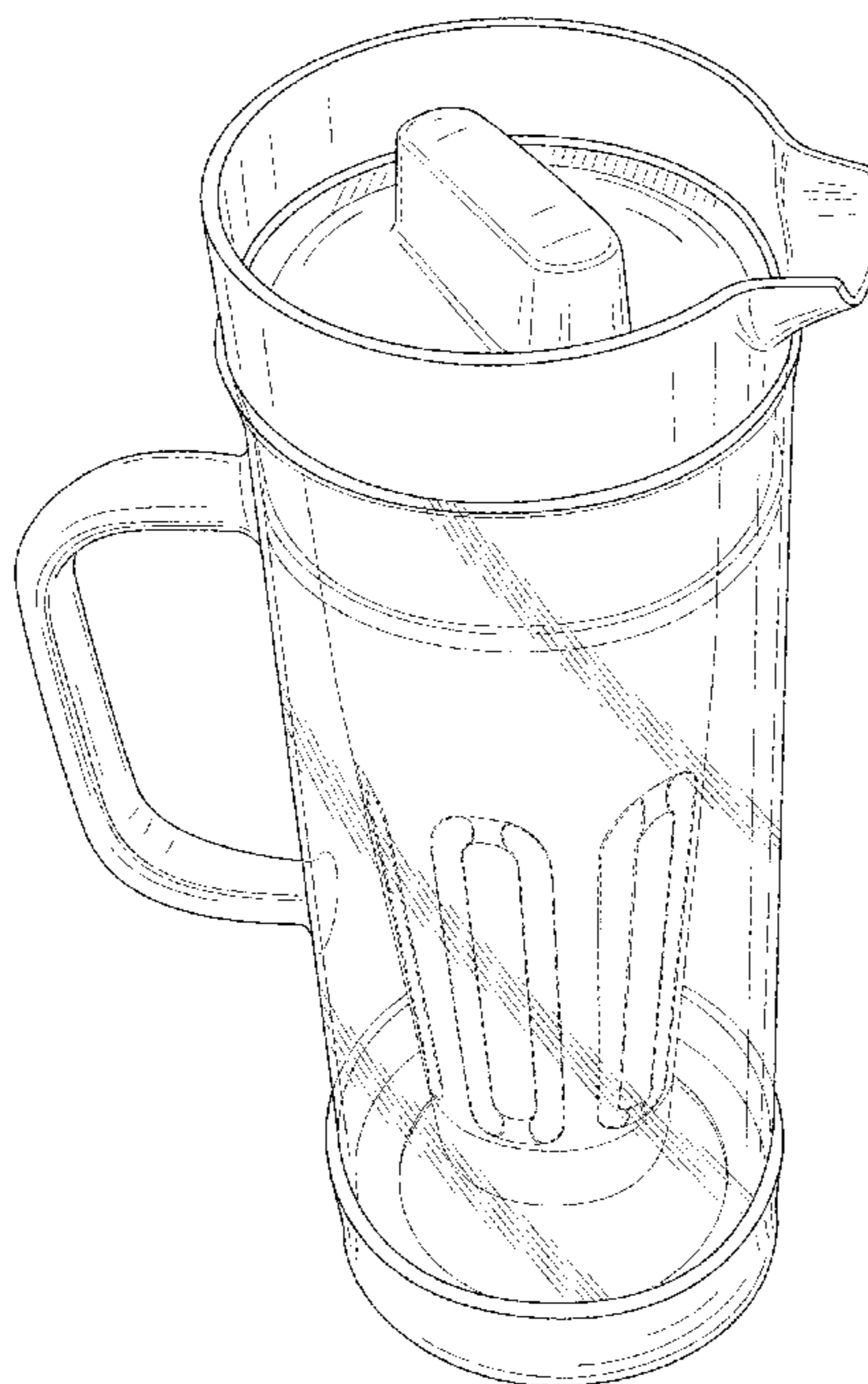
FIG. 1 is a perspective view of the cold brew ice coffee maker, showing our new, original and ornamental design;
FIG. 2 is a side view thereof;
FIG. 3 is a back view thereof;
FIG. 4 is a front view thereof;
FIG. 5 is a second side view thereof;
FIG. 6 is a top view thereof; and,
FIG. 7 is a bottom view thereof.
The broken lines in the figures are for illustrative purposes only and form no part of the claimed design.

(56) **References Cited**

U.S. PATENT DOCUMENTS

3,844,450	A	*	10/1974	Johnson	222/183
D264,926	S	*	6/1982	McClelland	D7/317
D301,296	S	*	5/1989	Hsu	D7/317
D302,370	S	*	7/1989	Gibert	D7/317
D323,093	S	*	1/1992	Picozza et al.	D7/319
5,425,579	A	*	6/1995	Sampson	366/130
D382,764	S	*	8/1997	Brady	D7/317

1 Claim, 7 Drawing Sheets



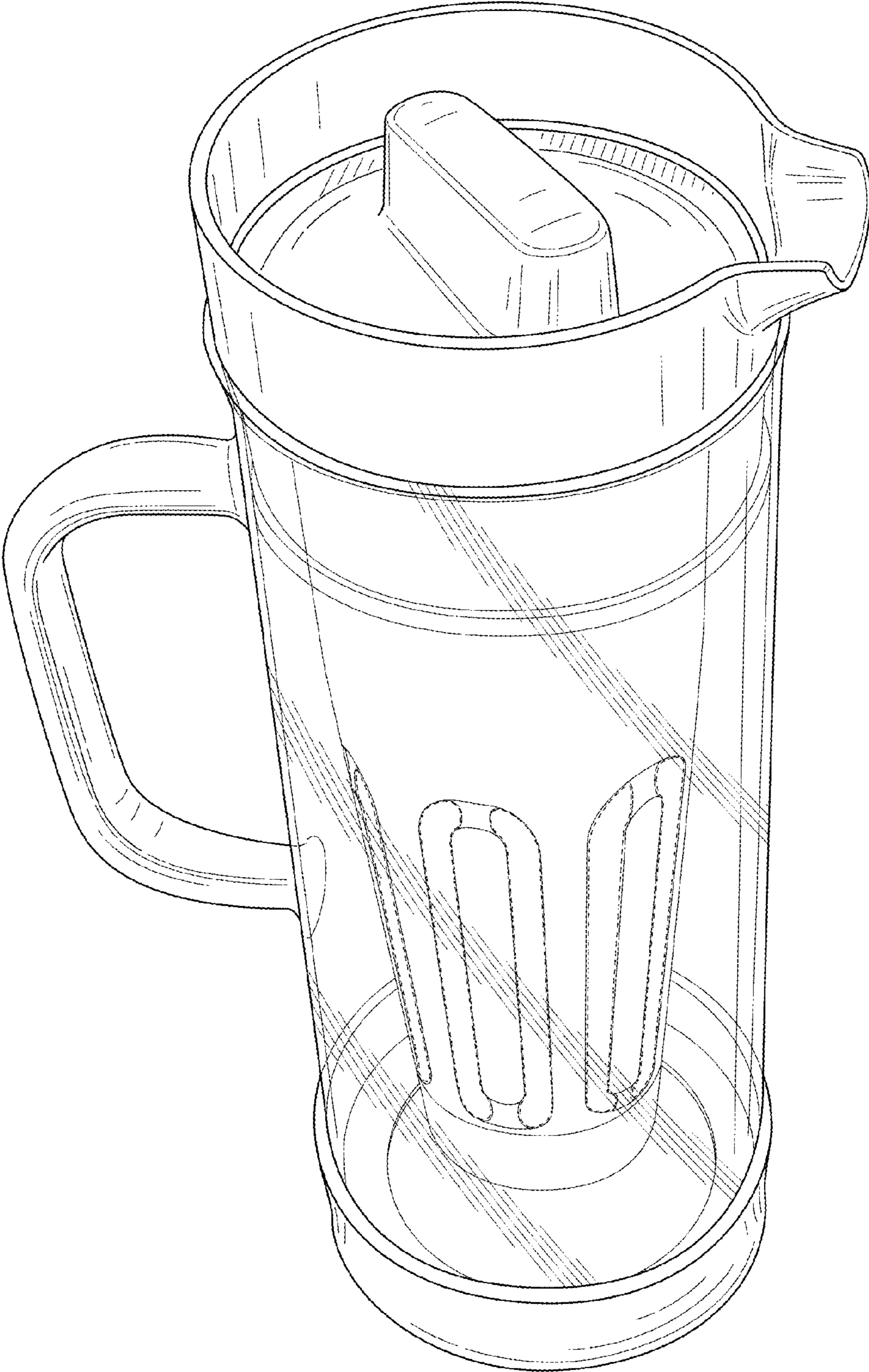


FIG. 1

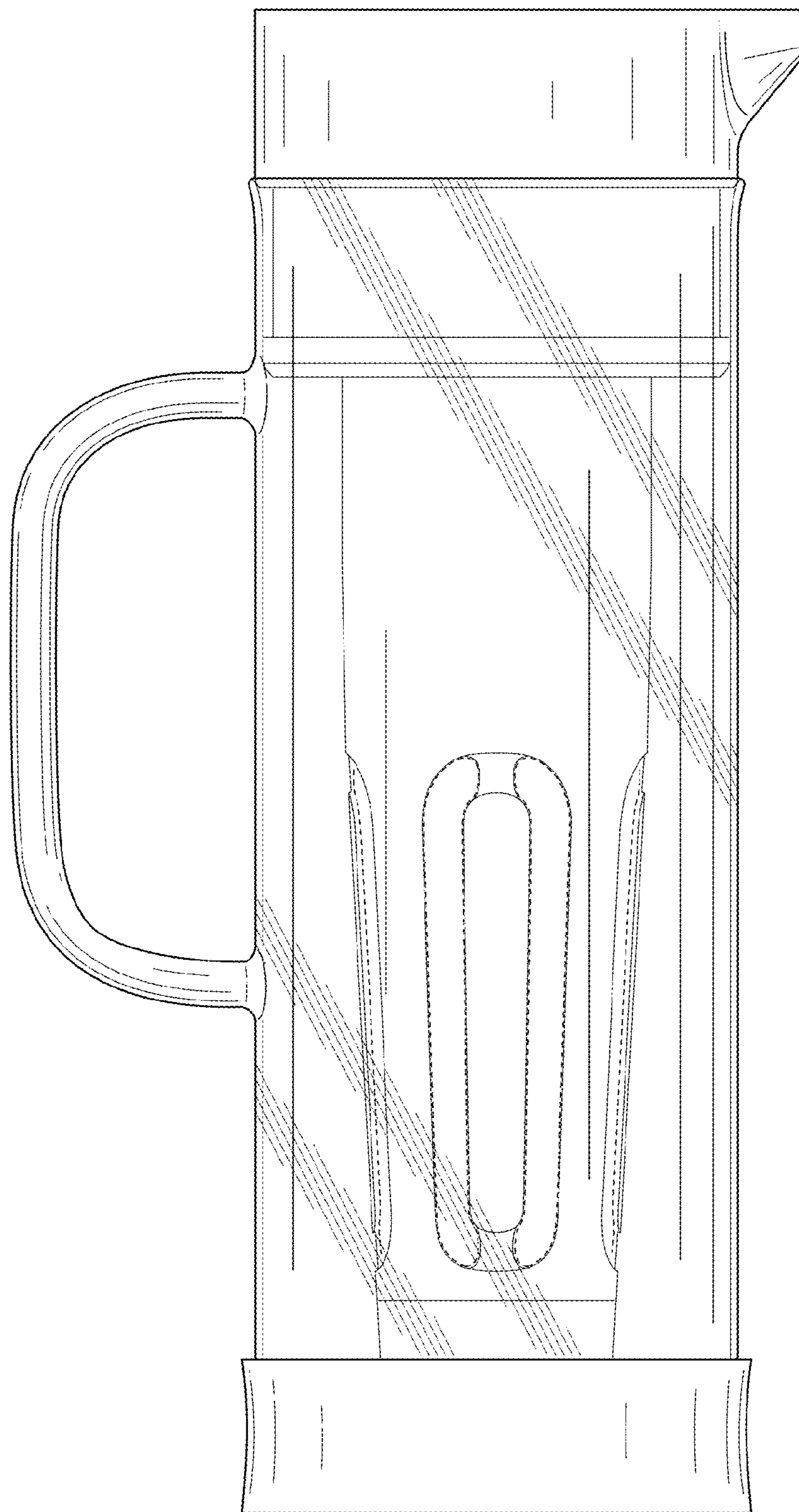


FIG. 2

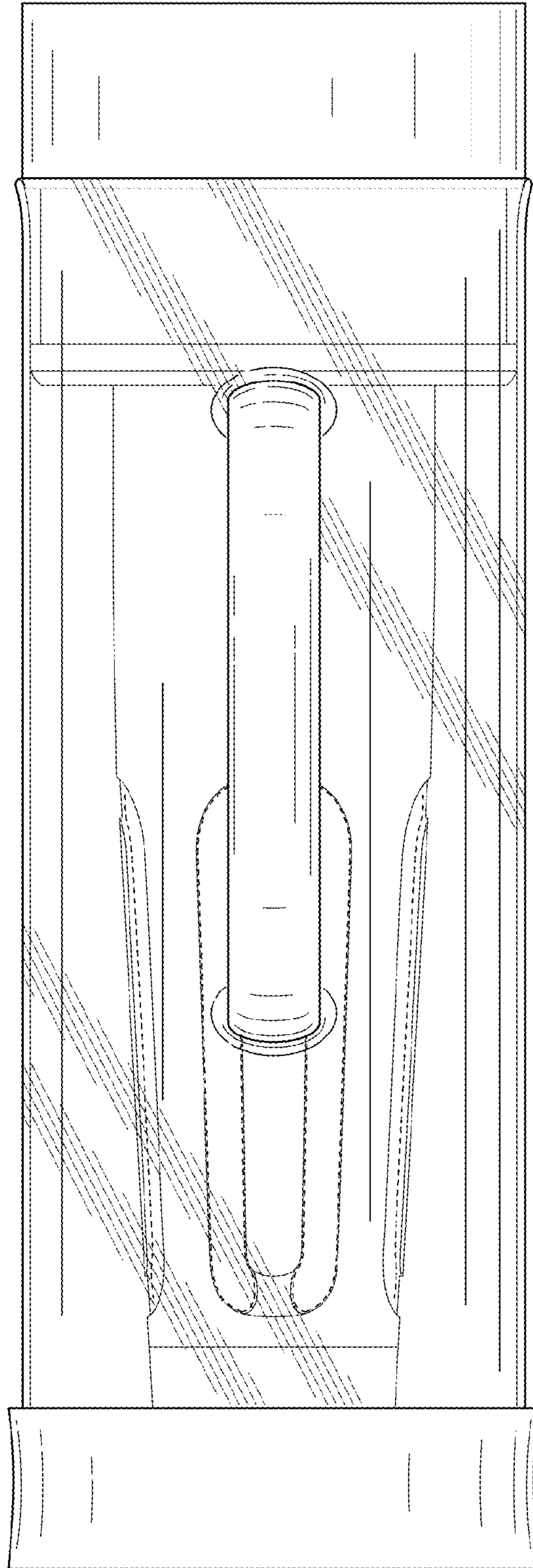


FIG. 3

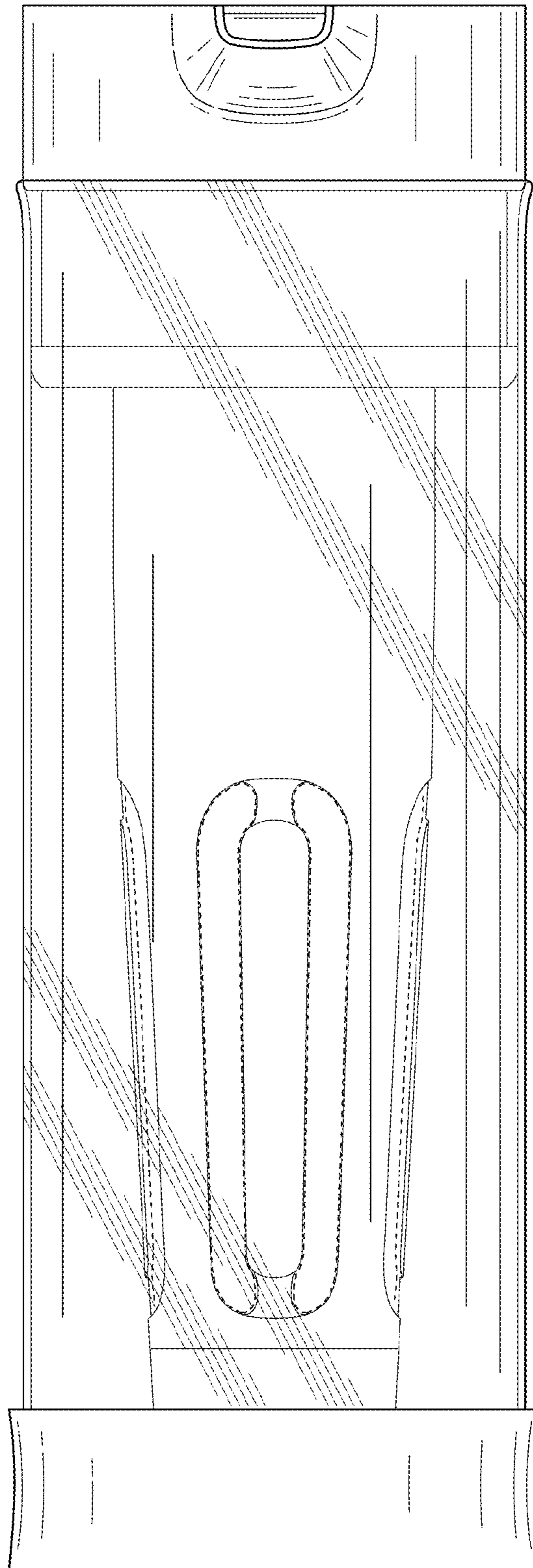


FIG. 4

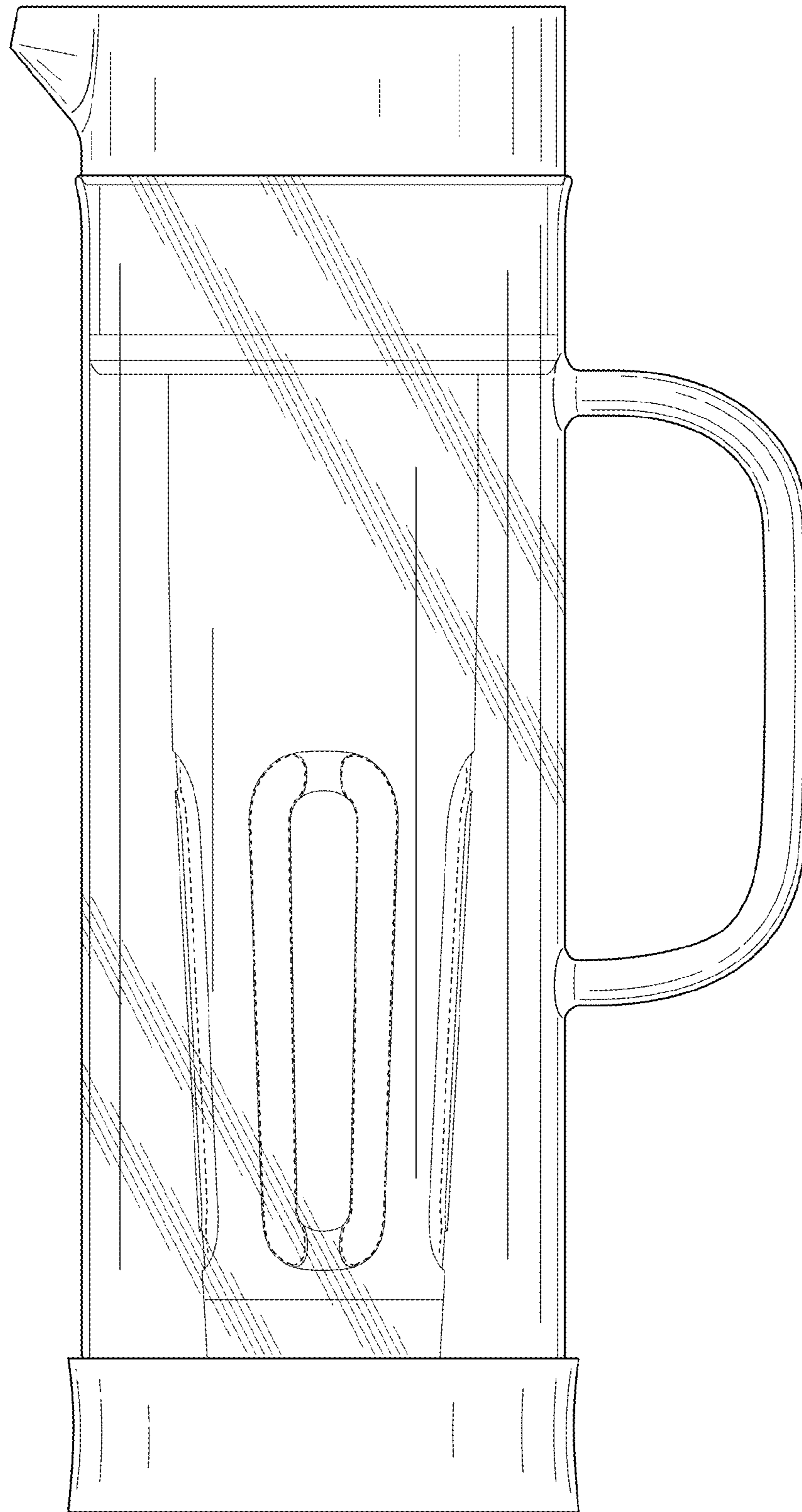


FIG. 5

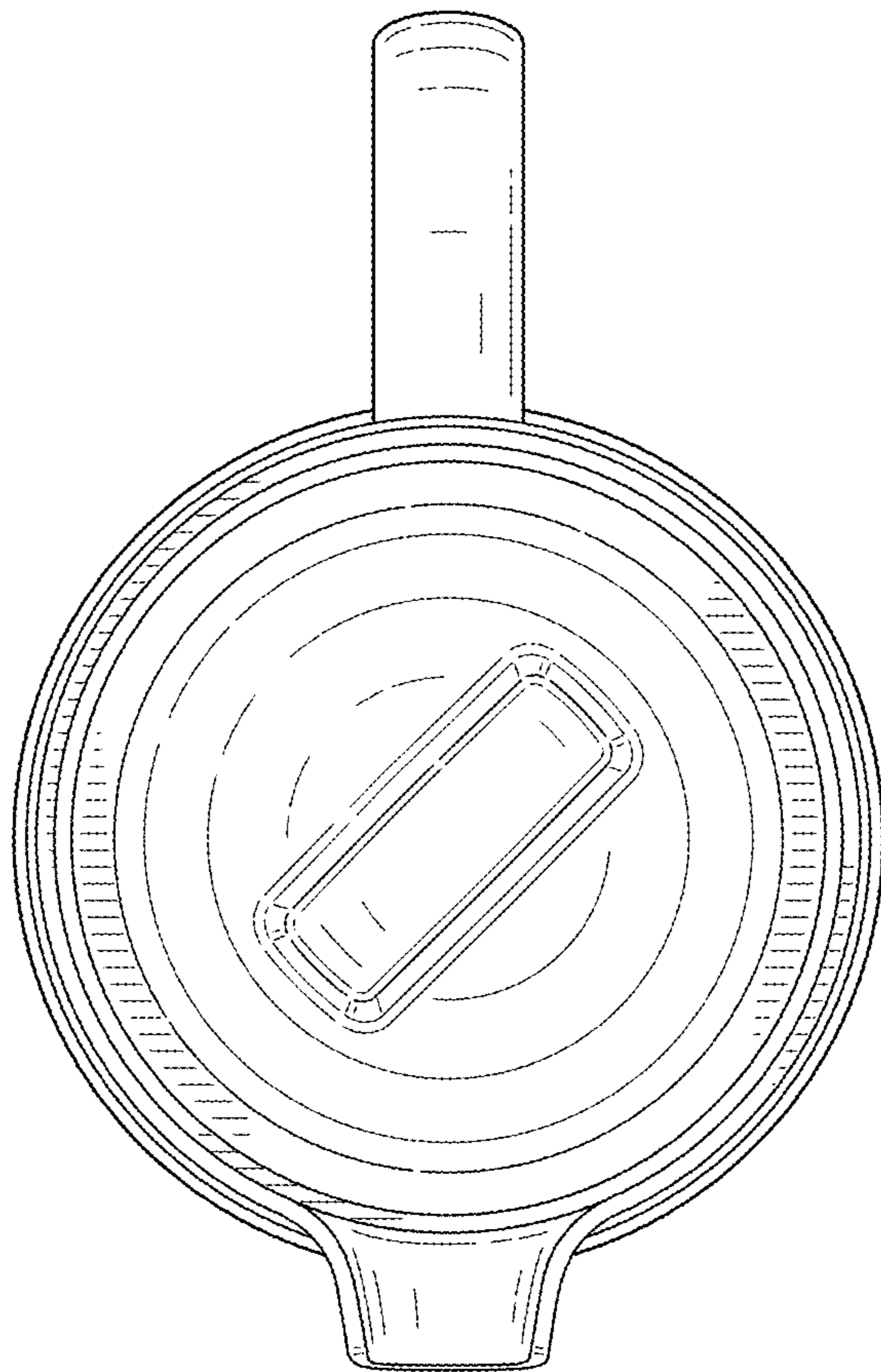


FIG. 6

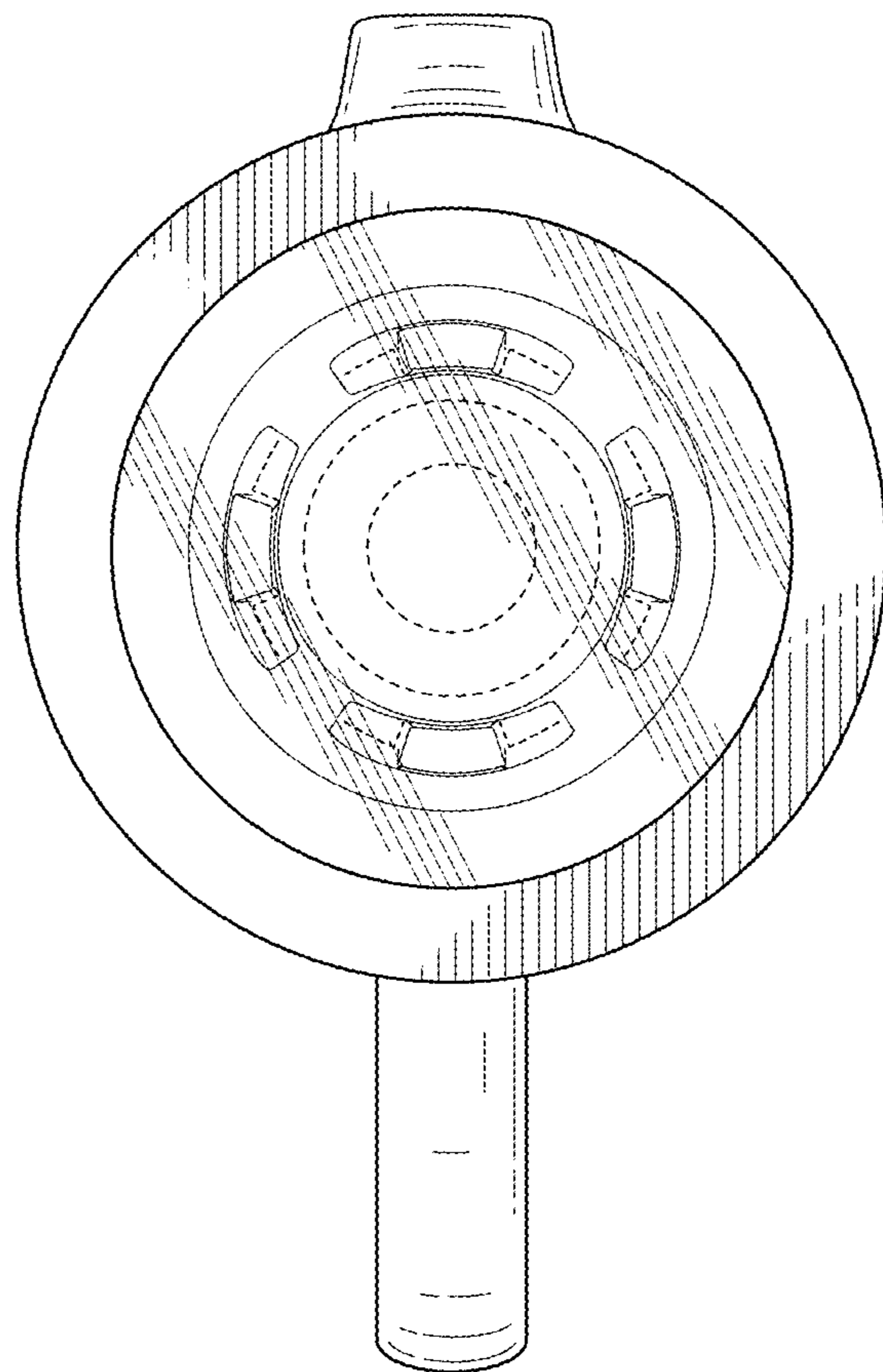


FIG. 7