



US00D734086S

(12) **United States Design Patent**
Tseng et al.

(10) **Patent No.:** **US D734,086 S**
(45) **Date of Patent:** **** Jul. 14, 2015**

- (54) **BEVERAGE MACHINE**
- (71) Applicants: **Shun-Chuan Tseng**, Taipei (TW);
Chang-Xin Ye, Taipei (TW);
Ming-Chieh Chen, Taipei (TW)
- (72) Inventors: **Shun-Chuan Tseng**, Taipei (TW);
Chang-Xin Ye, Taipei (TW);
Ming-Chieh Chen, Taipei (TW)
- (73) Assignee: **PEGATRON CORPORATION**, Taipei (TW)
- (**) Term: **14 Years**
- (21) Appl. No.: **29/492,436**
- (22) Filed: **May 30, 2014**
- (51) **LOC (10) Cl.** **07-01**
- (52) **U.S. Cl.**
USPC **D7/306; D7/313**
- (58) **Field of Classification Search**
USPC D7/397, 301, 300, 398, 313, 306-308,
D7/309-311; 239/445, 583; 222/511, 25,
222/192, 153.02, 185.1, 146.6; D20/8
CPC B67D 1/0084; B67D 1/0041; B67D 3/00;
A47J 31/00
See application file for complete search history.

D310,612 S *	9/1990	Desrosiers	D7/307
D456,663 S *	5/2002	Chew	D7/306
6,708,848 B2 *	3/2004	Sheridan et al.	222/146.6
D642,849 S *	8/2011	Wang	D7/306
D643,240 S *	8/2011	Yui	D7/307
D643,666 S *	8/2011	Yui	D7/307
D643,667 S *	8/2011	Yui	D7/307
D691,203 S *	10/2013	d'Amore et al.	D20/1
D693,407 S *	11/2013	d'Amore et al.	D20/8

* cited by examiner

Primary Examiner — Marianne Pandozzi
(74) *Attorney, Agent, or Firm* — J.C. Patents

(57) **CLAIM**

The ornamental design for a beverage machine, as shown and described.

DESCRIPTION

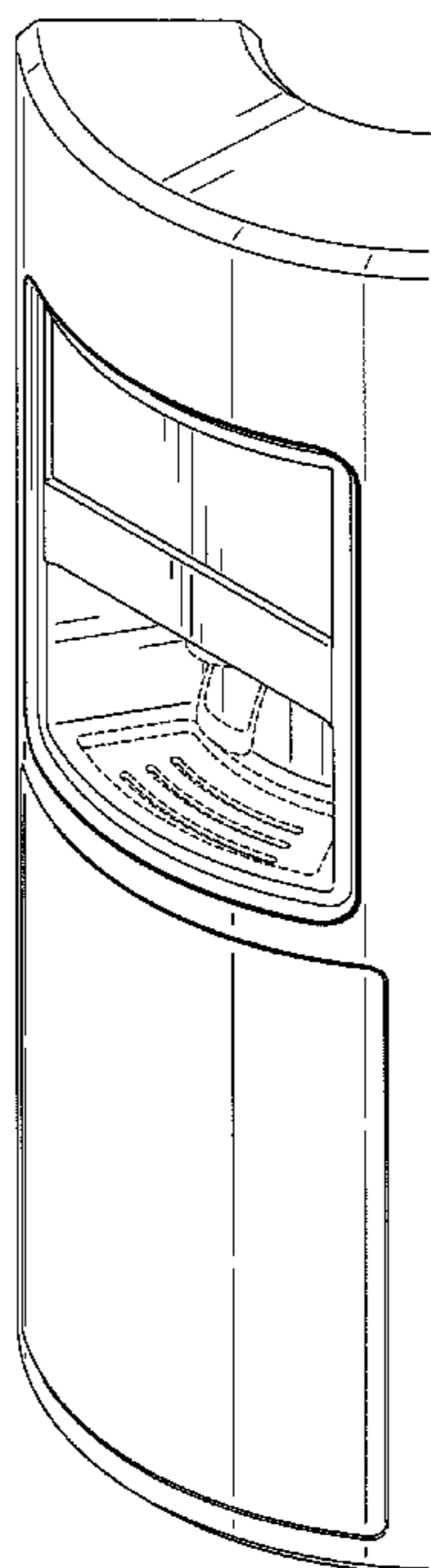
FIG. 1 is a perspective view of a beverage machine showing our new design;
FIG. 2 is a front view thereof;
FIG. 3 is a rear view thereof;
FIG. 4 is a left view thereof;
FIG. 5 is a right view thereof;
FIG. 6 is a top view thereof;
FIG. 7 is a bottom view thereof;
FIG. 8 is an environmental perspective view thereof;
FIG. 9 is an environmental perspective view thereof; and,
FIG. 10 is an environmental perspective view thereof.
The broken lines in the drawings are included for the purpose of illustration and form no part of the claimed design.

1 Claim, 8 Drawing Sheets

(56) **References Cited**

U.S. PATENT DOCUMENTS

D136,370 S *	9/1943	Norris	D7/307
D289,724 S *	5/1987	Runyon	D7/306



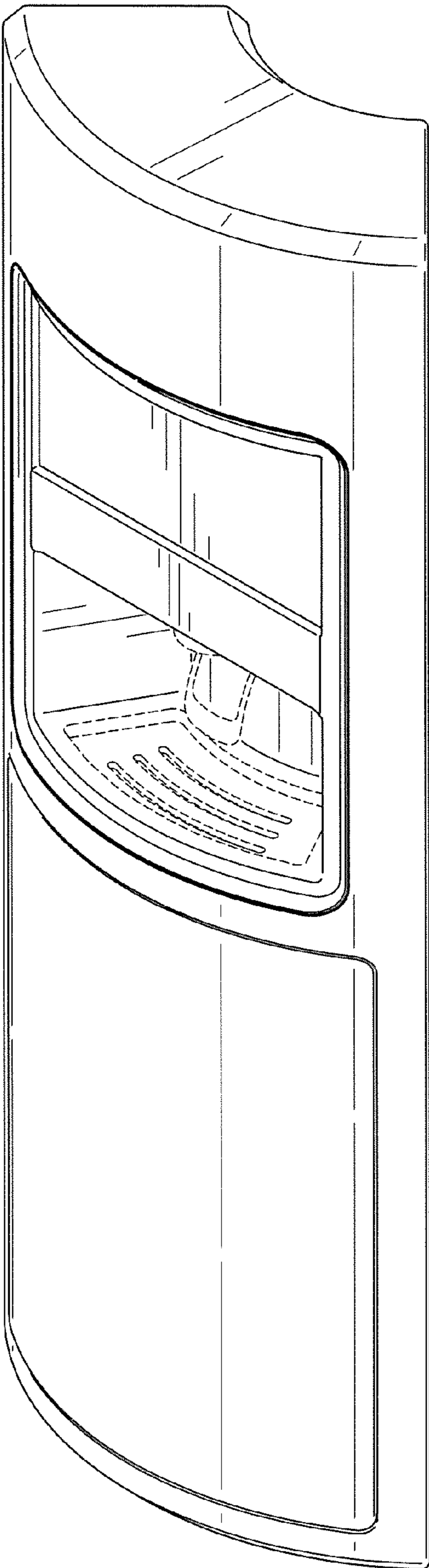


FIG. 1

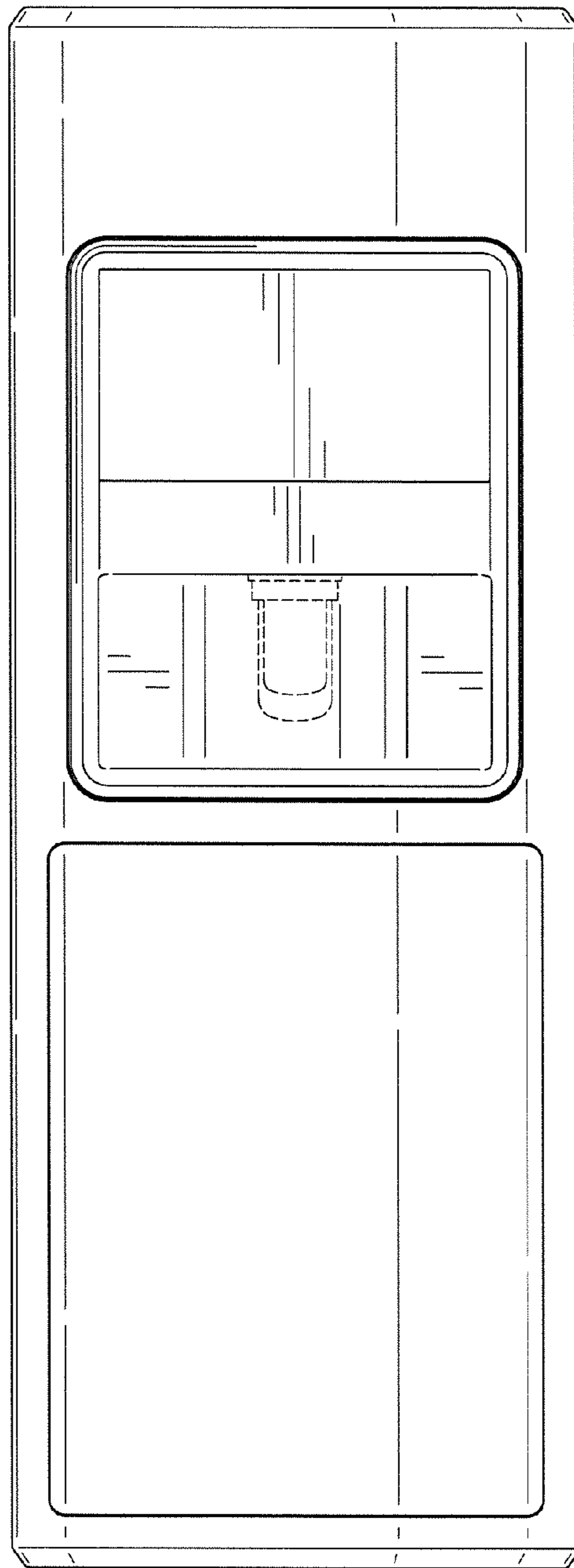


FIG. 2

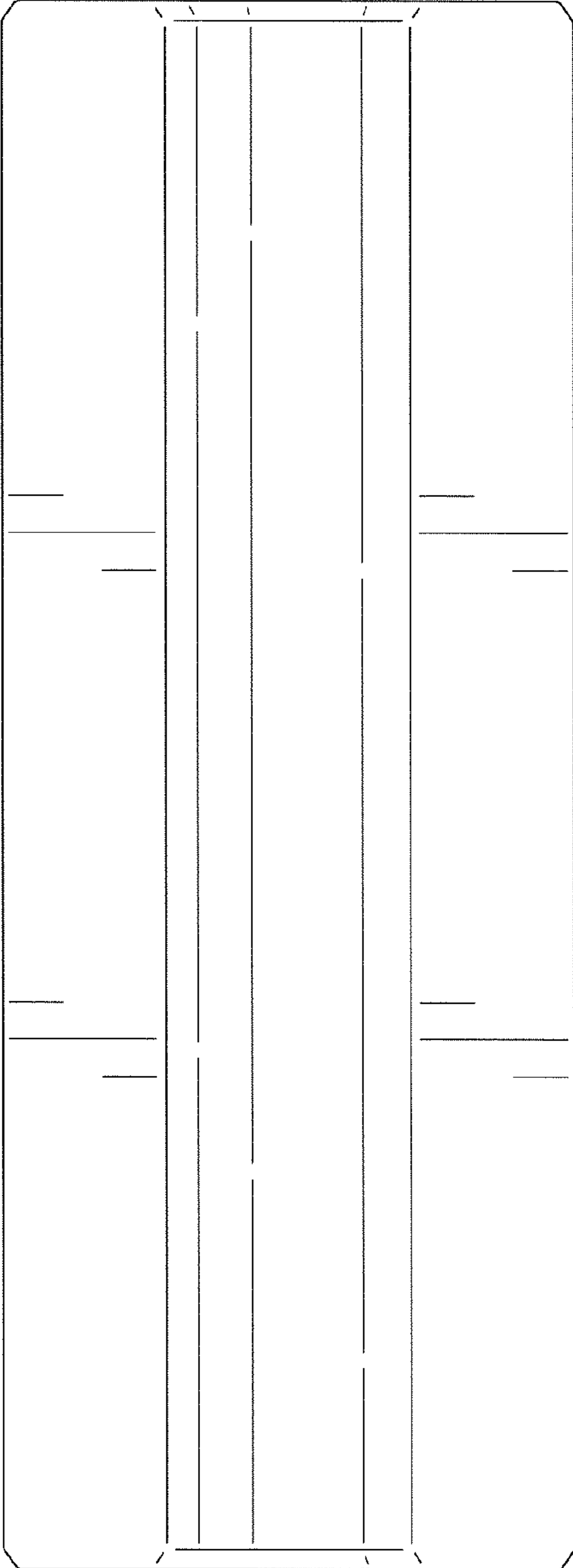


FIG. 3

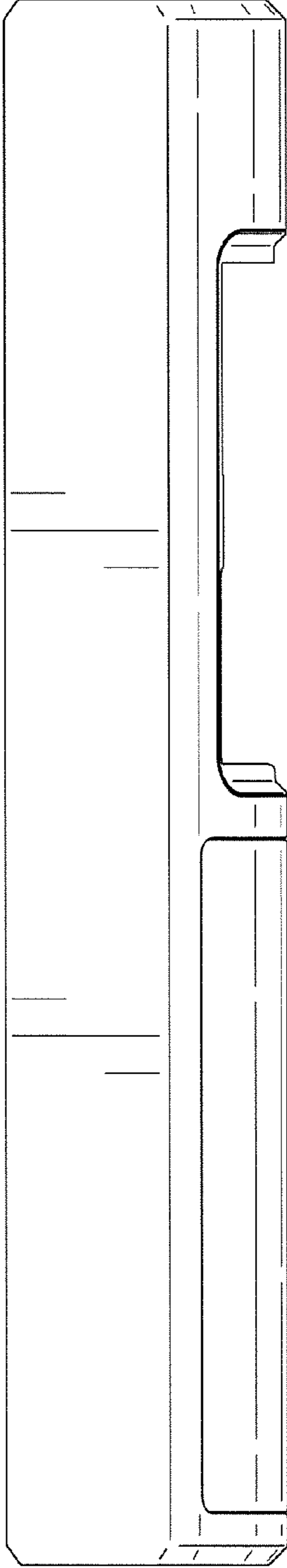


FIG. 4

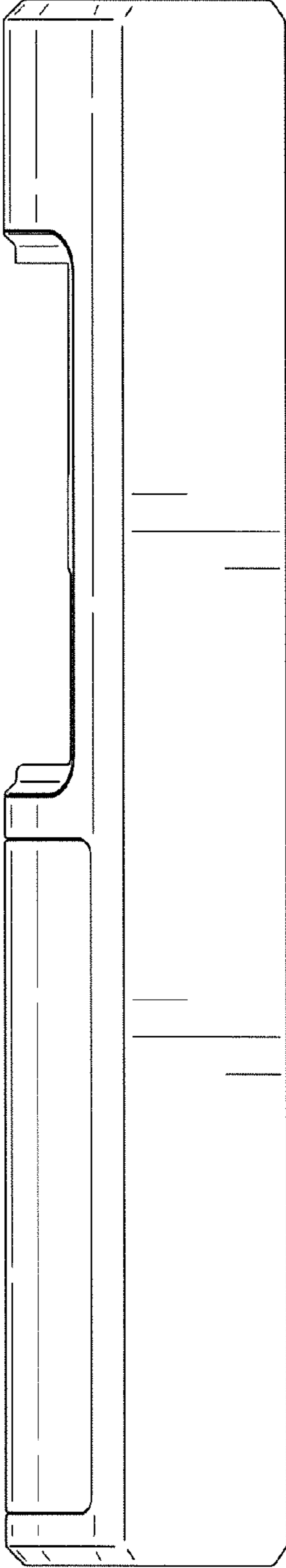


FIG. 5

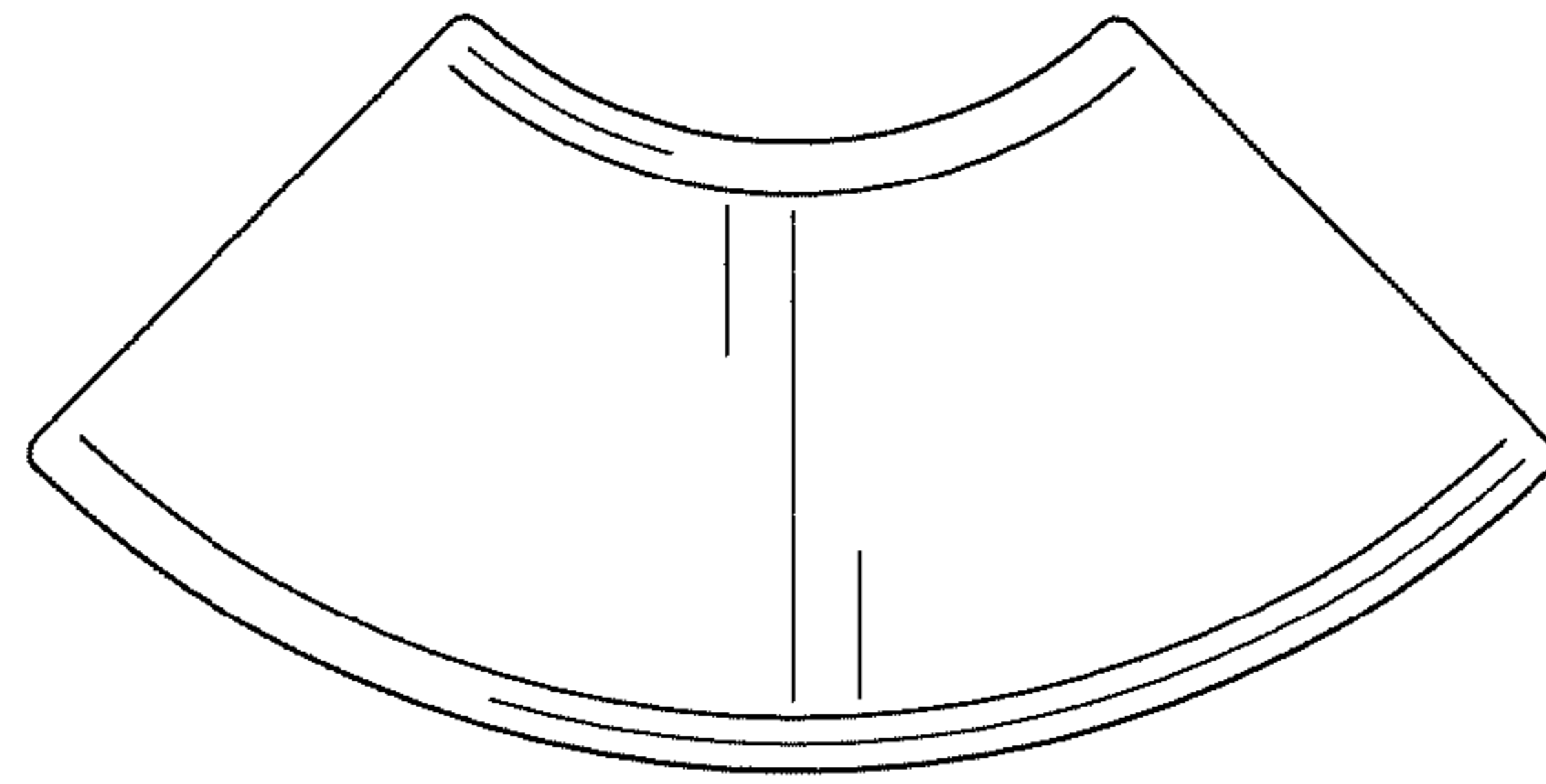


FIG. 6

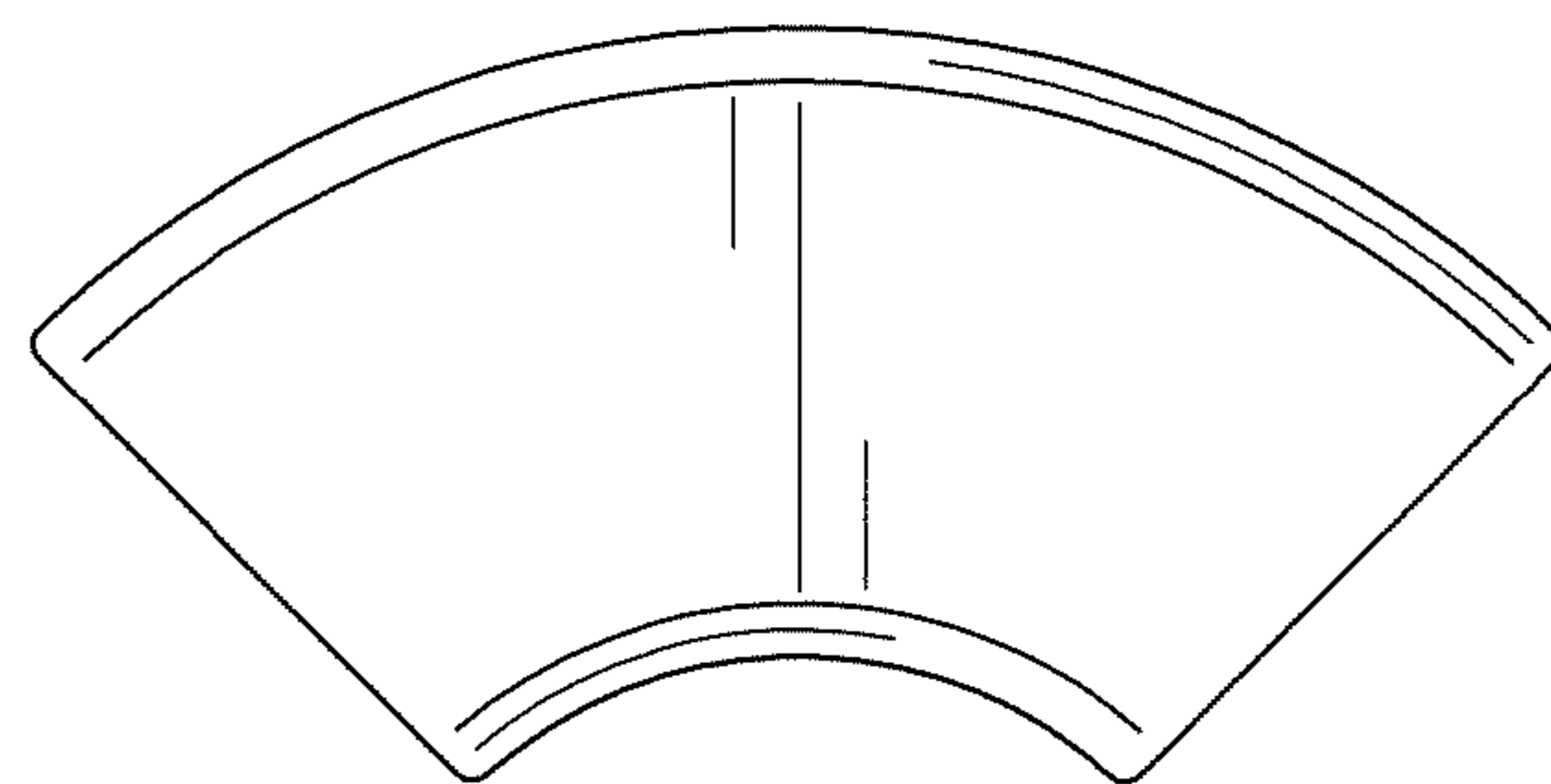


FIG. 7

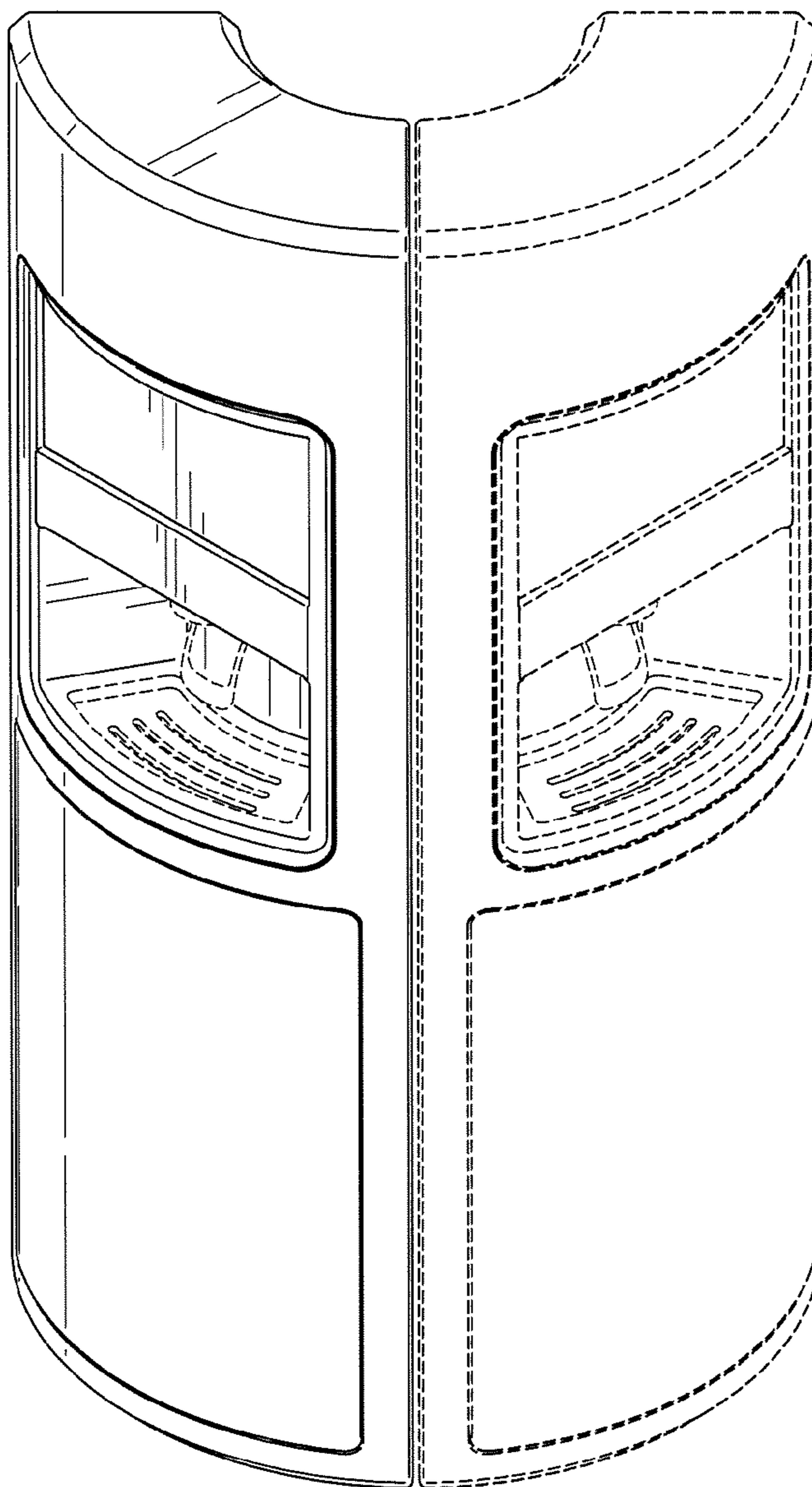


FIG. 8

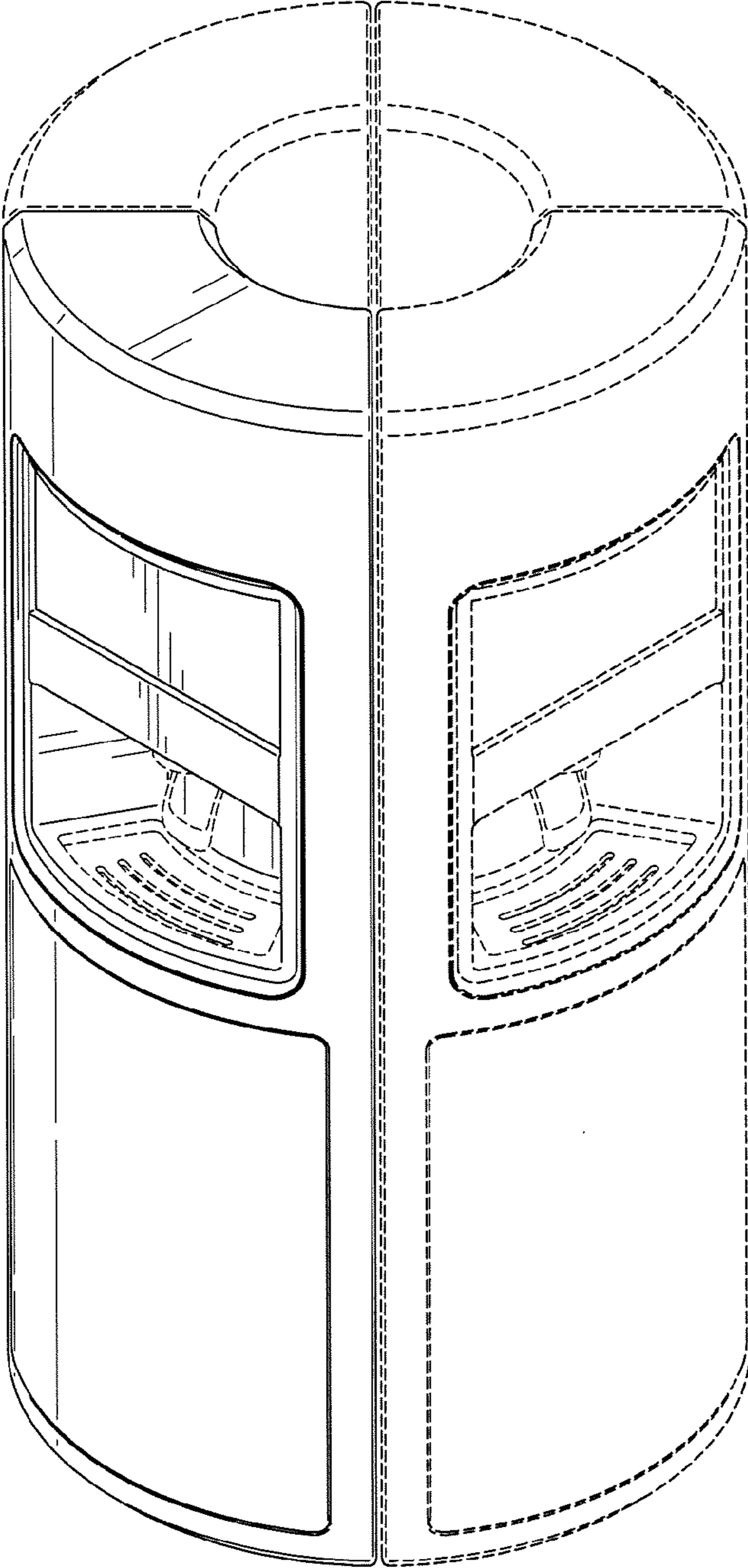


FIG. 9

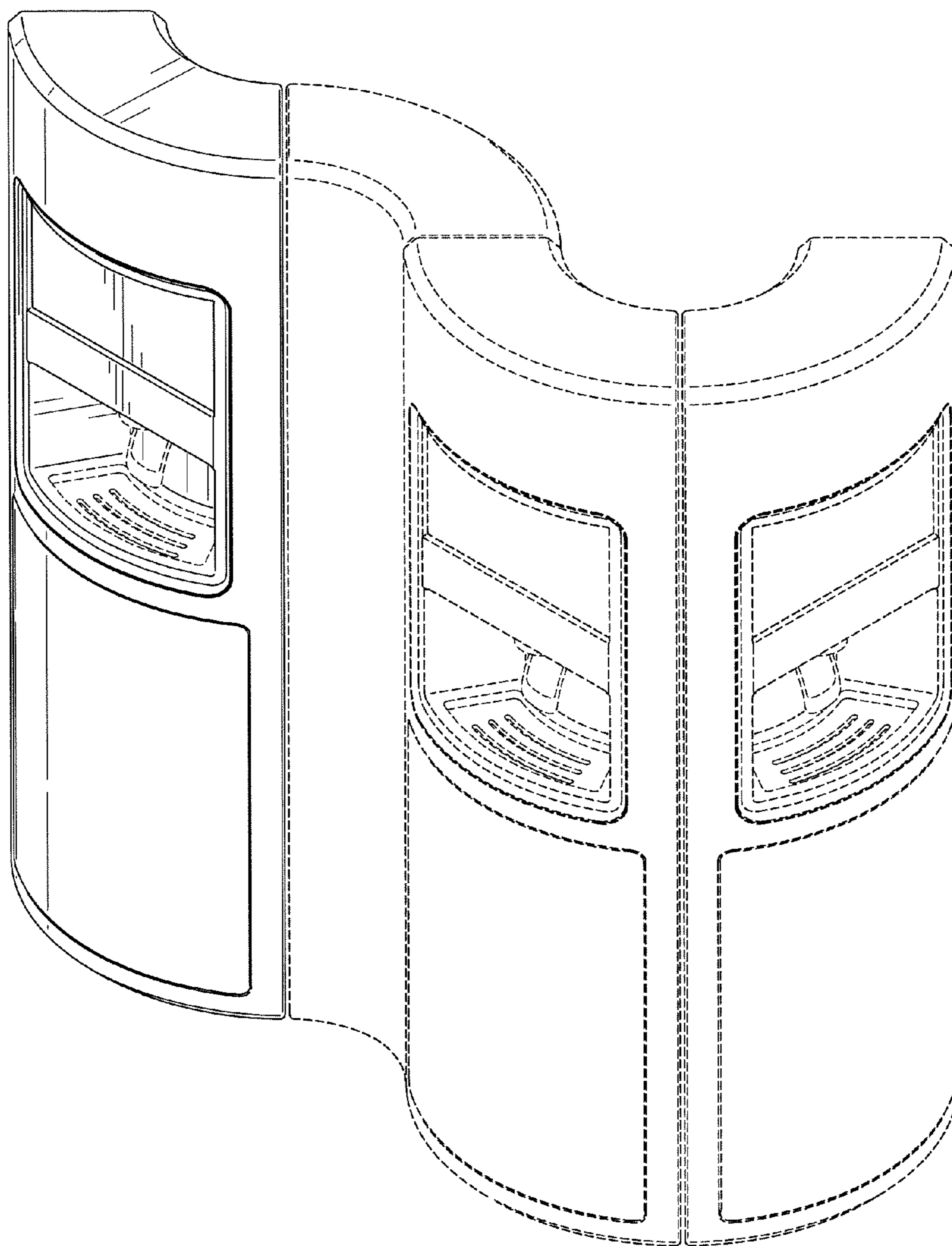


FIG. 10