

US00D734080S

(12) **United States Design Patent**  
**Ogawa**

(10) **Patent No.:** **US D734,080 S**  
(45) **Date of Patent:** **\*\* Jul. 14, 2015**

(54) **KITCHEN COUNTER**

(71) Applicant: **Hirohisa Ogawa, Zushi (JP)**

(72) Inventor: **Hirohisa Ogawa, Zushi (JP)**

(\*\*) Term: **14 Years**

(21) Appl. No.: **29/461,204**

(22) Filed: **Jul. 19, 2013**

**Related U.S. Application Data**

(62) Division of application No. 29/399,512, filed on Aug. 15, 2011, now Pat. No. Des. 692,706.

(30) **Foreign Application Priority Data**

Feb. 25, 2011 (JP) ..... 2011-004214  
Feb. 25, 2011 (JP) ..... 2011-004215  
Feb. 25, 2011 (JP) ..... 2011-004216  
Feb. 25, 2011 (JP) ..... 2011-004217

(51) **LOC (10) Cl.** ..... **06-02**

(52) **U.S. Cl.**  
USPC ..... **D6/707; D6/707.22**

(58) **Field of Classification Search**  
USPC ..... D6/697, 337, 641, 650, 650.1, 648, 668,  
D6/668.2, 669, 707.22, 708, 691.6, 656.15,  
D6/651, 697.2, 338, 335, 660, 707.15;  
D23/271, 286; D18/40, 56; 108/50.01,  
108/24, 25, 59, 50.02; 414/12; 126/211;  
312/198, 208.1  
See application file for complete search history.

(56) **References Cited**

**U.S. PATENT DOCUMENTS**

D165,584 S \* 1/1952 Johnson ..... D6/482  
D166,360 S \* 4/1952 Shin ..... D6/482  
D207,713 S \* 5/1967 Sullivan ..... D6/511  
D295,244 S \* 4/1988 Bauman ..... D6/438  
D314,288 S \* 2/1991 Andrews ..... D6/422

D342,634 S \* 12/1993 Barlow-Lawson ..... D6/511  
D379,874 S \* 6/1997 Stirling et al. .... D6/338  
D401,791 S \* 12/1998 Schwab ..... D6/486  
D414,634 S \* 10/1999 Smith et al. .... D6/511  
D429,087 S \* 8/2000 Gilbert ..... D6/422  
D430,425 S \* 9/2000 Hazen et al. .... D6/438  
D439,439 S \* 3/2001 Hazen et al. .... D6/441  
D440,798 S \* 4/2001 Kuhlman et al. .... D6/511  
D450,949 S \* 11/2001 Grabowski et al. .... D6/480  
D451,303 S \* 12/2001 Lee ..... D6/446  
D452,088 S \* 12/2001 Hokanson ..... D6/446  
D459,121 S \* 6/2002 Smith ..... D6/511  
6,463,862 B1 \* 10/2002 Kuhlman et al. .... 108/50.01  
D479,417 S \* 9/2003 Couture et al. .... D6/511  
D483,962 S \* 12/2003 Stanton ..... D6/441

(Continued)

**OTHER PUBLICATIONS**

www.lumberjock.com/projects/16660 ,project by jlsmith, 2009.\*

*Primary Examiner* — Cathron Brooks

*Assistant Examiner* — Teddy Falloway

(74) *Attorney, Agent, or Firm* — Strategy IP, a professional law corp.

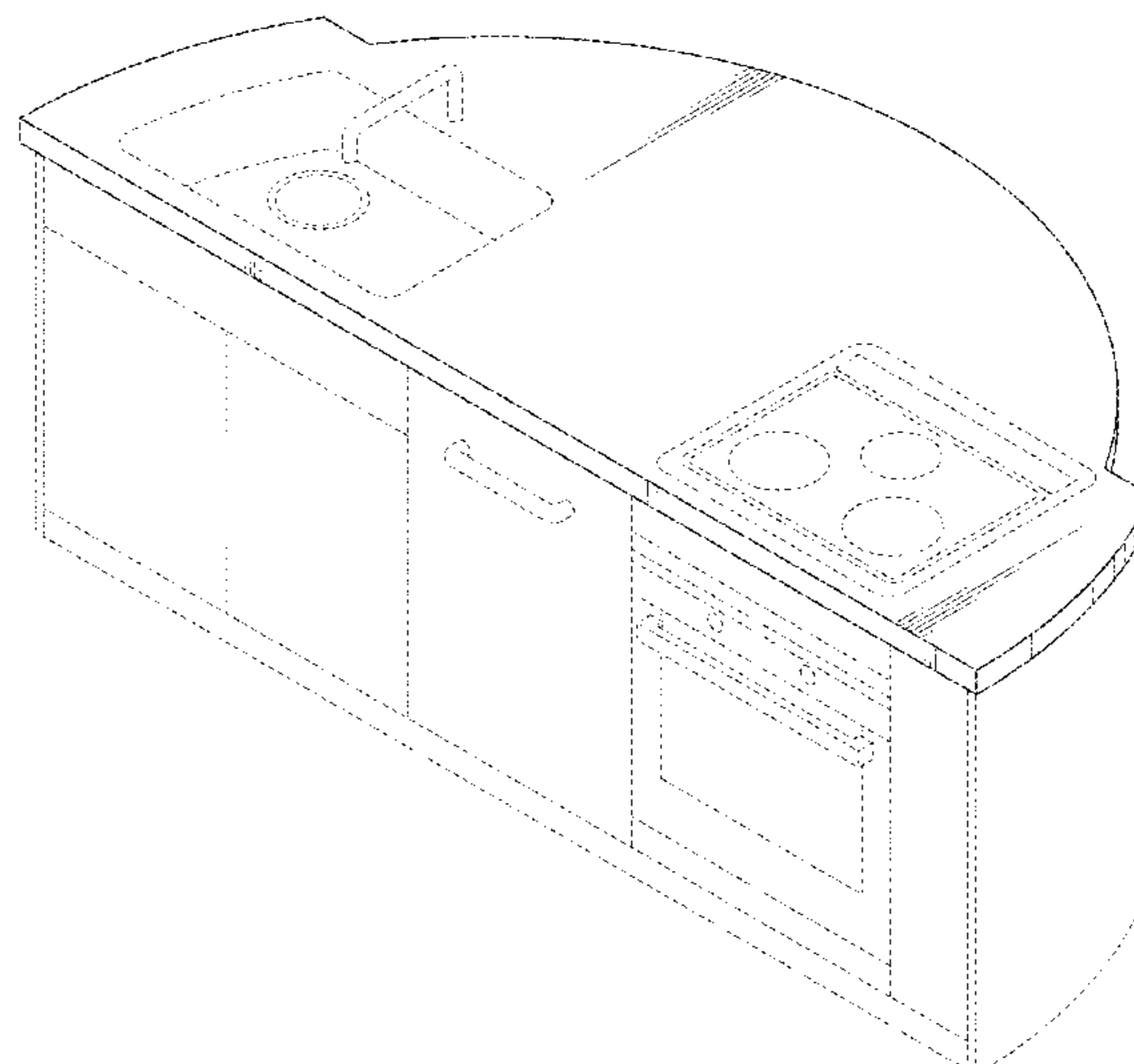
(57) **CLAIM**

The ornamental design for a kitchen counter, as shown and described.

**DESCRIPTION**

FIG. 1 is a front, top, and right side perspective view of a kitchen counter, showing my new design;  
FIG. 2 is a rear, top and right side perspective view thereof;  
FIG. 3 is a front elevational view thereof;  
FIG. 4 is a rear elevational view thereof;  
FIG. 5 is a top plan view thereof;  
FIG. 6 is a bottom plan view thereof; and,  
FIG. 7 is a right side elevational view thereof; the opposite side being a mirror image thereof.  
The broken lines shown are included for the purpose of illustrating the environment in which the article resides and form no part of the claimed design.

**1 Claim, 7 Drawing Sheets**



(56)

References Cited

U.S. PATENT DOCUMENTS

D495,540 S *	9/2004	Lipsztein .....	D6/511	D610,380 S *	2/2010	Momeny .....	D6/511
D495,541 S *	9/2004	Lipsztein .....	D6/511	D615,324 S *	5/2010	Yamamoto .....	D6/482
D495,543 S *	9/2004	Lipsztein .....	D6/511	D616,676 S *	6/2010	Toshima .....	D6/495
D525,288 S *	7/2006	Rieck .....	D18/40	D620,731 S *	8/2010	Ogawa .....	D6/511
D529,100 S *	9/2006	Fischer .....	D21/369	D626,361 S *	11/2010	Ogawa .....	D6/511
D599,134 S *	9/2009	Jeup .....	D6/441	D627,997 S *	11/2010	Ogawa .....	D6/511
D599,895 S *	9/2009	Heinz et al. ....	D23/286	D665,191 S *	8/2012	Yamamoto .....	D6/429
D604,529 S *	11/2009	Bloch et al. ....	D6/422	D669,282 S *	10/2012	Yamamoto .....	D6/429
				D672,163 S *	12/2012	Wells et al. ....	D6/406.3
				2007/0169770 A1 *	7/2007	Kuwamura .....	126/211
				2009/0180843 A1 *	7/2009	Jackson et al. ....	414/12

\* cited by examiner

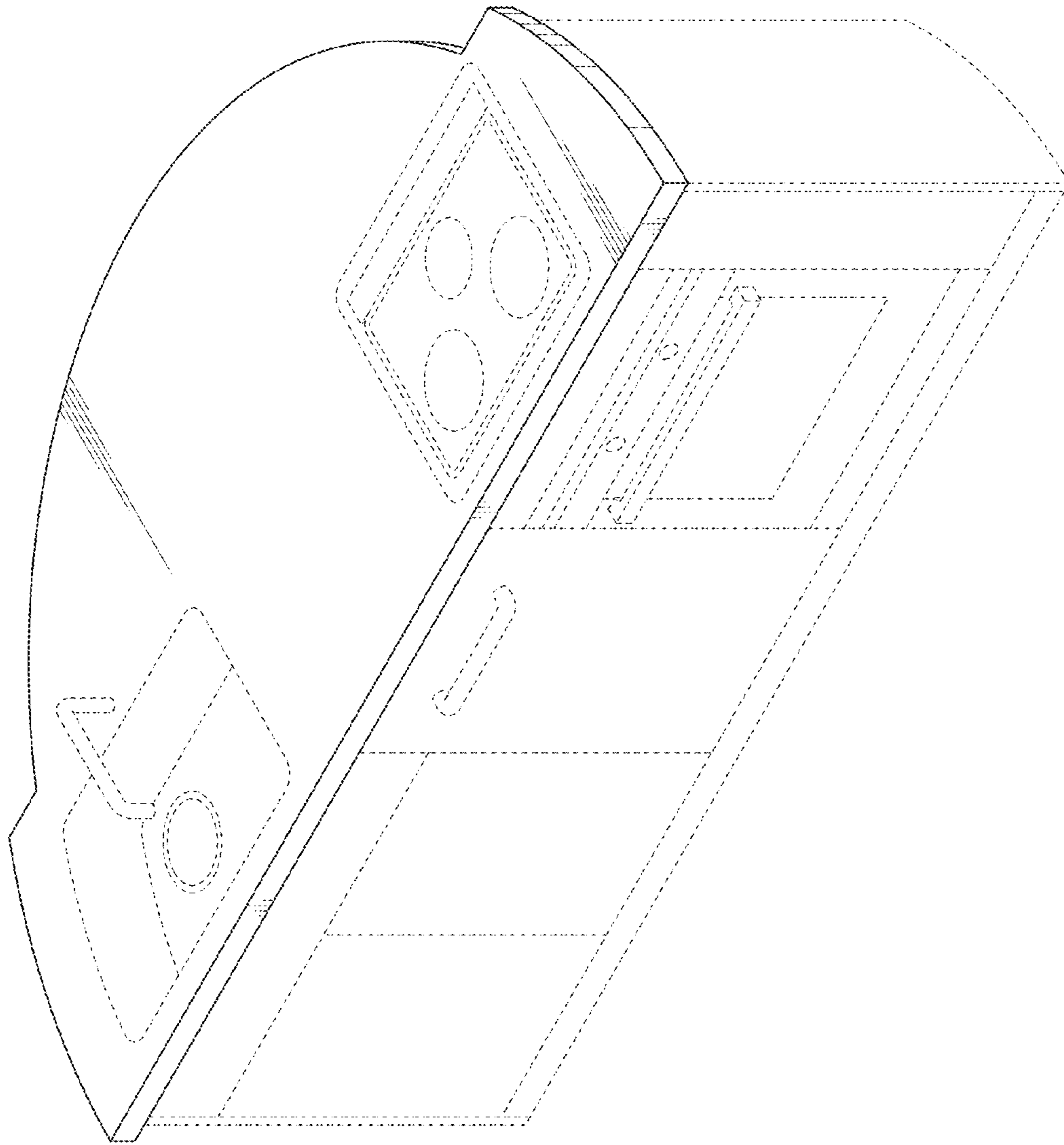


FIG. 1

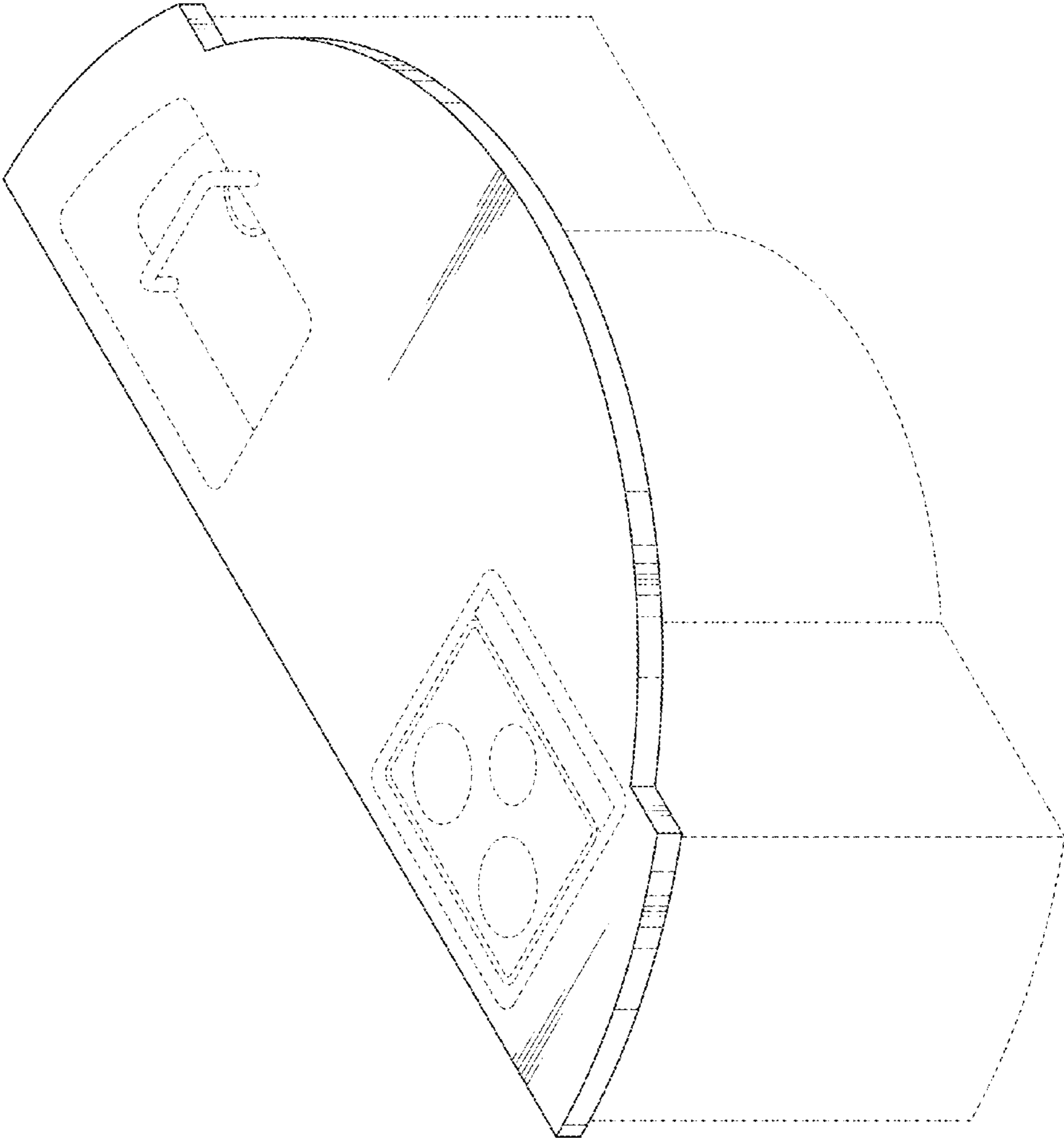


FIG. 2

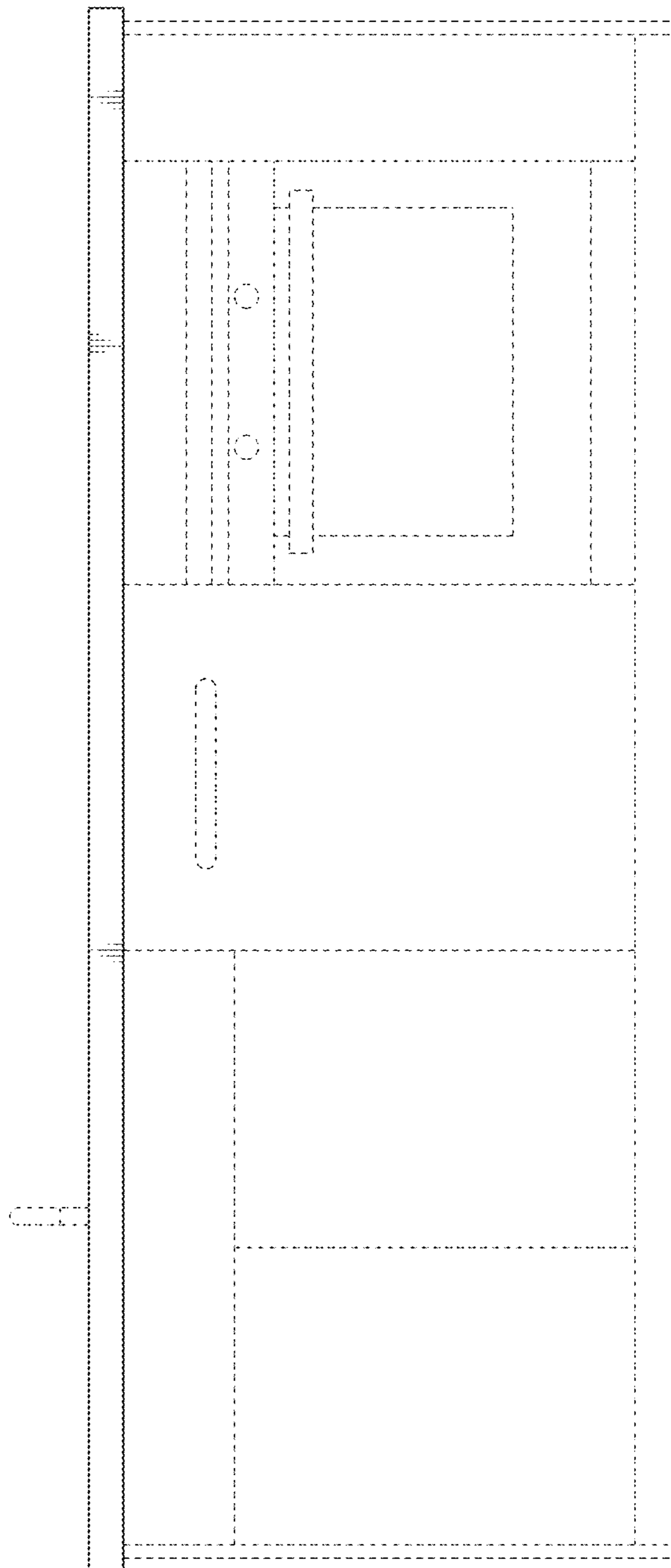


FIG. 3

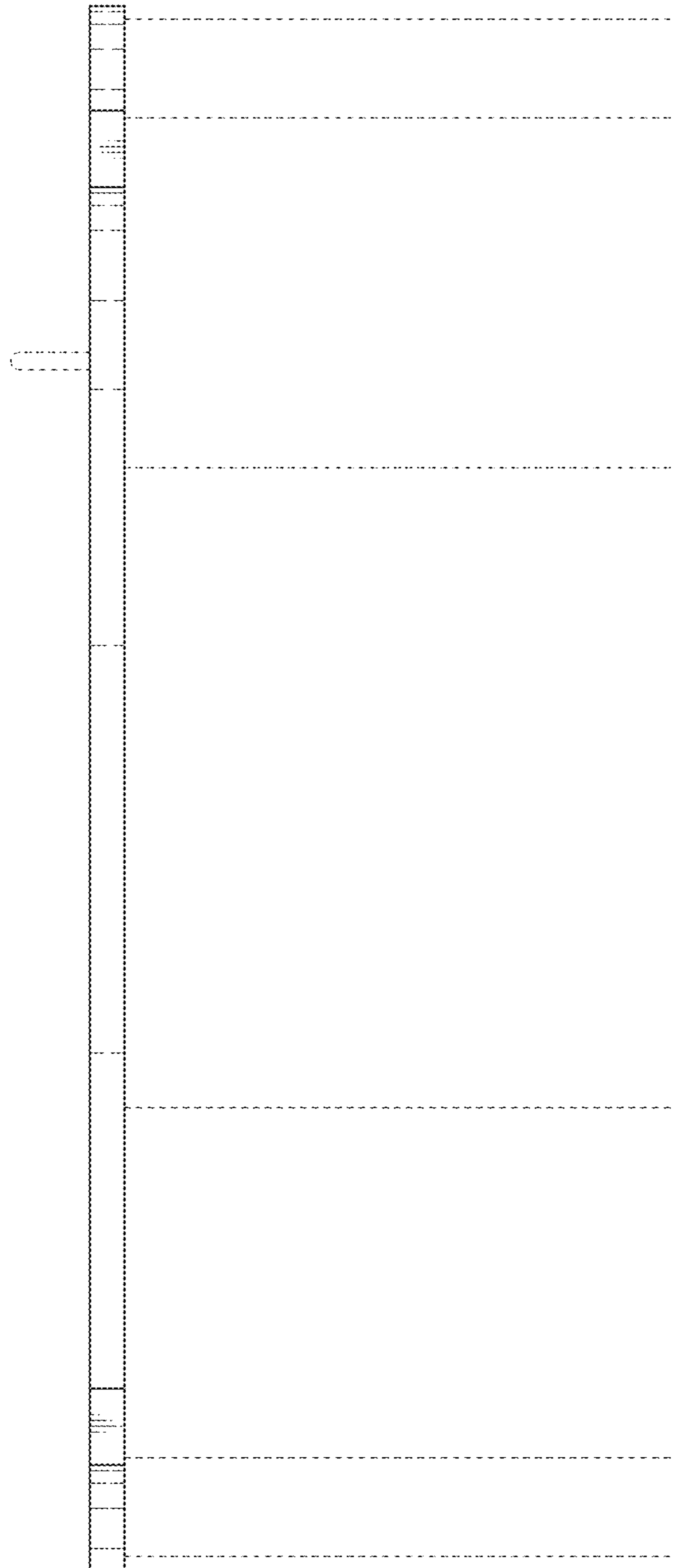


FIG. 4



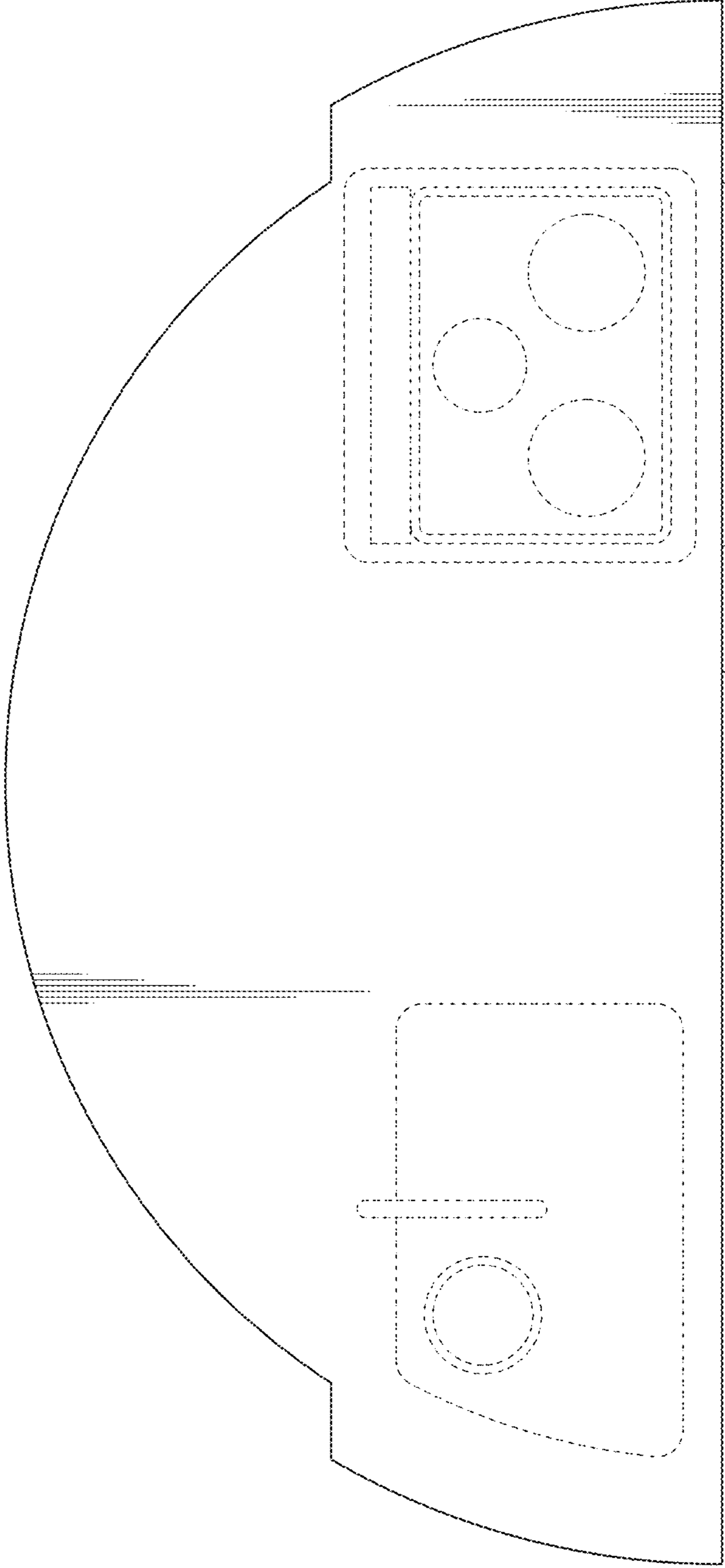


FIG. 5

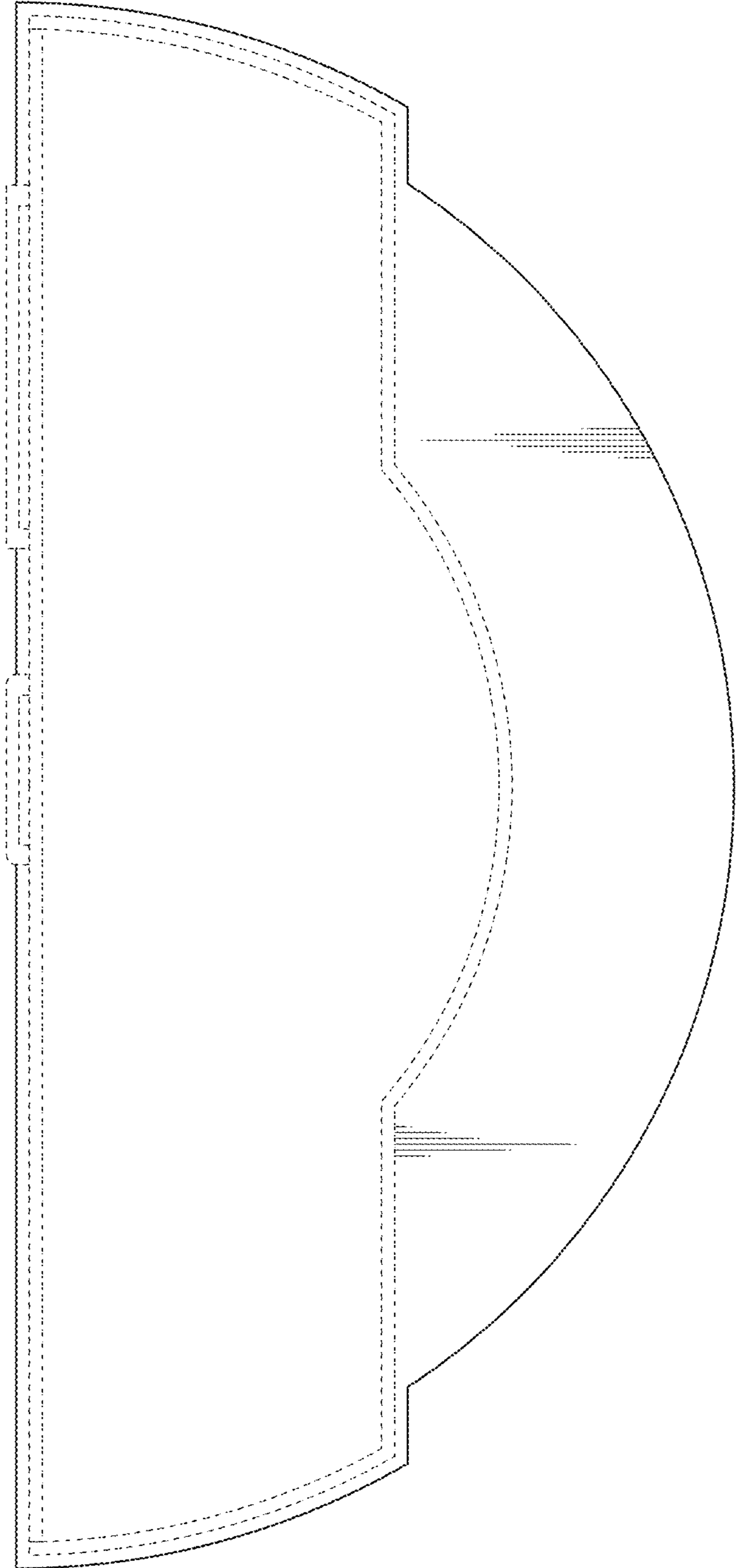


FIG. 6



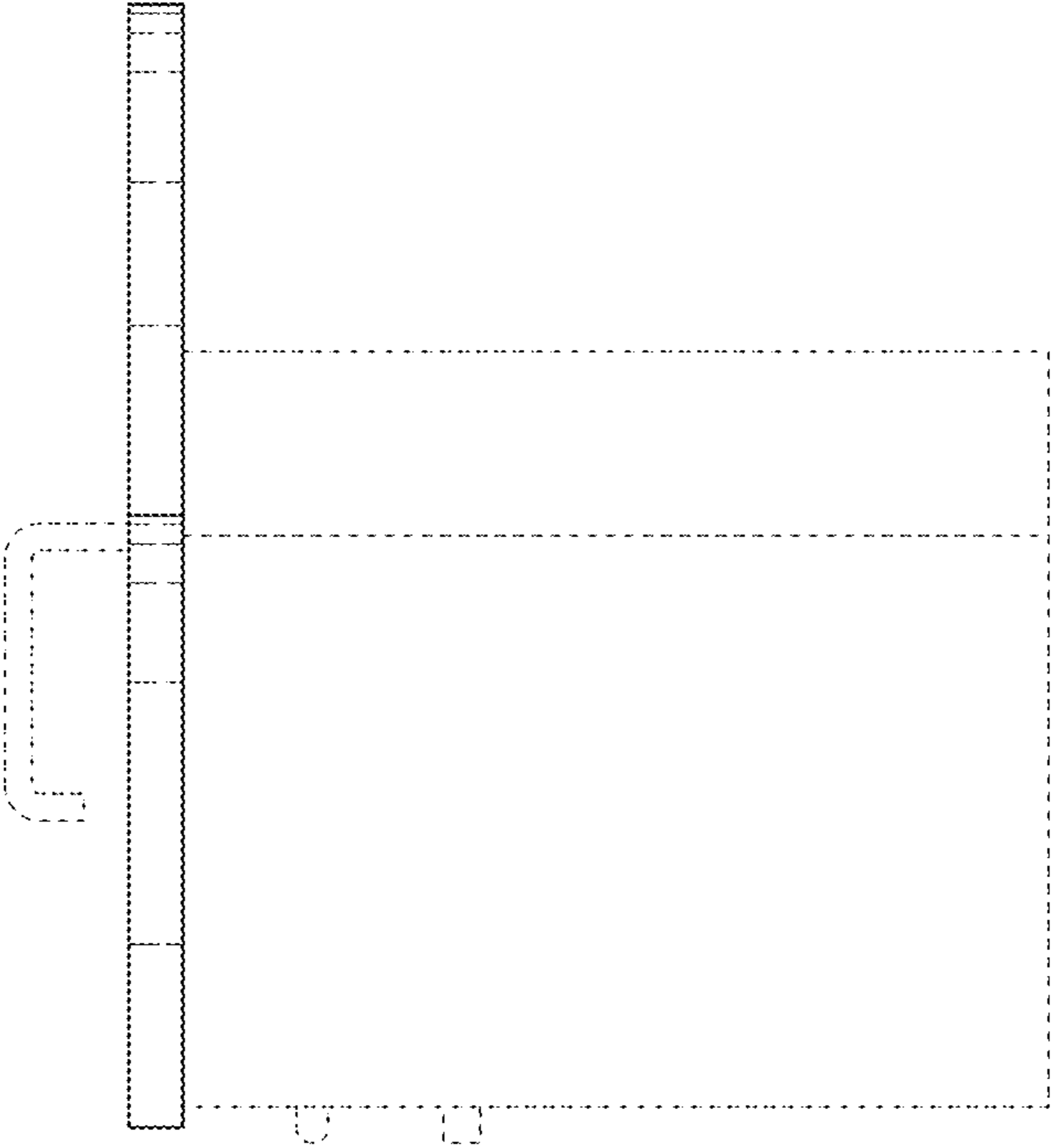


FIG. 7