

US00D734079S

(12) **United States Design Patent**  
**Roth**

(10) **Patent No.:** **US D734,079 S**  
(45) **Date of Patent:** **\*\* Jul. 14, 2015**

(54) **LECTERN**

(71) Applicant: **Jacob Roth**, Brooklyn, NY (US)

(72) Inventor: **Jacob Roth**, Brooklyn, NY (US)

(73) Assignee: **Mefoar Judaica**, Brooklyn, NY (US)

(\*\*) Term: **14 Years**

(21) Appl. No.: **29/465,186**

(22) Filed: **Aug. 26, 2013**

(51) **LOC (10) Cl.** ..... **06-03**

(52) **U.S. Cl.**  
USPC ..... **D6/700; D6/656.13**

(58) **Field of Classification Search**  
USPC ..... D6/656, 656.11, 656.12, 656.13,  
D6/656.15, 691.6, 700, 707.19, 691;  
108/50.01, 50.02, 146, 147.19, 150,  
108/153.1, 155, 156, 157.1, 161; 248/453  
CPC ..... A47B 9/00; A47B 9/08; A47B 23/00;  
A47B 9/04

See application file for complete search history.

(56) **References Cited**

U.S. PATENT DOCUMENTS

|               |        |                 |       |         |
|---------------|--------|-----------------|-------|---------|
| 2,794,695 A * | 6/1957 | Heal            | ..... | 108/146 |
| D501,336 S *  | 2/2005 | Lin             | ..... | D6/429  |
| D507,710 S *  | 7/2005 | Fletcher et al. | ..... | D6/487  |
| D612,169 S *  | 3/2010 | Chang           | ..... | D6/429  |
| D641,997 S *  | 7/2011 | Phillips        | ..... | D6/487  |

\* cited by examiner

*Primary Examiner* — Janice Seeger

(74) *Attorney, Agent, or Firm* — Dekel Patent Ltd.; David Klein

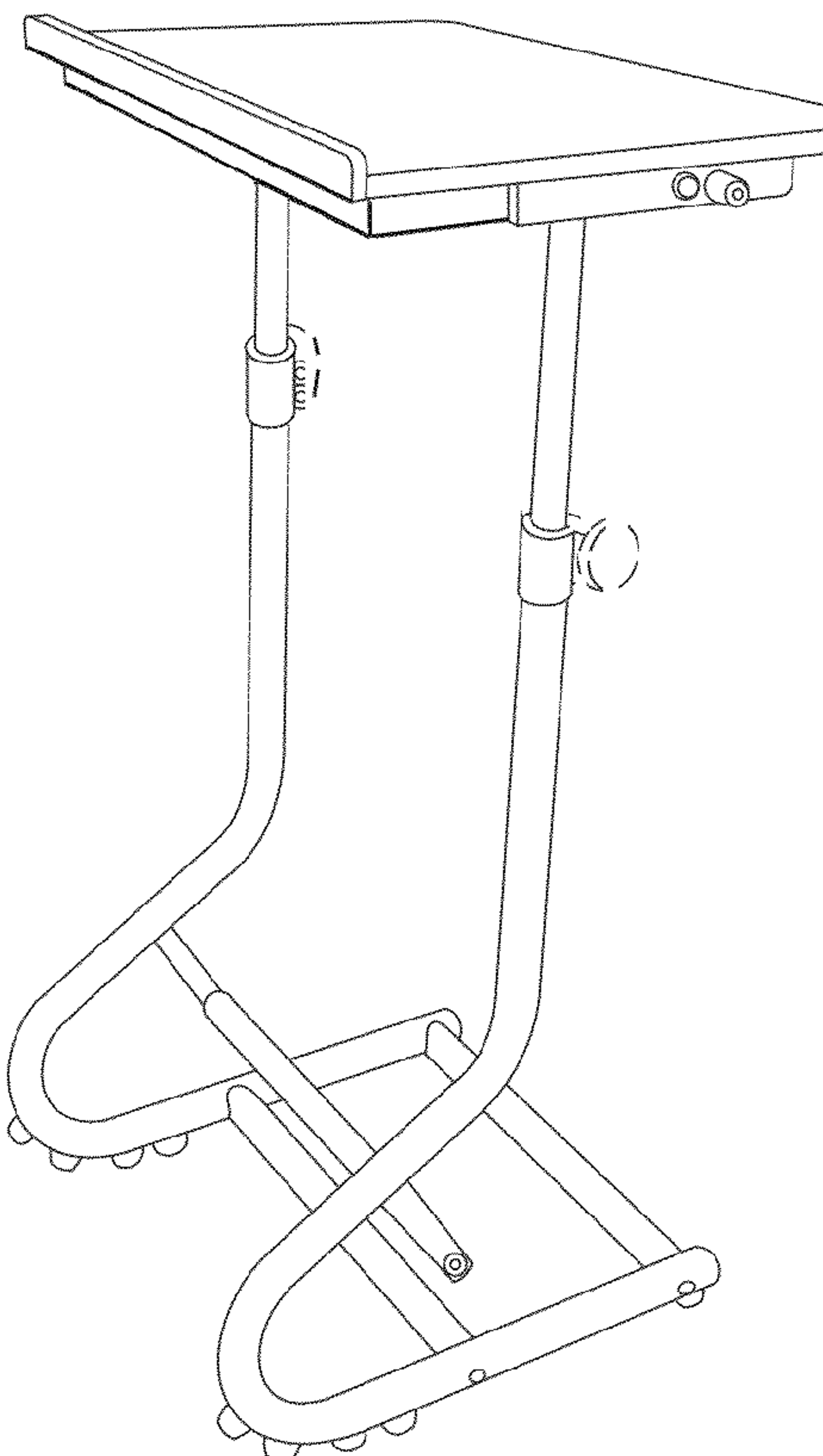
(57) **CLAIM**

The ornamental design for a lectern, as shown and described.

**DESCRIPTION**

FIG. 1 is a front perspective view of the lectern, showing my new design;  
FIG. 2 is a rear perspective view thereof;  
FIG. 3 is a perspective view thereof; and,  
FIG. 4 is side perspective view thereof.  
The broken lines are for environmental purposes only and form no part of the claimed design.

**1 Claim, 1 Drawing Sheet**



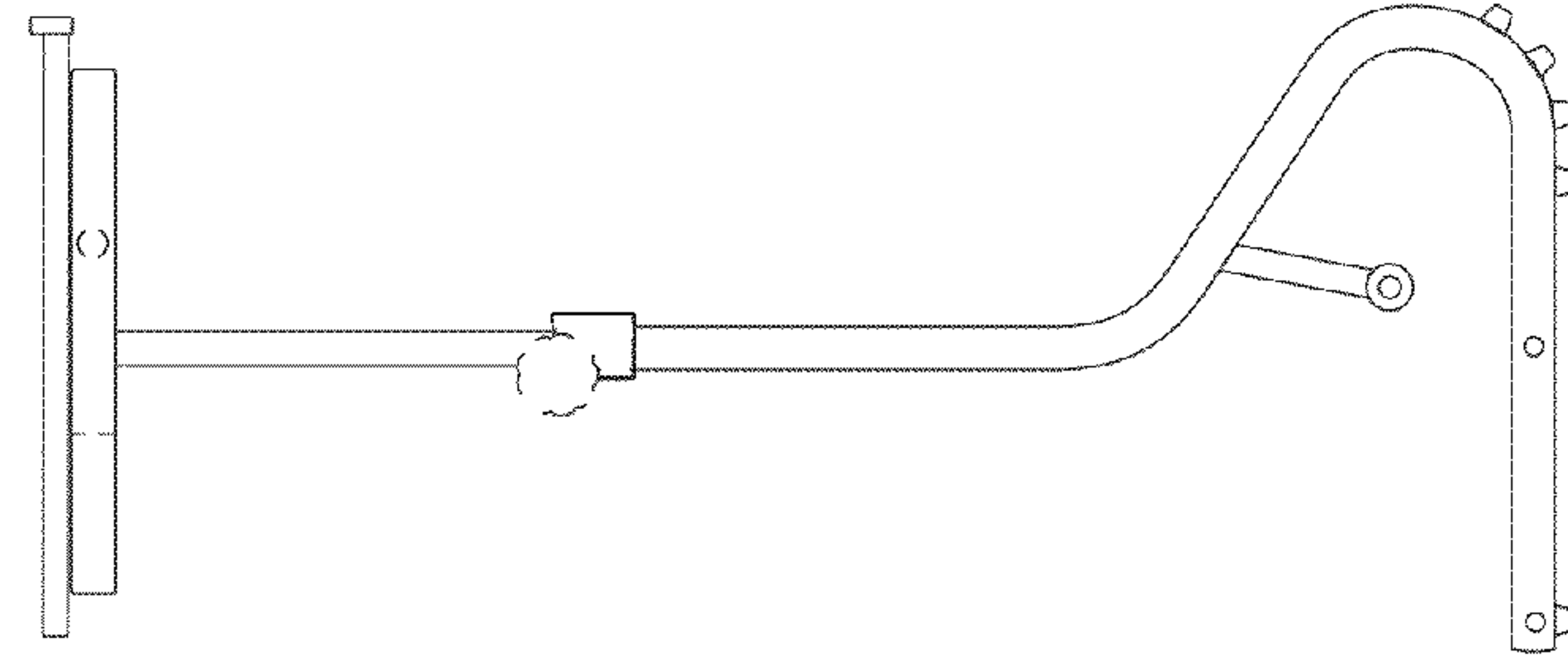


FIG. 4

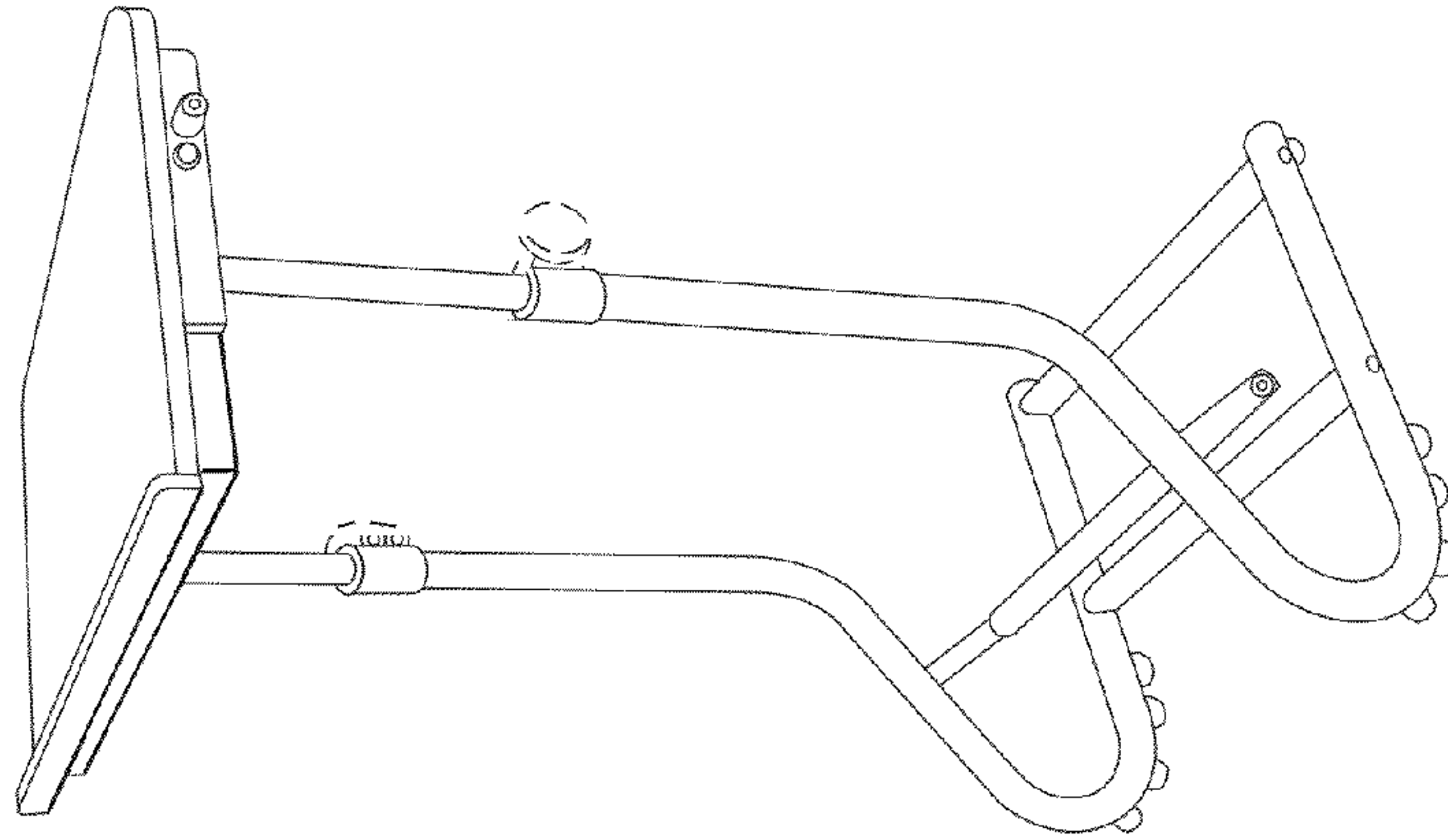


FIG. 3

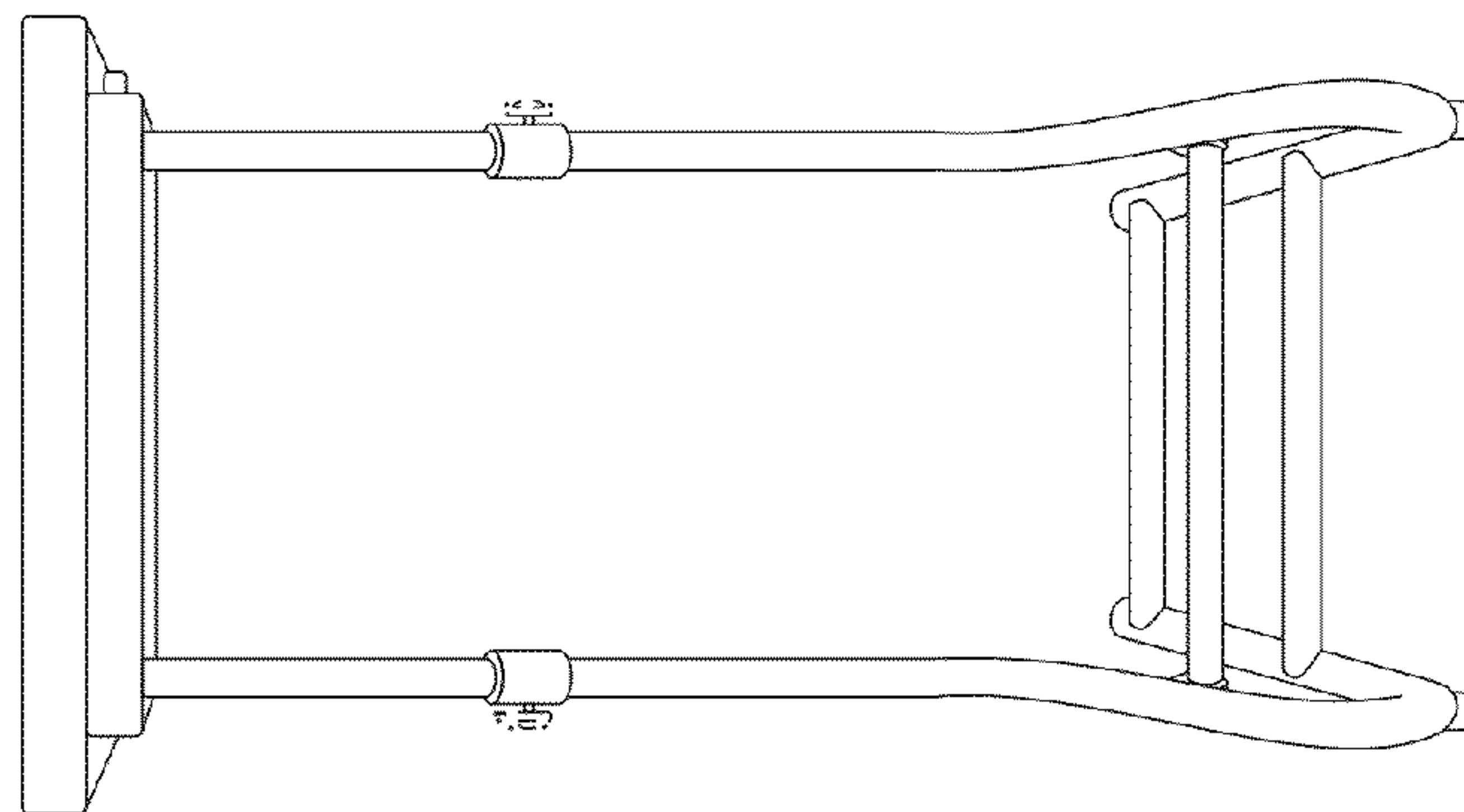


FIG. 2

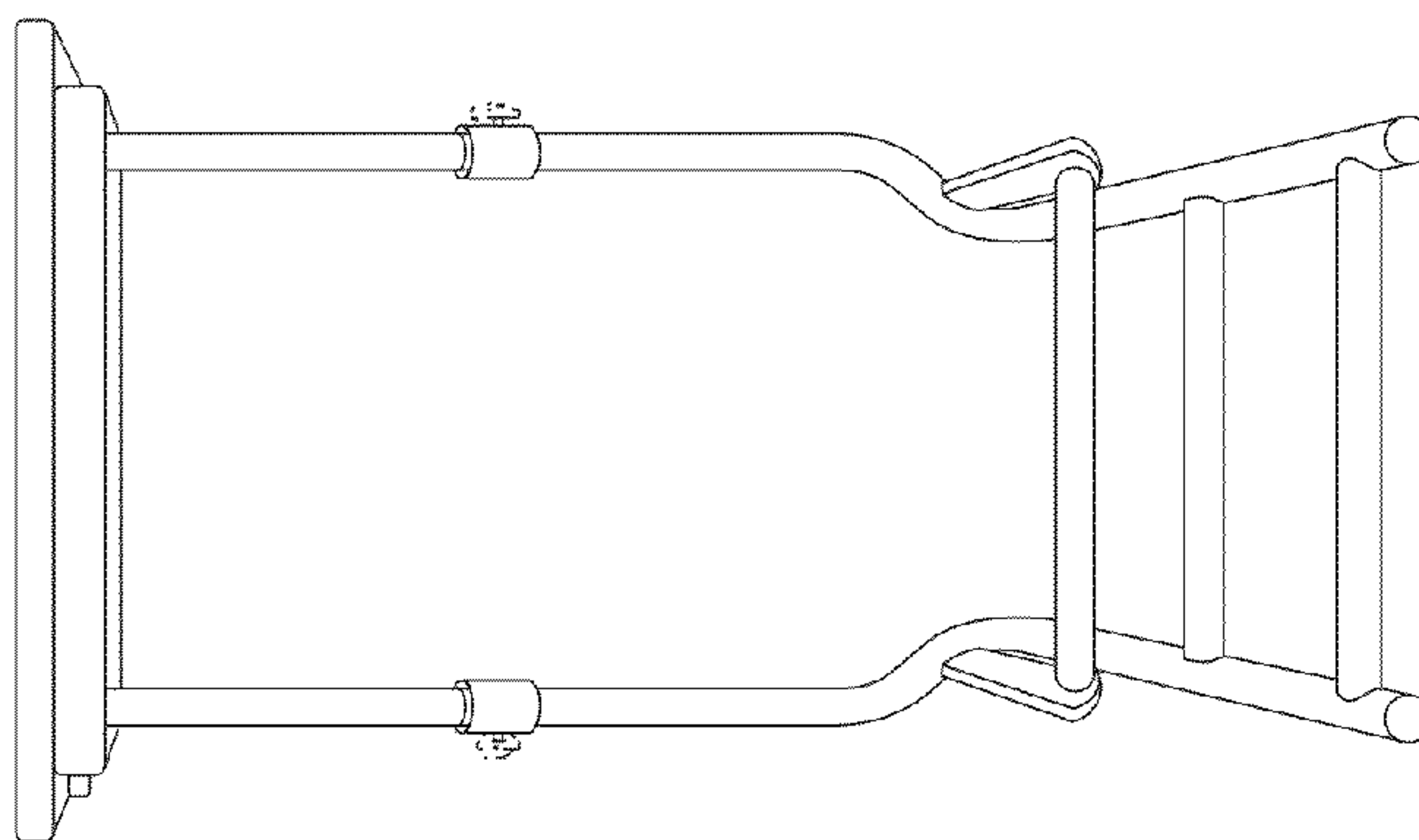


FIG. 1