



US00D734077S

(12) **United States Design Patent**  
**Mori**

(10) **Patent No.:** **US D734,077 S**  
(45) **Date of Patent:** **\*\* Jul. 14, 2015**

(54) **STAND FOR PERCUSSION INSTRUMENTS**

(71) Applicant: **Roland Corporation**, Hamamatsu (JP)

(72) Inventor: **Yoshiaki Mori**, Hamamatsu (JP)

(73) Assignee: **ROLAND CORPORATION**,  
Hamamatsu (JP)

(\*\*) Term: **14 Years**

(21) Appl. No.: **29/448,279**

(22) Filed: **Mar. 11, 2013**

(30) **Foreign Application Priority Data**

Oct. 31, 2012 (CN) ..... 2012 3 0525000  
Dec. 4, 2012 (JP) ..... 2012-029703

(51) **LOC (10) Cl.** ..... **06-06**

(52) **U.S. Cl.**  
USPC ..... **D6/682.5**

(58) **Field of Classification Search**  
USPC ..... D6/419, 406.1, 449, 462, 466, 469, 475,  
D6/675, 678, 678.4, 681, 682, 682.5;  
248/165-167, 453, 460, 284.1, 129;  
211/13.1; 108/115, 139, 144.11, 146

CPC ..... G10G 5/00; G10D 3/00  
See application file for complete search history.

(56) **References Cited**

**U.S. PATENT DOCUMENTS**

4,479,414	A	10/1984	Willis	
5,505,413	A *	4/1996	Hennessey	248/166
D388,262	S *	12/1997	Benting et al.	D6/701
D433,581	S *	11/2000	Miller	D6/708.16
D435,365	S *	12/2000	Eason et al.	D6/681
7,732,692	B2	6/2010	Mori et al.	
D628,830	S *	12/2010	Mono	D6/682.3
2002/0100852	A1 *	8/2002	Eason et al.	248/292.12

2004/0016856	A1 *	1/2004	Wilfer	248/163.1
2010/0181441	A1 *	7/2010	Yu	248/121
2011/0240807	A1 *	10/2011	Moberly	248/176.3
2012/0012717	A1 *	1/2012	Mason	248/122.1
2013/0042745	A1 *	2/2013	Shimada	84/421
2013/0105644	A1 *	5/2013	Yu	248/125.7

**OTHER PUBLICATIONS**

“Road Series Rack: GRS-850DBL”, Gibraltar Hardware, [online][retrieved Jul. 13, 2012] <http://www.gibraltarhardware.com/?fa=detail&mid=264&sid=85&cid=31>.

“Percussion Workshop TD502 Percussion Practice Kit”, Chamberlain Music, [online][retrieved Aug. 9, 2012] <http://www.chamberlainmusic.com/ProductDetail.asp?ProductID=TD502>.

“RS130—Rack System”, Yamaha, [online][retrieved Jul. 13, 2012] <http://asia.yamaha.com/en/products/musical-instruments/drums/el-drums/racksystem/rs130/?mode=model>.

\* cited by examiner

*Primary Examiner* — Kelley Donnelly

(74) *Attorney, Agent, or Firm* — David W. Victor; Konrad Raynes Davda & Victor LLP

(57) **CLAIM**

I claim the ornamental design for a stand for percussion instruments, as shown and described.

**DESCRIPTION**

FIG. 1 is a front elevational view of a stand for percussion instruments;

FIG. 2 is a back elevational view thereof;

FIG. 3 is a right side elevational view thereof;

FIG. 4 is a left side elevational view thereof;

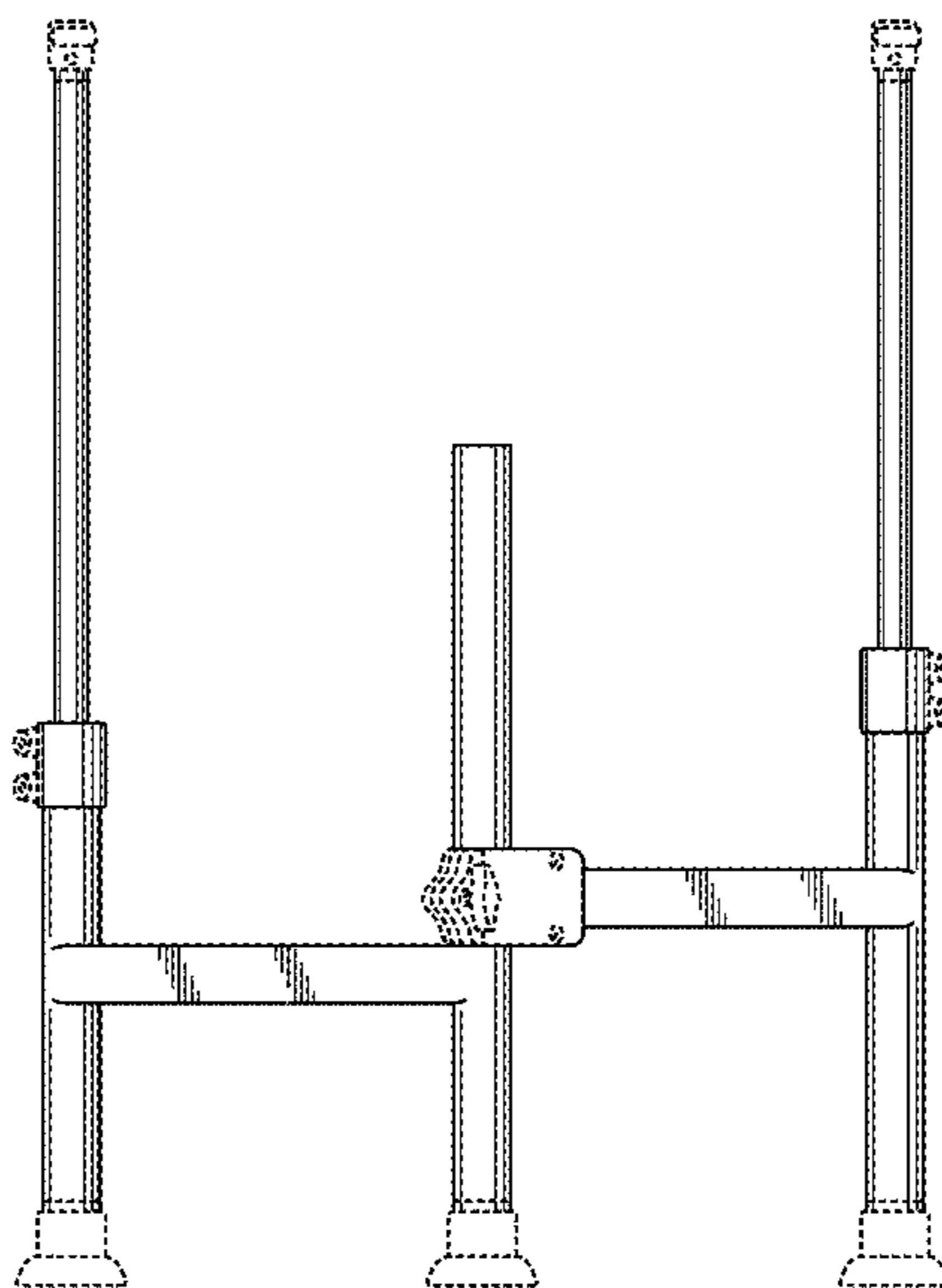
FIG. 5 is a top plan view thereof;

FIG. 6 is a bottom plan view thereof; and,

FIG. 7 is a perspective view thereof.

The broken lines in the drawings are for illustrative purposes only and form no part of the claimed design.

**1 Claim, 5 Drawing Sheets**



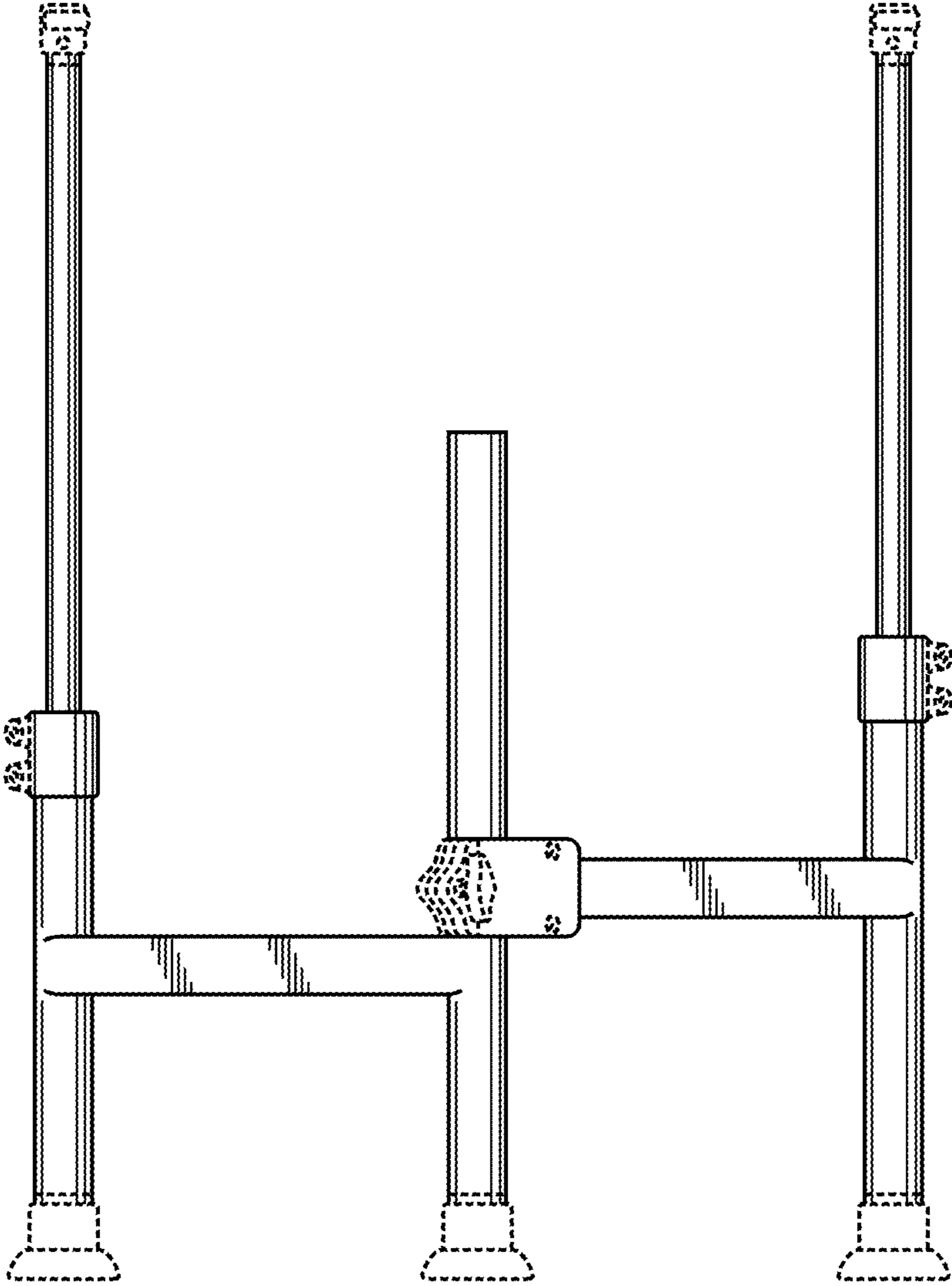


FIG. 1

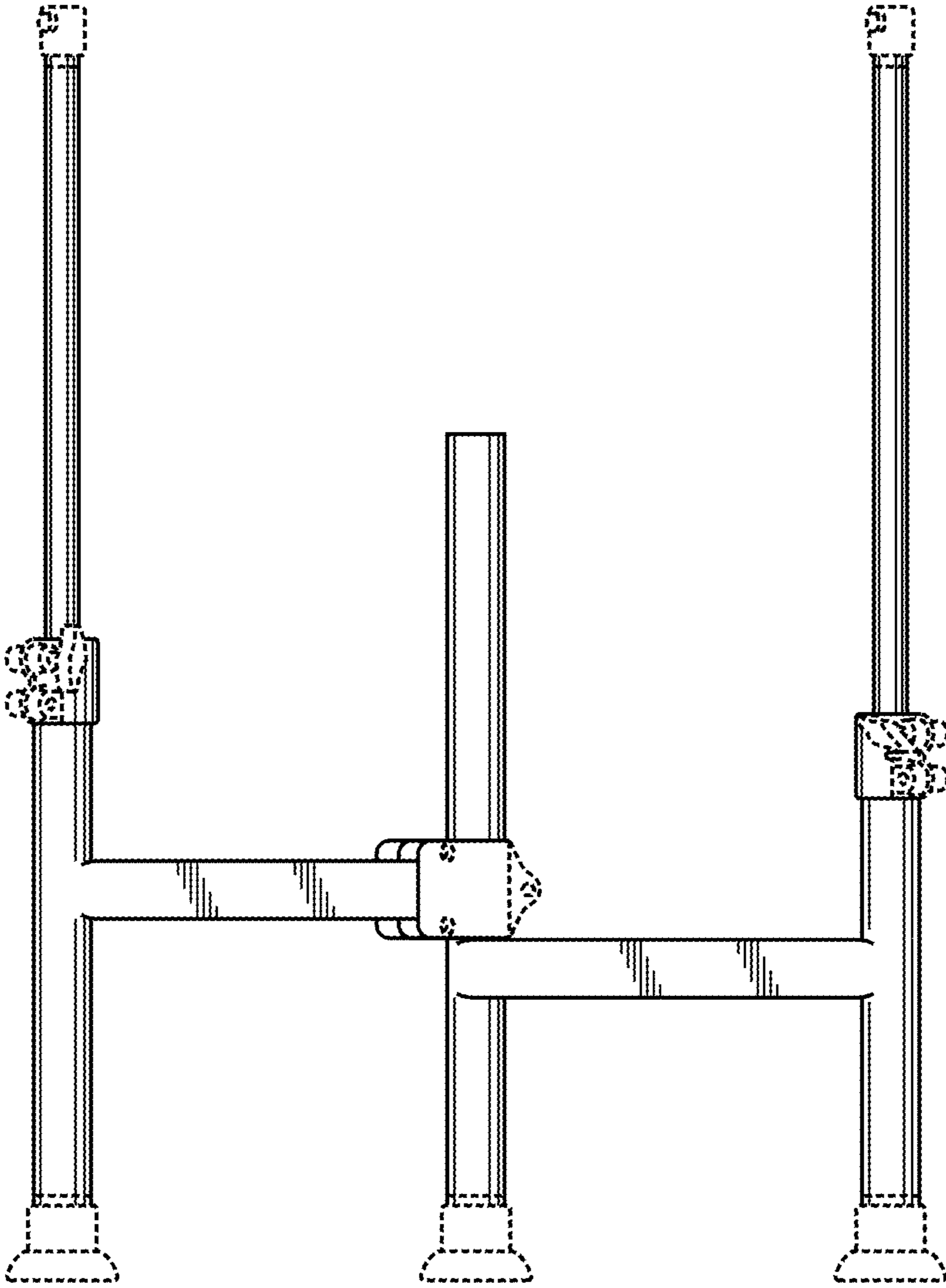


FIG. 2

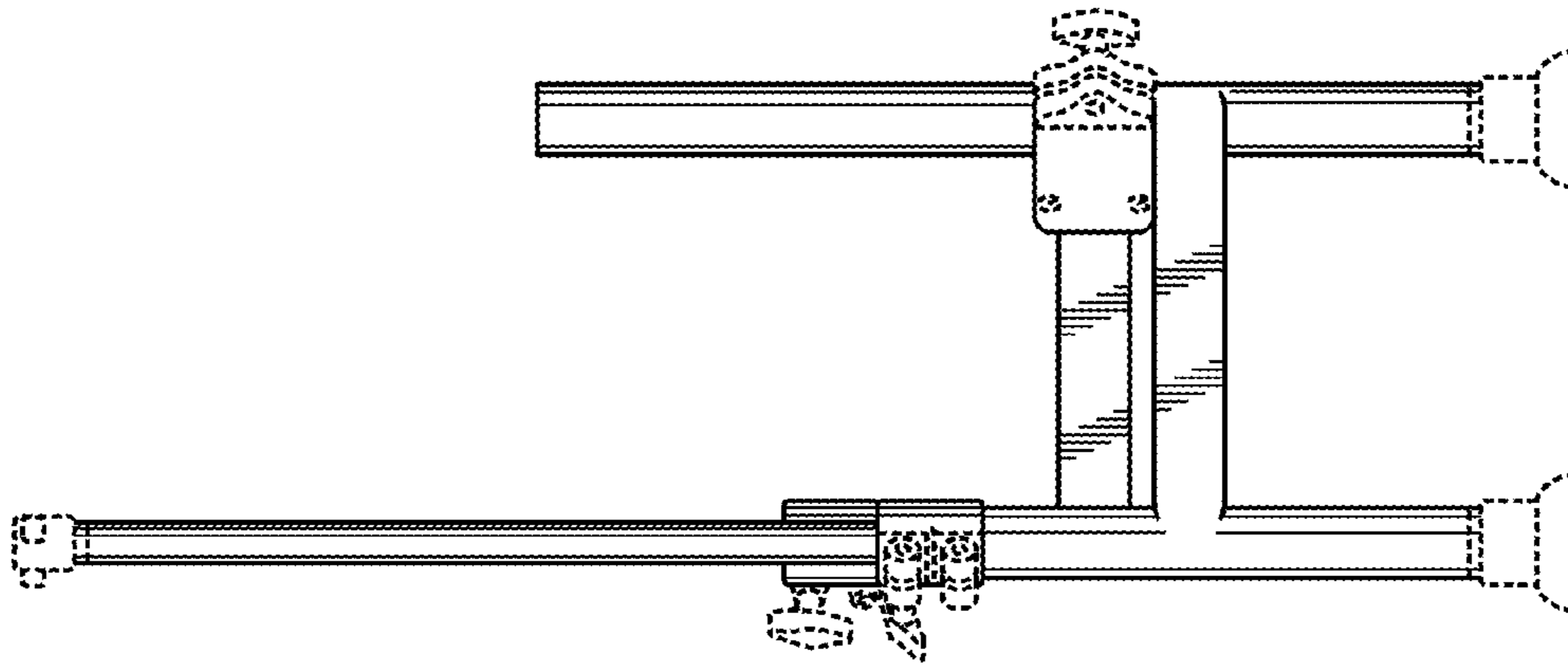


FIG. 4

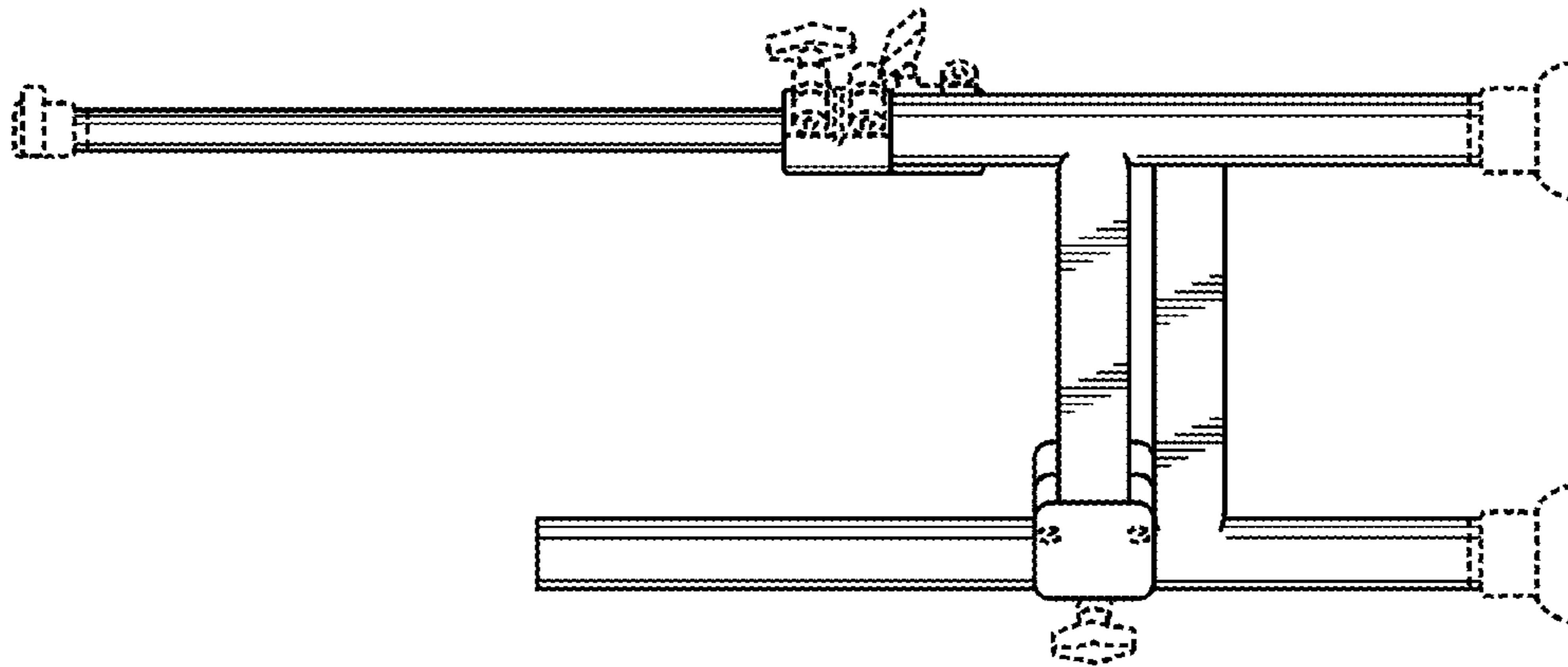


FIG. 3

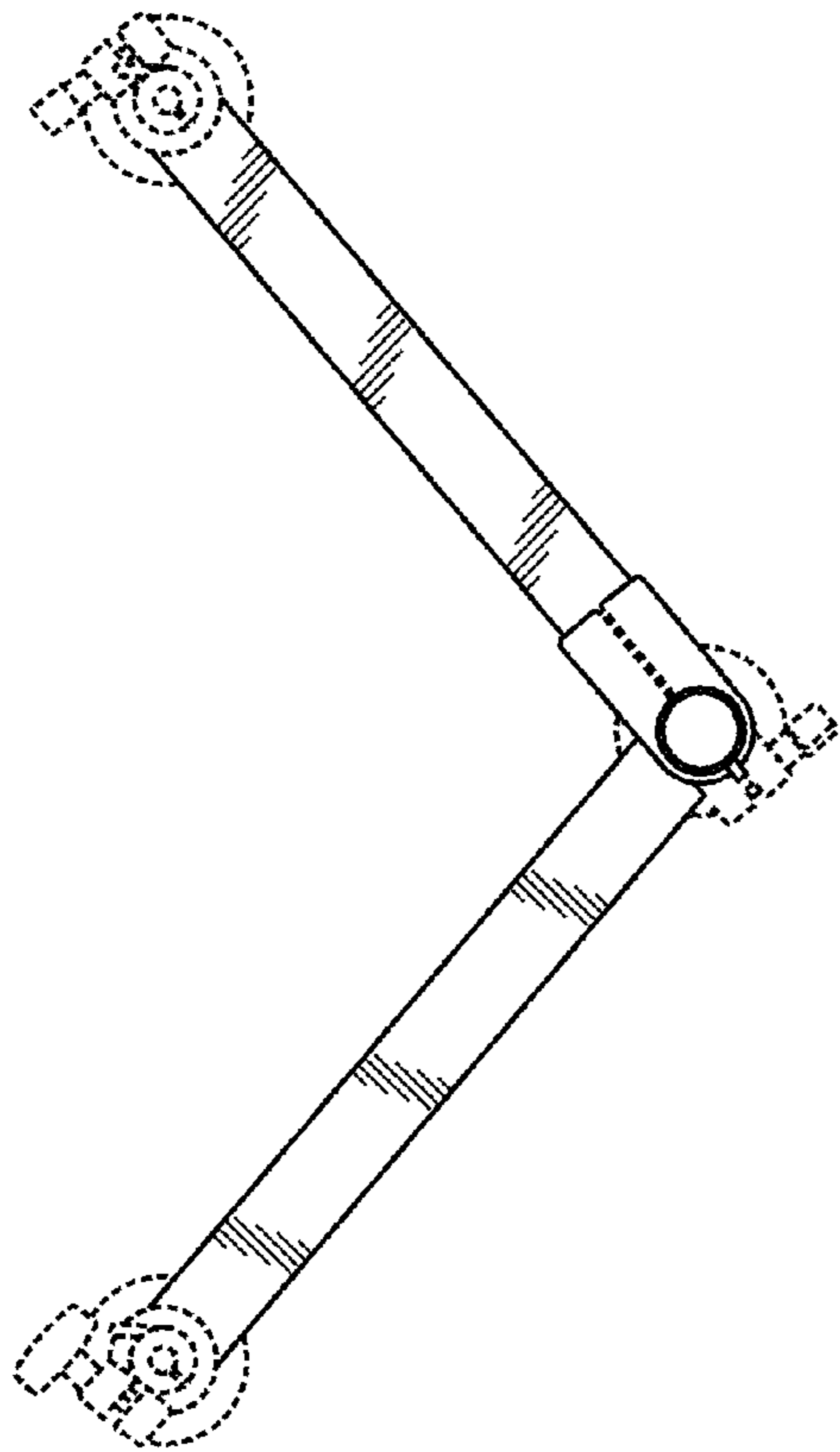


FIG. 5

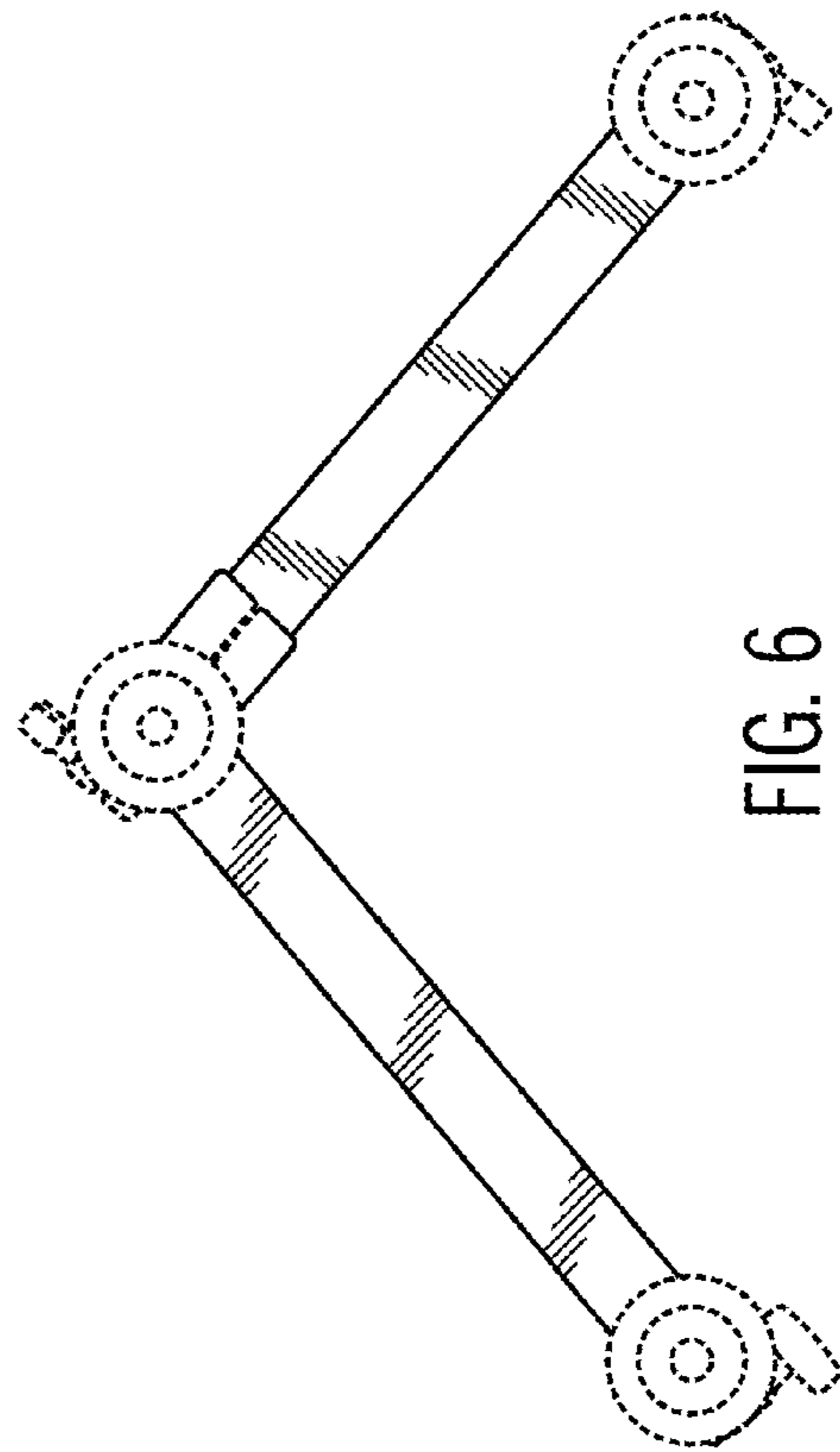


FIG. 6

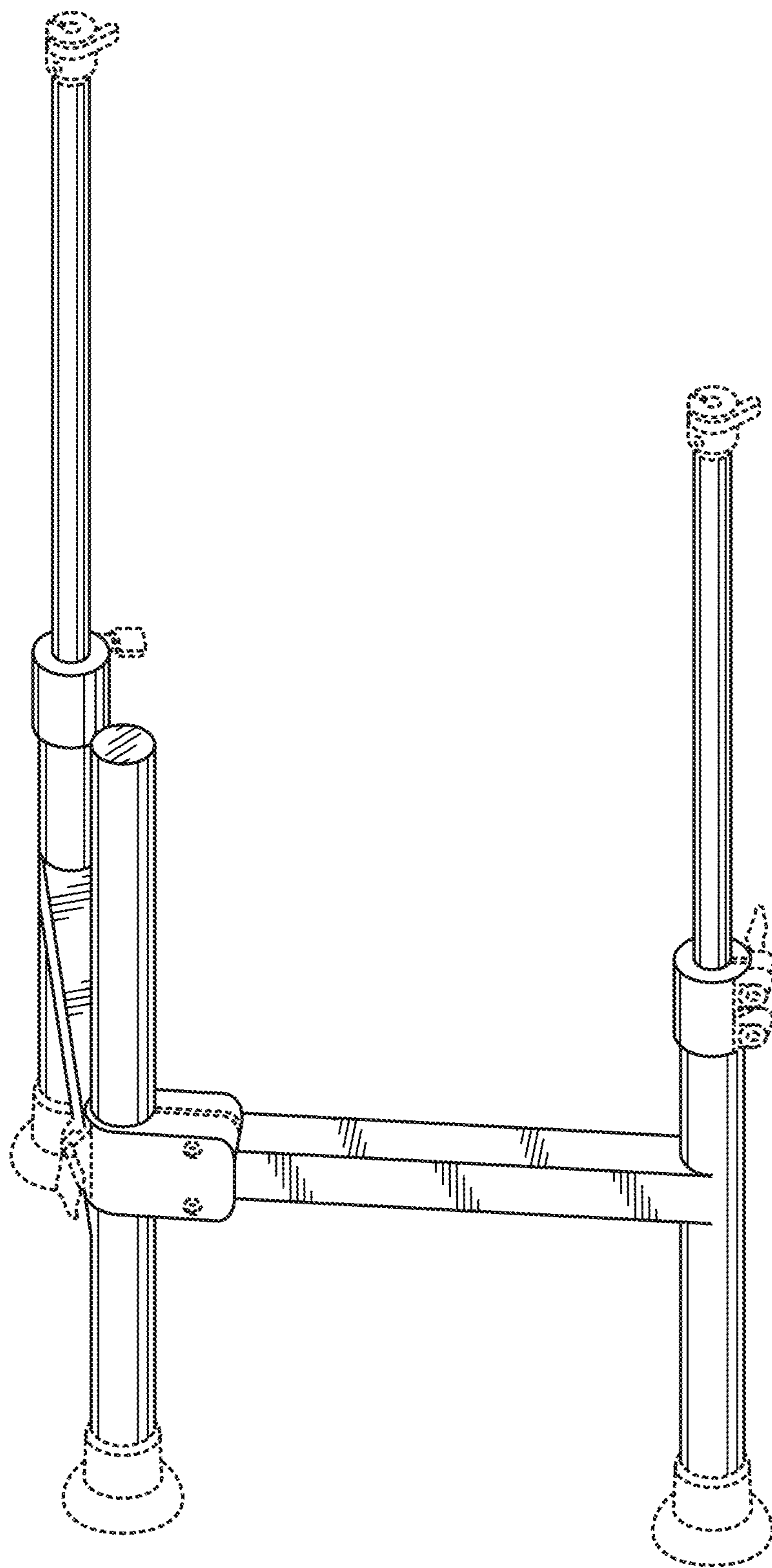


FIG. 7