



US00D734075S

(12) **United States Design Patent**
Tapper

(10) **Patent No.:** **US D734,075 S**
(45) **Date of Patent:** **** Jul. 14, 2015**

(54) **12 COUNT CUPCAKE DISPLAY WITH DIVIDERS**

(71) Applicant: **Simply Social, LLC**, Dallas, TX (US)

(72) Inventor: **Laura J. Tapper**, Dallas, TX (US)

(73) Assignee: **Simply Social, LLC**, Dallas, TX (US)

(**) Term: **14 Years**

(21) Appl. No.: **29/471,603**

(22) Filed: **Nov. 3, 2013**

6,146,673	A *	11/2000	Ferguson	426/115
6,186,351	B1 *	2/2001	Coyle	220/23.83
6,318,030	B1 *	11/2001	McClure et al.	52/136
6,450,341	B1 *	9/2002	Krupa et al.	206/497
6,450,343	B1 *	9/2002	Arnaldi	206/769
6,905,017	B1 *	6/2005	Sarnoff et al.	206/223
D515,363	S *	2/2006	Driggers et al.	D7/610
D553,902	S *	10/2007	Barber	D7/357
D559,613	S *	1/2008	DeMirjian, III	D7/357
D569,677	S *	5/2008	Poon	D7/357
D574,182	S *	8/2008	Shannon et al.	D7/357
D596,447	S *	7/2009	Cubillos	D7/357
D687,645	S *	8/2013	Tapper	D6/672
D692,682	S *	11/2013	Tapper	D6/672
D709,305	S *	7/2014	Tapper	D6/672
D709,306	S *	7/2014	Tapper	D6/672

* cited by examiner

Related U.S. Application Data

(60) Division of application No. 29/409,729, filed on Dec. 28, 2011, now Pat. No. Des. 692,682, which is a continuation-in-part of application No. 29/355,036, filed on Feb. 1, 2010, now abandoned.

(51) **LOC (10) Cl.** **06-07**

(52) **U.S. Cl.**
USPC **D6/672; D9/418; D7/357**

(58) **Field of Classification Search**
USPC D6/672; D7/357, 359, 553.1–553.5, D7/554.8; D9/414, 415, 456, 756, 418; 220/573.1, 573.2; 229/162.2, 162.3; 493/59, 84
CPC B65D 2543/00296; B65D 85/36; B65D 43/162; B65D 2543/00537; B65D 25/108; B65D 1/36; C08L 2666/04; A21B 3/134; A21B 3/132; A21B 3/13; A47J 47/14
See application file for complete search history.

(56) **References Cited**

U.S. PATENT DOCUMENTS

D255,085	S *	5/1980	Free et al.	D7/368
5,912,033	A *	6/1999	Ferguson	426/124
5,967,323	A *	10/1999	Siragusa	206/499
6,003,671	A *	12/1999	McDonough et al.	206/493
D423,864	S *	5/2000	Chang et al.	D7/323

Primary Examiner — Phillip S Hyder

Assistant Examiner — Jennifer Watkins

(74) *Attorney, Agent, or Firm* — Chainey P. Singleton

(57) **CLAIM**

The ornamental design for a 12 count cupcake display with dividers, as shown and described.

DESCRIPTION

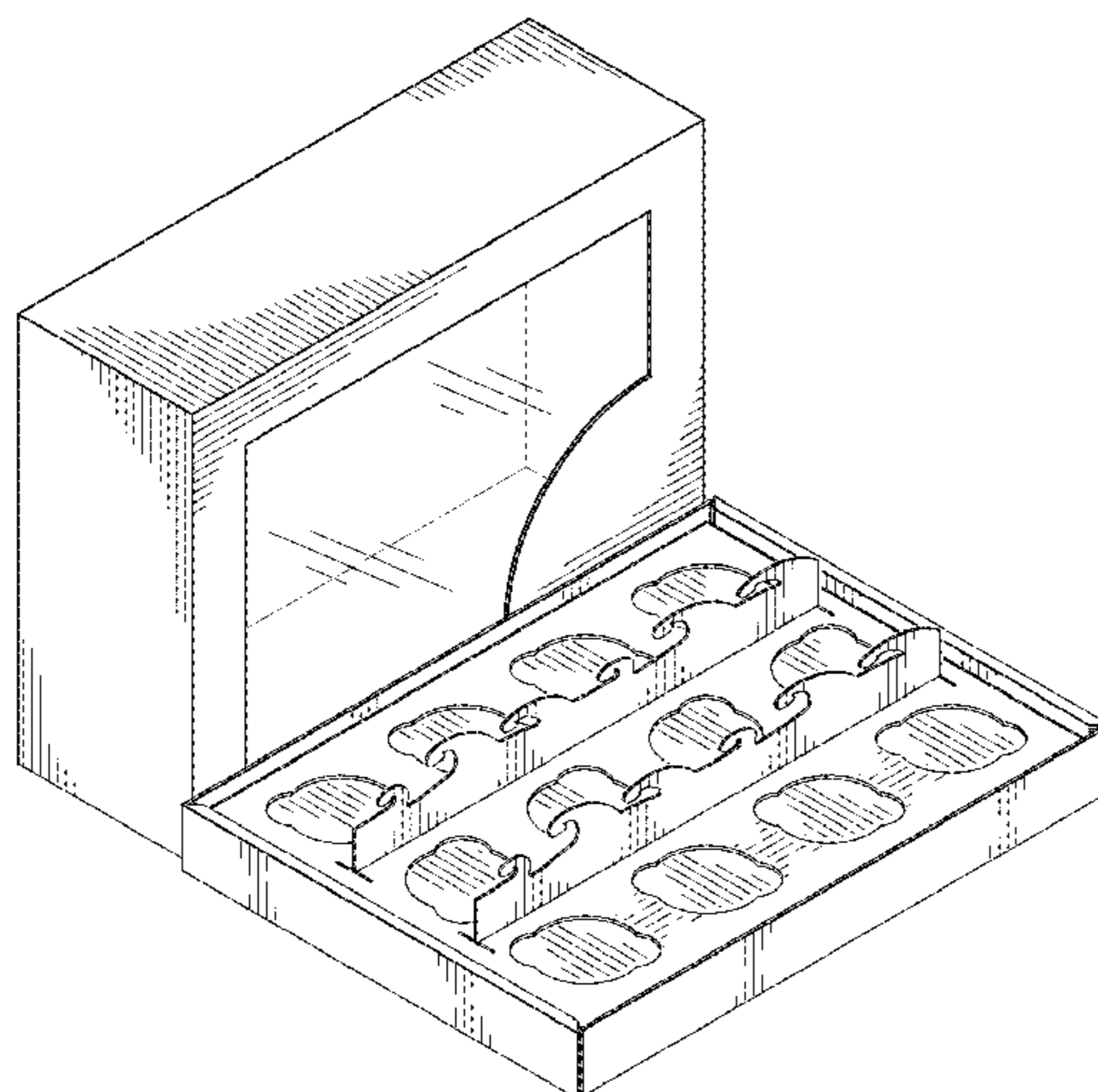
FIG. 1 is a perspective view of a 12 count cupcake display with dividers showing my new design, wherein the lid portion of the display is omitted from the view;

FIG. 2 is a perspective view of the 12 count cupcake display with dividers, wherein the box top is positioned atop the cupcake tray; and,

FIG. 3 is a perspective view of the 12 count cupcake display with dividers, wherein the box top is positioned behind the cupcake tray.

The nature and intended use of the article in which the design is embodied is a 12 count cupcake transport and display. The cupcake display includes a low cupcake insert configured to hold 12 cupcakes and of a height to display the cupcakes. The low cupcake insert is positioned in a low cupcake tray.

1 Claim, 2 Drawing Sheets



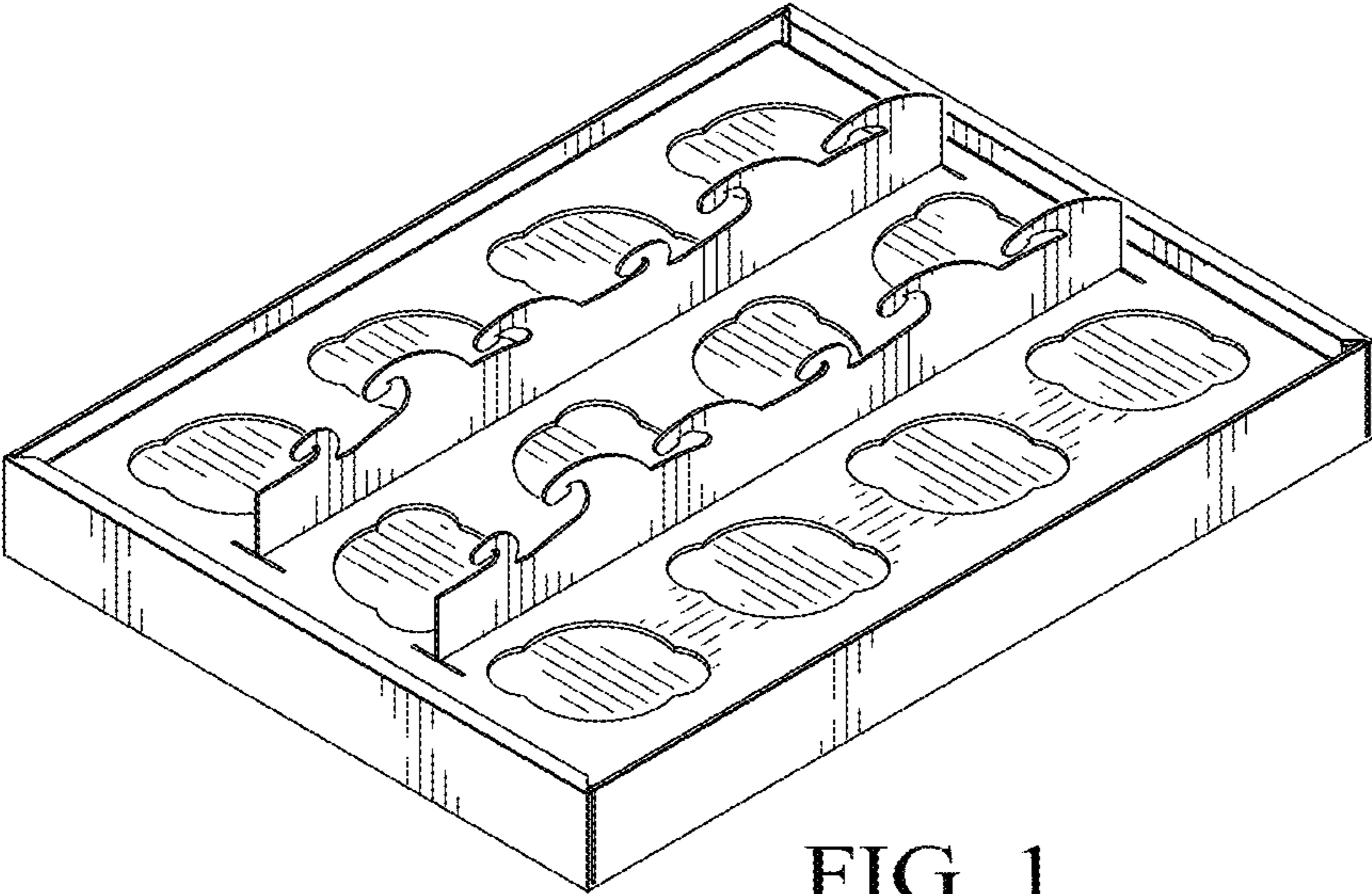


FIG. 1

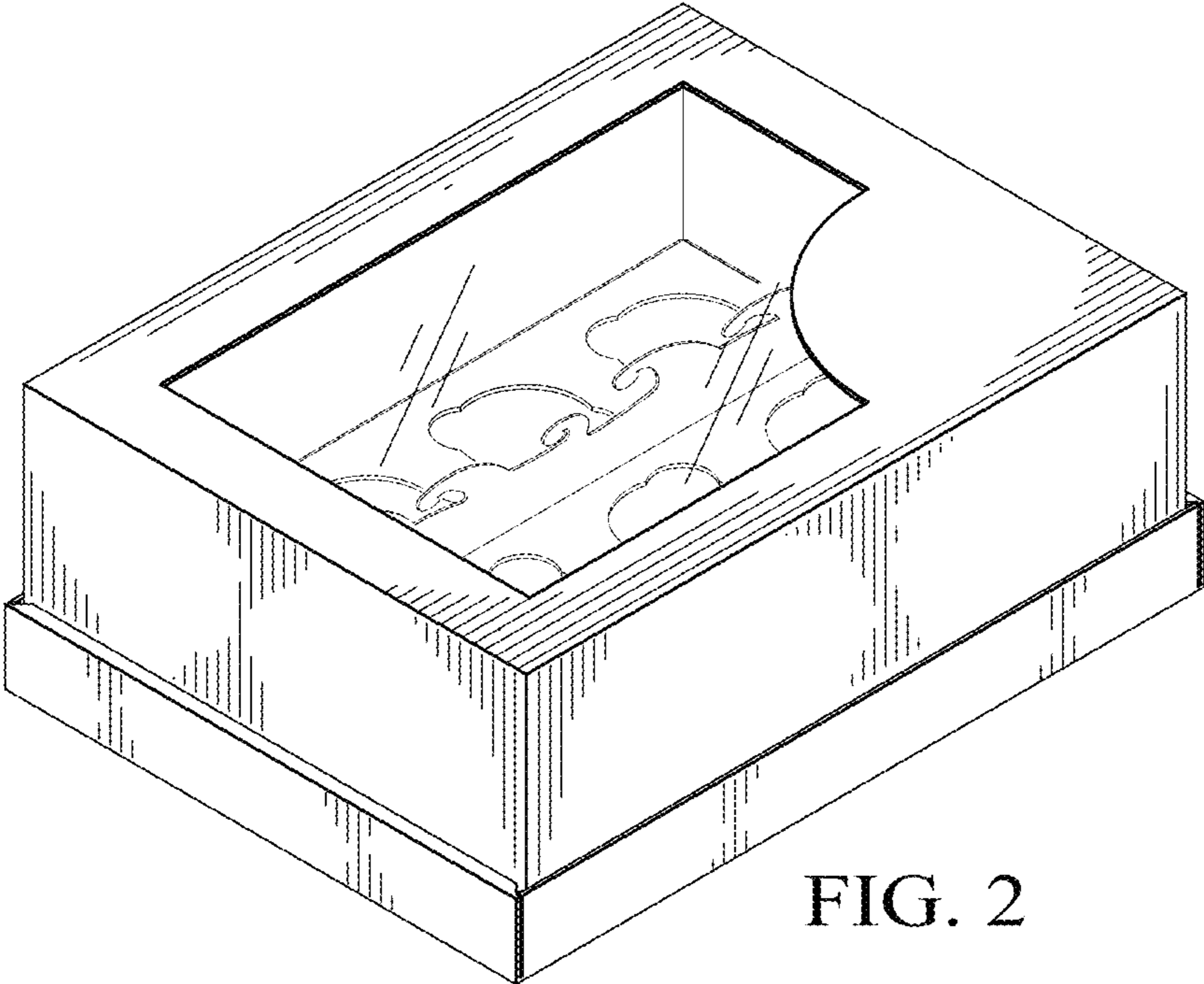


FIG. 2

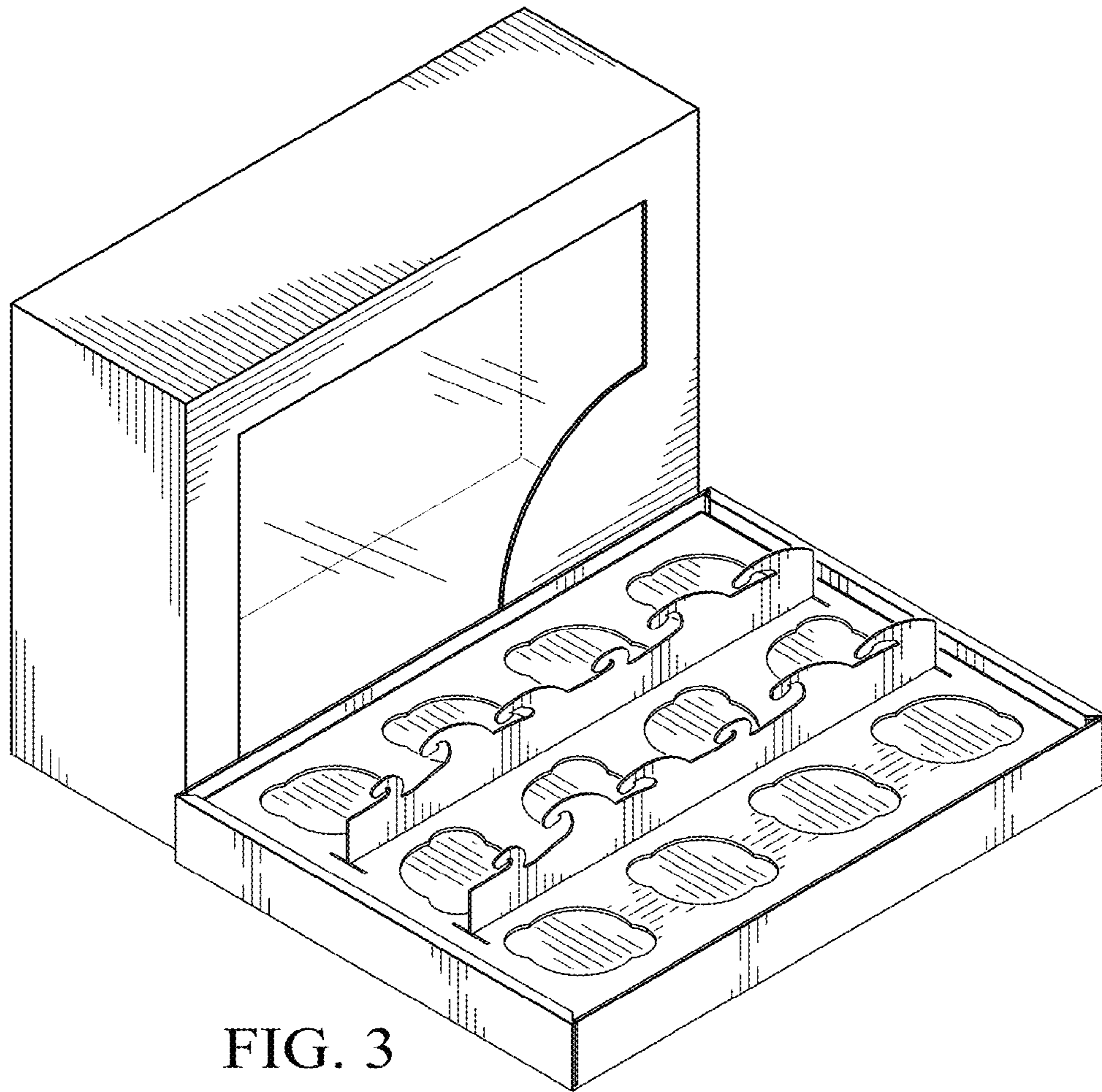


FIG. 3