



US00D734066S

(12) **United States Design Patent**
Park et al.

(10) **Patent No.:** **US D734,066 S**
(45) **Date of Patent:** **** Jul. 14, 2015**

(54) **TABLE**

(71) Applicant: **Samsung Electronics Co., Ltd.**,
Suwon-Si, Gyeonggi-Do (KR)
(72) Inventors: **Jungmi Park**, Seoul (KR); **Soon**
Danielle Yang, Seoul (KR); **Kyung Ah**
Cho, Seoul (KR); **SuYeon Son**, Seoul
(KR)
(73) Assignee: **Samsung Electronics Co., Ltd.**,
Gyeonggi-do (KR)
(**) Term: **14 Years**

(21) Appl. No.: **29/455,125**
(22) Filed: **May 17, 2013**

(30) **Foreign Application Priority Data**

Dec. 13, 2012 (KR) 30-2012-0060264
(51) **LOC (10) Cl.** **06-03**
(52) **U.S. Cl.**
USPC **D6/656.15**; D14/305
(58) **Field of Classification Search**
USPC D6/641, 642, 643, 656, 656.1, 656.13,
D6/656.14, 656.15, 656.16, 656.17, 708,
D6/709, 709.2; D14/305; 108/50.01,
108/50.02, 25; 248/188, 188.1, 188.8;
312/194-196, 223.3
CPC A47B 13/16; A47B 37/00; A47B 21/00;
A47B 21/0314; A47B 21/0073; A47B
21/0076; A37B 3/02
See application file for complete search history.

(56) **References Cited**

U.S. PATENT DOCUMENTS

D254,747 S * 4/1980 O'Meara D21/677
D471,035 S * 3/2003 Schwanke et al. D6/486
8,177,174 B2 * 5/2012 Griepentrog 248/125.2
D687,657 S * 8/2013 Ruiter et al. D6/656.15
2013/0081559 A1 * 4/2013 Roh 108/50.02

* cited by examiner

Primary Examiner — Janice Seeger

(74) *Attorney, Agent, or Firm* — Harness, Dickey & Pierce

(57) **CLAIM**

The ornamental design for a table, as shown and described.

DESCRIPTION

FIG. 1 is the front/right-side/top perspective view of a table showing our new design;
FIG. 2 is the front elevational view thereof;
FIG. 3 is the rear elevational view thereof;
FIG. 4 is the left-side elevational view thereof;
FIG. 5 is the right-side elevational view thereof;
FIG. 6 is the top-side plan view thereof;
FIG. 7 is the bottom-side plan view thereof; and,
FIG. 8 illustrates the table of FIG. 1 with a display panel rising from the table.
The broken lines shown in the drawings represent unclaimed portions.

1 Claim, 7 Drawing Sheets

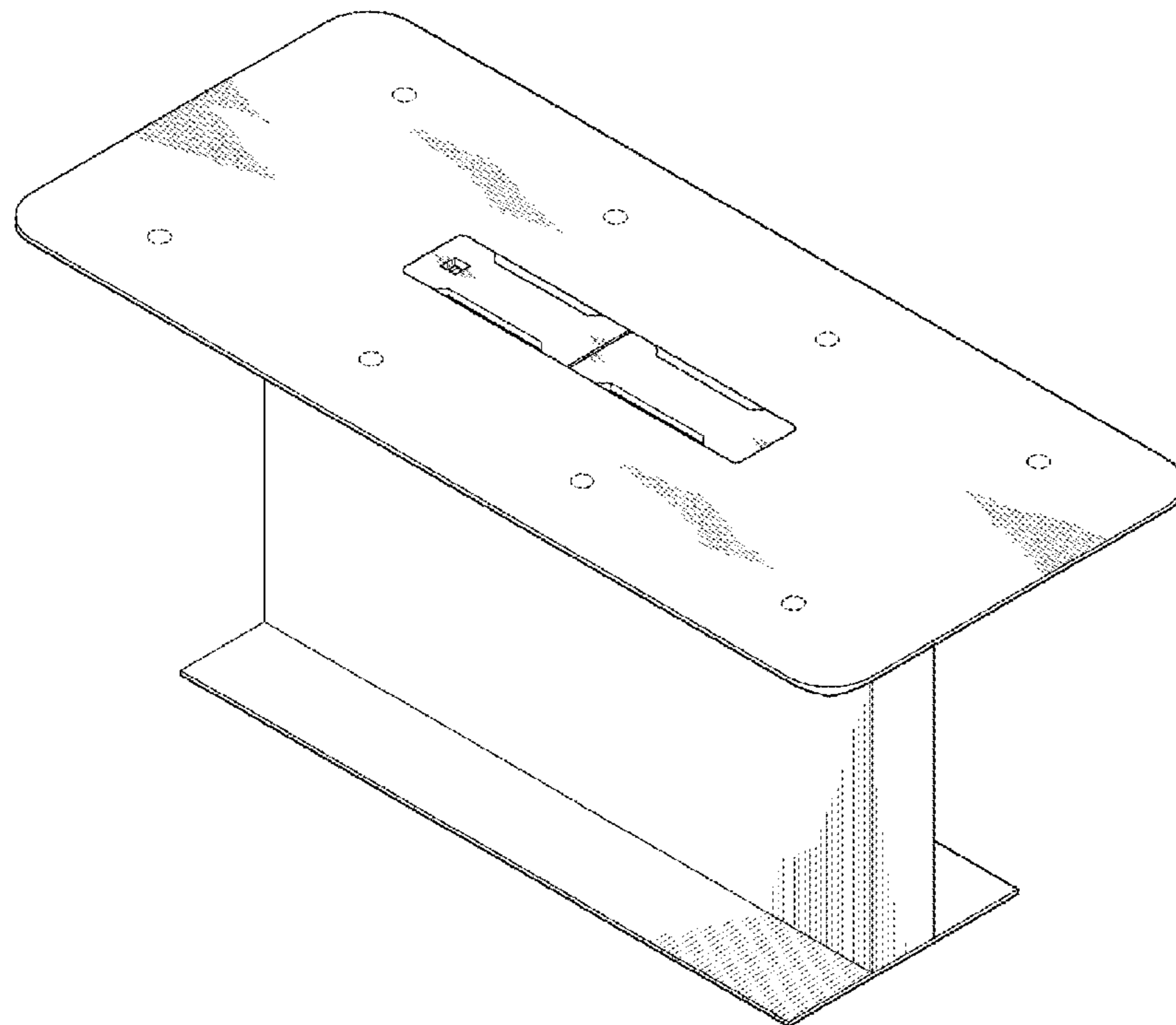


FIG. 1

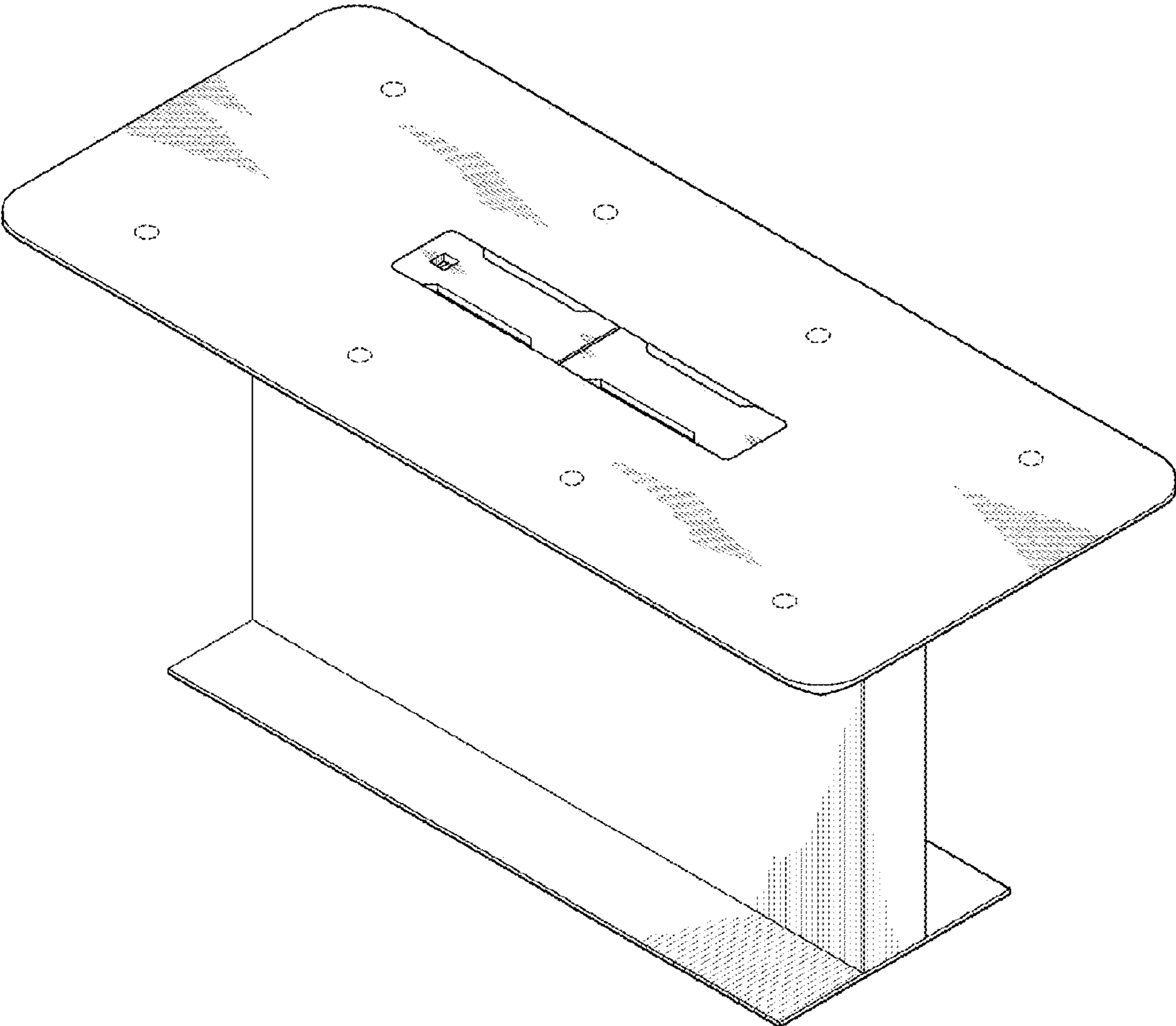


FIG. 2

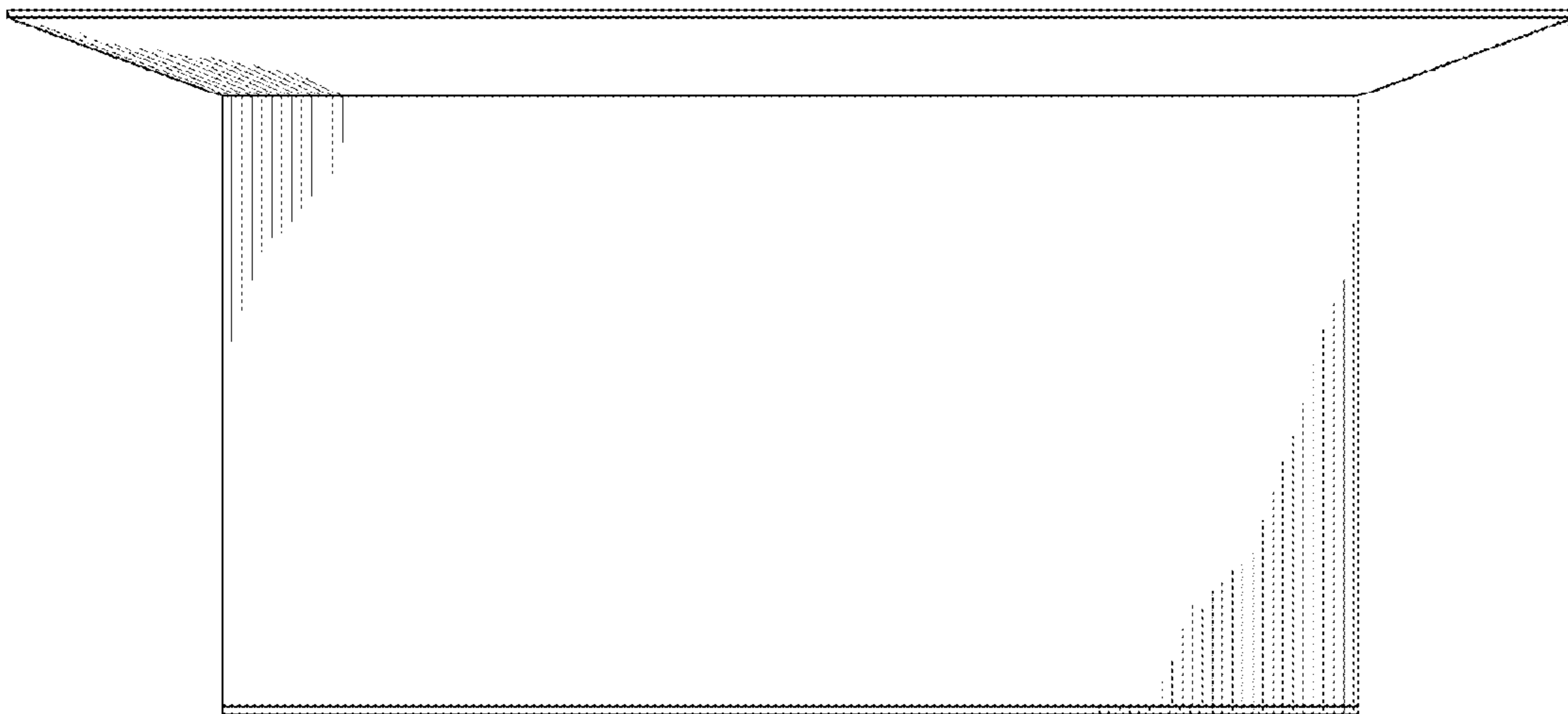


FIG. 3

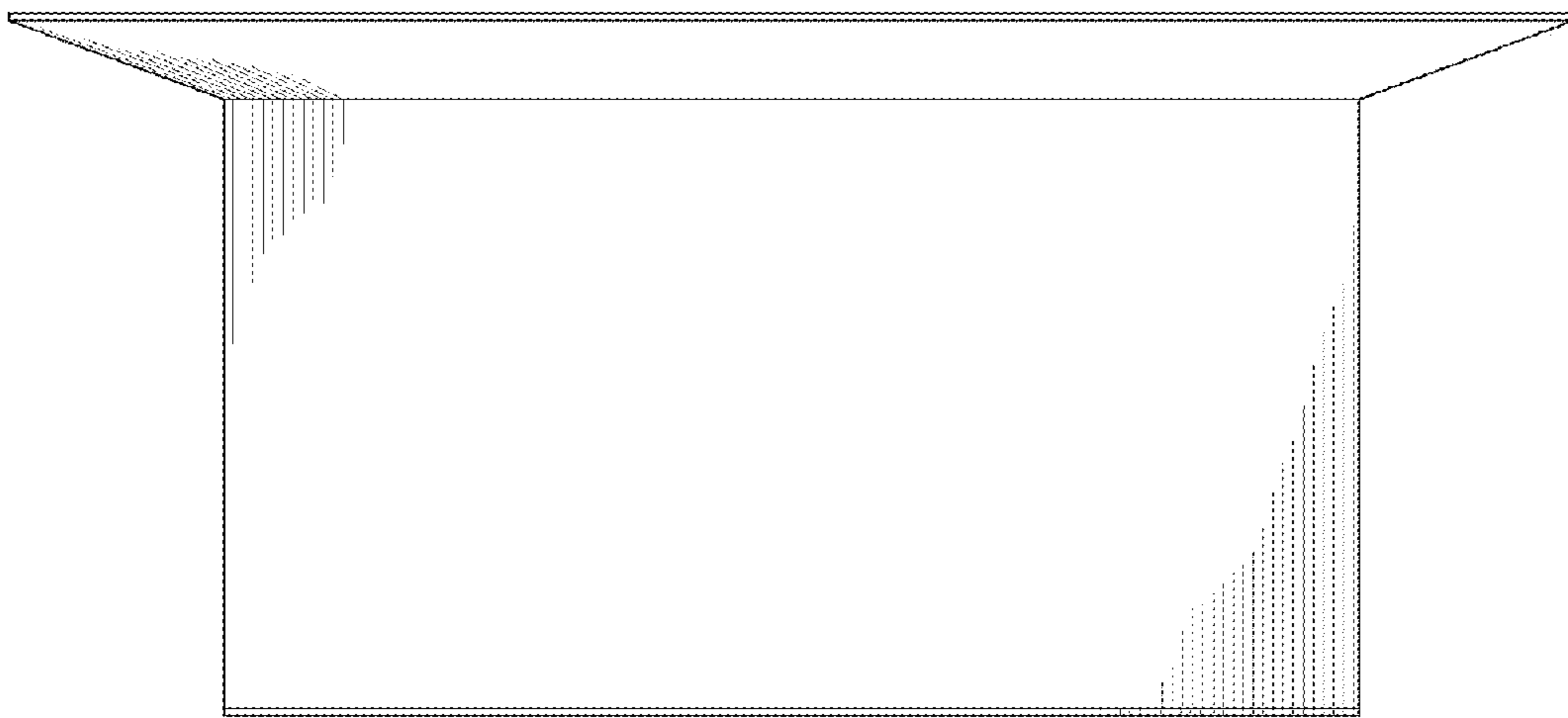


FIG. 4

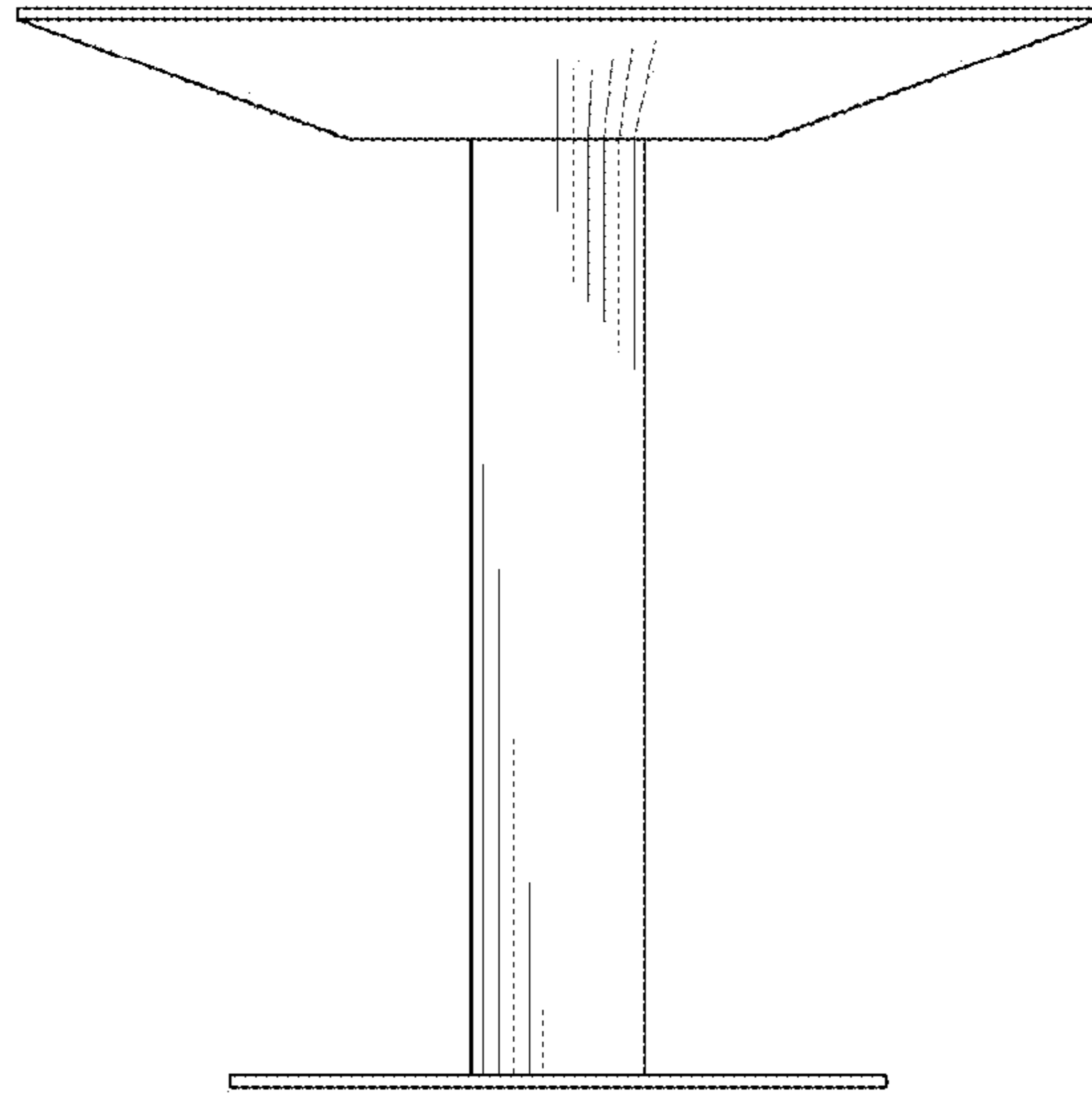


FIG. 5

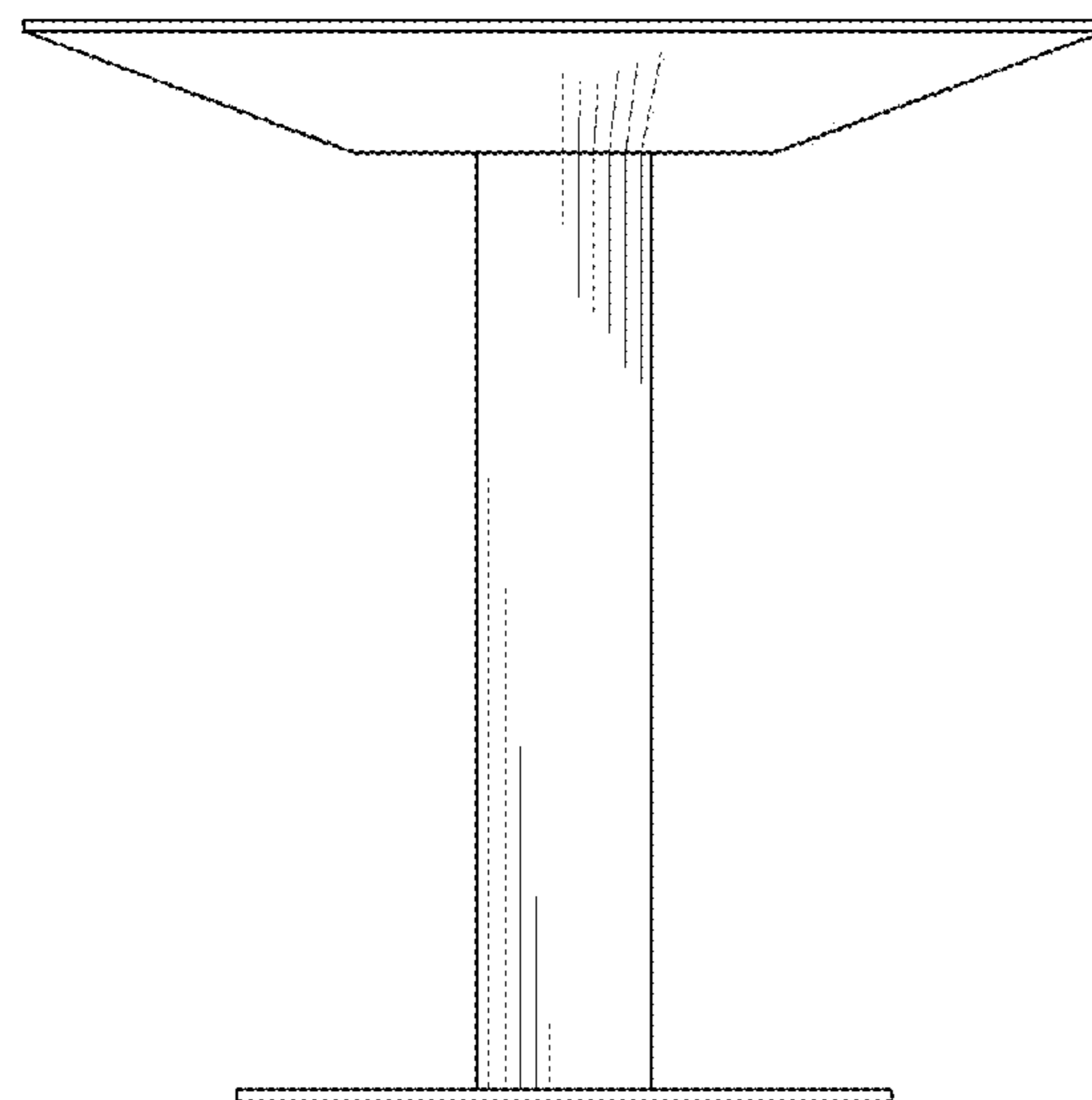


FIG. 6

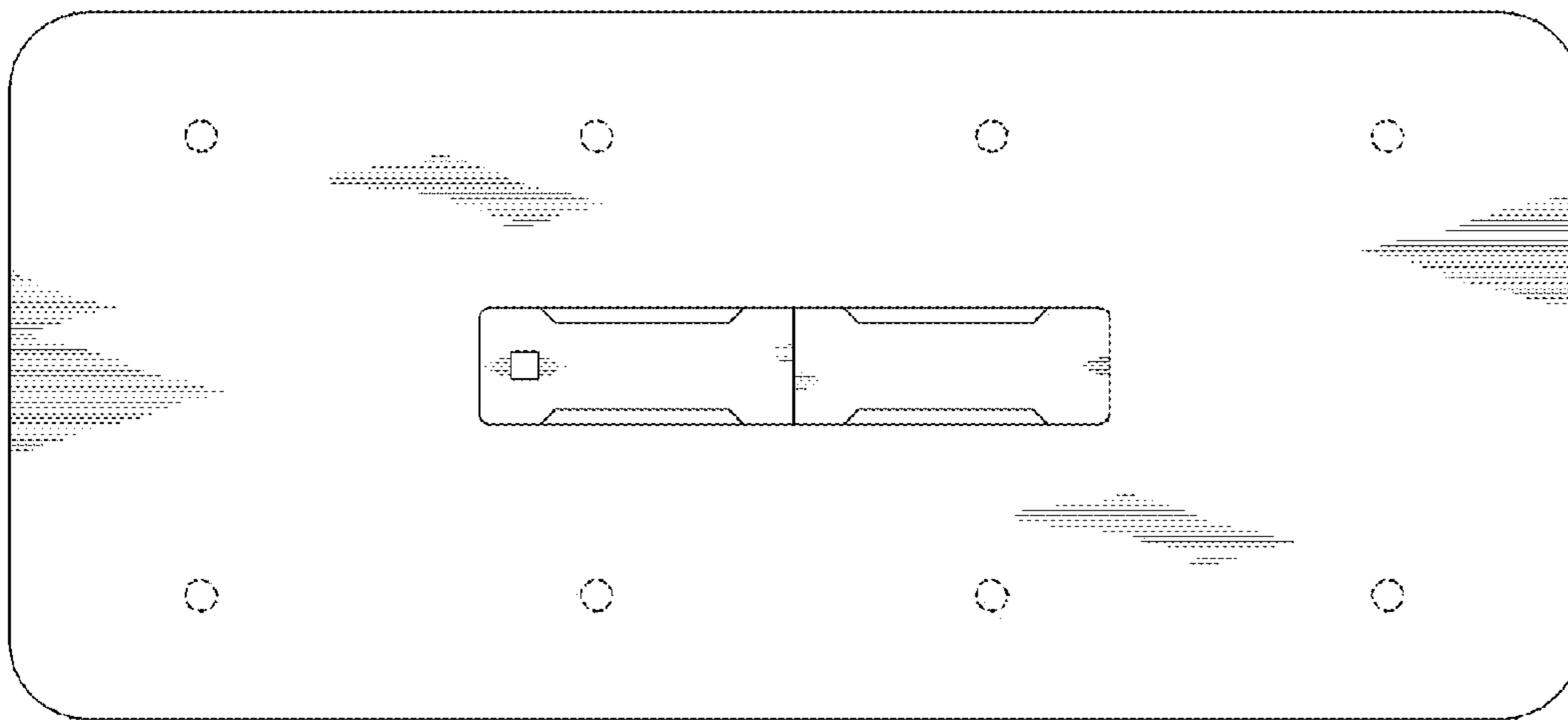


FIG. 7

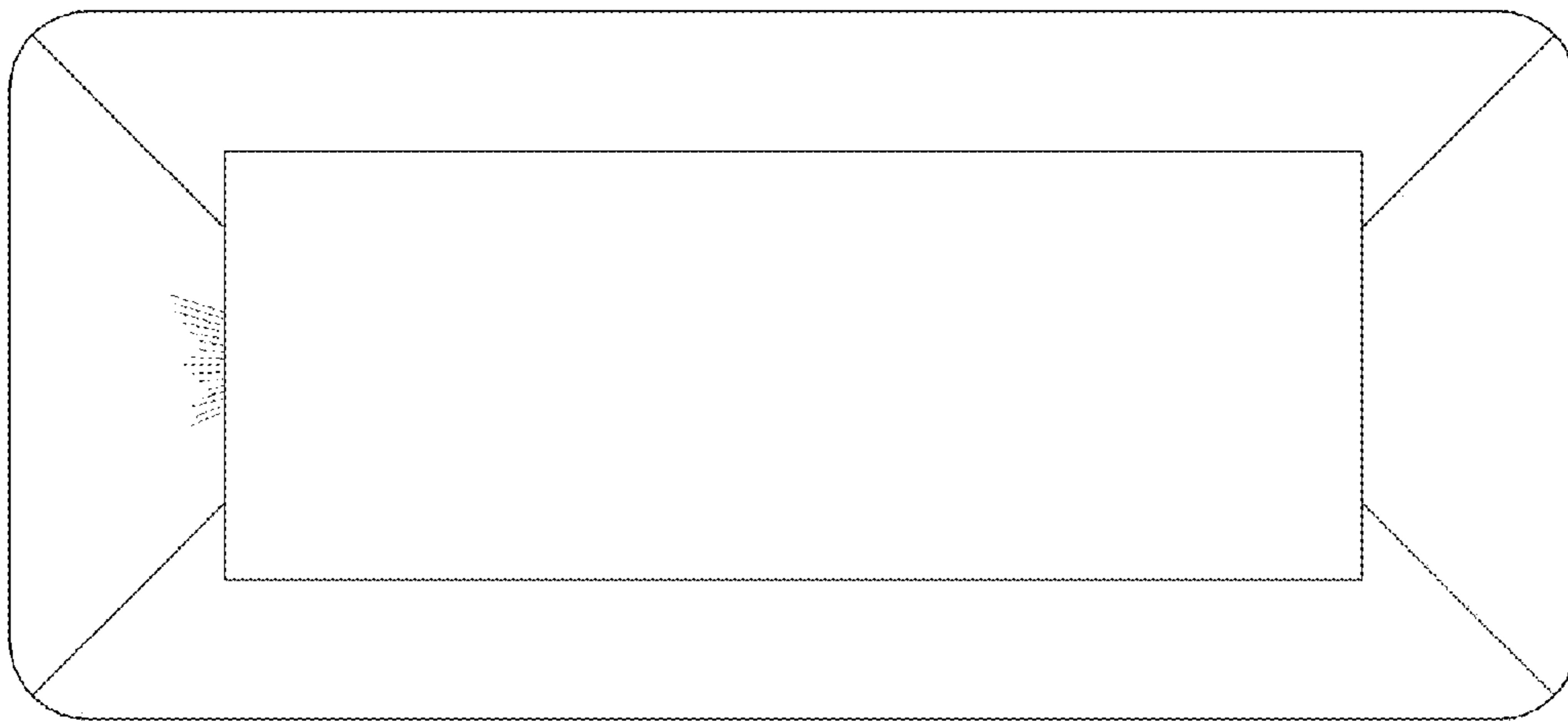


FIG. 8

